



US00D970326S

(12) **United States Design Patent** (10) **Patent No.:** **US D970,326 S**  
**Wu** (45) **Date of Patent:** **\*\* Nov. 22, 2022**

(54) **CLAMP MOUNT**

(71) Applicant: **ZhiQin Wu**, Heyuan (CN)

(72) Inventor: **ZhiQin Wu**, Heyuan (CN)

(\*\*) Term: **15 Years**

(21) Appl. No.: **29/835,099**

(22) Filed: **Apr. 15, 2022**

(51) **LOC (13) Cl.** ..... **08-05**

(52) **U.S. Cl.**  
USPC ..... **D8/72**

(58) **Field of Classification Search**  
USPC ..... D8/71-74, 394-399, 59  
CPC ..... B25B 1/00; B25B 5/00  
See application file for complete search history.

(56) **References Cited**

**U.S. PATENT DOCUMENTS**

D350,683 S *	9/1994	Tessman	.....	D8/72
D356,721 S *	3/1995	Tessman	.....	D8/72
D364,792 S *	12/1995	Yoder	.....	D8/394
D393,998 S *	5/1998	Anderson	.....	D8/394
D429,984 S *	8/2000	Cummings	.....	D8/72
D599,184 S *	9/2009	Johnson	.....	D8/72
D725,462 S *	3/2015	Zilisch	.....	D8/398
D736,073 S *	8/2015	Eriksson	.....	D8/394
D813,657 S *	3/2018	Bowman	.....	D8/395

D863,051 S *	10/2019	Bancroft	.....	D23/262
D870,547 S *	12/2019	Liao	.....	D8/394
D898,537 S *	10/2020	Christensen	.....	D8/72
D911,158 S *	2/2021	Jenkins	.....	D8/382
D938,270 S	12/2021	Hall		
D955,210 S *	6/2022	Chen	.....	D8/394

\* cited by examiner

*Primary Examiner* — David G Muller

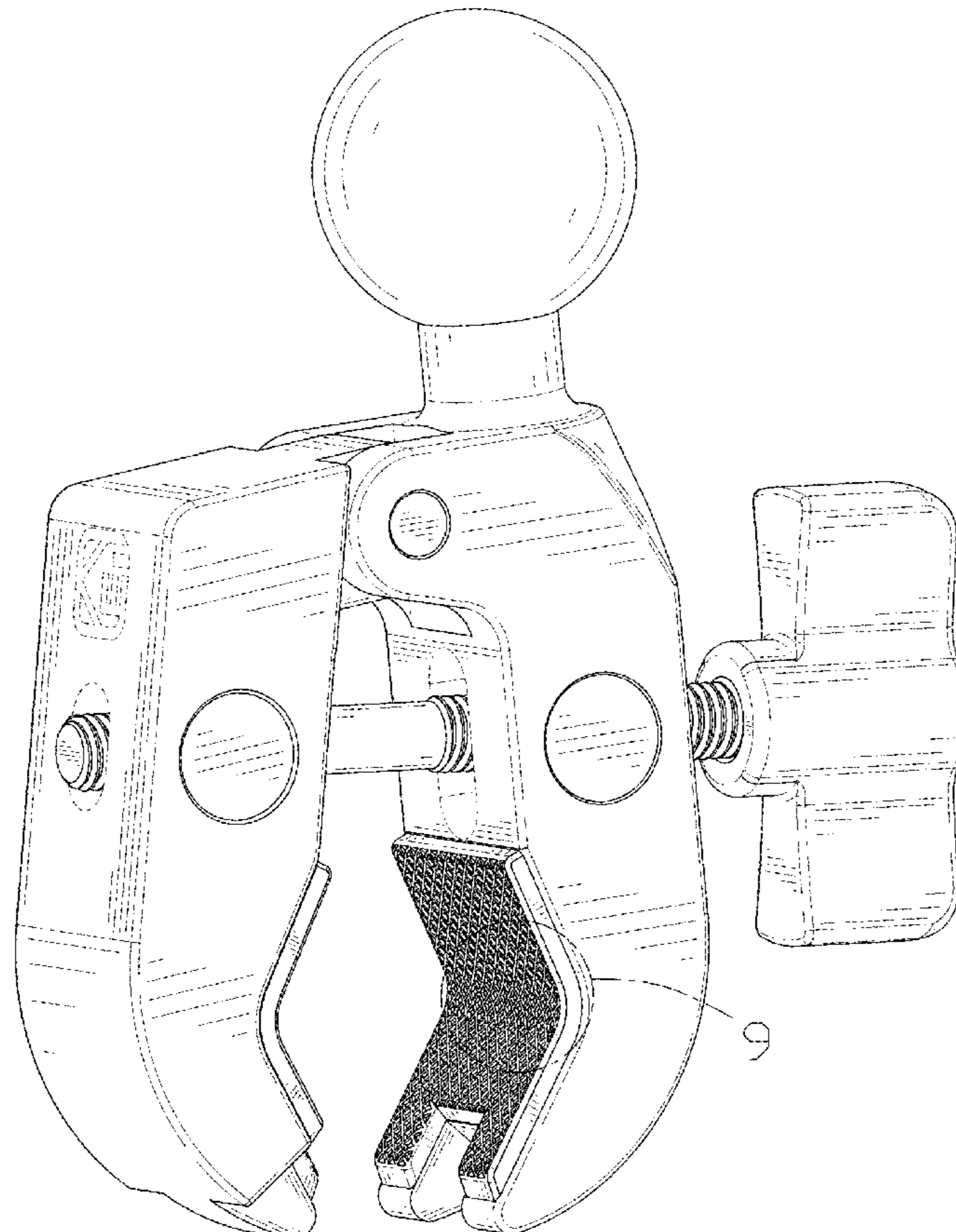
(57) **CLAIM**

The ornamental design for a clamp mount, as shown and described.

**DESCRIPTION**

FIG. 1 is a front and top perspective view of a clamp mount, showing my new design;  
 FIG. 2 is a rear and bottom perspective view thereof;  
 FIG. 3 is a front elevation view thereof;  
 FIG. 4 is a rear elevation view thereof;  
 FIG. 5 is a left side elevation view thereof;  
 FIG. 6 is a right side elevation view thereof;  
 FIG. 7 is a top plan view thereof;  
 FIG. 8 is a bottom plan view thereof;  
 FIG. 9 is an enlarged view of portion 9 shown in FIG. 1; and,  
 FIG. 10 is an enlarged view of portion 10 shown in FIG. 2.  
 The broken lines in the figures illustrate portions of the clamp mount that form no part of the claimed design. The dash dot dash lines in FIGS. 1, 2, 9 and 10 are for the purpose of depicting the boundary lines of the enlarged views and form no part of the claimed design.

**1 Claim, 10 Drawing Sheets**



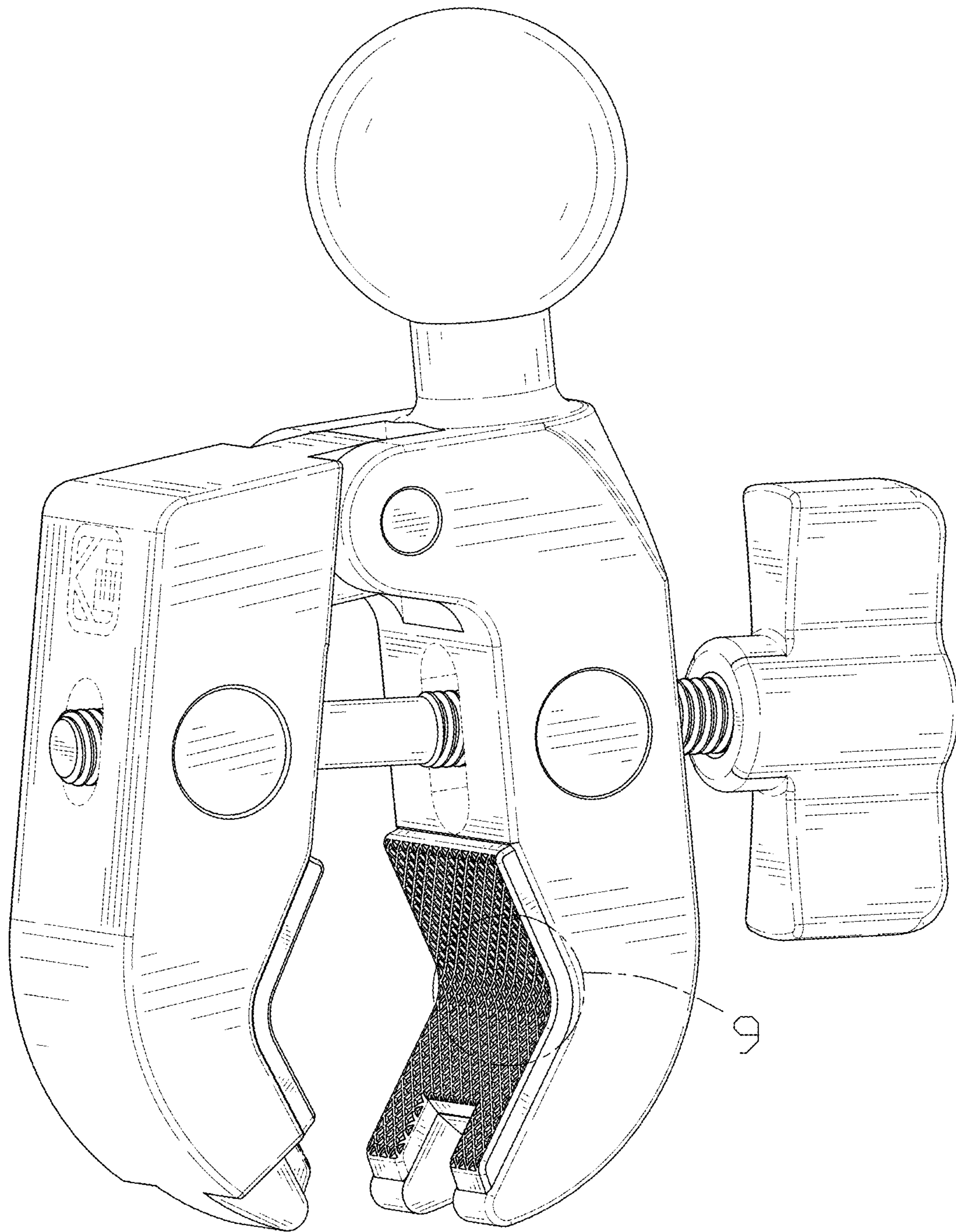


FIG. 1

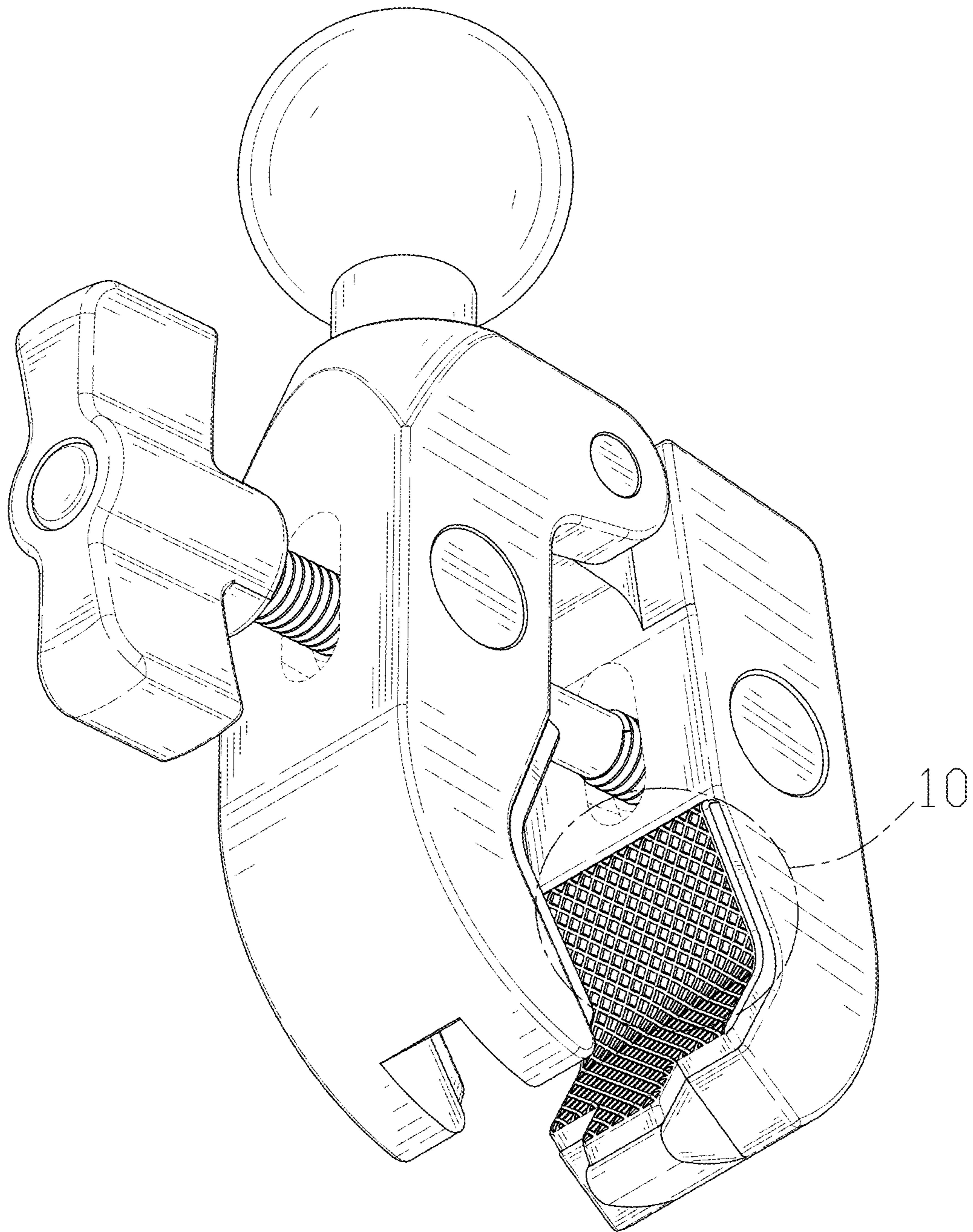


FIG. 2

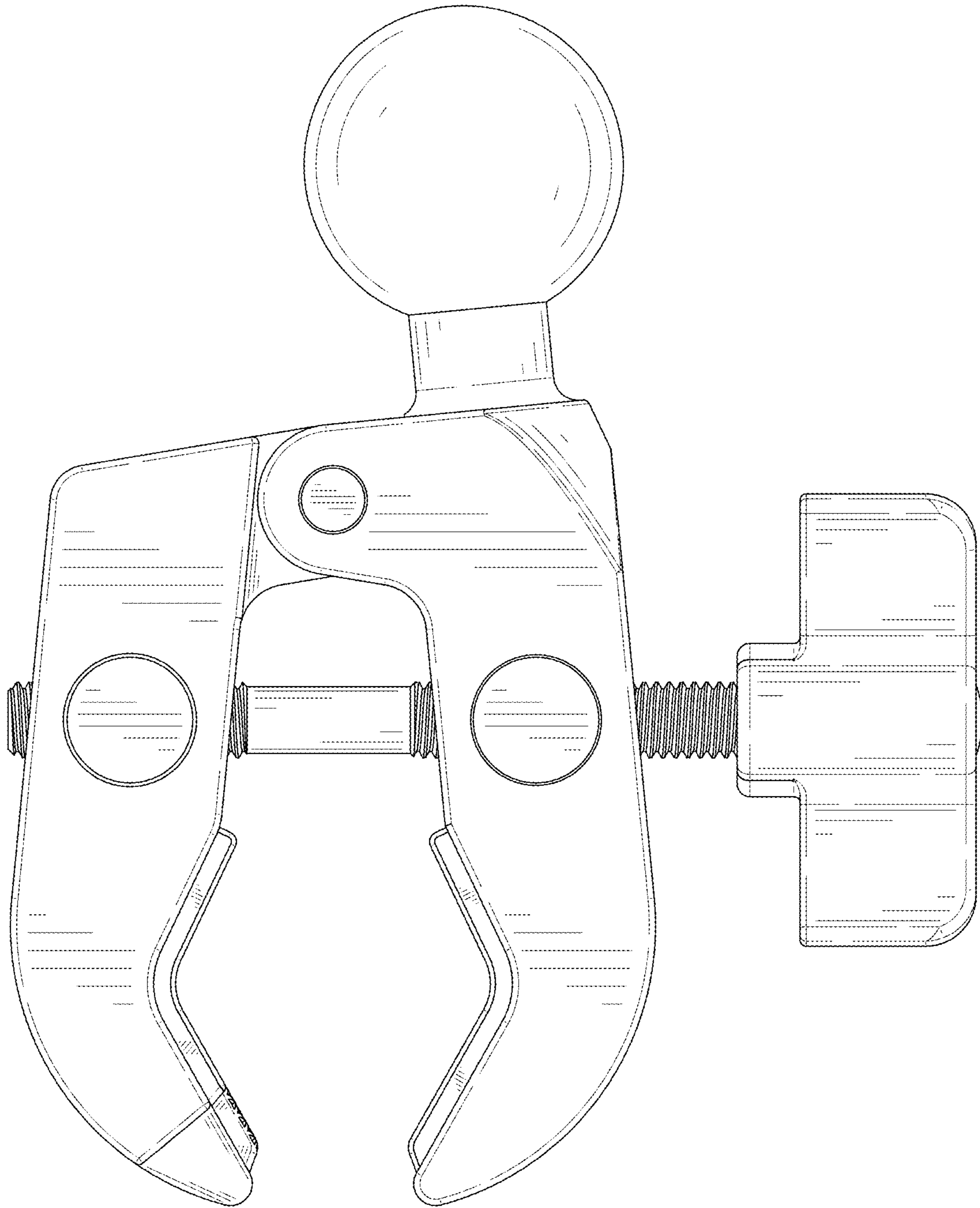


FIG. 3

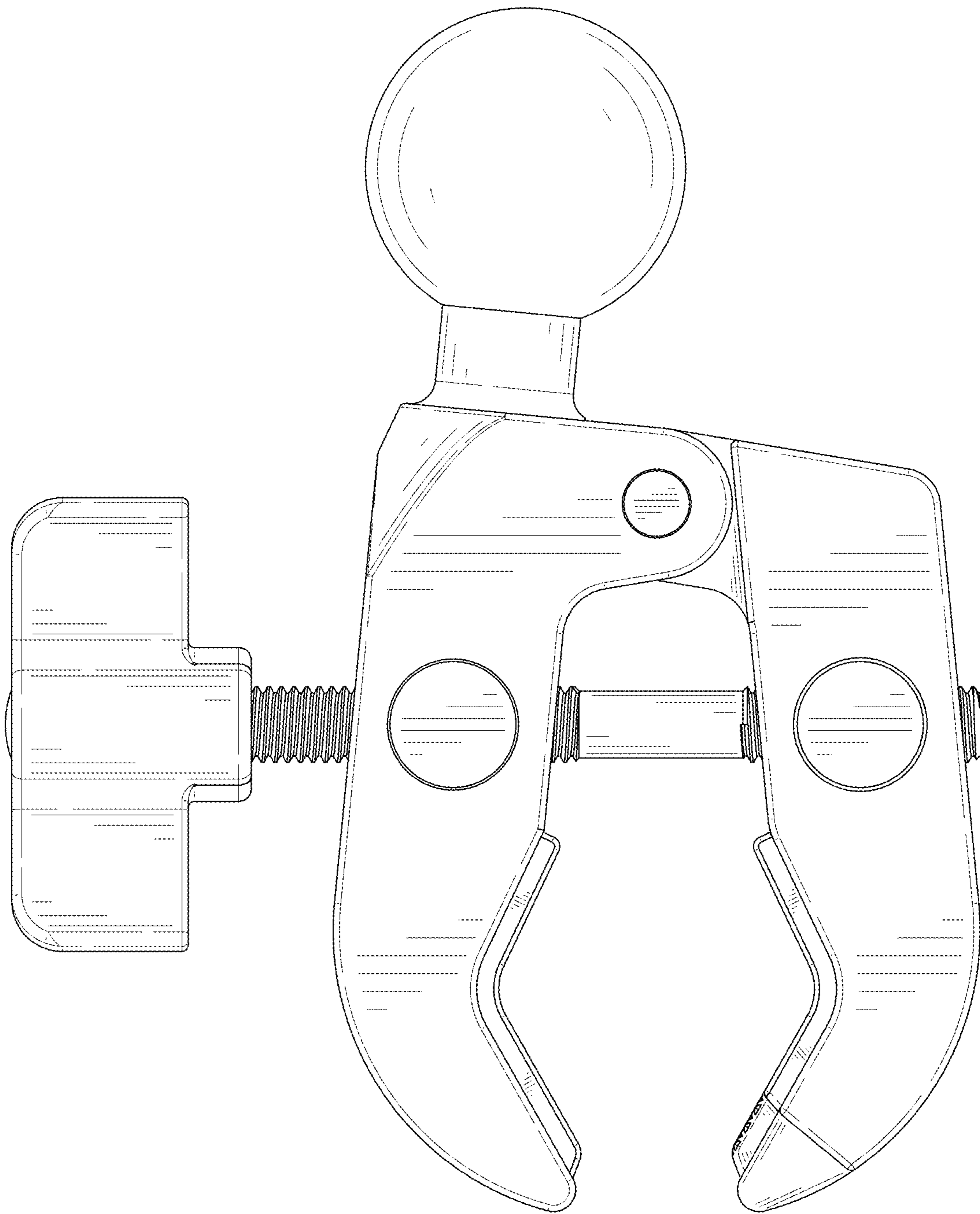


FIG. 4

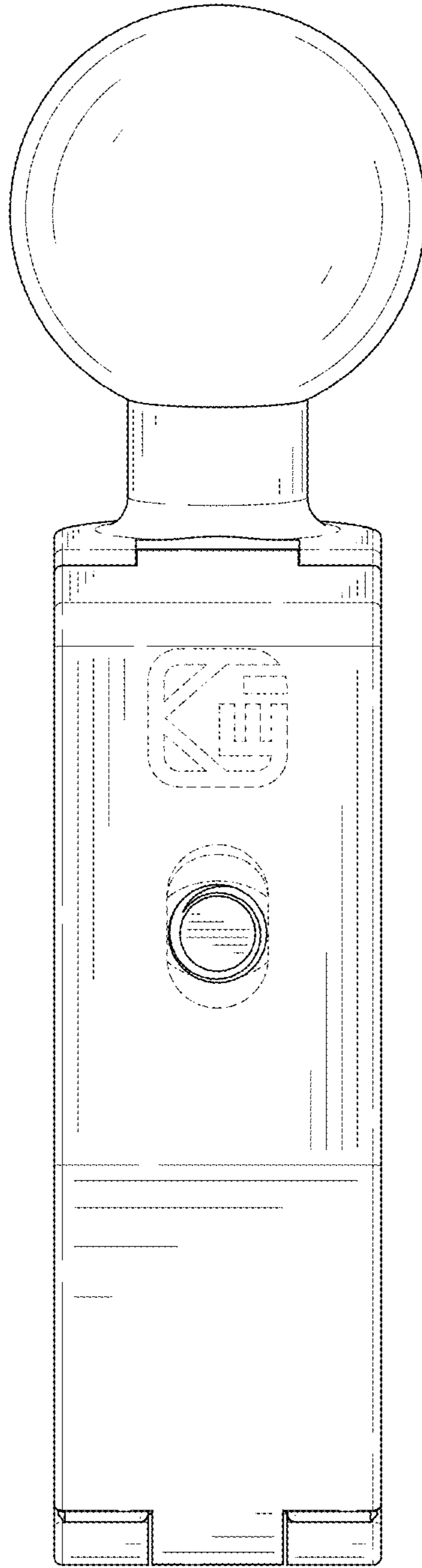


FIG. 5

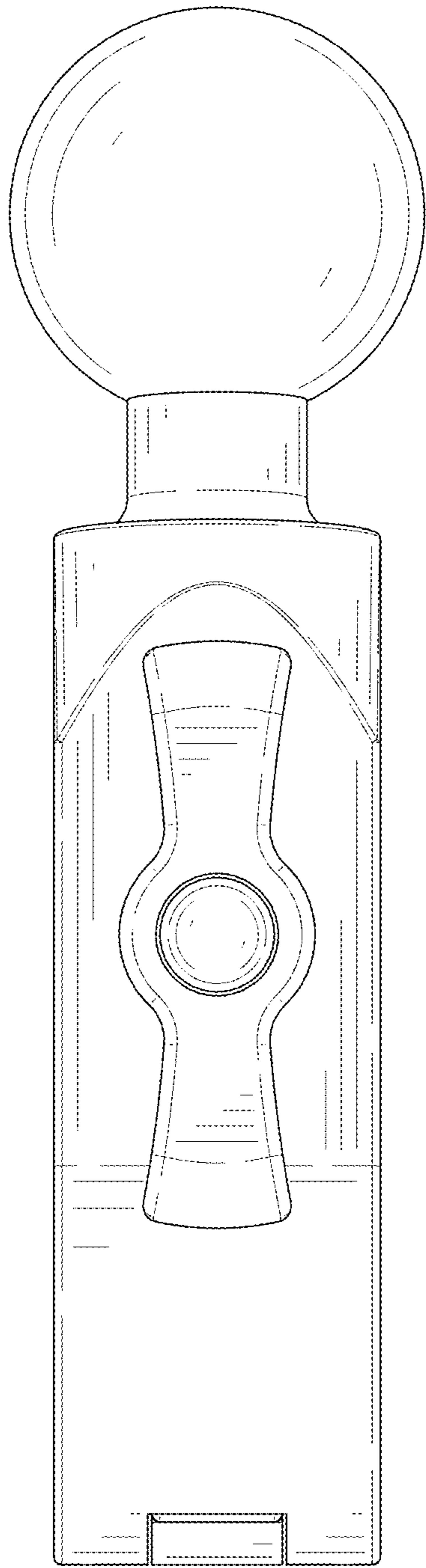


FIG. 6

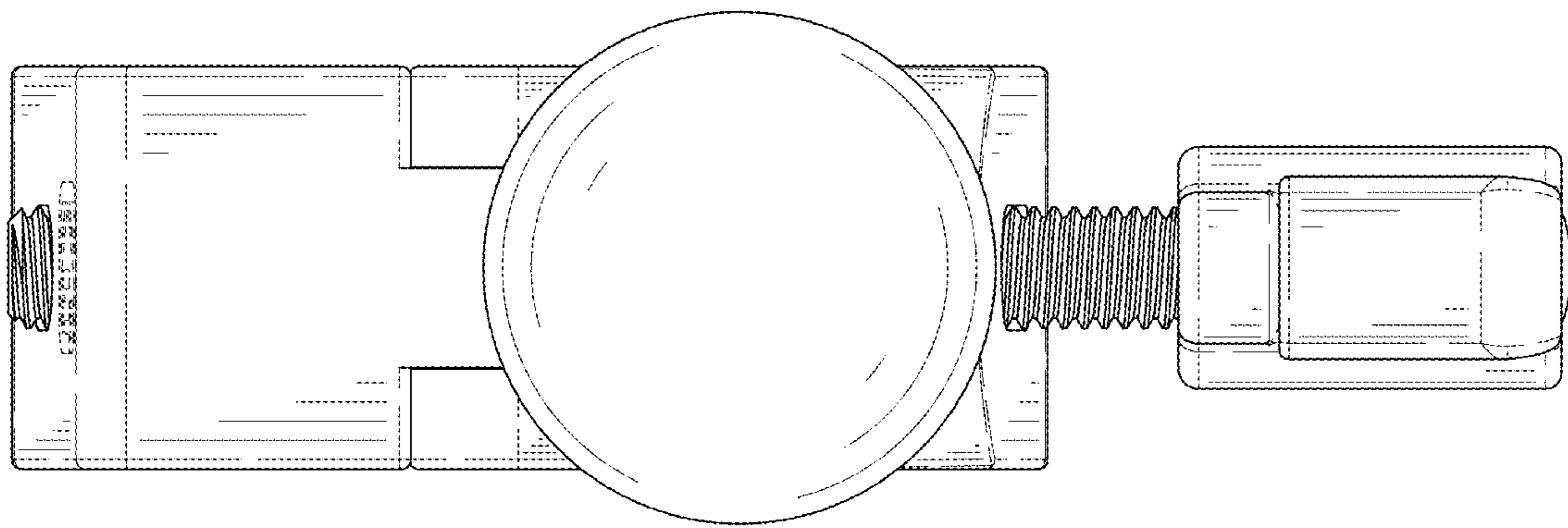


FIG. 7



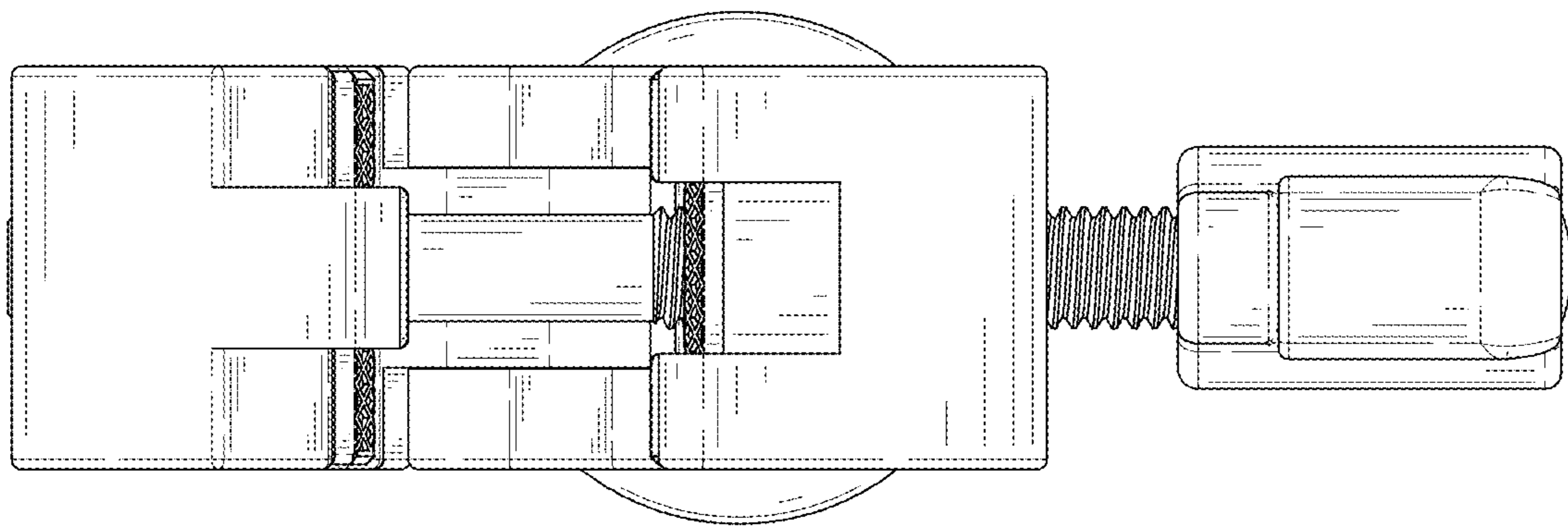


FIG. 8

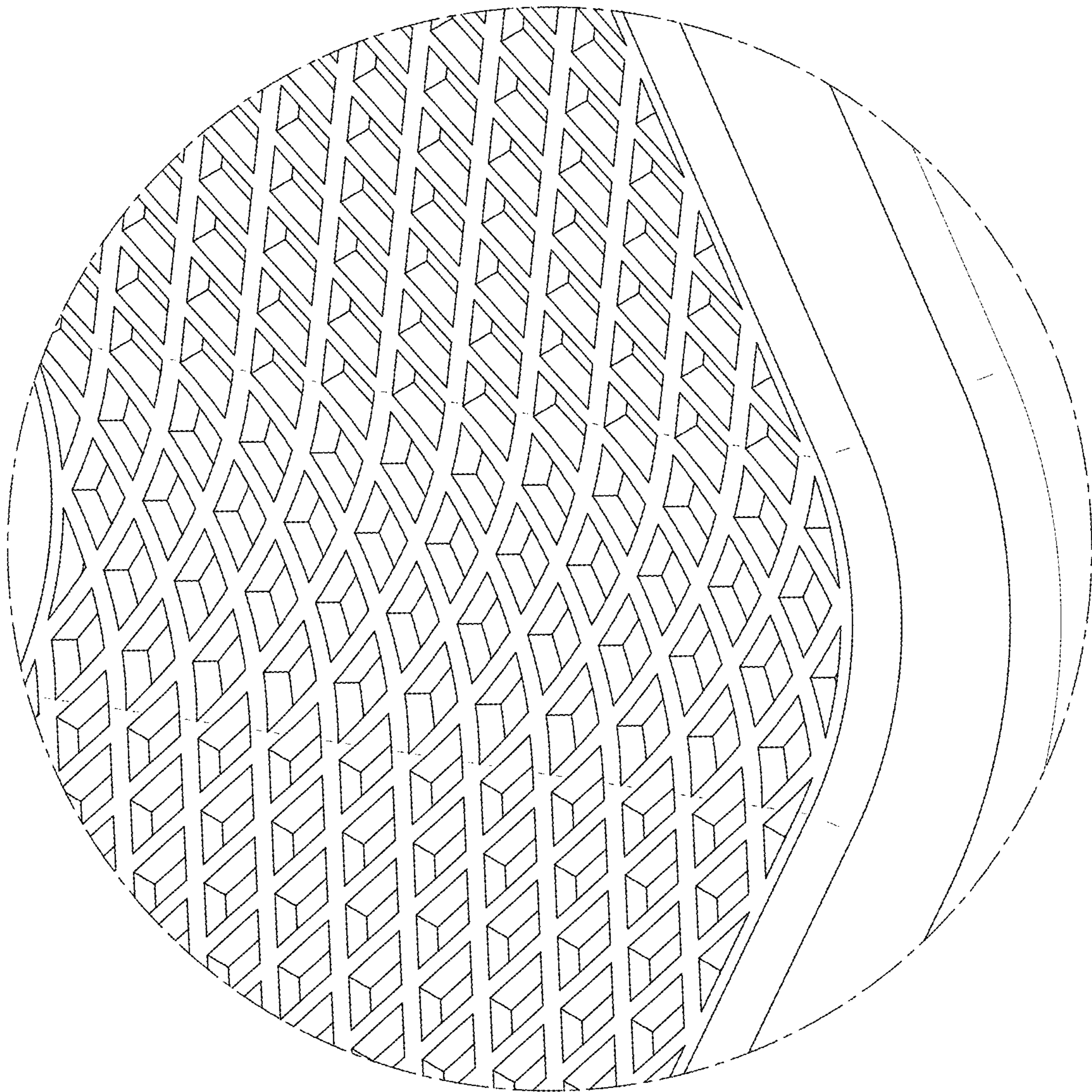


FIG. 9

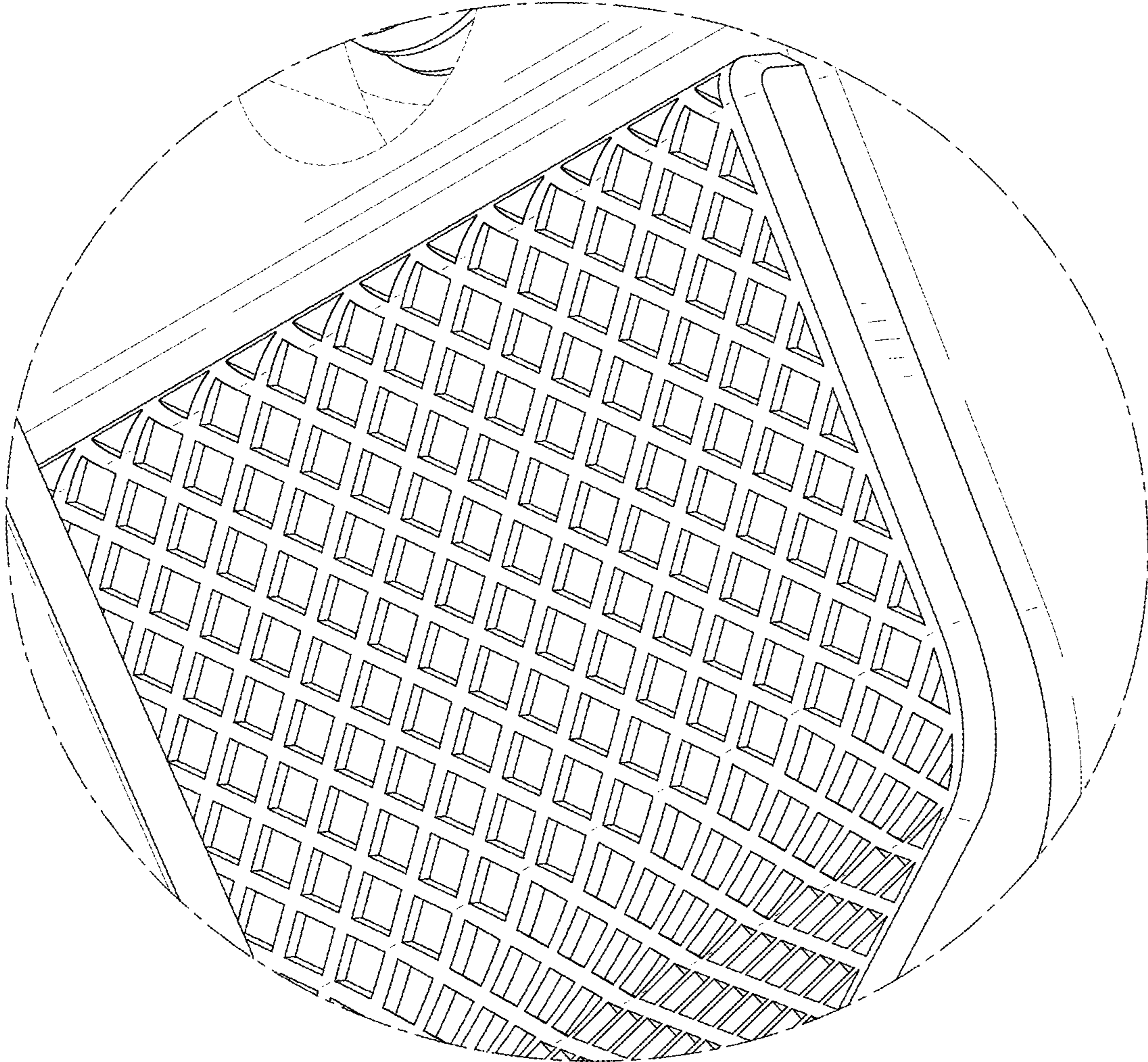


FIG. 10