



US00D970323S

(12) **United States Design Patent**
Wang

(10) **Patent No.:** **US D970,323 S**
(45) **Date of Patent:** **** Nov. 22, 2022**

(54) **HOT GLUE GUN WITH STAND**

- (71) Applicant: **Desheng Wang**, Guangdong (CN)
- (72) Inventor: **Desheng Wang**, Guangdong (CN)
- (**) Term: **15 Years**
- (21) Appl. No.: **29/782,589**
- (22) Filed: **May 7, 2021**
- (51) **LOC (13) Cl.** **08-05**
- (52) **U.S. Cl.**
USPC **D8/30**
- (58) **Field of Classification Search**
USPC D8/14.1, 29.1, 29.2, 30, 51, 68
CPC B05C 17/0053; B05C 17/00546; B05C
17/00526; B05C 17/01
See application file for complete search history.

(56) **References Cited**

U.S. PATENT DOCUMENTS

D303,612 S *	9/1989	Knispel	D8/30
D308,932 S *	7/1990	Straub	D8/14.1
D316,019 S *	4/1991	Belanger	D8/30
D398,204 S *	9/1998	Lee	D8/30
D413,502 S *	9/1999	Chang	D8/71
6,105,824 A *	8/2000	Singleton	B05C 17/00546 219/229
6,170,709 B1 *	1/2001	Huang	B05C 17/00546 222/146.5
D533,042 S *	12/2006	Loch	D8/71
D542,110 S *	5/2007	Mochizuki	D8/71
D594,046 S *	6/2009	Kita	D15/144
D671,385 S *	11/2012	Yung-Kuan	D8/30

(Continued)

Primary Examiner — Philip S Hyder
(74) *Attorney, Agent, or Firm* — ScienBiziP, P.C.

(57) **CLAIM**

The ornamental design for a hot glue gun with stand, as shown and described.

DESCRIPTION

FIG. 1 is a front, left, and top perspective view of a glue gun of a hot glue gun with stand, showing my design.

FIG. 2 is a rear, right, and bottom perspective view of the glue gun of the hot glue gun with stand of FIG. 1.

FIG. 3 is a front elevation view of the glue gun of the hot glue gun with stand of FIG. 1.

FIG. 4 is a rear elevation view of the glue gun of the hot glue gun with stand of FIG. 1.

FIG. 5 is a left side elevation view of the glue gun of the hot glue gun with stand of FIG. 1.

FIG. 6 is a right side elevation view of the glue gun of the hot glue gun with stand of FIG. 1.

FIG. 7 is a top plan view of the glue gun of the hot glue gun with stand of FIG. 1.

FIG. 8 is a bottom plan view of the glue gun of the hot glue gun with stand of FIG. 1.

FIG. 9 is a front, right, and top perspective view of a stand of the hot glue gun with stand.

FIG. 10 is a front elevation view of the stand of the hot glue gun with stand of FIG. 9.

FIG. 11 is a left side elevation view of the stand of the hot glue gun with stand of FIG. 9.

FIG. 12 is a right side elevation view of the stand of the hot glue gun with stand of FIG. 9.

FIG. 13 is a top plan view of the stand of the hot glue gun with stand of FIG. 9.

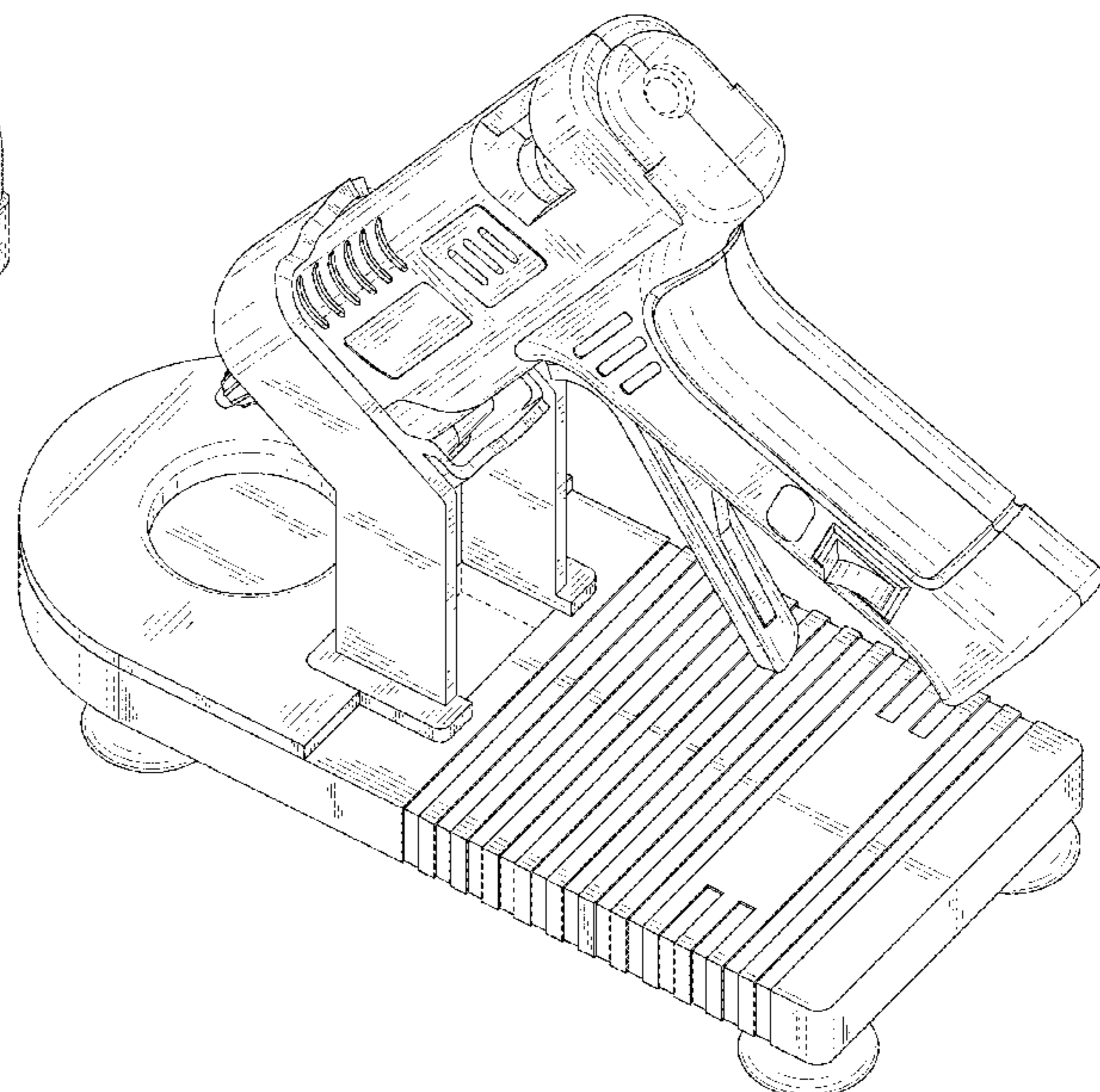
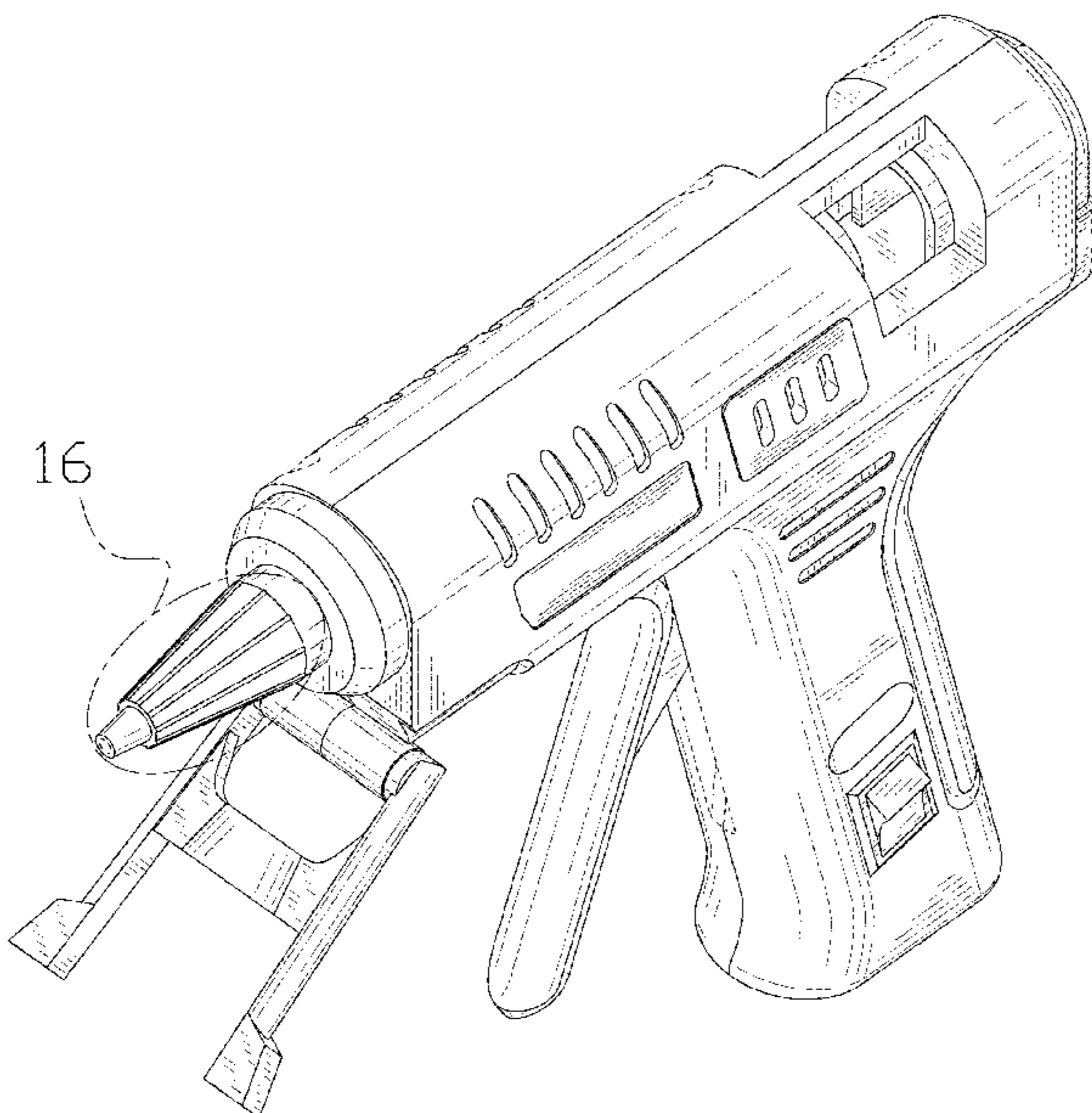
FIG. 14 is a bottom plan view of the stand of the hot glue gun with stand of FIG. 9.

FIG. 15 is a front, right, and top perspective view of the hot glue gun with stand, wherein the glue gun and the stand are assembled; and,

FIG. 16 is a partial enlarged view of an area labeled 16 in FIG. 1 comprising a muzzle.

The broken lines shown in the drawings are included for the purpose of illustrating portions of the hot glue gun with stand that form no part of the claimed design.

1 Claim, 16 Drawing Sheets



(56)

References Cited

U.S. PATENT DOCUMENTS

D793,193 S * 8/2017 Lee B05C 17/0053
D8/30
D821,170 S * 6/2018 Huang B23K 3/027
D8/30
D870,525 S * 12/2019 Zhang B23K 3/027
D8/30
D879,568 S 3/2020 Wang
D897,796 S * 10/2020 Wang D8/30
D948,300 S * 4/2022 Wang D8/30
D949,657 S * 4/2022 Gou D8/71
D958,623 S * 7/2022 Qing D8/30
2007/0045345 A1 * 3/2007 Monfeli B05C 17/00526
222/173
2008/0067164 A1 * 3/2008 Kuo B23K 3/027
219/242
2010/0108827 A1 * 5/2010 Teraoka B23K 3/027
248/117.2
2017/0080449 A1 * 3/2017 Lee B05C 17/0053
2017/0128977 A1 * 5/2017 Hsu B05C 17/0052
2021/0268538 A1 * 9/2021 Lu B05C 17/00546
2022/0105536 A1 * 4/2022 Smith B05C 17/0053

* cited by examiner

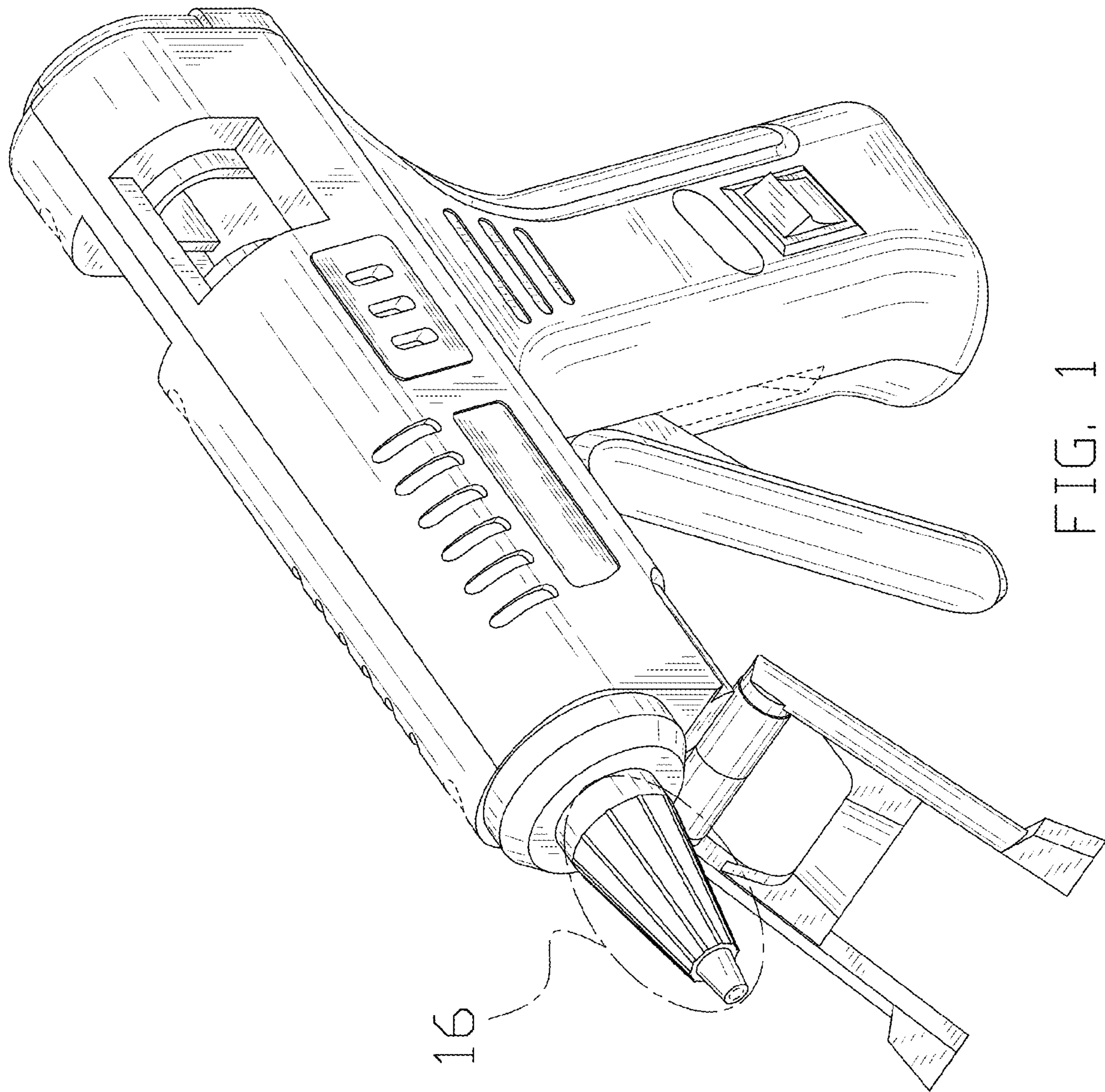


FIG. 1

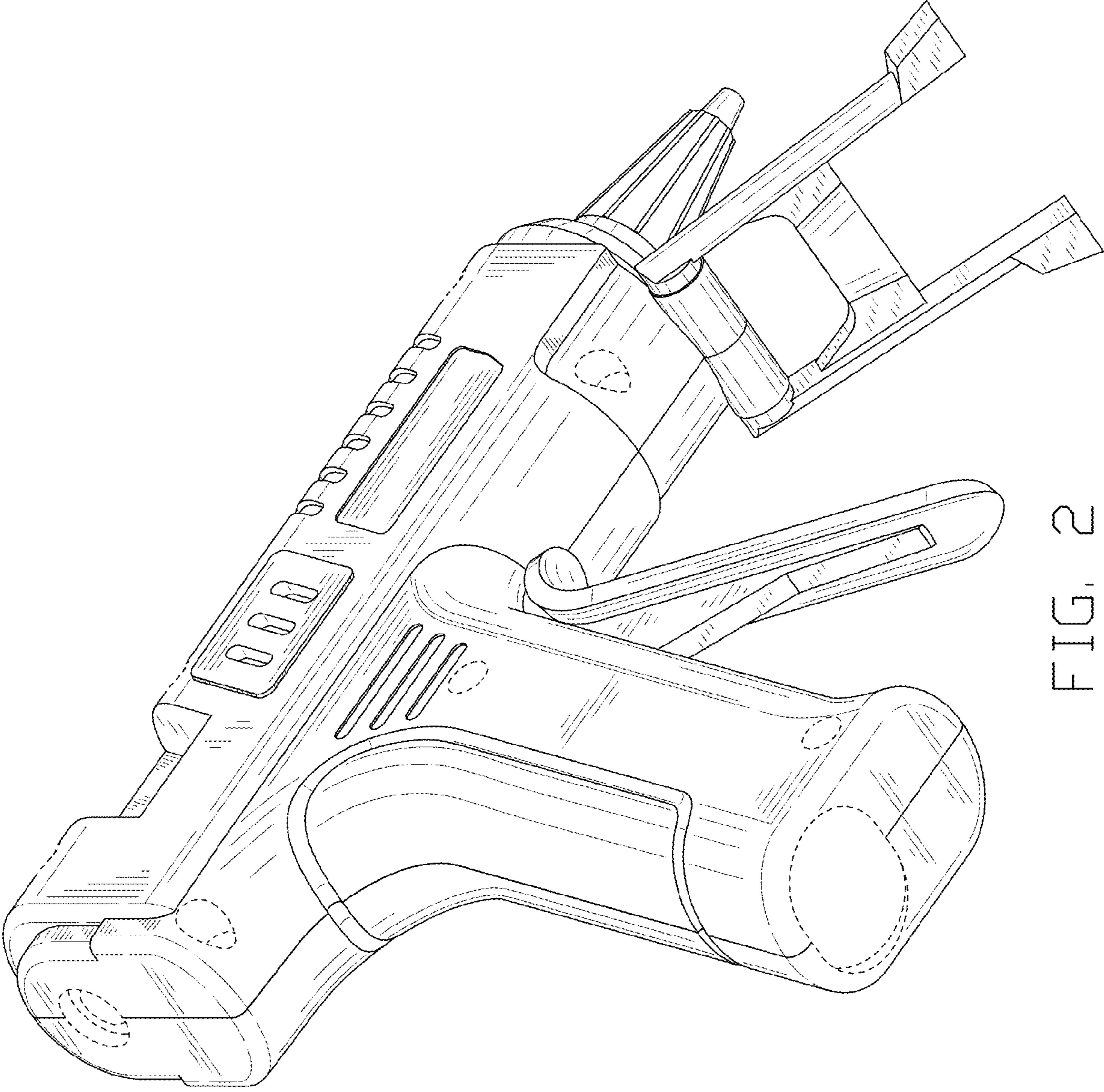


FIG. 2

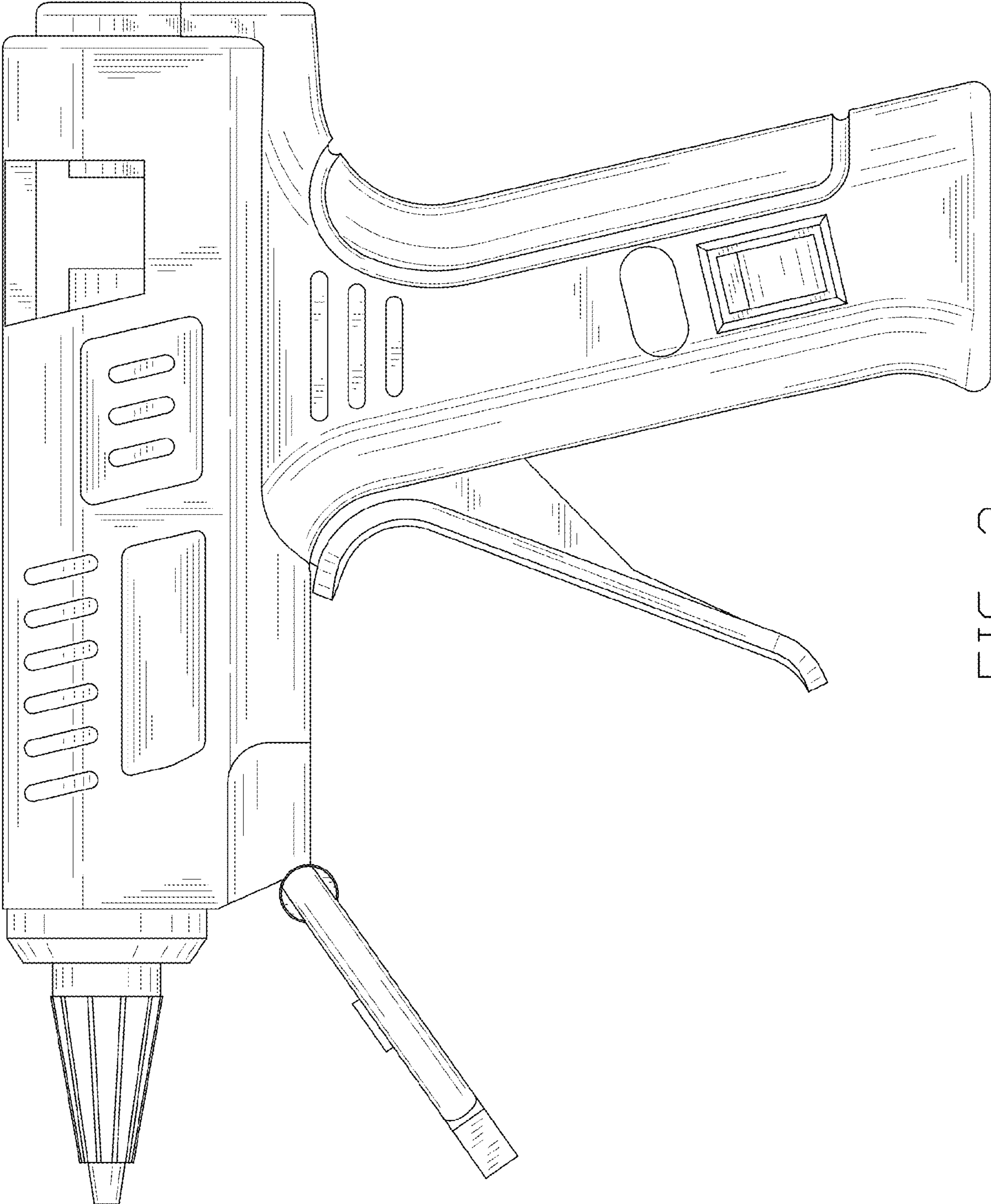


FIG. 3

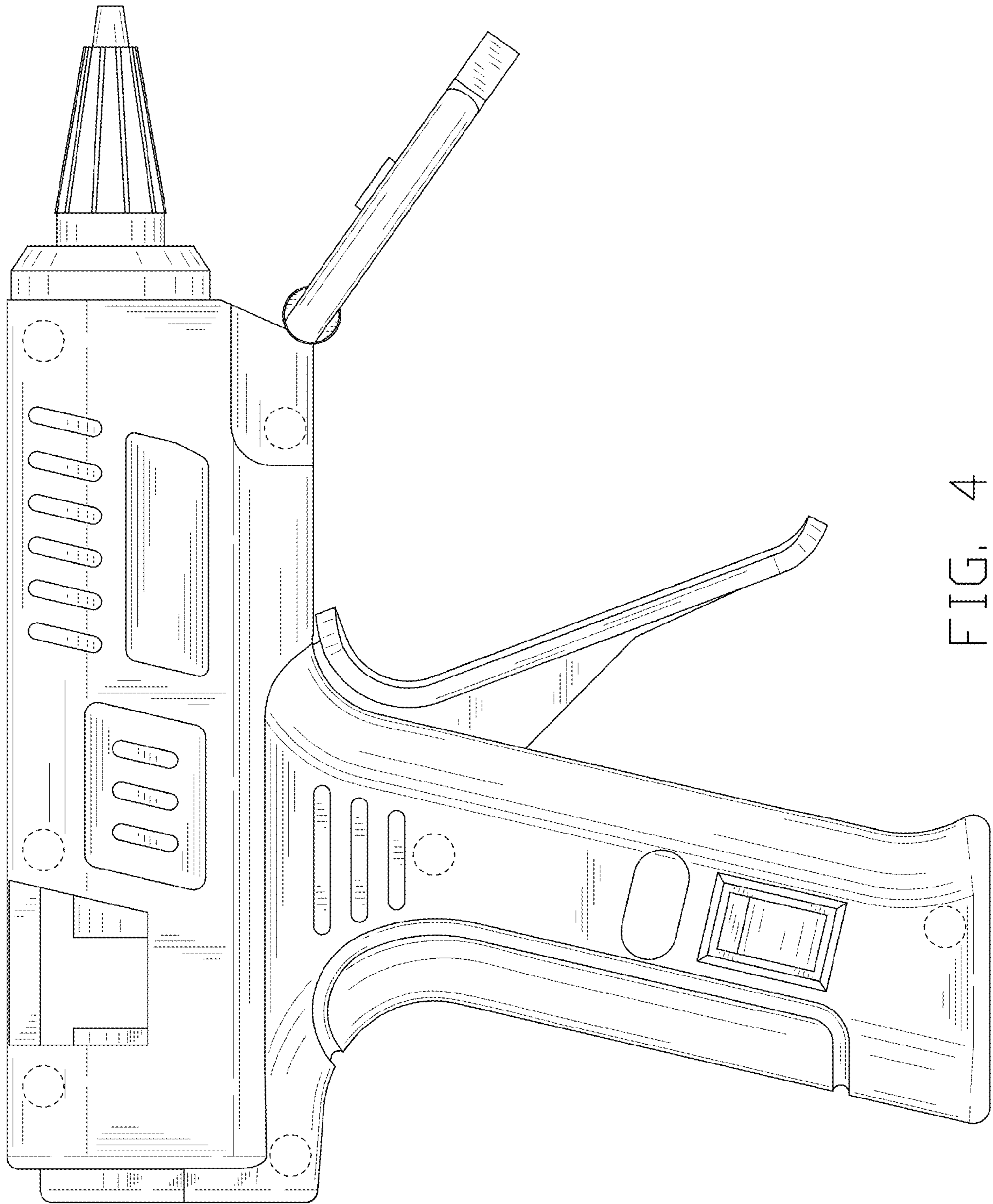


FIG. 4

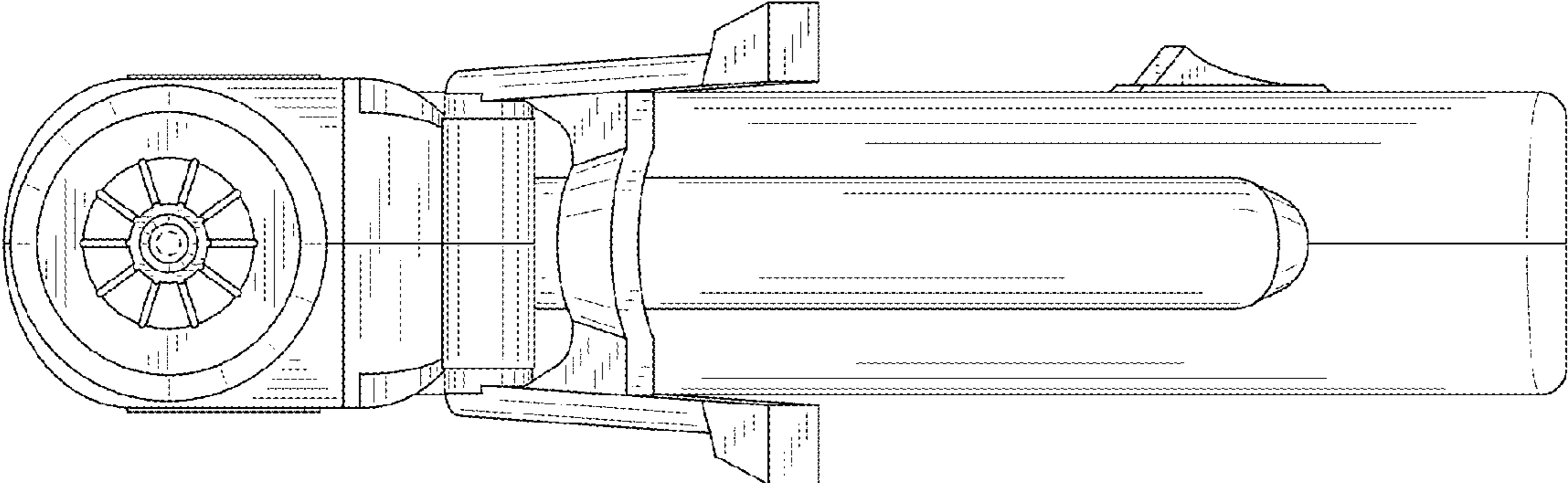


FIG. 5

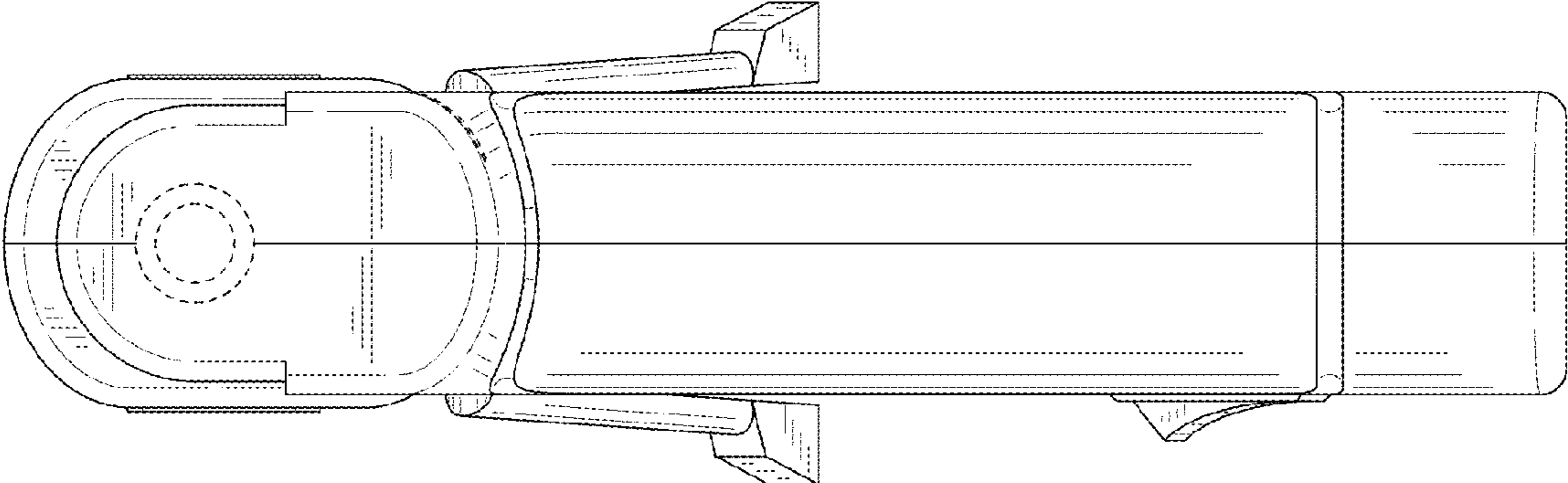


FIG. 6

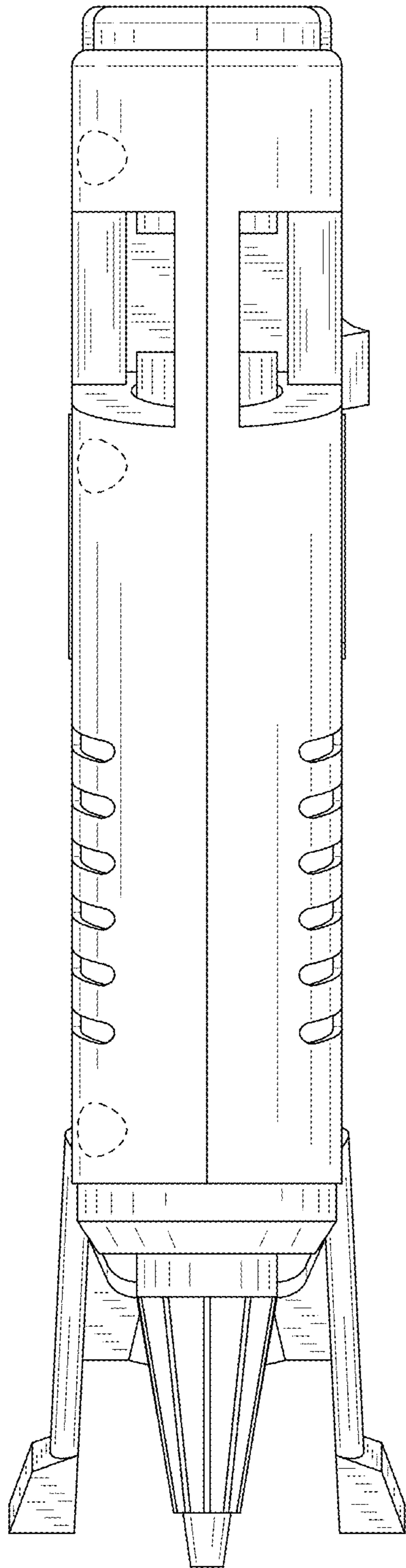


FIG. 7

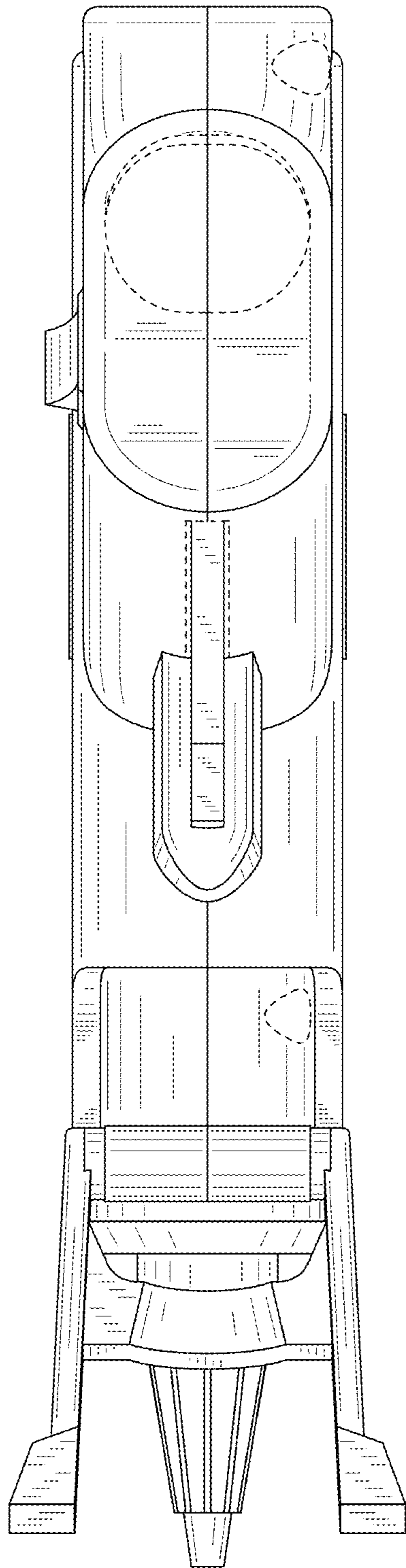


FIG. 8

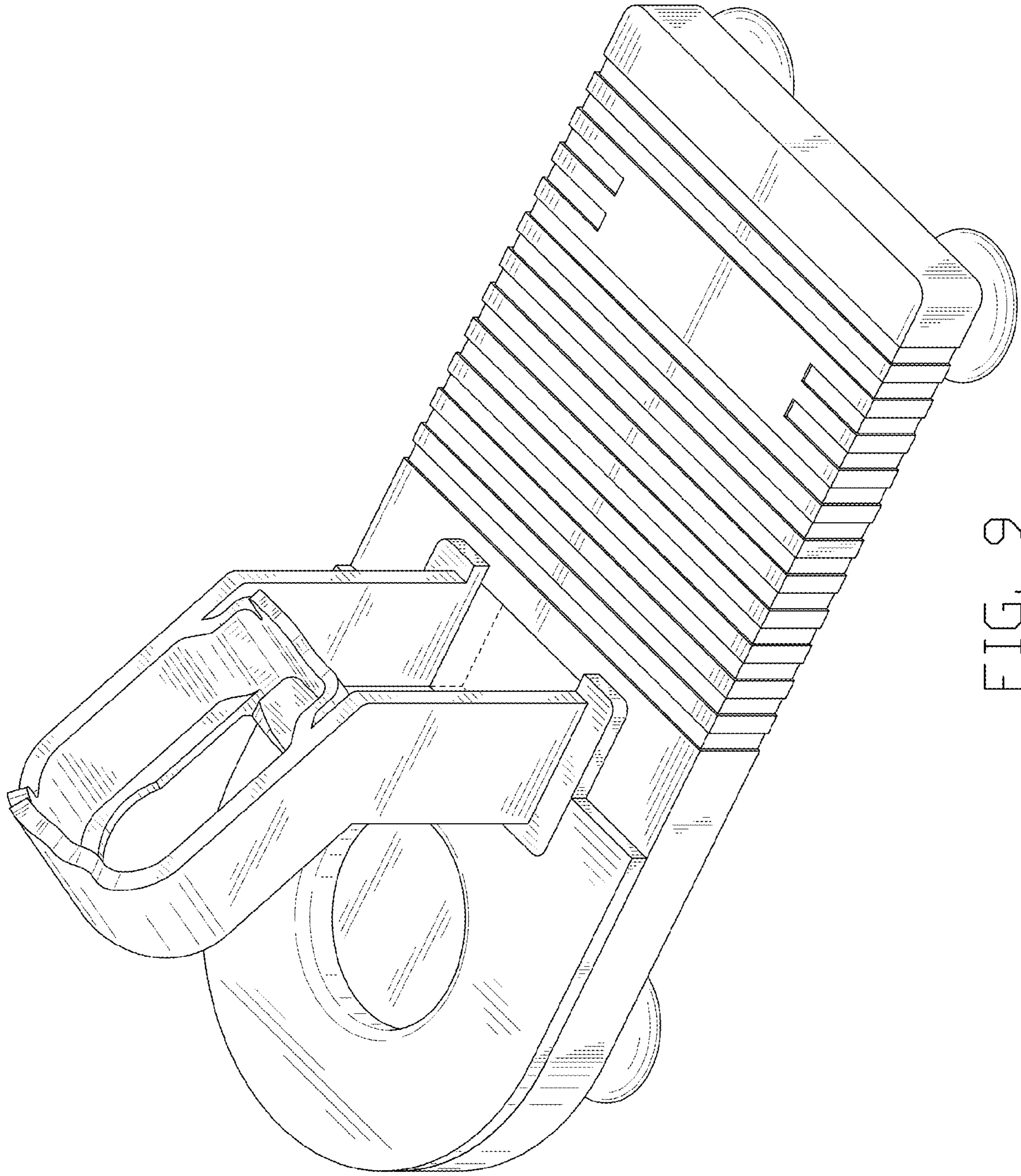


FIG. 9

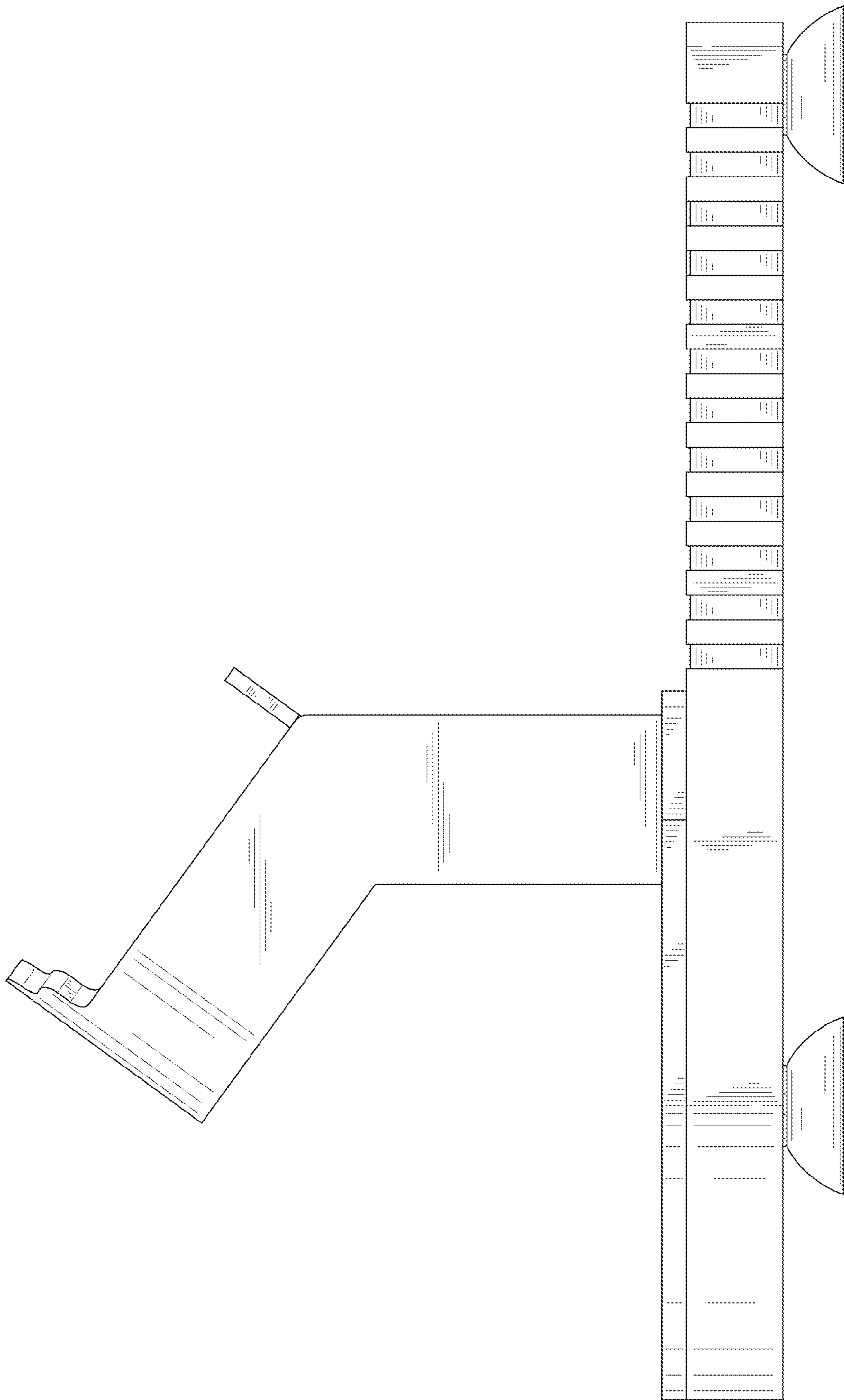


FIG. 10

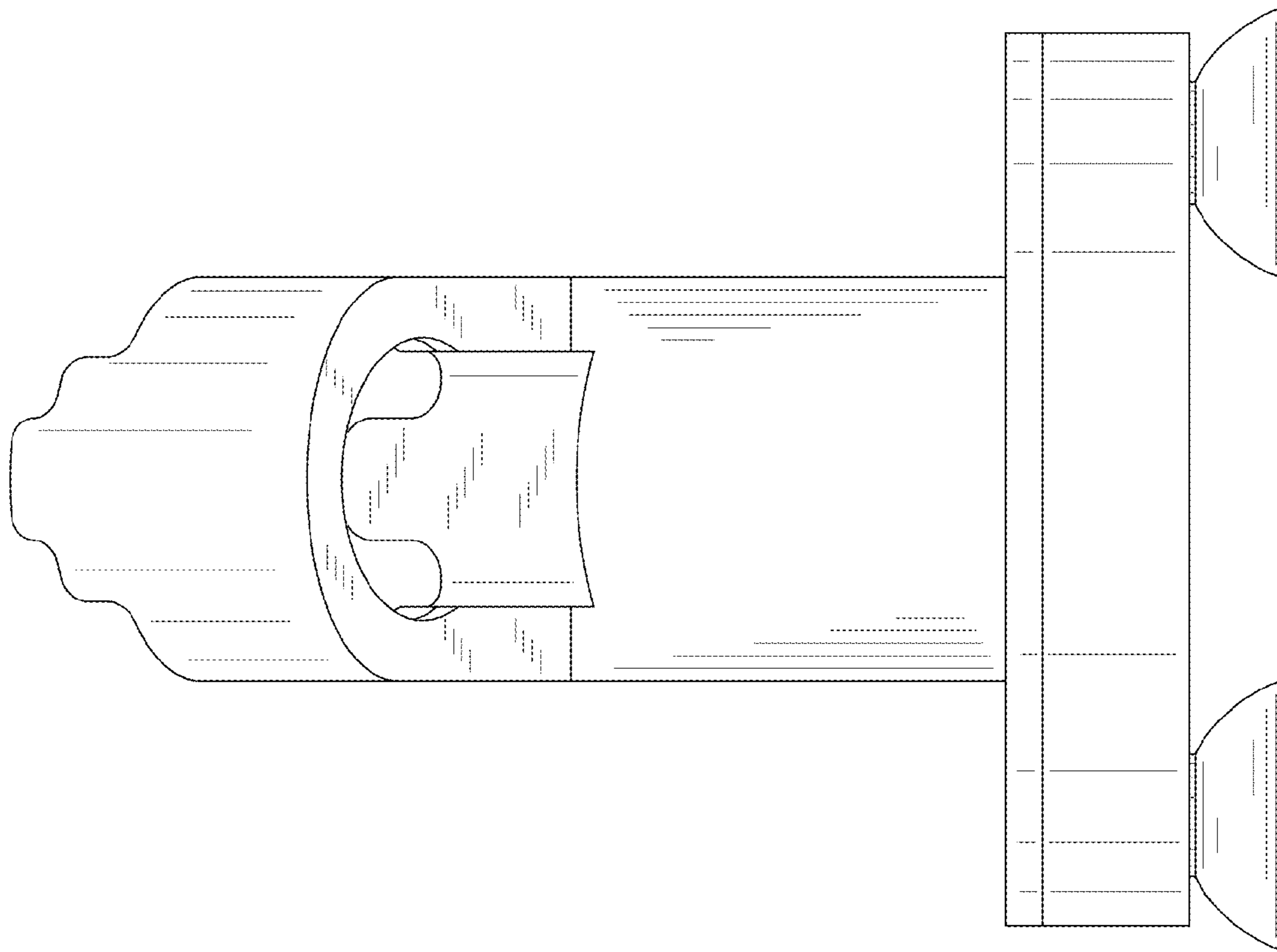


FIG. 11

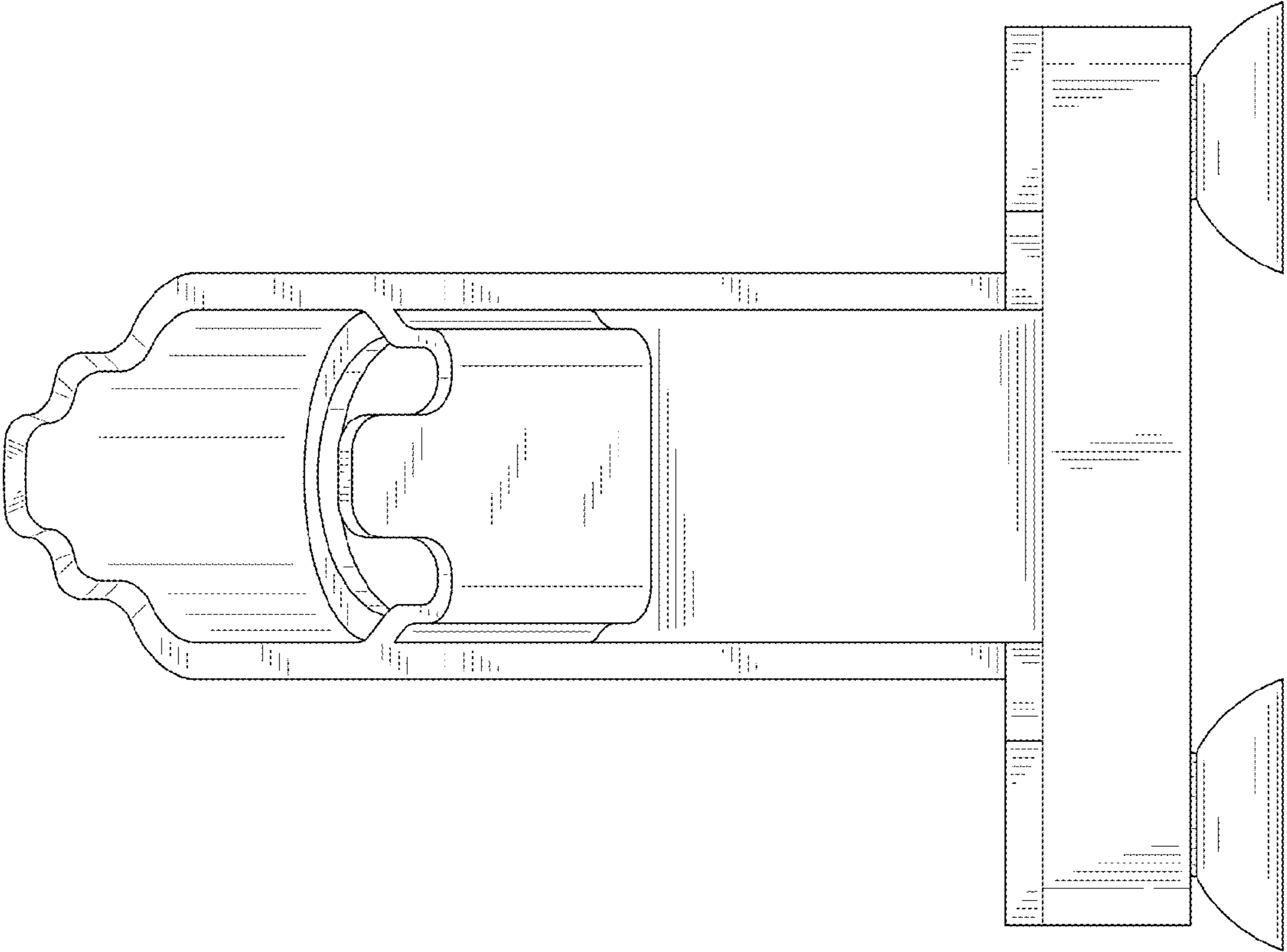


FIG. 12

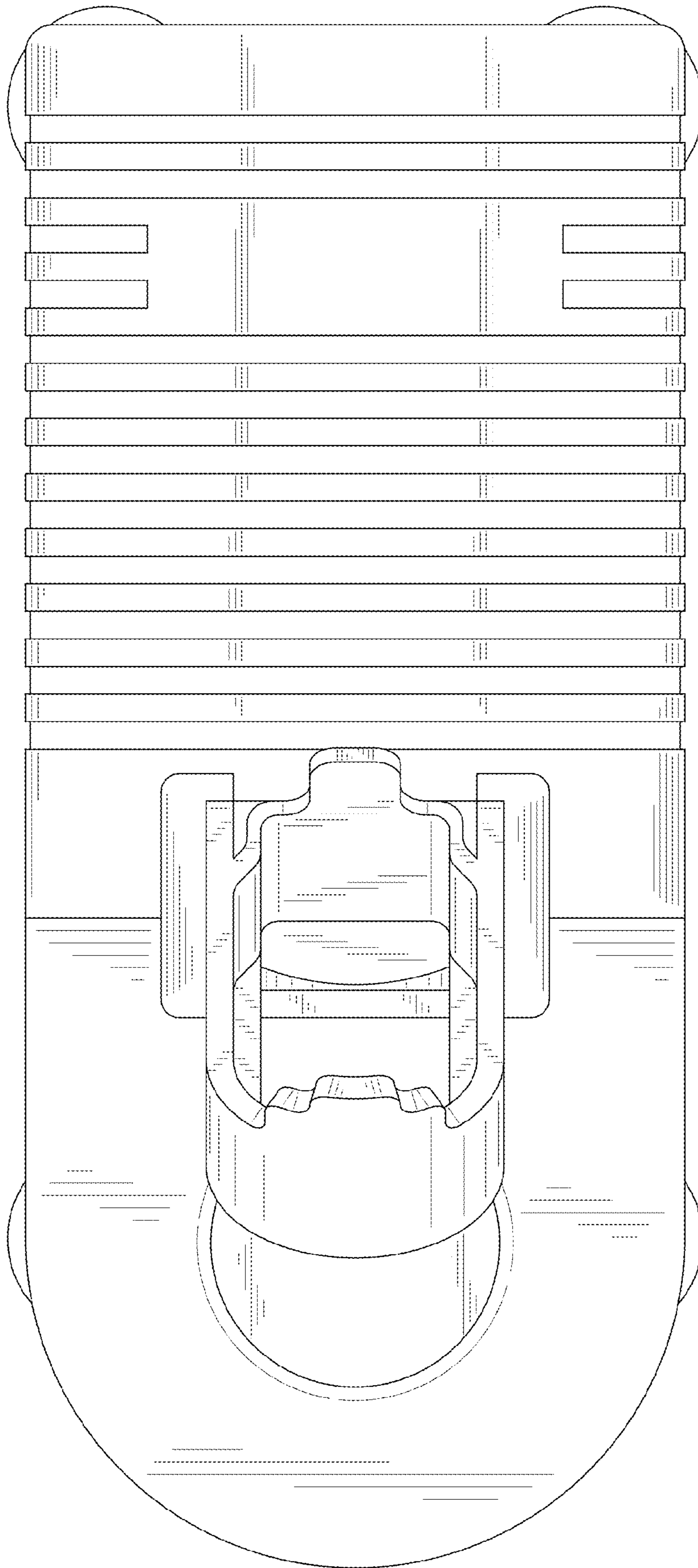


FIG. 13

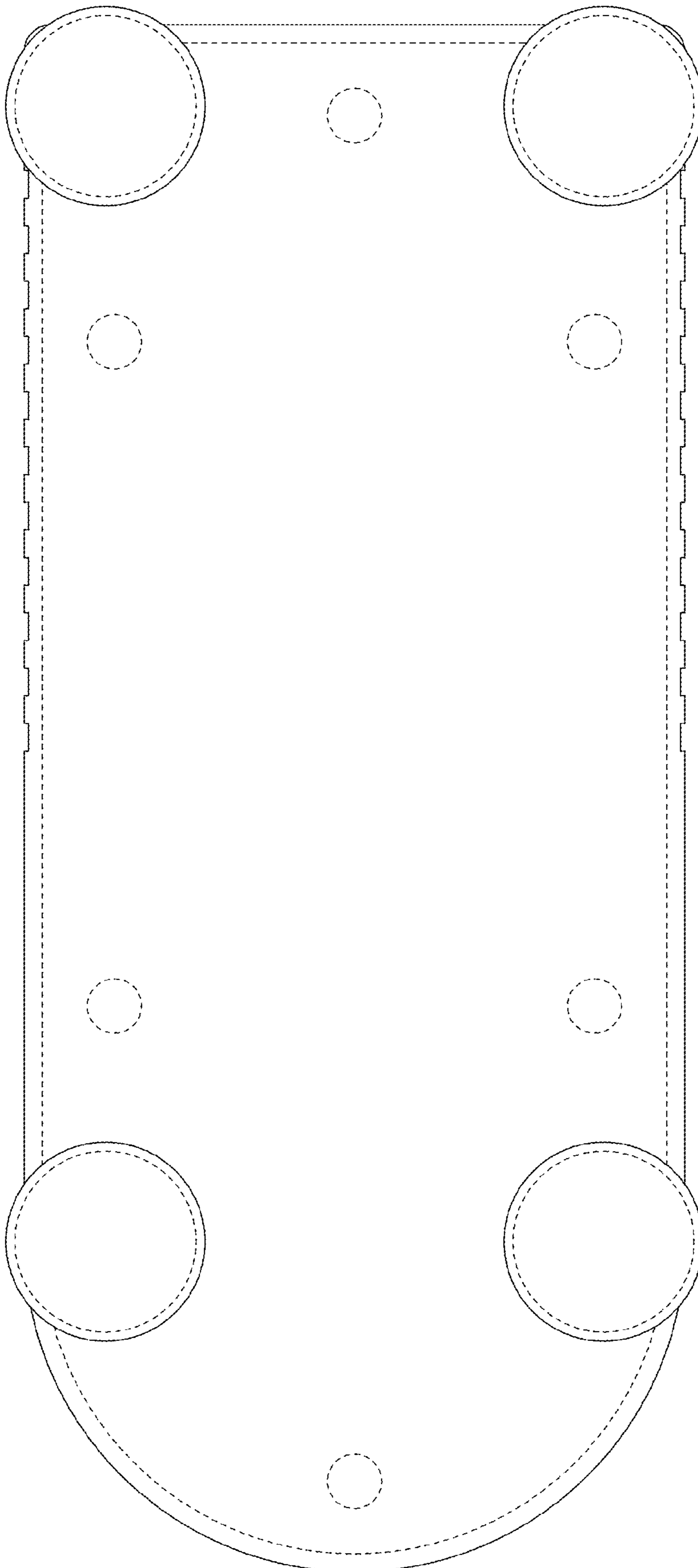


FIG. 14

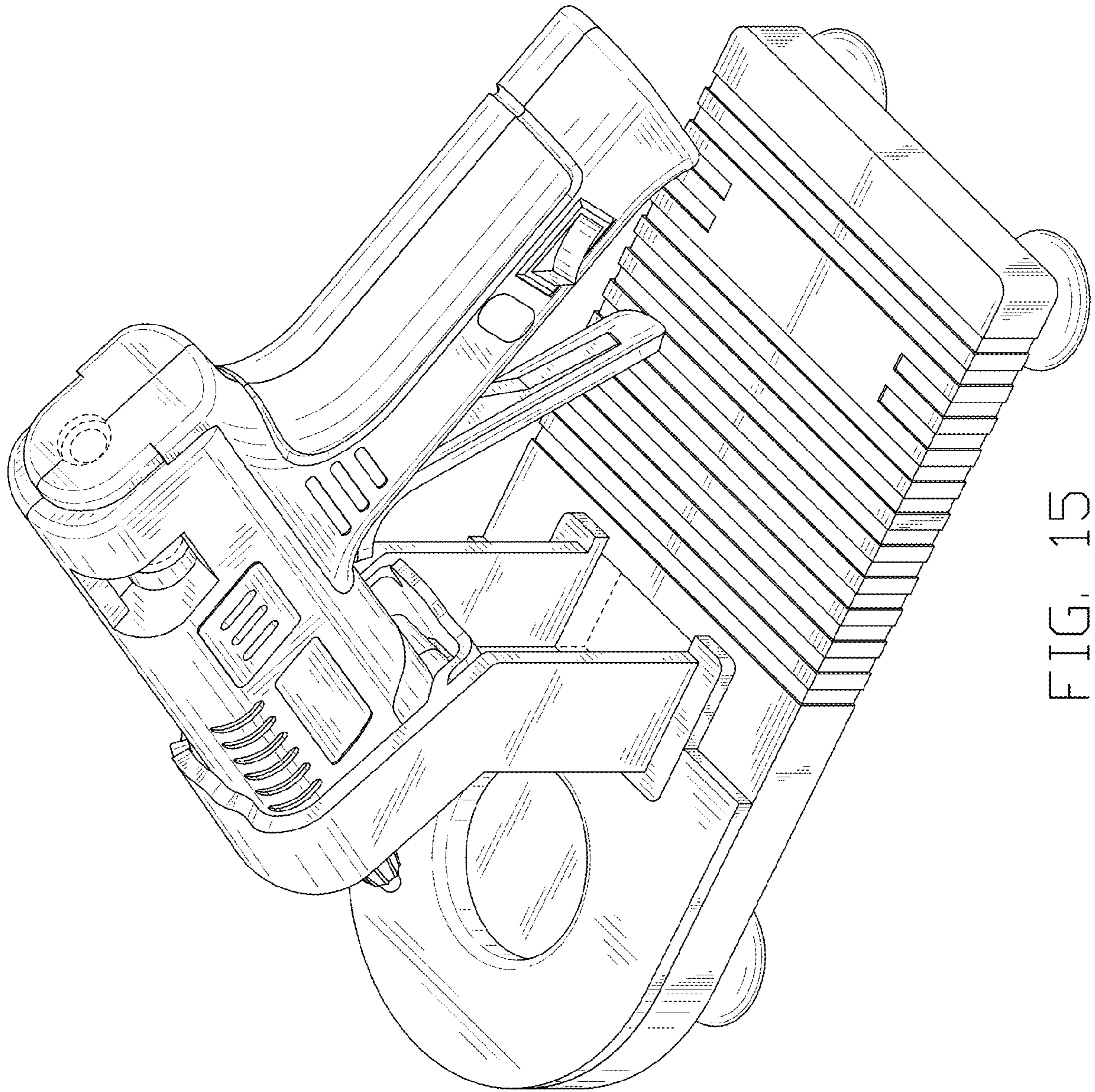


FIG. 15

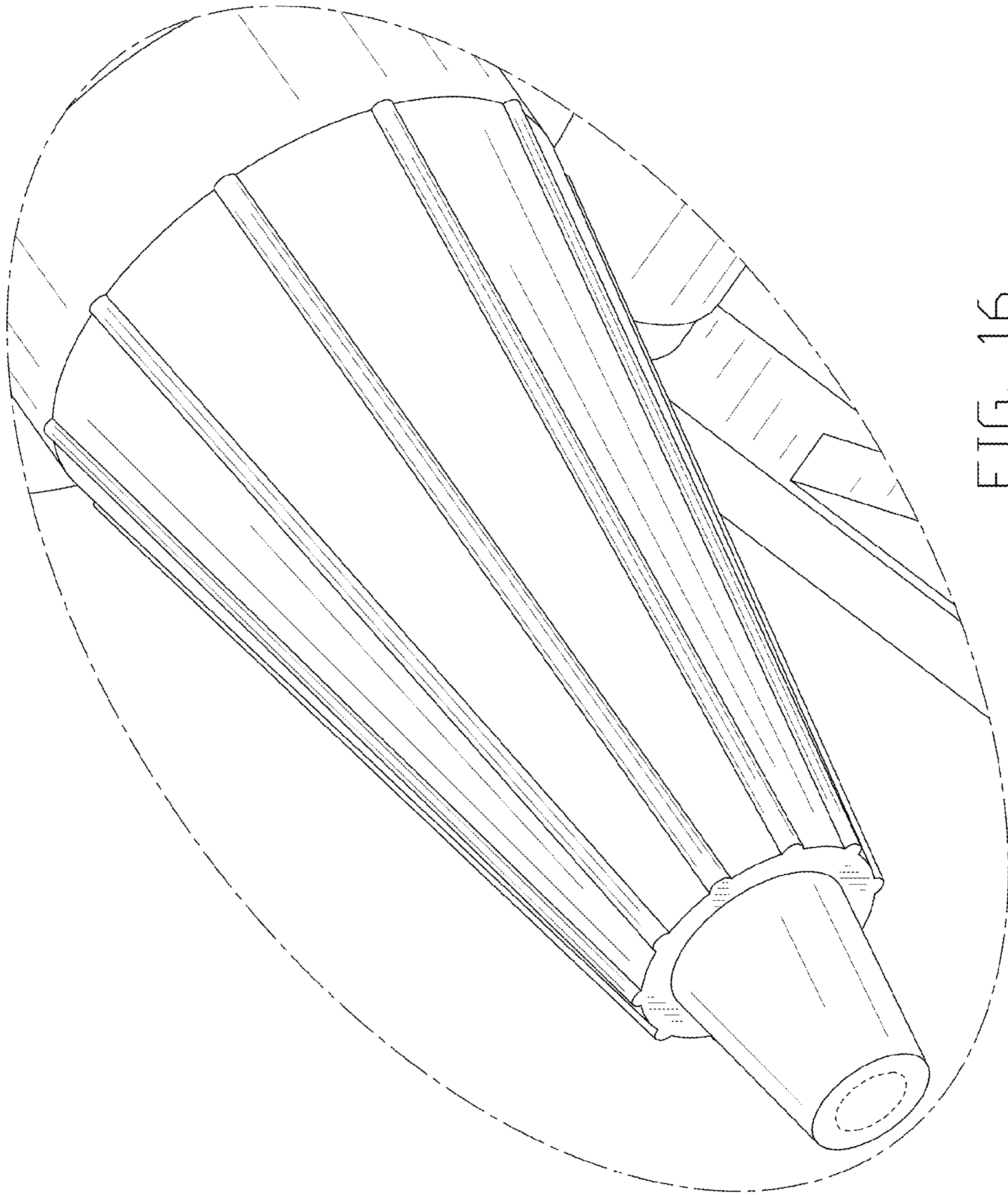


FIG. 16