



US00D970320S

(12) **United States Design Patent**
Liu

(10) **Patent No.:** **US D970,320 S**

(45) **Date of Patent:** **** Nov. 22, 2022**

(54) **POT RACK**

(71) Applicant: **Xiaojun Liu**, Shenzhen (CN)

(72) Inventor: **Xiaojun Liu**, Shenzhen (CN)

(**) Term: **15 Years**

(21) Appl. No.: **29/769,273**

(22) Filed: **Feb. 4, 2021**

(51) **LOC (13) Cl.** **06-04**

(52) **U.S. Cl.**

USPC **D7/704**

(58) **Field of Classification Search**

USPC D7/701-708; D6/678.4, 672, 673, 675,

D6/675.1, 678, 678.1, 680.2, 680.3,

D6/681.1, 681.2, 682.2, 682.4

CPC A47J 47/16; A47J 47/00; A47B 57/545;

A47B 57/36; A47F 5/13

See application file for complete search history.

(56) **References Cited**

U.S. PATENT DOCUMENTS

2,972,414 A * 2/1961 Sipe A47J 47/16
D7/704

D778,642 S * 2/2017 Tsai D7/704

D832,665 S * 11/2018 Chu D7/704
2017/0224176 A1 * 8/2017 Chu A47F 5/13
2017/0245692 A1 * 8/2017 Greenwood A47B 81/00

OTHER PUBLICATIONS

Amazon.com, Ordora Pots and Pan Organizer for Cabinet, ASIN: B08DY9HRWD, 14 pages, date first available Jul. 30, 2020 (Year: 2020).*

Amazon.com, LEEWent Potsand Pans Organizerfor Cabinet with 2 Hooks, ASIN: B0B2QNOWXM, 14 pages, date first available May 31, 2022 (Year: 2022).*

* cited by examiner

Primary Examiner — Terry A Wallace

(57) **CLAIM**

The ornamental design for a pot rack, as shown and described.

DESCRIPTION

FIG. 1 is a stereo view of the pot rack

FIG. 2 is a front view thereof;

FIG. 3 is a back view thereof;

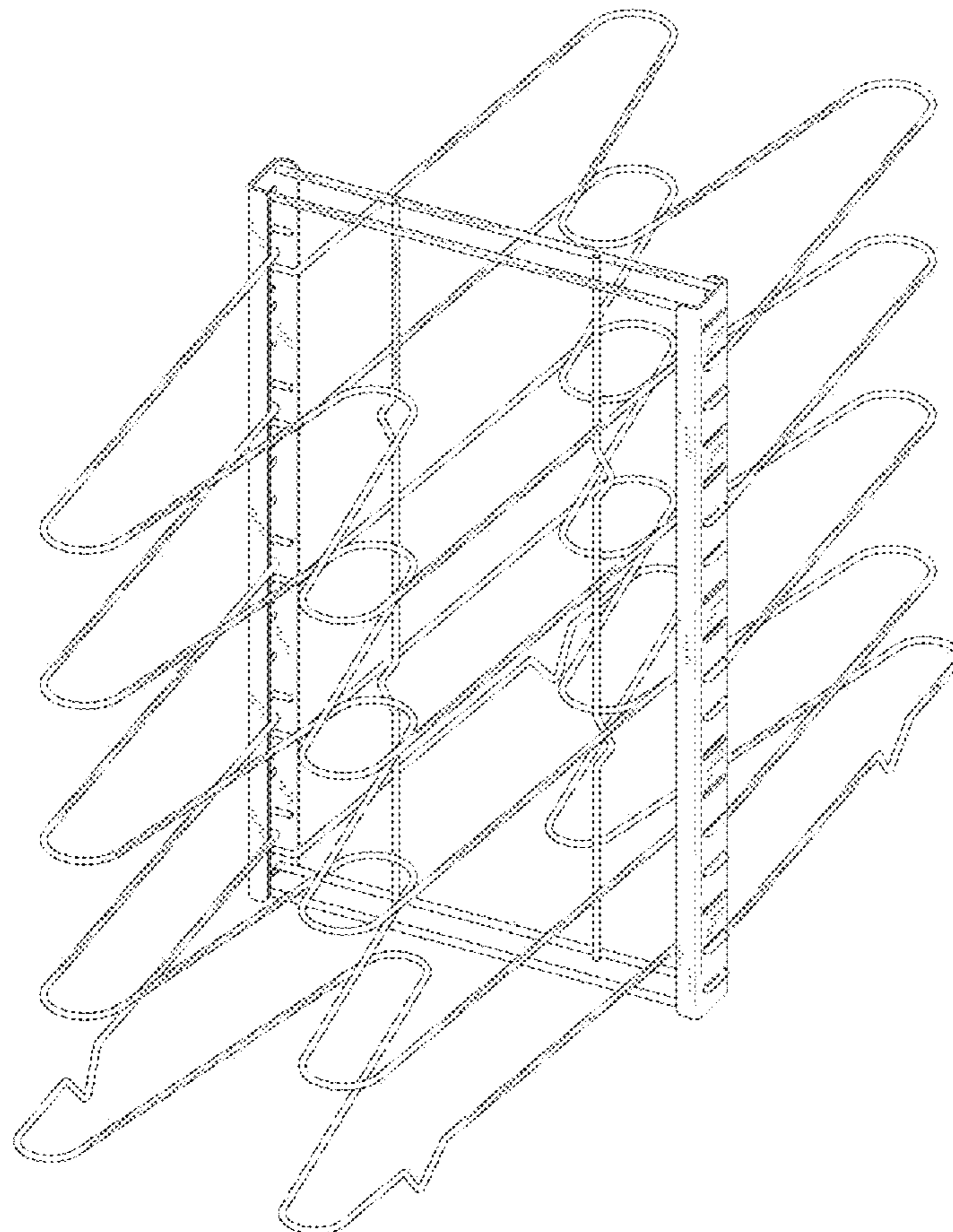
FIG. 4 is a left side view thereof;

FIG. 5 is a right side view thereof;

FIG. 6 is a top view thereof; and,

FIG. 7 is a bottom view thereof.

1 Claim, 7 Drawing Sheets



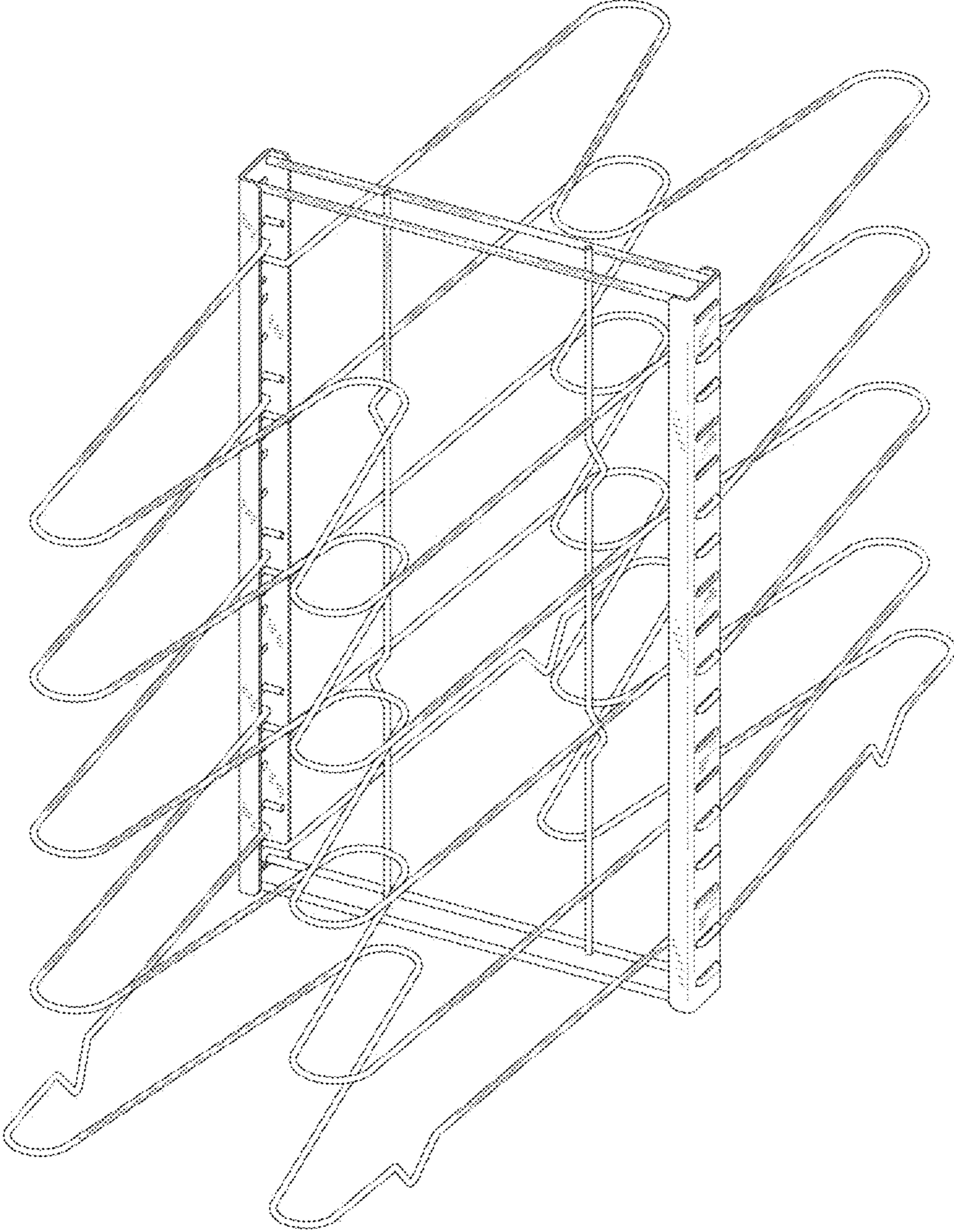


FIG. 1

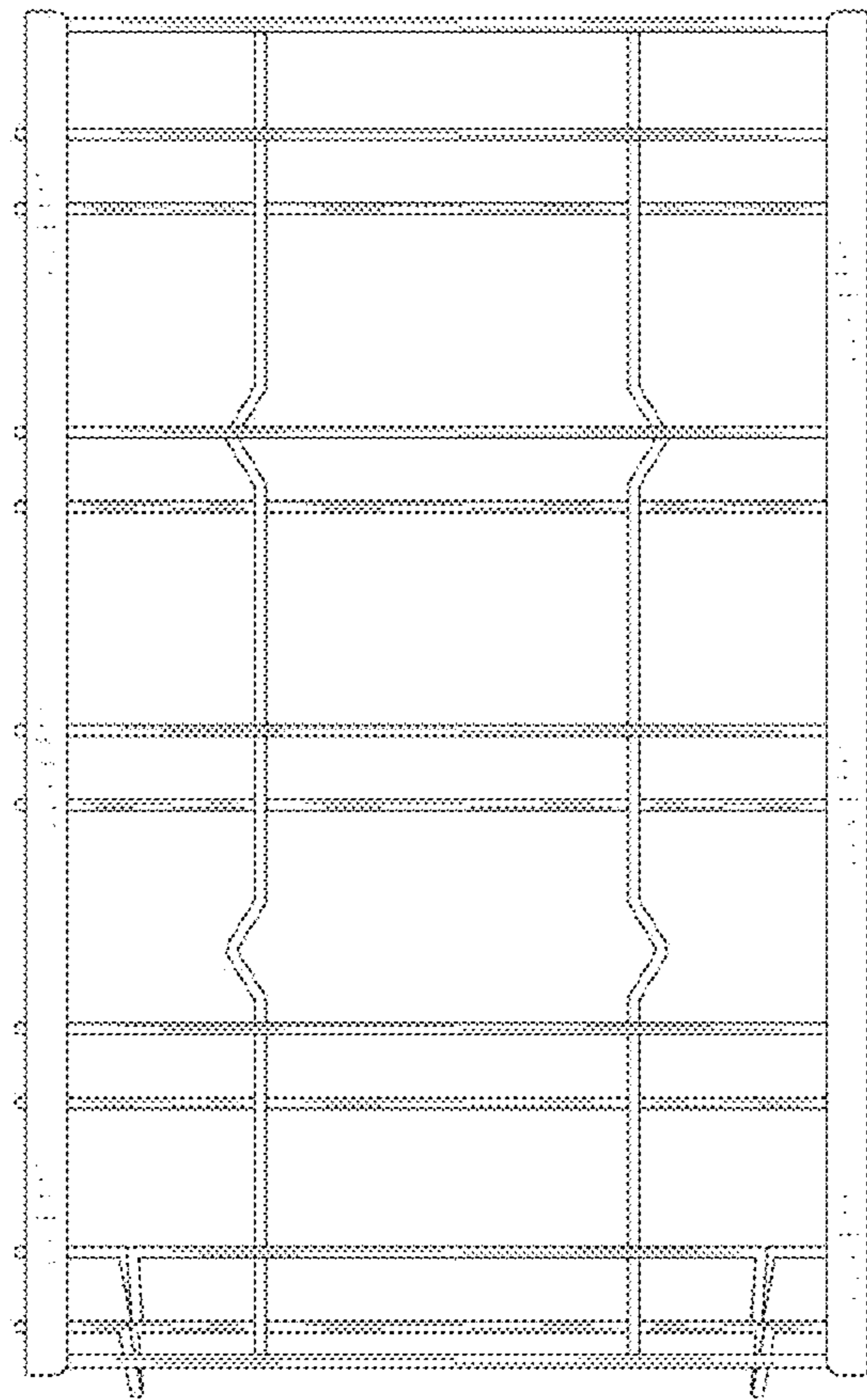


FIG. 2

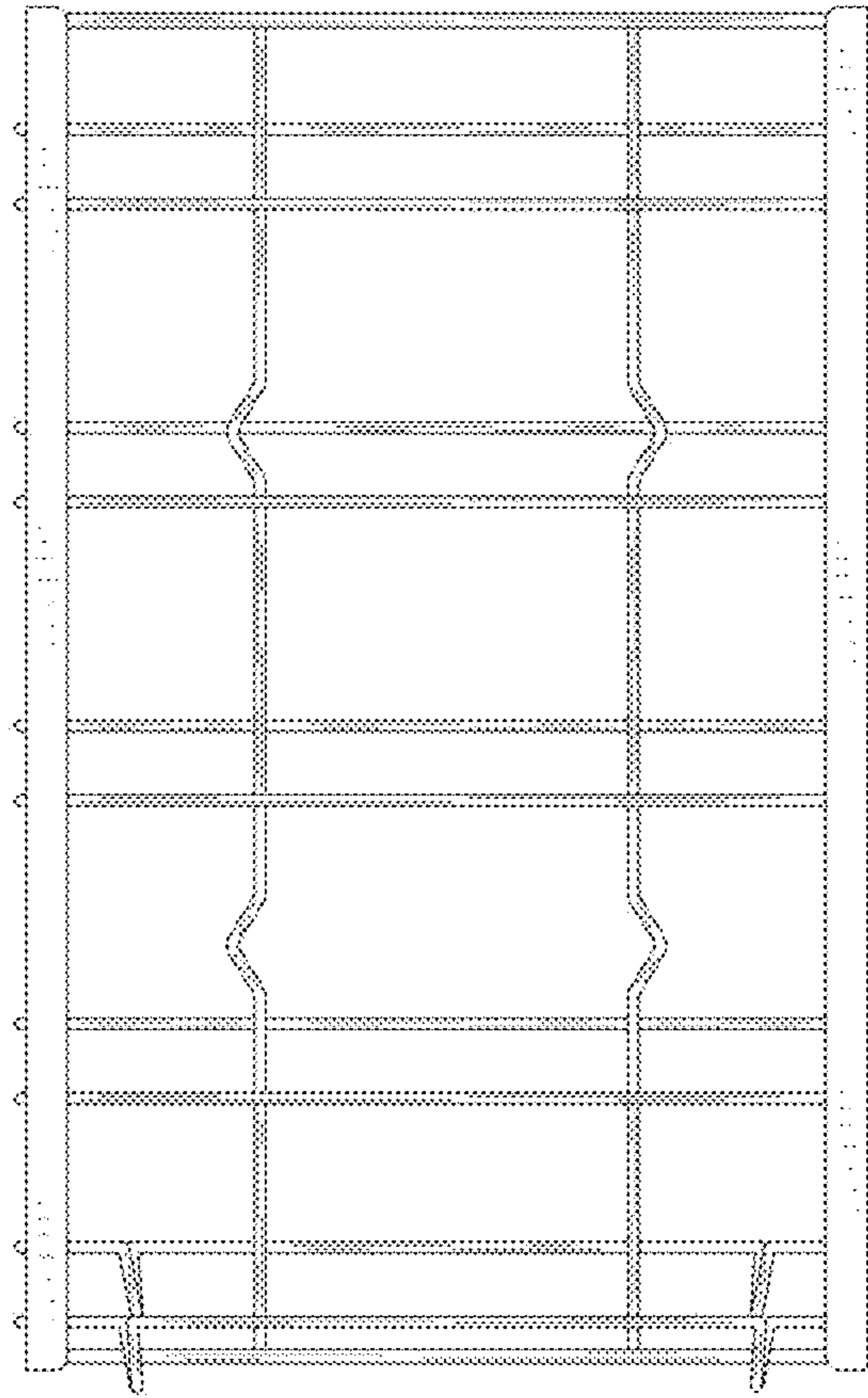


FIG. 3

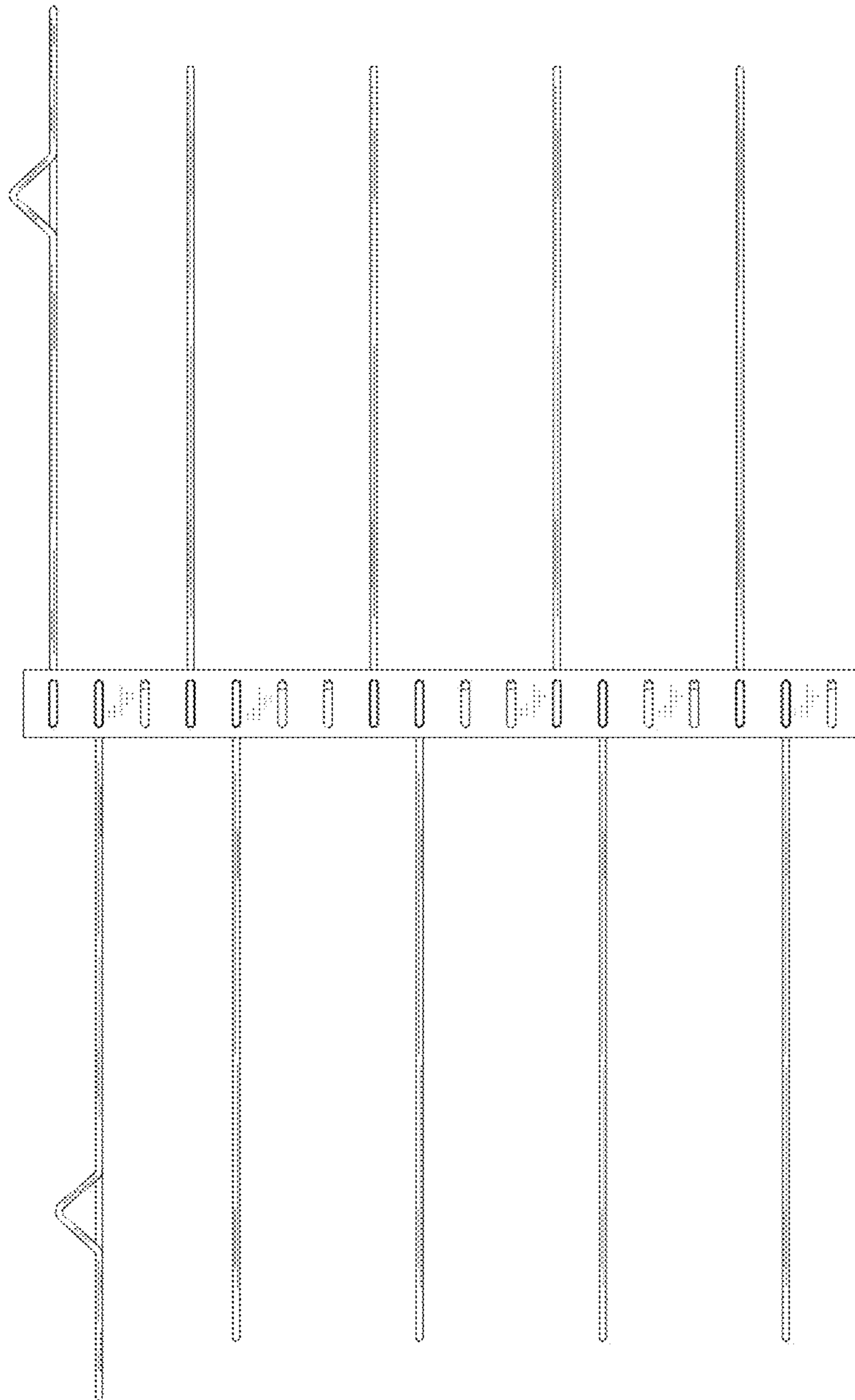


FIG. 4

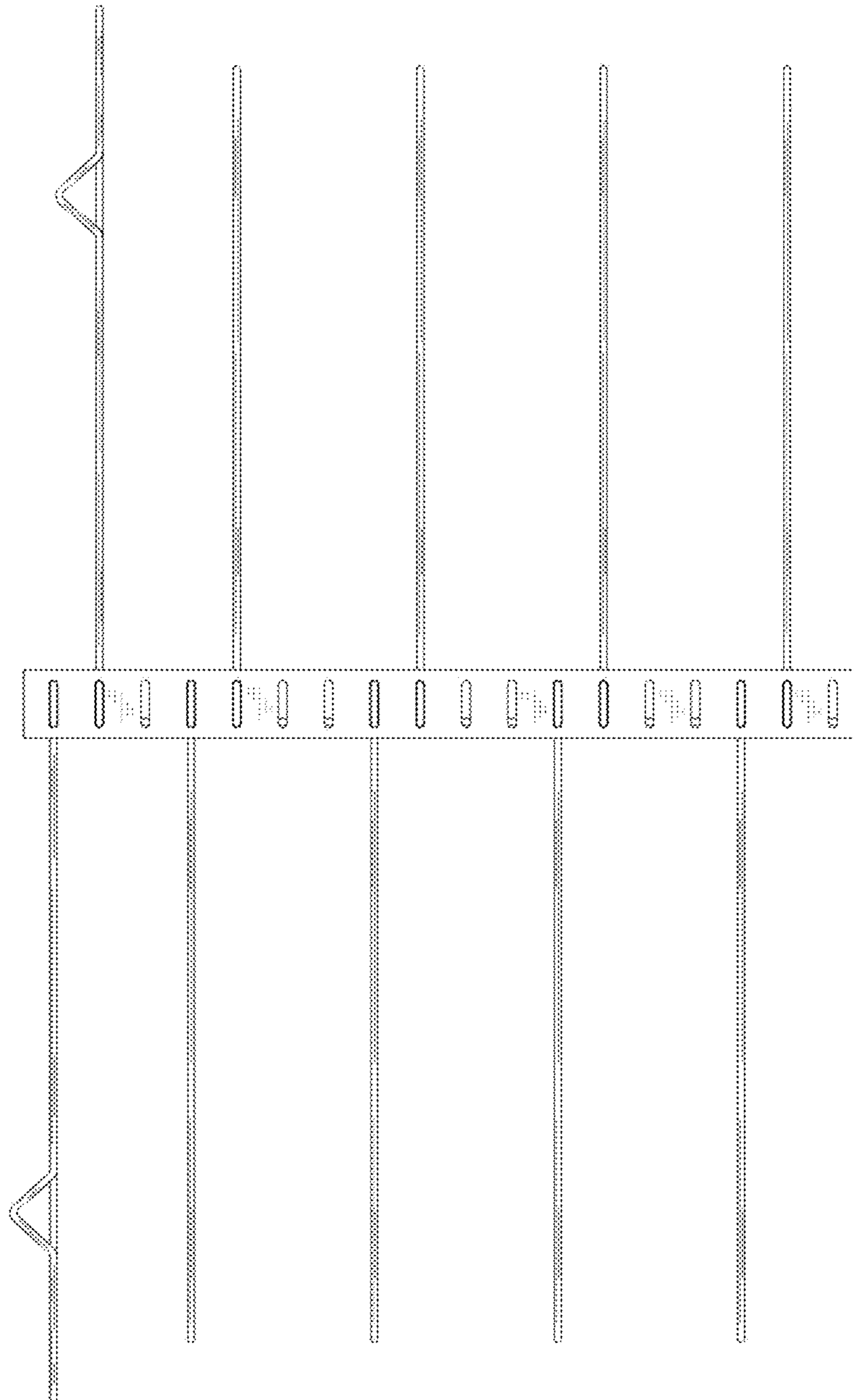


FIG. 5

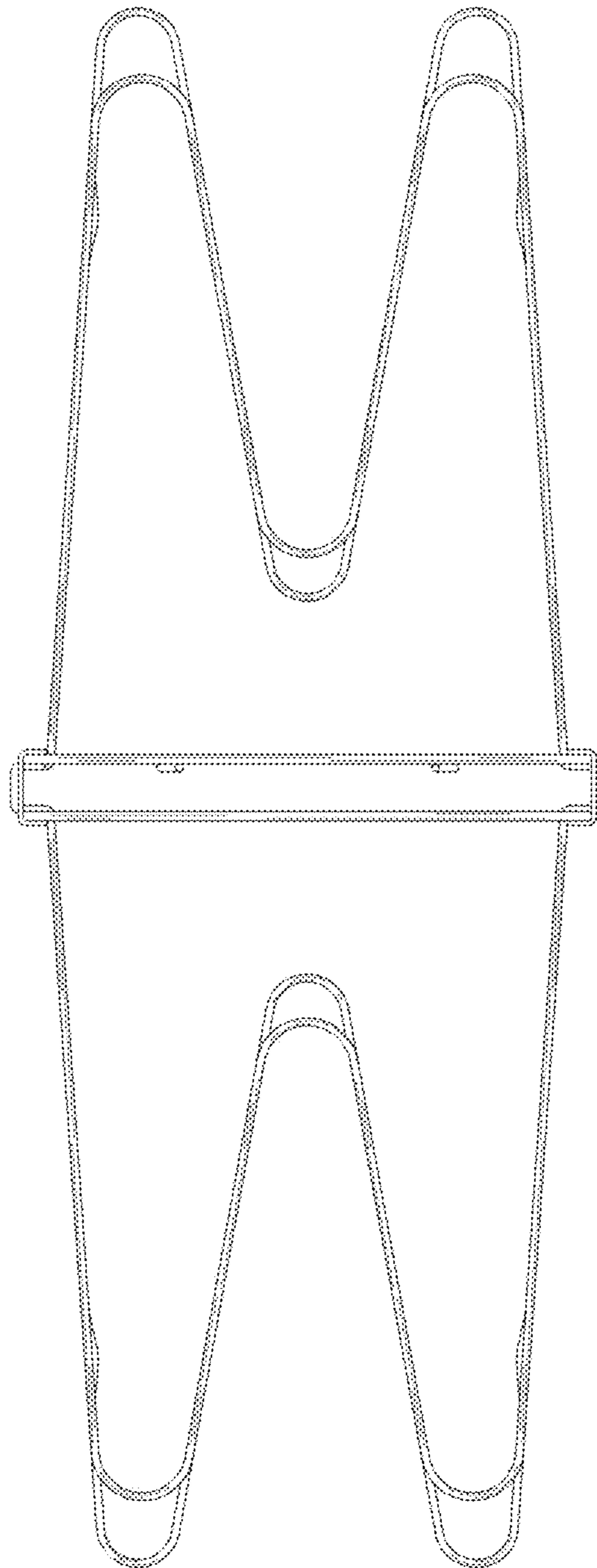


FIG. 6

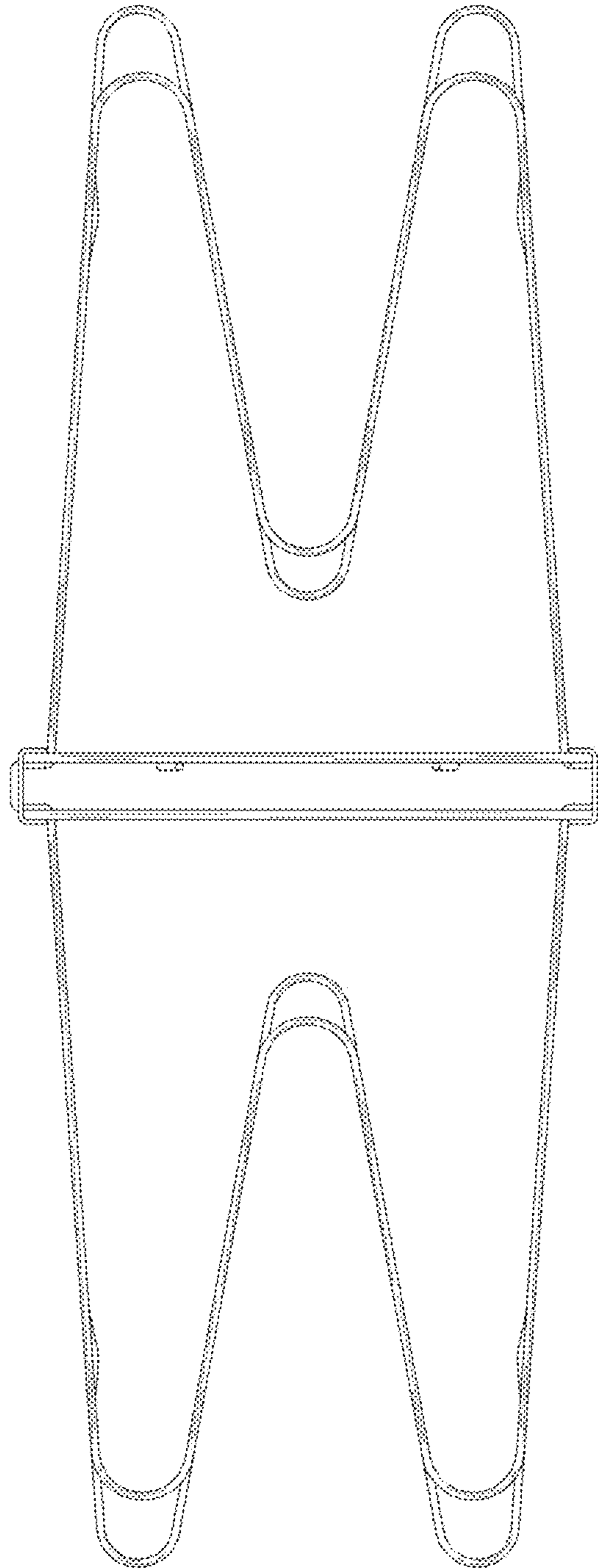


FIG. 7