



US00D970319S

(12) **United States Design Patent** (10) **Patent No.:** **US D970,319 S**
Xu (45) **Date of Patent:** **** Nov. 22, 2022**

(54) **LUNCH BOX**

(71) Applicant: **DONGGUAN OUMENG HOUSEWARE PRODUCTS CO., LTD**, Dongguan (CN)

(72) Inventor: **Jingsheng Xu**, Yueyang (CN)

(73) Assignee: **DONGGUAN OUMENG HOUSEWARE PRODUCTS CO., LTD**, Dongguan (CN)

(**) Term: **15 Years**

(21) Appl. No.: **29/844,209**

(22) Filed: **Jun. 28, 2022**

(51) **LOC (13) Cl.** **07-09**

(52) **U.S. Cl.**
USPC **D7/703; D7/629**

(58) **Field of Classification Search**
USPC D7/391, 392.1, 397, 500, 511, 538, D7/550.1, 553.2, 553.4, 553.5, 553.8, D7/554.3, 601, 602, 605, 607, 629, 630, D7/701, 703; D3/11, 201, 203.1, 203.2, D3/203.6, 212, 273, 901, 903, 904, 905; D9/416, 424, 425, 426, 430, 432, 435, D9/761; D19/102, 106
CPC A45C 11/20; A45C 11/34; A45F 3/46; A47G 23/04; B65D 1/26; B65D 1/40; B65D 5/24; B65D 81/00; B65D 81/18; B65D 81/34; B65D 81/3813; B65D 81/3453; B65D 2581/34; B65D 2581/3437

See application file for complete search history.

(56) **References Cited**

U.S. PATENT DOCUMENTS

6,021,891 A * 2/2000 Anderson A45C 11/34 206/214
D479,955 S 9/2003 Samartgis
D709,333 S * 7/2014 Stamatopoulos D7/630

D736,569 S * 8/2015 Bronwasser D7/629
D758,805 S * 6/2016 Myoung D7/629
D763,629 S * 8/2016 Swartz D7/629
D866,268 S * 11/2019 Tan D7/709
D878,876 S * 3/2020 Dalton D7/629
D880,957 S * 4/2020 Xu D7/629
D882,359 S * 4/2020 Xu D7/709

(Continued)

FOREIGN PATENT DOCUMENTS

CN 307105240 * 2/2022
GB 6128788 * 4/2021

OTHER PUBLICATIONS

OmieBox Bento Box for Kids, posted at Amazon.com on Nov. 10, 2015, [site visited Sep. 30, 2022]. Available from internet, URL: <<https://www.amazon.com/OmieBox-Bento-Box-Kids-Compartments/dp/B017SGIMV2/?th=1>> (Year: 2015).*

(Continued)

Primary Examiner — Andrew Kerr
Assistant Examiner — Chariton Alexakis

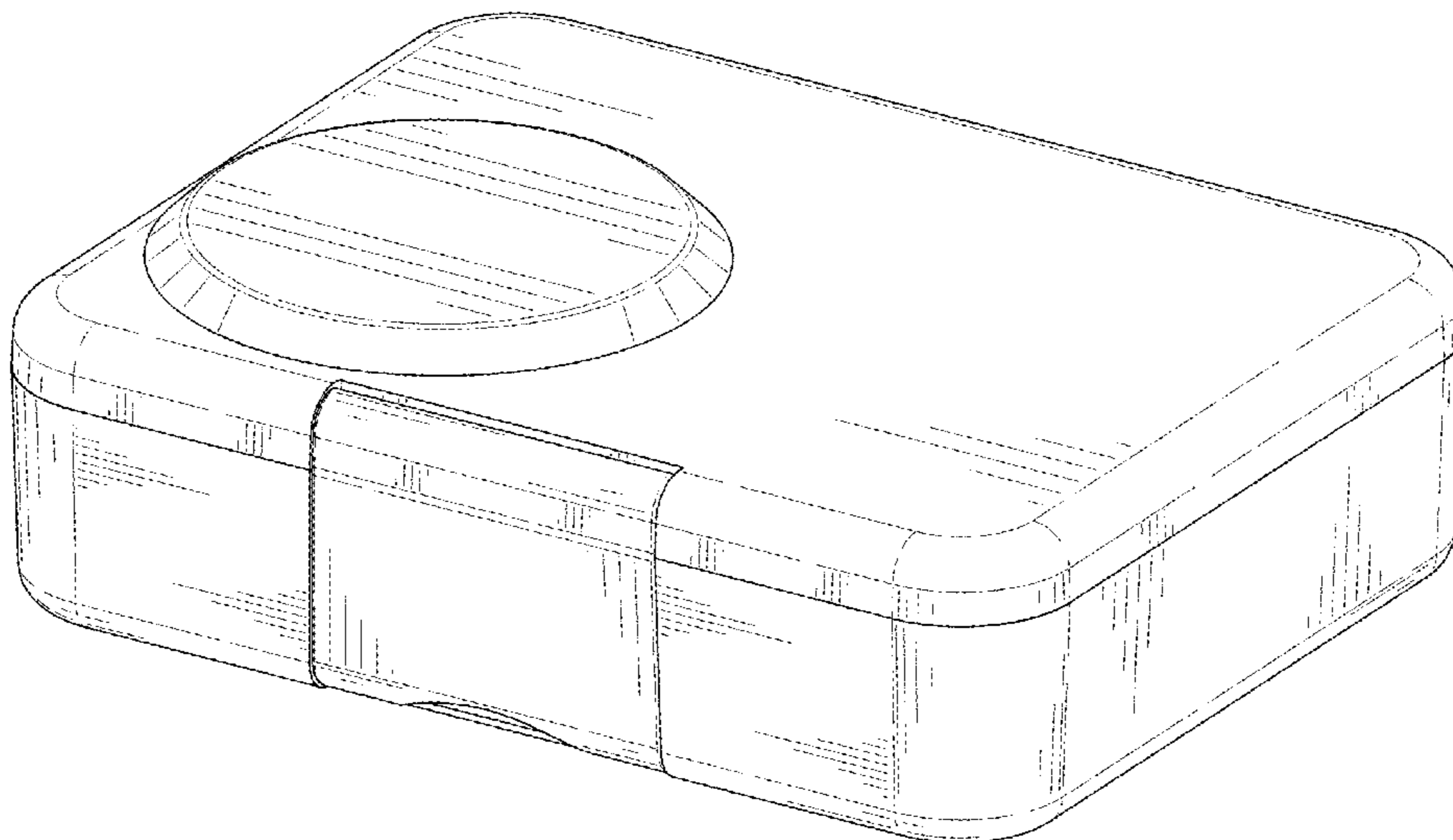
(57) **CLAIM**

The ornamental design for a lunch box, as shown and described.

DESCRIPTION

FIG. 1 is a perspective view of a lunch box showing my new design;
FIG. 2 is another perspective view thereof;
FIG. 3 is a front elevational view thereof;
FIG. 4 is a rear elevational view thereof;
FIG. 5 is a left side elevational view thereof;
FIG. 6 is a right side elevational view thereof;
FIG. 7 is a top plan view thereof; and,
FIG. 8 is a bottom plan view thereof.
The broken lines in the drawings depict portions of the lunch box that form no part of the claimed design.

1 Claim, 8 Drawing Sheets



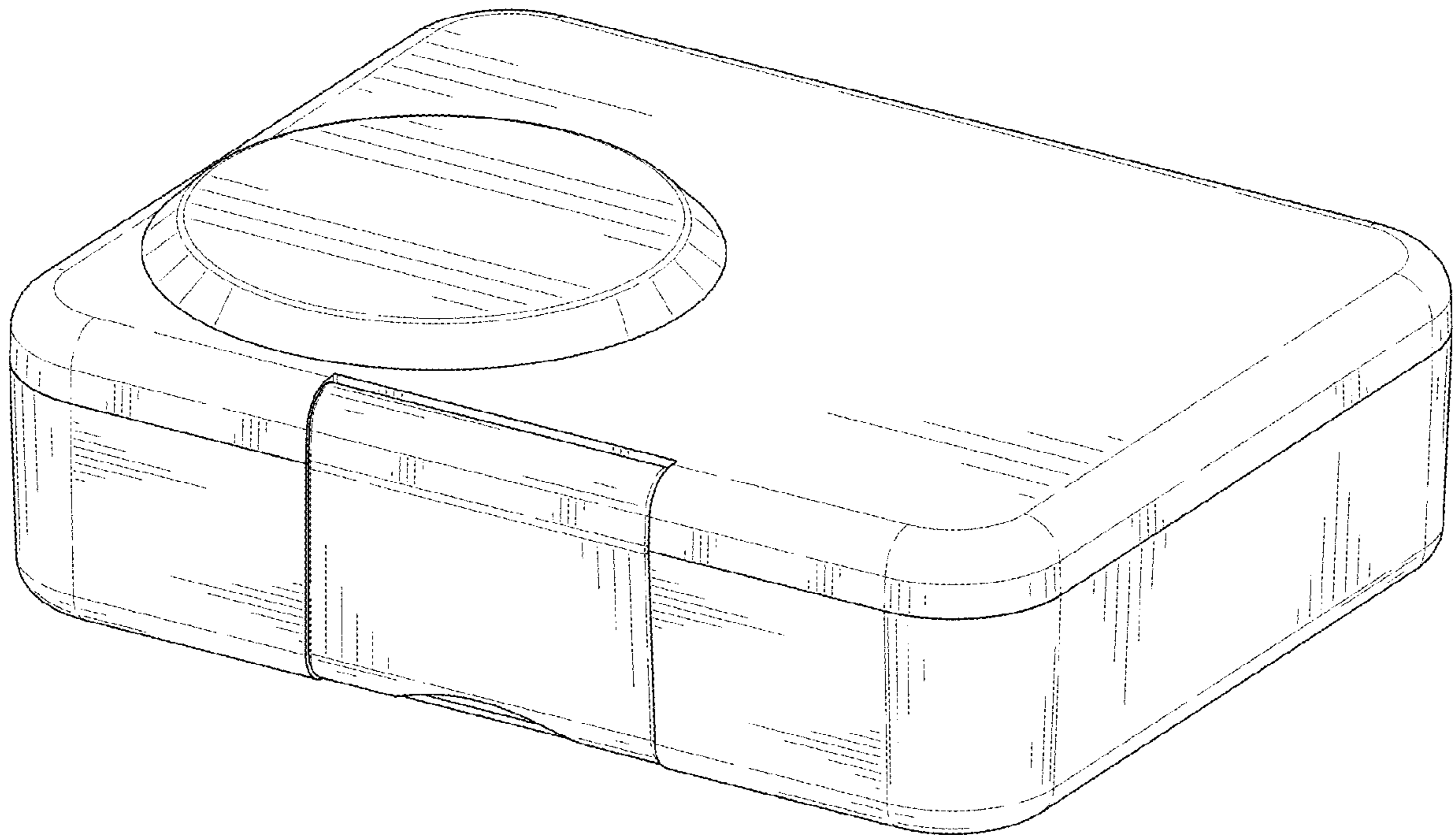


FIG. 1

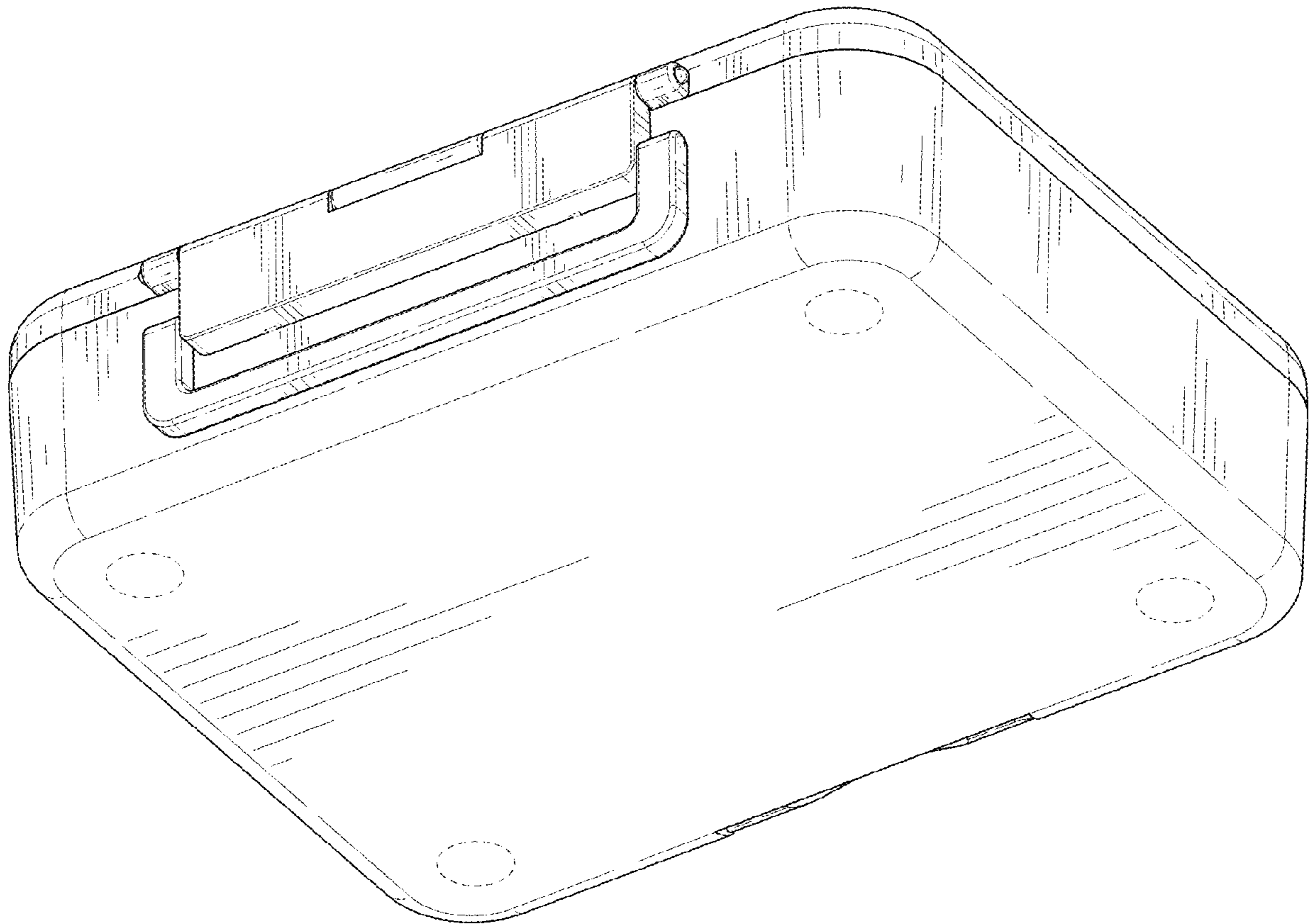


FIG. 2

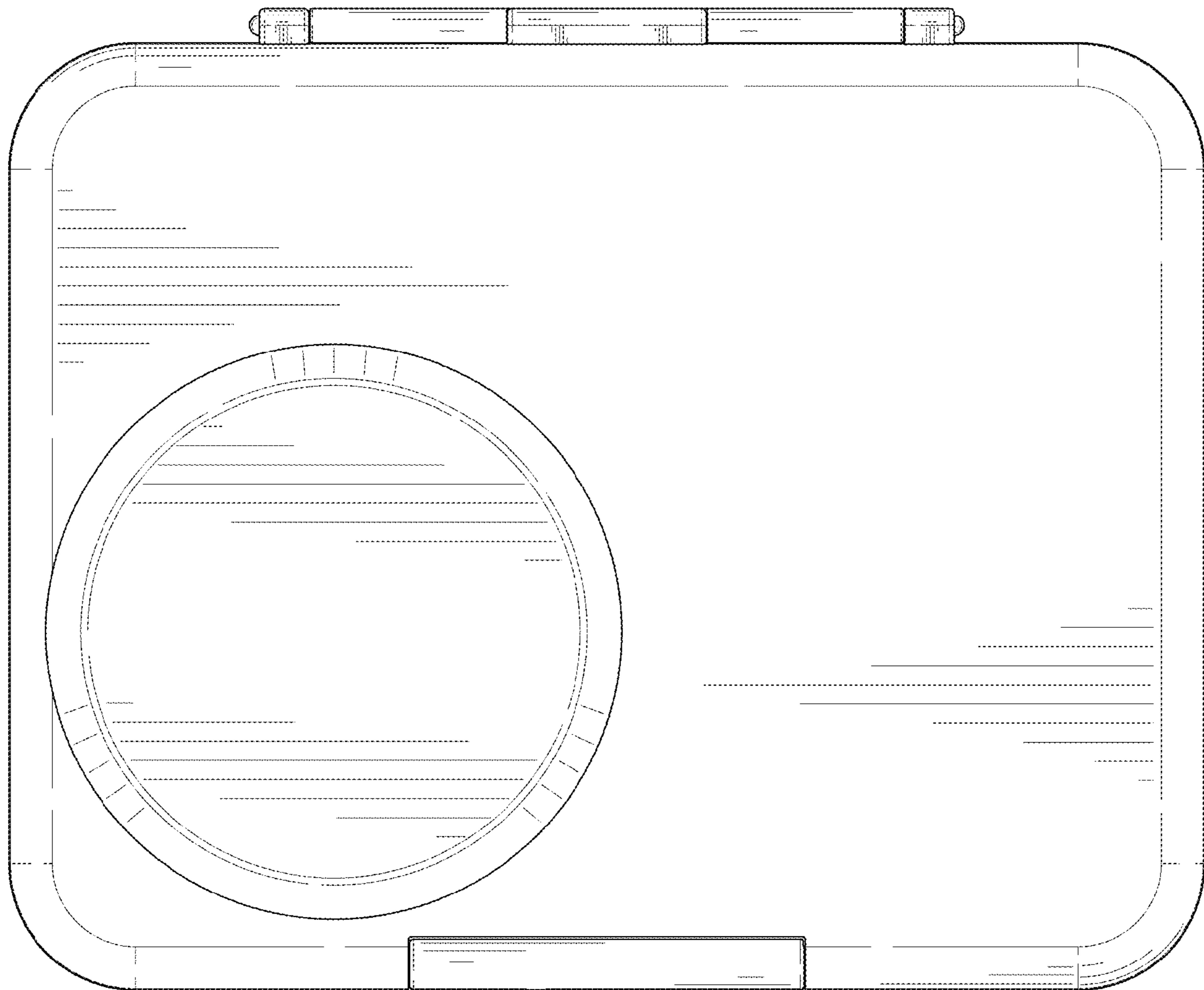


FIG. 3

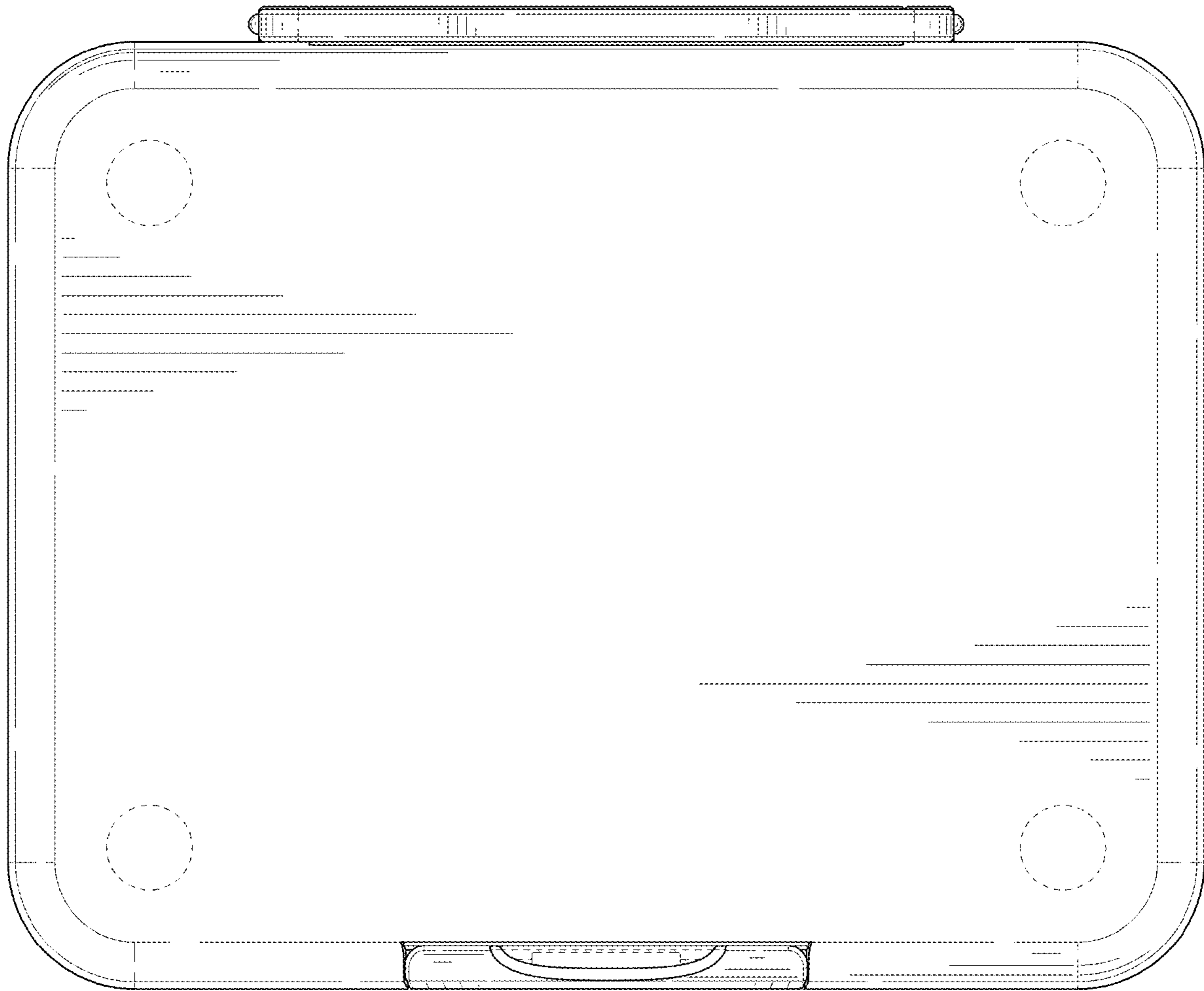


FIG. 4

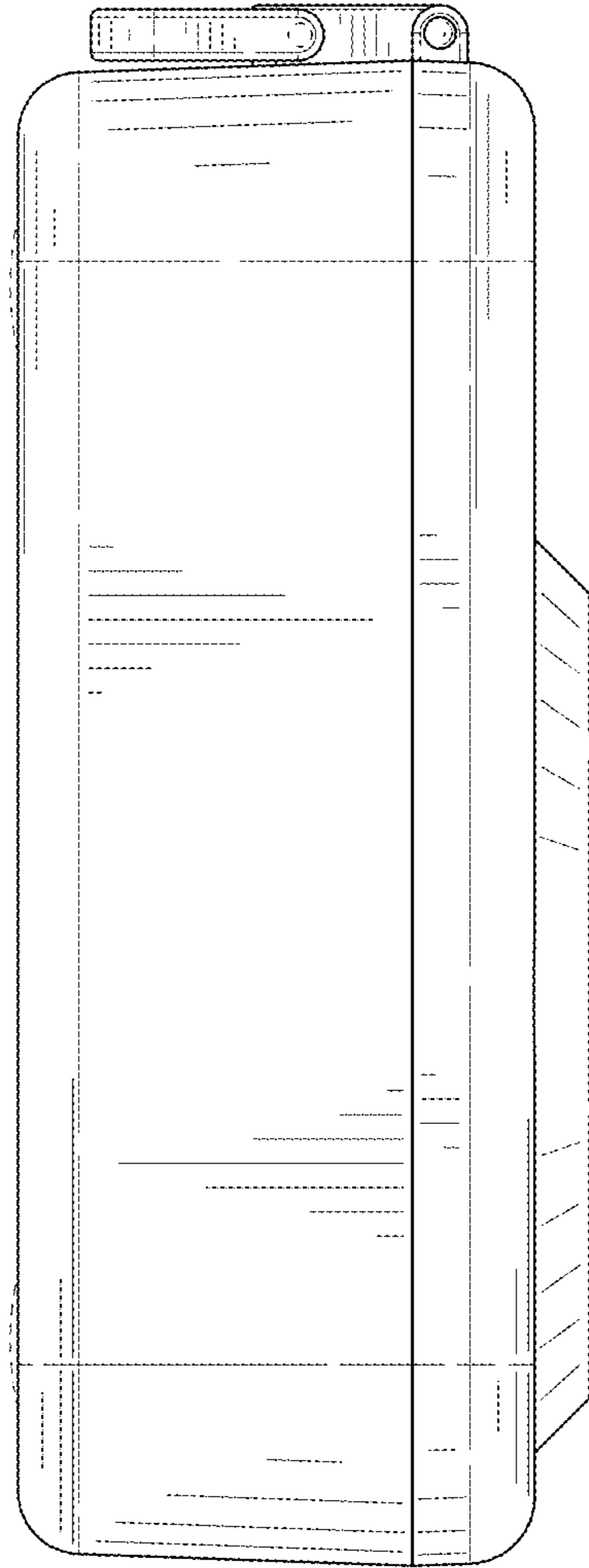


FIG. 5

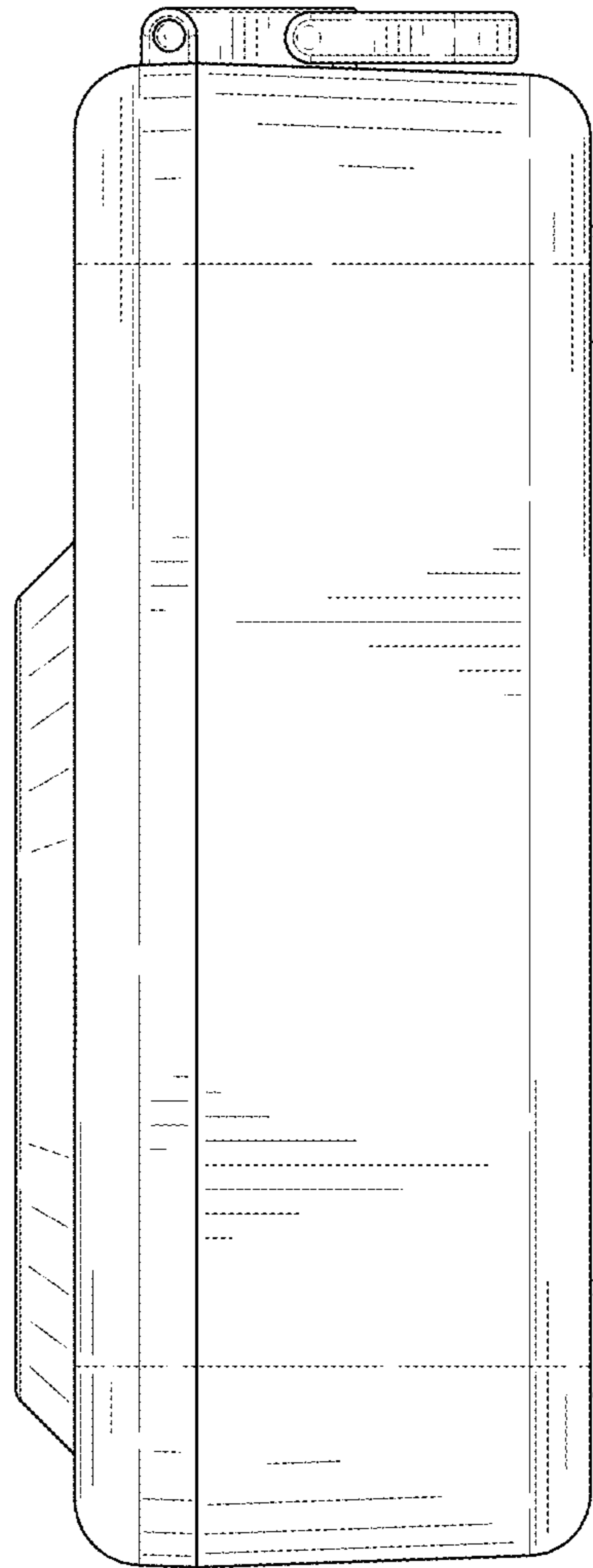


FIG. 6

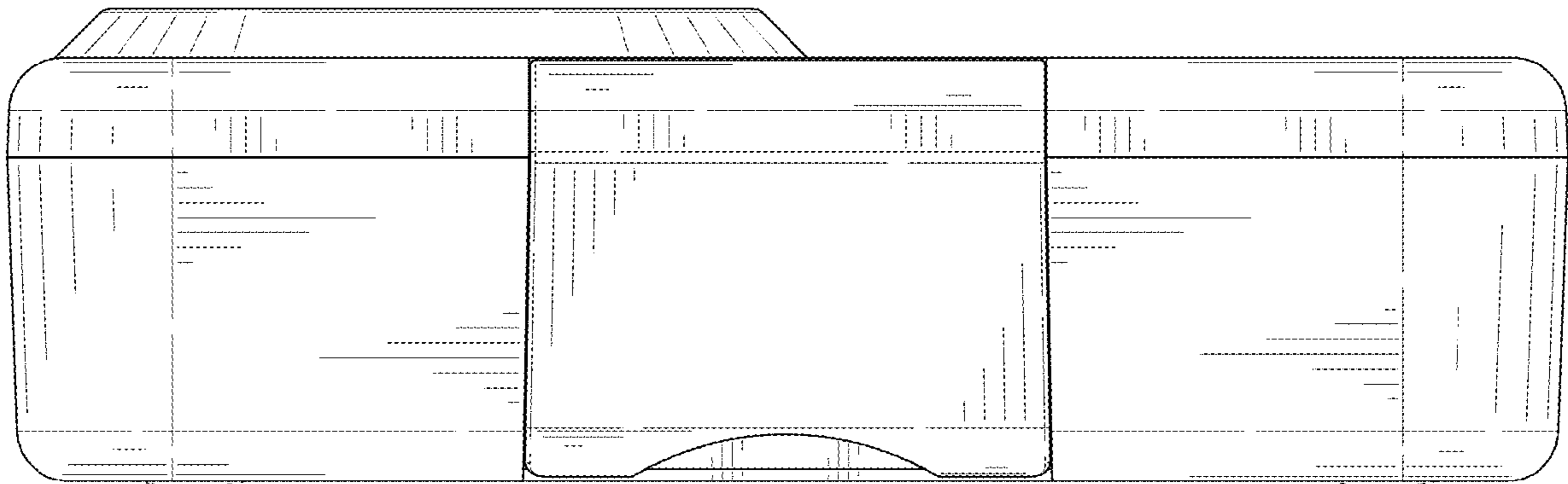


FIG. 7

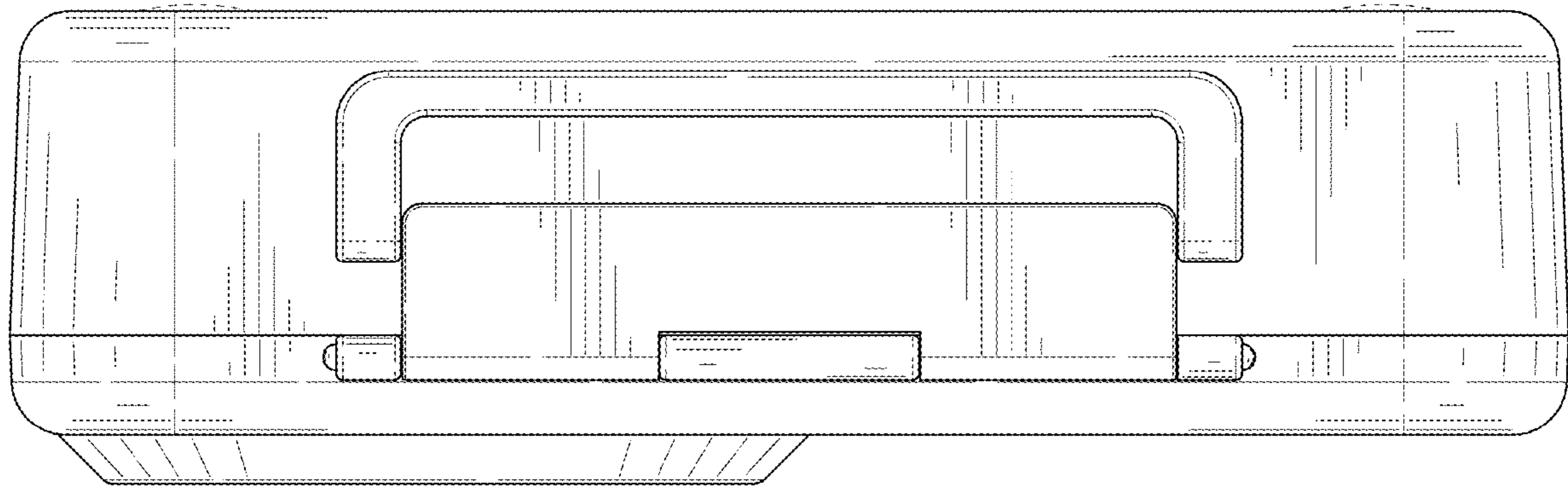


FIG. 8