



US00D970317S

(12) **United States Design Patent** (10) **Patent No.:** **US D970,317 S**
Dong (45) **Date of Patent:** **** Nov. 22, 2022**

(54) **BARTENDING TOOL HOLDER**
(71) Applicant: **JINHUA HEMING HOTEL SUPPLIES CO., LTD.,** Jinhua (CN)
(72) Inventor: **Shuting Dong,** Zhejiang (CN)
(**) Term: **15 Years**
(21) Appl. No.: **29/832,896**
(22) Filed: **Mar. 30, 2022**
(51) **LOC (13) Cl.** **06-04**
(52) **U.S. Cl.**
USPC **D7/701**
(58) **Field of Classification Search**
USPC D7/701, 707, 708, 600.1-600.4;
D6/682.2, 552.2, 525, 527, 528, 534, 535;
D3/313
CPC A47B 73/00; A47B 73/006; A47B 73/004;
A47B 13/16; A47G 23/0641; A47G
23/06; A47G 23/0208; A47G 23/02;
A47G 23/0241; A47F 5/16; A47F 7/28;
A47F 7/283; B25H 3/04; A47J 47/16
See application file for complete search history.

D911,790 S 3/2021 Wang
D916,568 S 4/2021 Wang
D917,246 S 4/2021 Wang
D918,677 S 5/2021 Wang
D938,789 S 12/2021 Tu
D938,790 S 12/2021 Tu
2016/0120349 A1* 5/2016 Boyatt A47G 23/0641
206/562

OTHER PUBLICATIONS

Amazon.com, BTUQBU Bartender Kit with Stand, ASIN: B09QFRVXL4, 13 pages, date first available Jan. 14, 2022 (Year: 2022).*
Amazon.com, Skycasa Cocktail Shaker Set, Bartender Kit with Stand, ASIN: B09X1CF3RH, 8 pages, date retrieved from Amazon.com Aug. 12, 2022 (Year: 2022).*

* cited by examiner

Primary Examiner — Terry A Wallace
(74) *Attorney, Agent, or Firm* — SciNova IP and Regulatory Consulting LLC; Jingfeng Song

(57) **CLAIM**

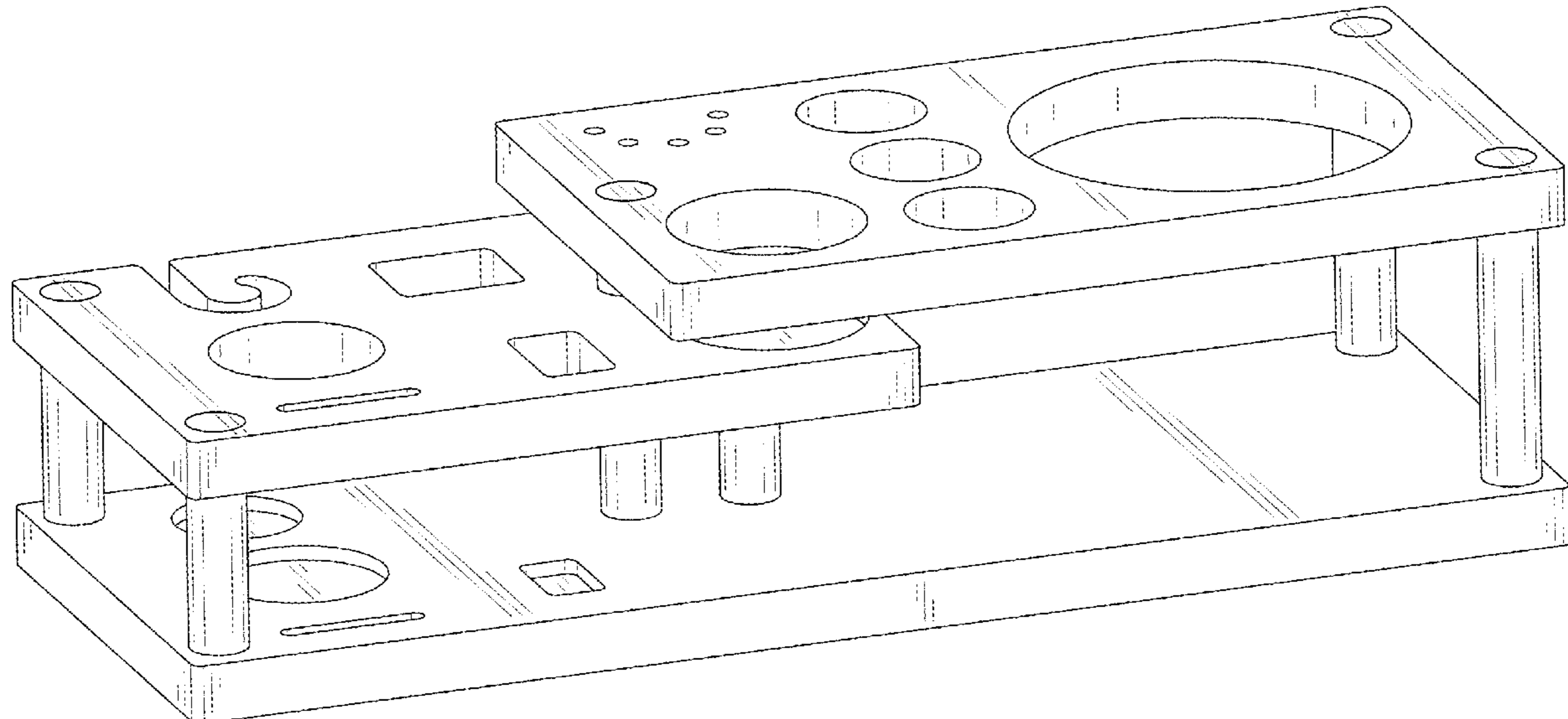
The ornamental design for a bartending tool holder, as shown and described.

DESCRIPTION

FIG. 1 is a perspective view of a bartending tool holder, showing my new design;
FIG. 2 is another perspective view thereof;
FIG. 3 is a front elevational view thereof;
FIG. 4 is a rear elevational view thereof;
FIG. 5 is a left elevational view thereof;
FIG. 6 is a right elevational view thereof;
FIG. 7 is a top plan view thereof; and,
FIG. 8 is a bottom plan view thereof.

1 Claim, 8 Drawing Sheets

(56) **References Cited**
U.S. PATENT DOCUMENTS
D127,900 S * 6/1941 Block D6/699
D129,530 S * 9/1941 Manaster D7/706
D229,816 S * 1/1974 Wynveen D7/701
4,947,991 A * 8/1990 Snell A47B 13/16
206/427
D505,841 S * 6/2005 Fiedeler D7/637
D880,964 S * 4/2020 Wang D7/701
D884,441 S * 5/2020 Eiler
D907,450 S * 1/2021 Yang D7/701
D911,789 S 3/2021 Wang



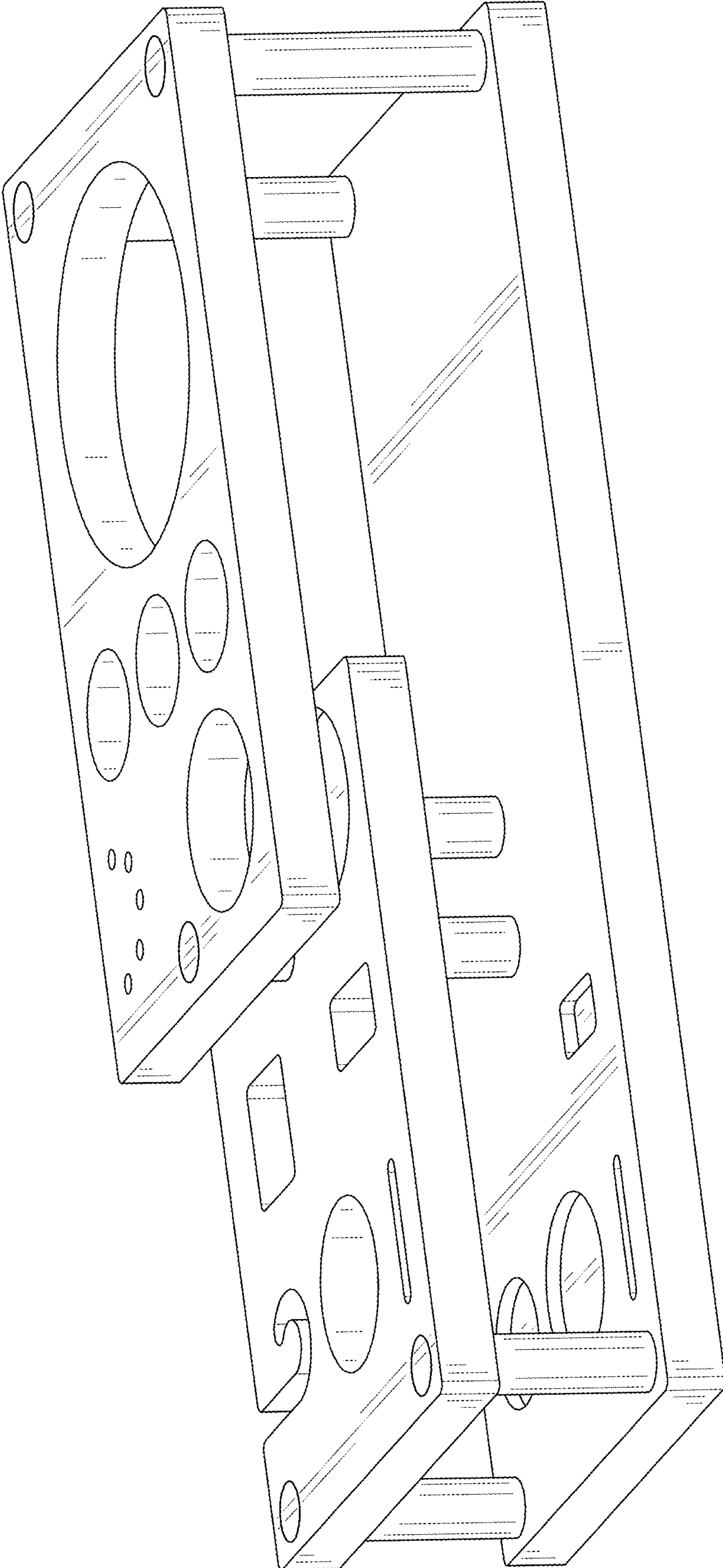


FIG. 1

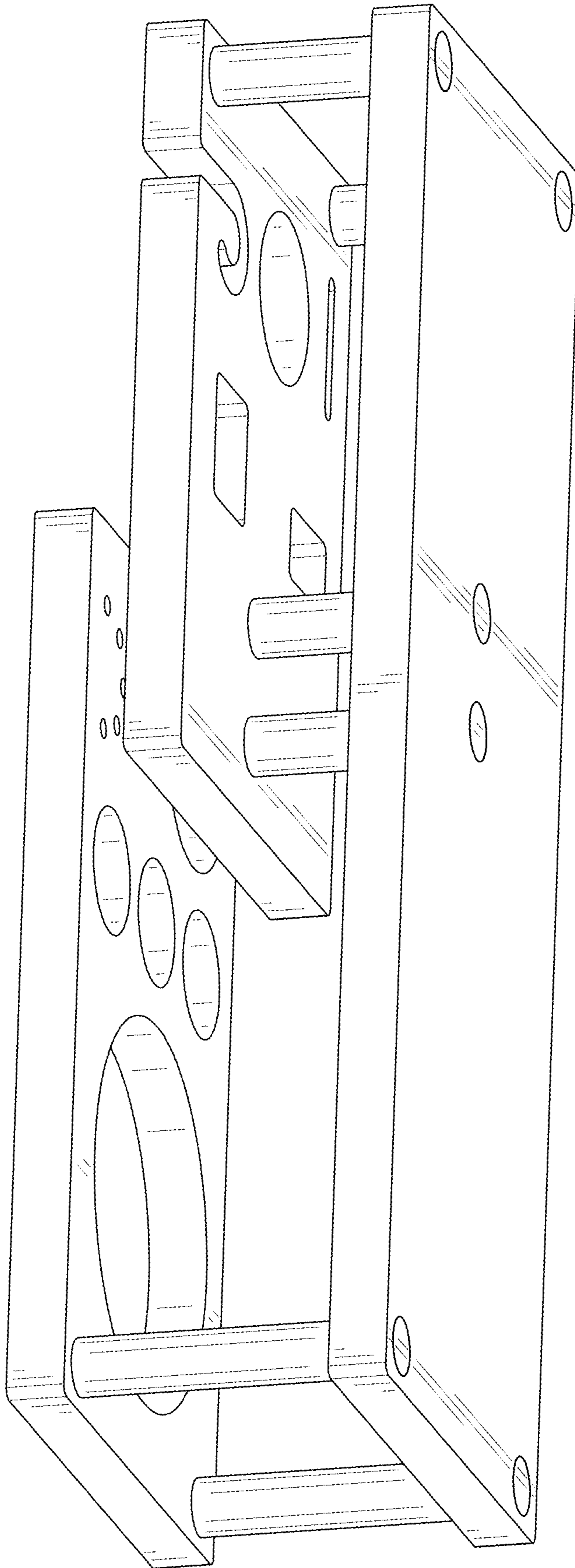


FIG. 2

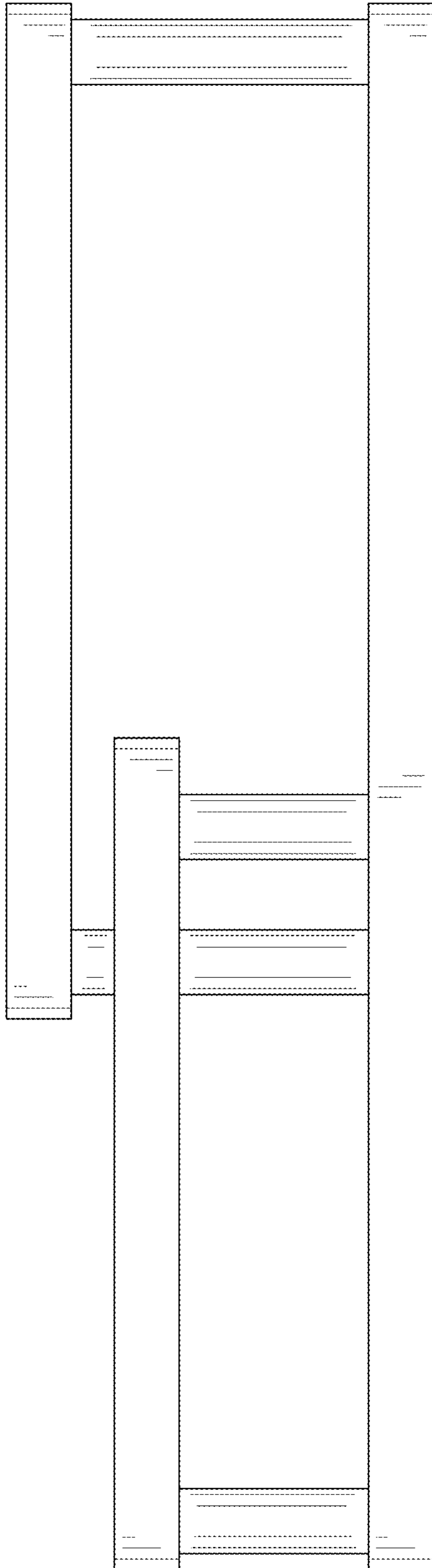


FIG. 3

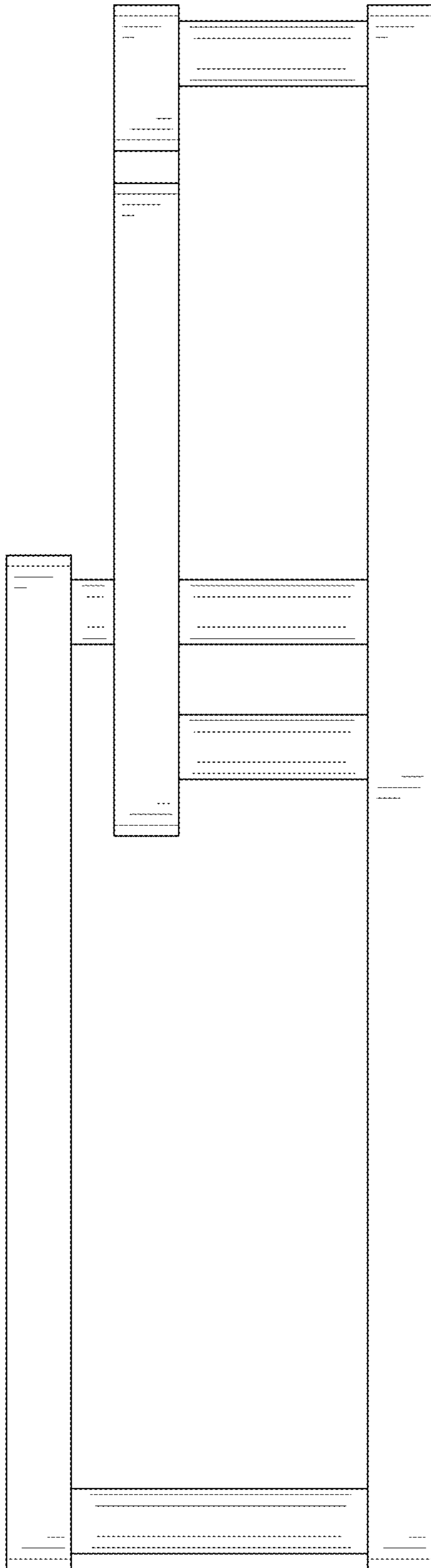


FIG. 4

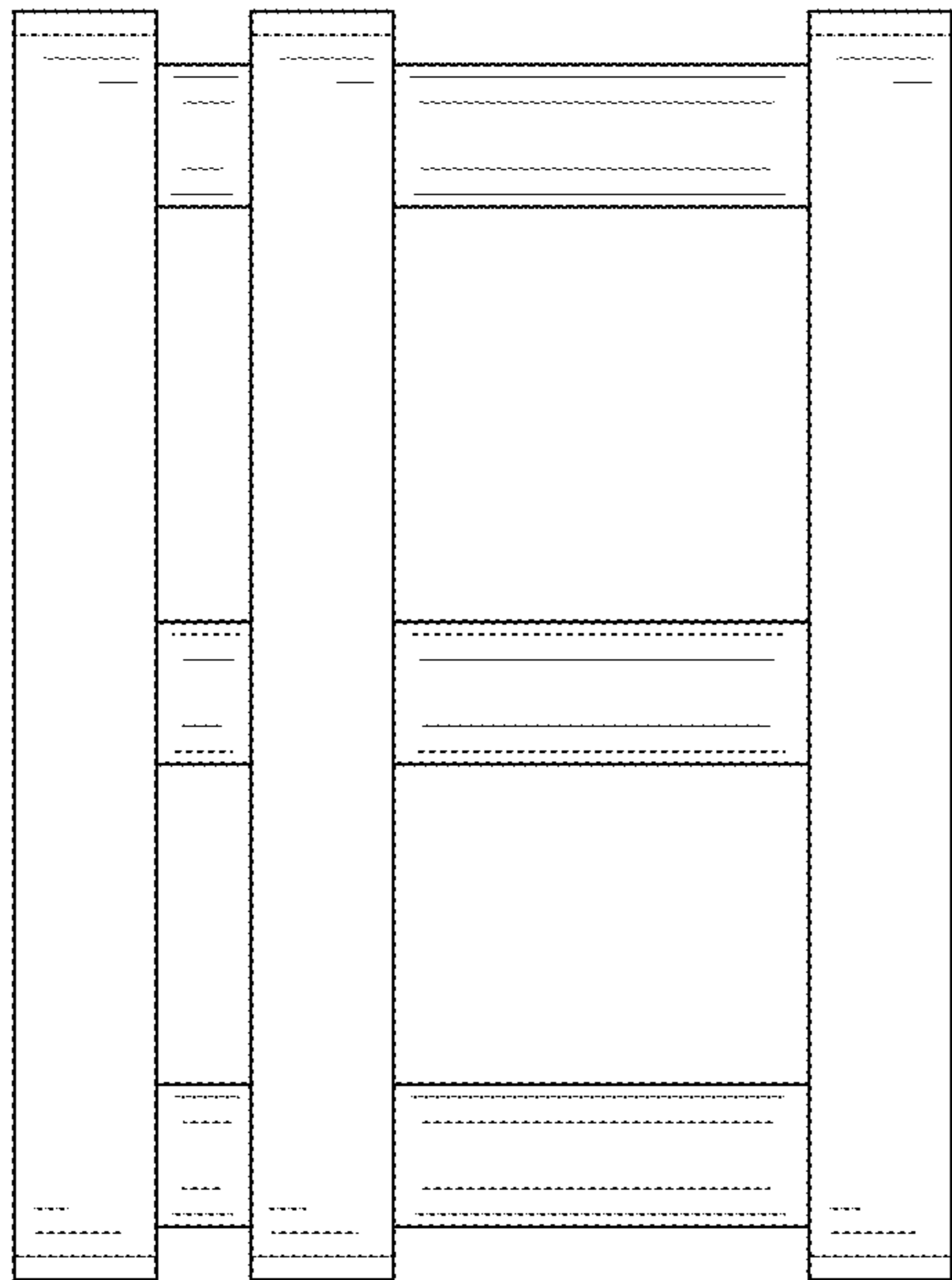


FIG. 5

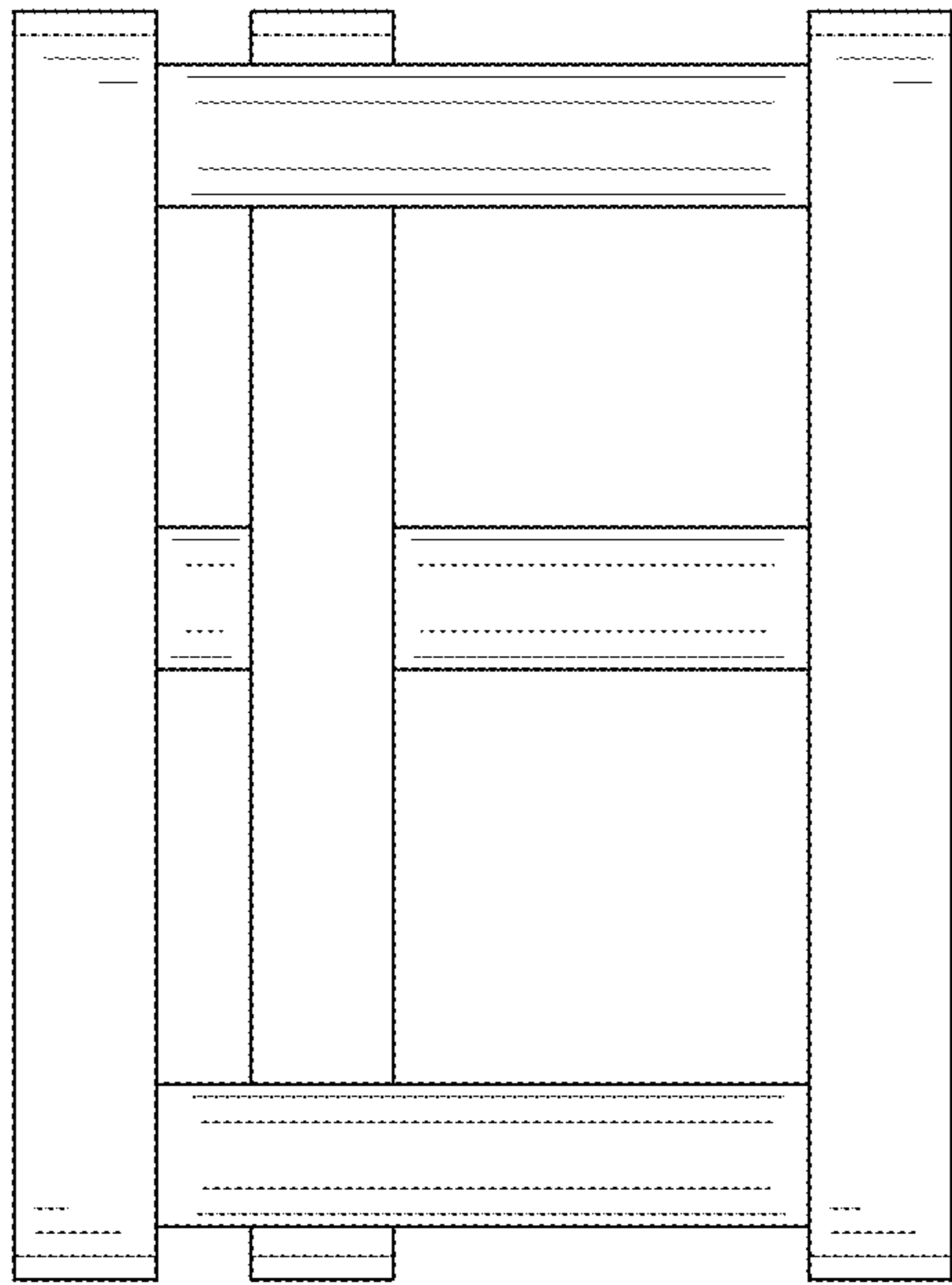


FIG. 6

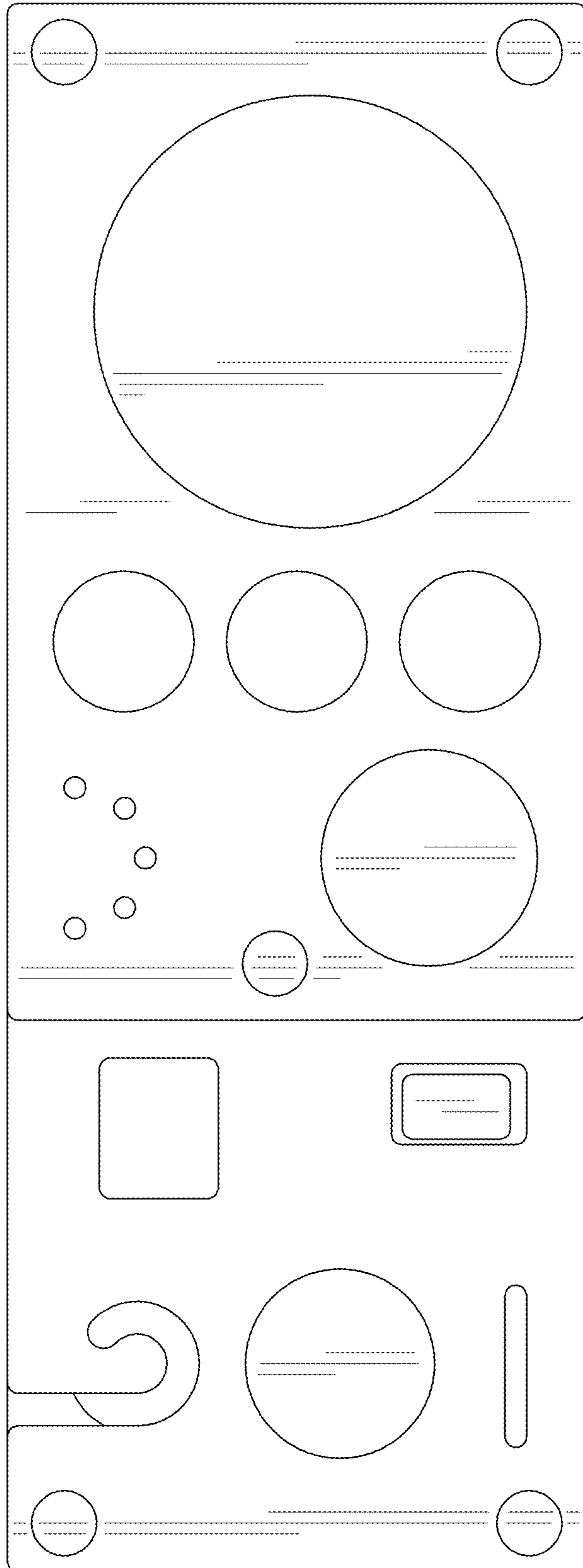


FIG. 7

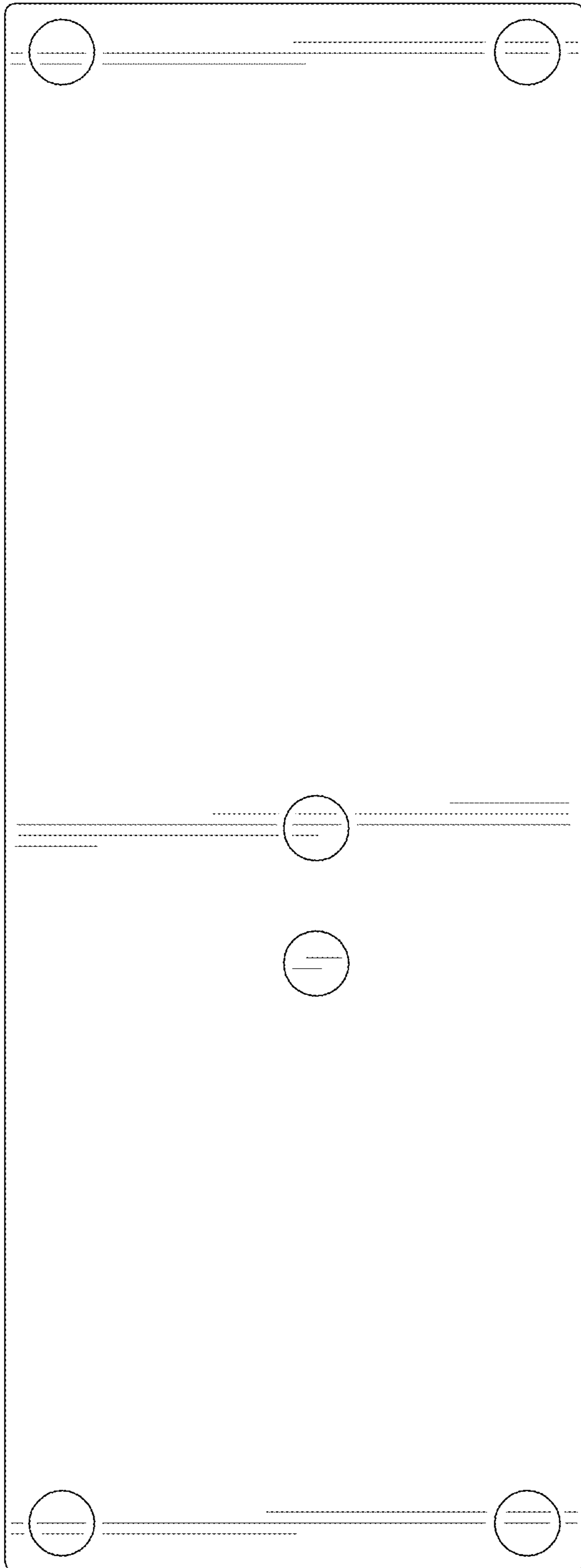


FIG. 8