



US00D970316S

(12) **United States Design Patent**
Dong

(10) **Patent No.:** **US D970,316 S**

(45) **Date of Patent:** **** Nov. 22, 2022**

(54) **BARTENDING TOOL HOLDER**

(71) Applicant: **JINHUA HEMING HOTEL SUPPLIES CO., LTD.**, Jinhua (CN)

(72) Inventor: **Shuting Dong**, Zhejiang (CN)

(**) Term: **15 Years**

(21) Appl. No.: **29/832,878**

(22) Filed: **Mar. 30, 2022**

(51) **LOC (13) Cl.** **06-04**

(52) **U.S. Cl.**
USPC **D7/701**

(58) **Field of Classification Search**
USPC D7/701, 707, 708, 600.1-600.4;
D6/682.2, 552.2, 525, 527, 528, 534, 535;
D3/313
CPC A47B 73/00; A47B 73/006; A47B 73/004;
A47B 13/16; A47G 23/0641; A47G
23/06; A47G 23/0208; A47G 23/02;
A47G 23/0241; A47F 5/16; A47F 7/28;
A47F 7/283; B25H 3/04; A47J 47/16
See application file for complete search history.

D917,246 S 4/2021 Wang
D918,677 S 5/2021 Wang
D938,789 S 12/2021 Tu
D938,790 S 12/2021 Tu
2016/0120349 A1* 5/2016 Boyatt A47G 23/0641
206/562

OTHER PUBLICATIONS

Amazon.com, ADTZYLD Cocktail Shaker Set, Bartender Stand, ASIN: B086X5RQRG, 13 pages, date first available Apr. 9, 2020 (Year: 2020).*

Amazon.com, Sunpin, Cocktail Shaker, Bartender Kit with Bamboo Stand, ASIN: B09DC3PCBX, 10 pages date first available Aug. 23, 2021 (Year: 2021).*

* cited by examiner

Primary Examiner — Terry A Wallace
(74) *Attorney, Agent, or Firm* — SciNova IP and Regulatory Consulting LLC; Jingfeng Song

(57) **CLAIM**

The ornamental design for a bartending tool holder, as shown and described.

(56) **References Cited**

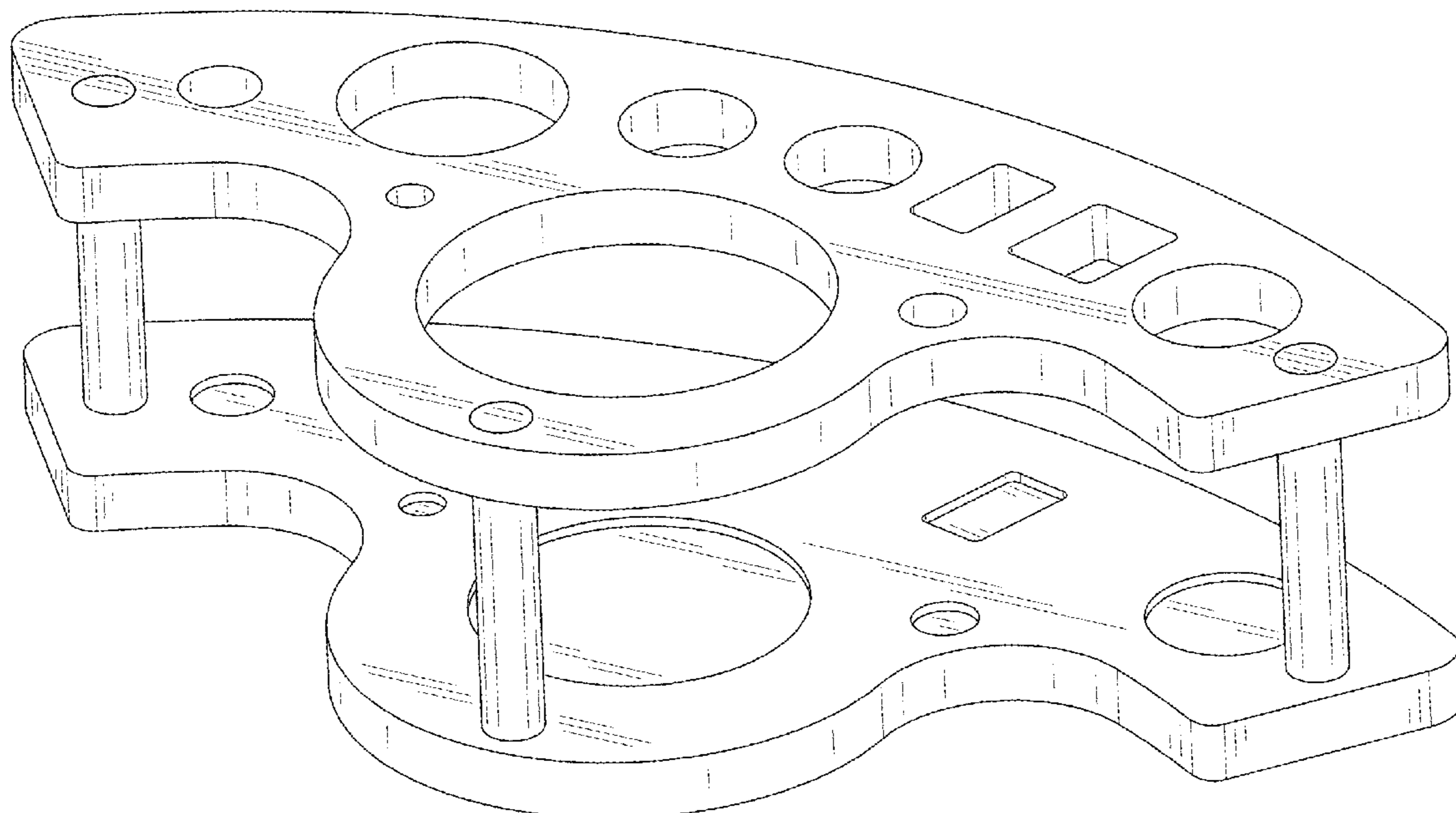
U.S. PATENT DOCUMENTS

D127,900 S *	6/1941	Block	D6/699
D129,530 S *	9/1941	Manaster	D7/706
D229,816 S *	1/1974	Wynveen	D7/701
4,947,991 A *	8/1990	Snell	A47B 13/16 206/427
D505,841 S *	6/2005	Fiedeler	D7/637
D880,964 S *	4/2020	Wang	D7/701
D884,441 S	5/2020	Eiler		
D911,789 S	3/2021	Wang		
D911,790 S	3/2021	Wang		
D916,568 S	4/2021	Wang		

DESCRIPTION

FIG. 1 is a perspective view of a bartending tool holder, showing my new design;
FIG. 2 is another perspective view thereof;
FIG. 3 is a front elevational view thereof;
FIG. 4 is a rear elevational view thereof;
FIG. 5 is a left elevational view thereof;
FIG. 6 is a right elevational view thereof;
FIG. 7 is a top plan view thereof; and,
FIG. 8 is a bottom plan view thereof.

1 Claim, 8 Drawing Sheets



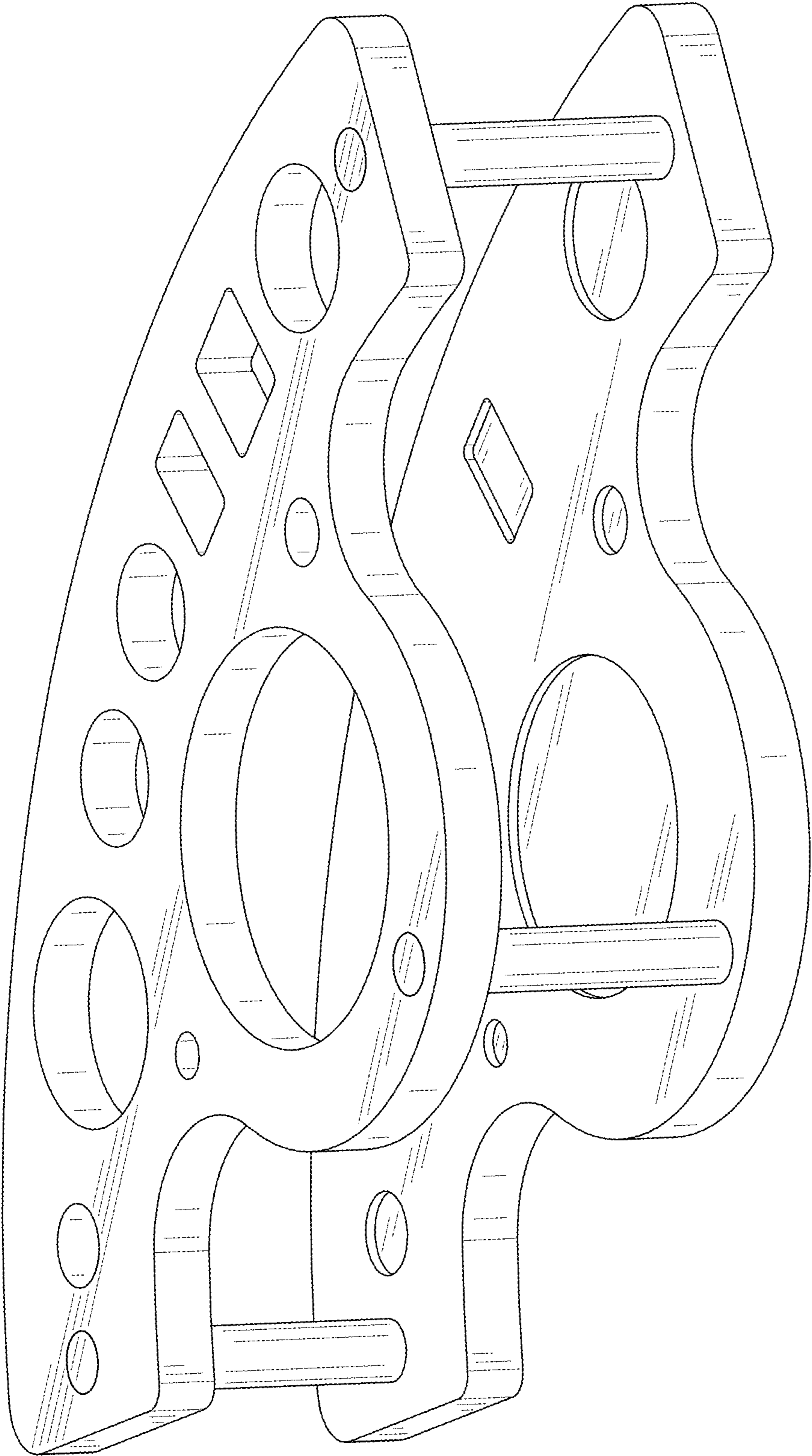


FIG. 1

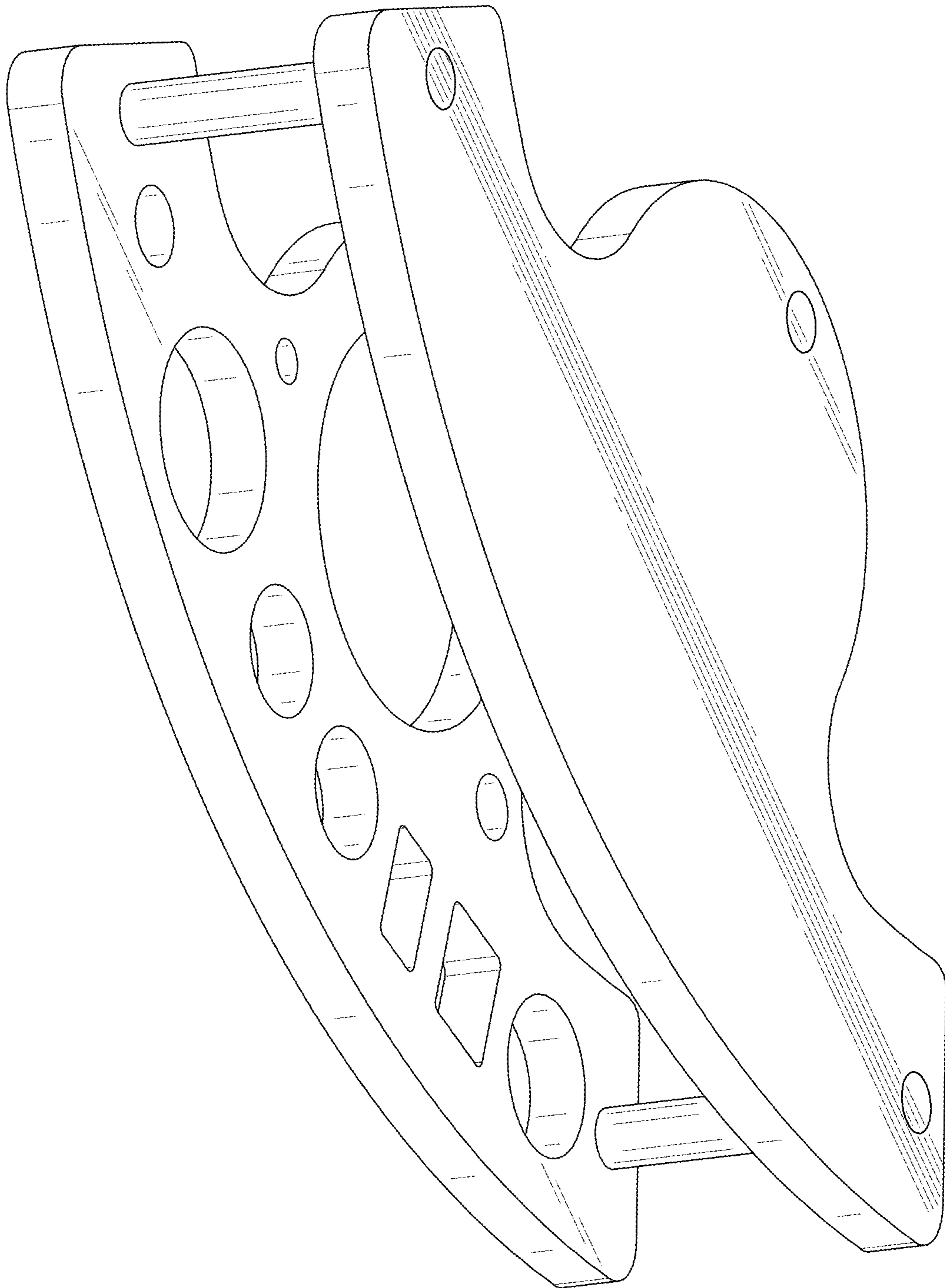


FIG. 2

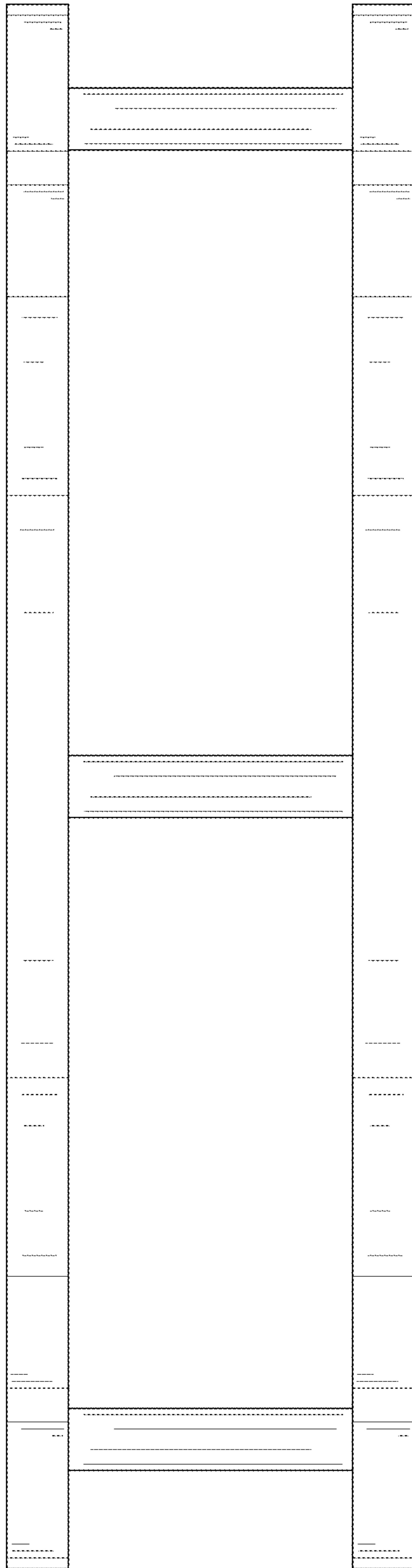


FIG. 3

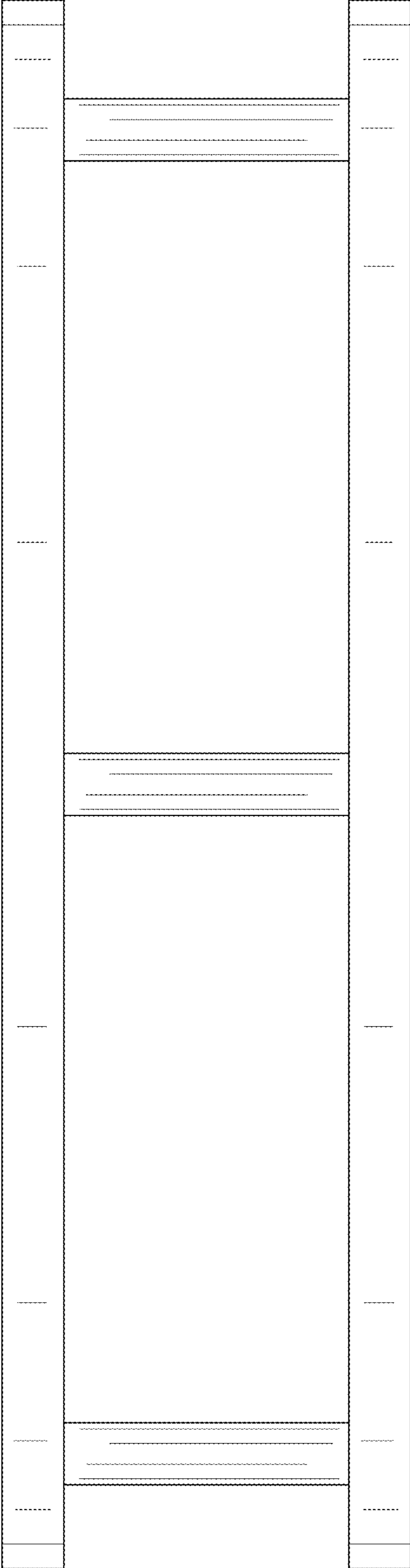


FIG. 4

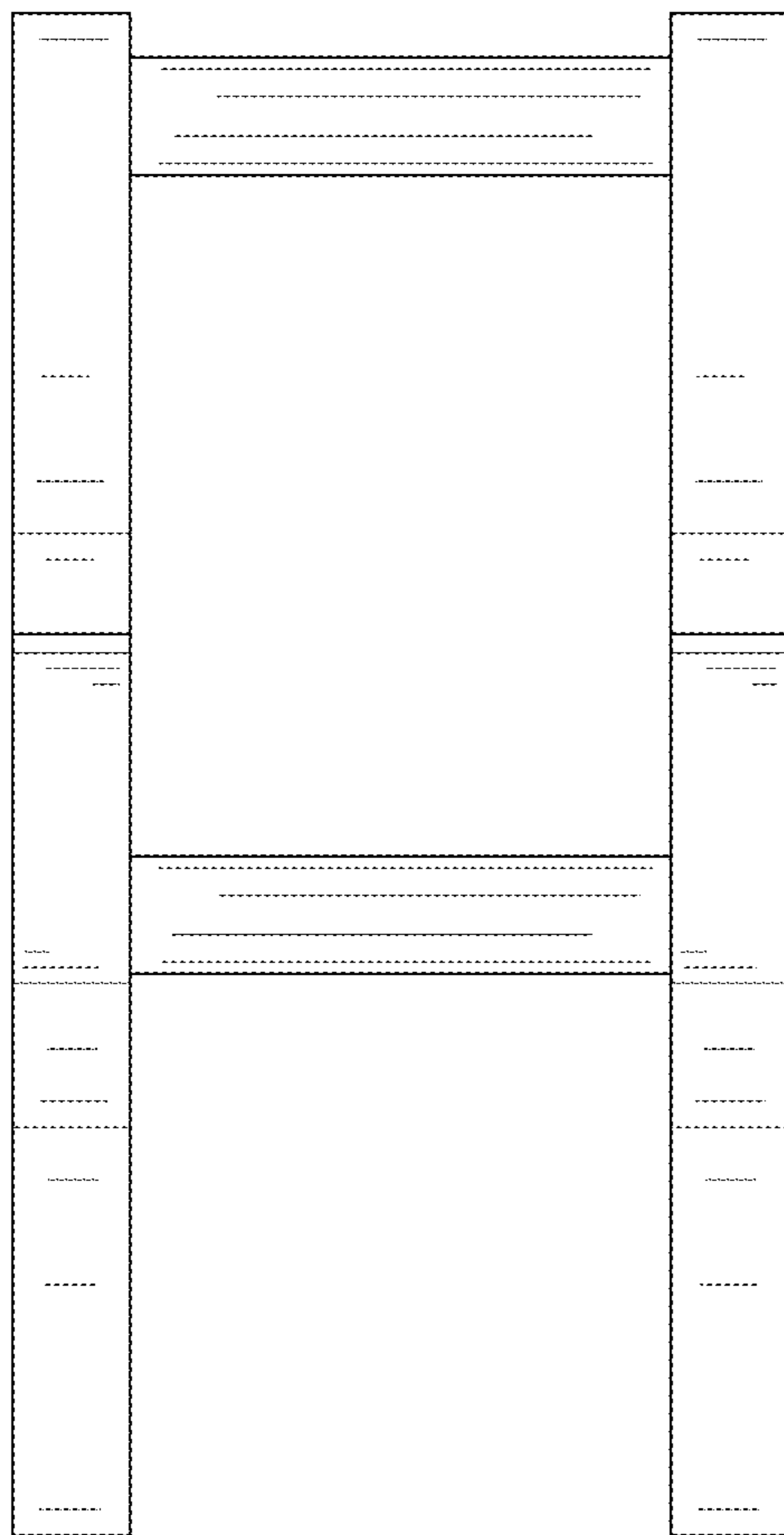


FIG. 5

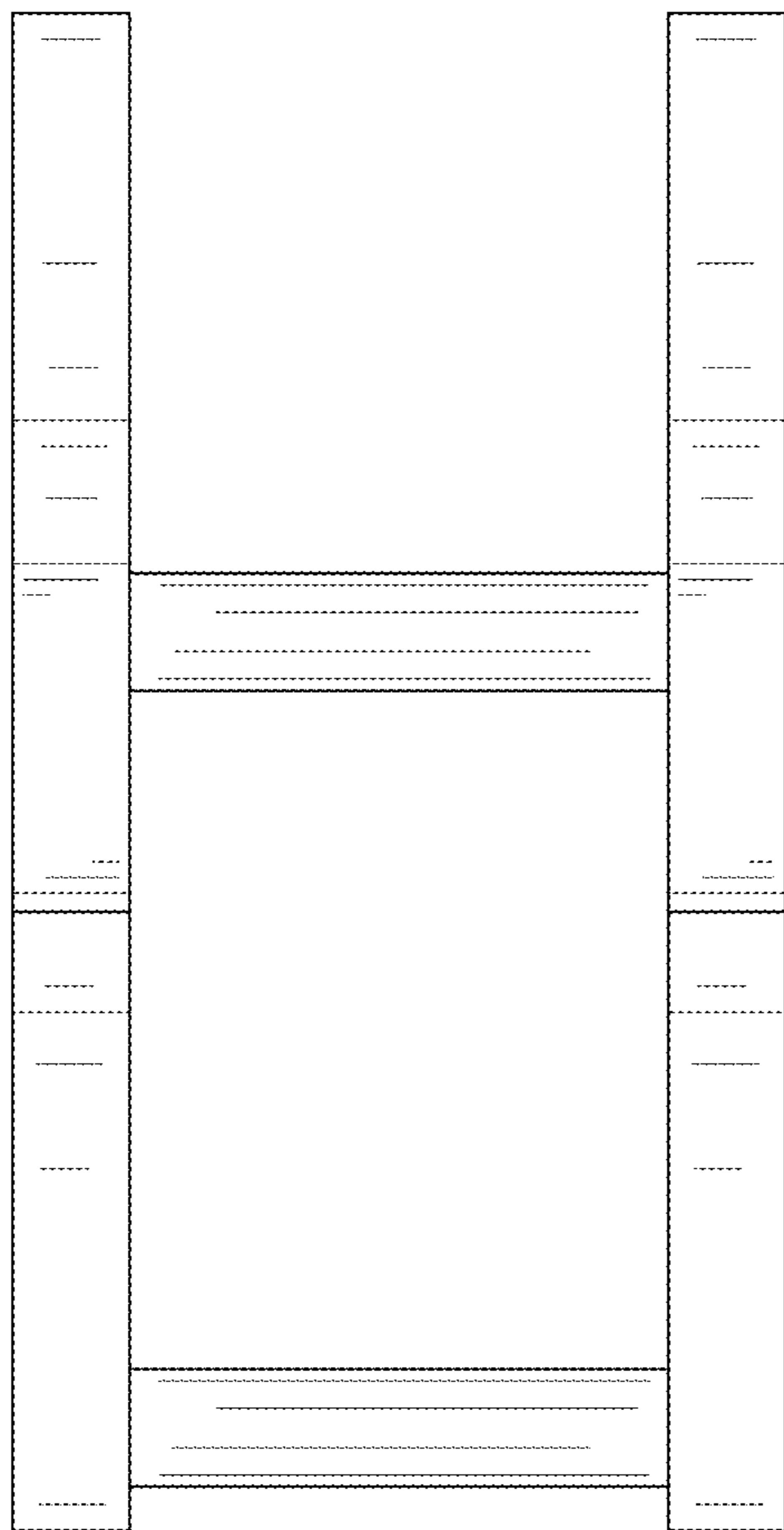


FIG. 6

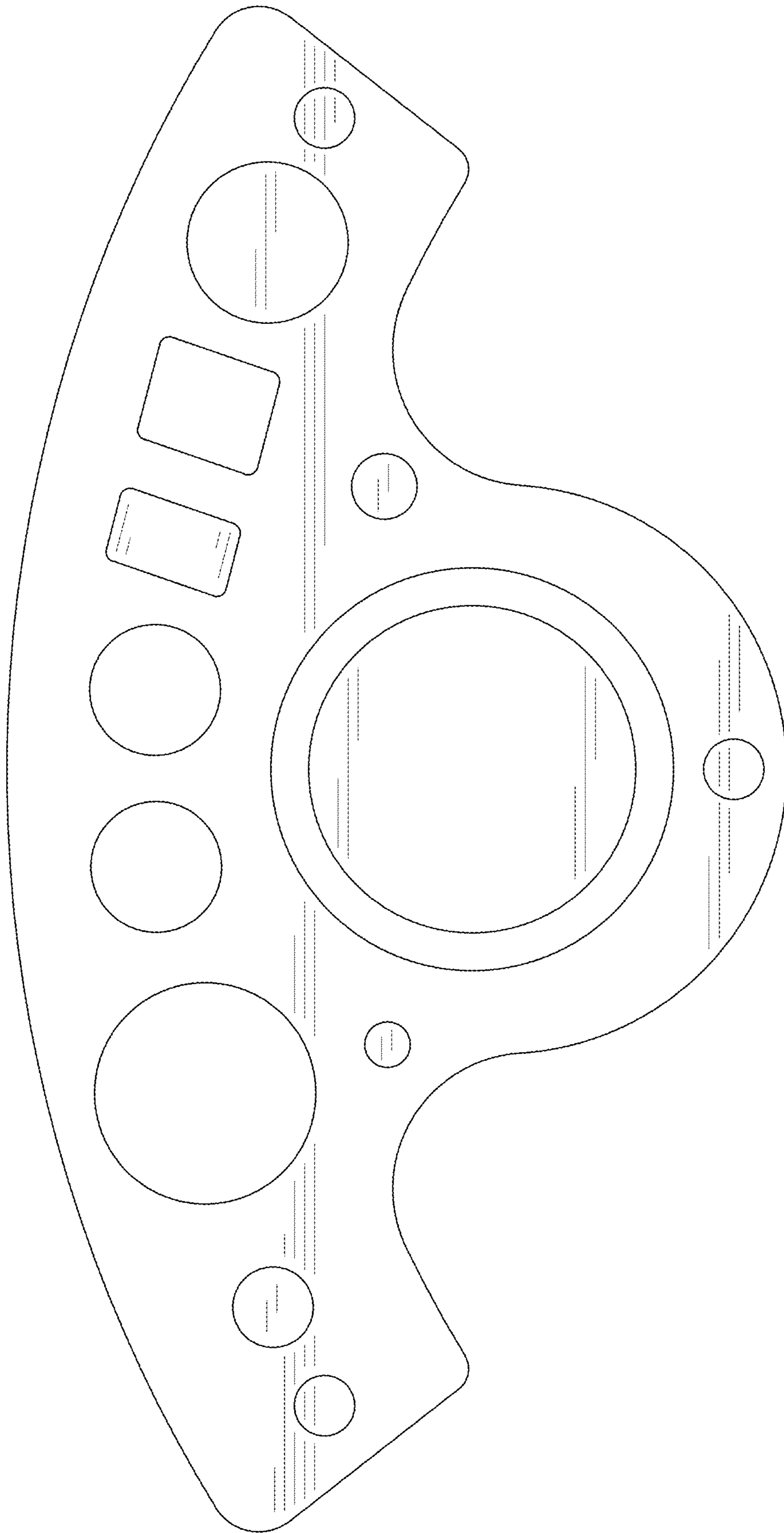


FIG. 7

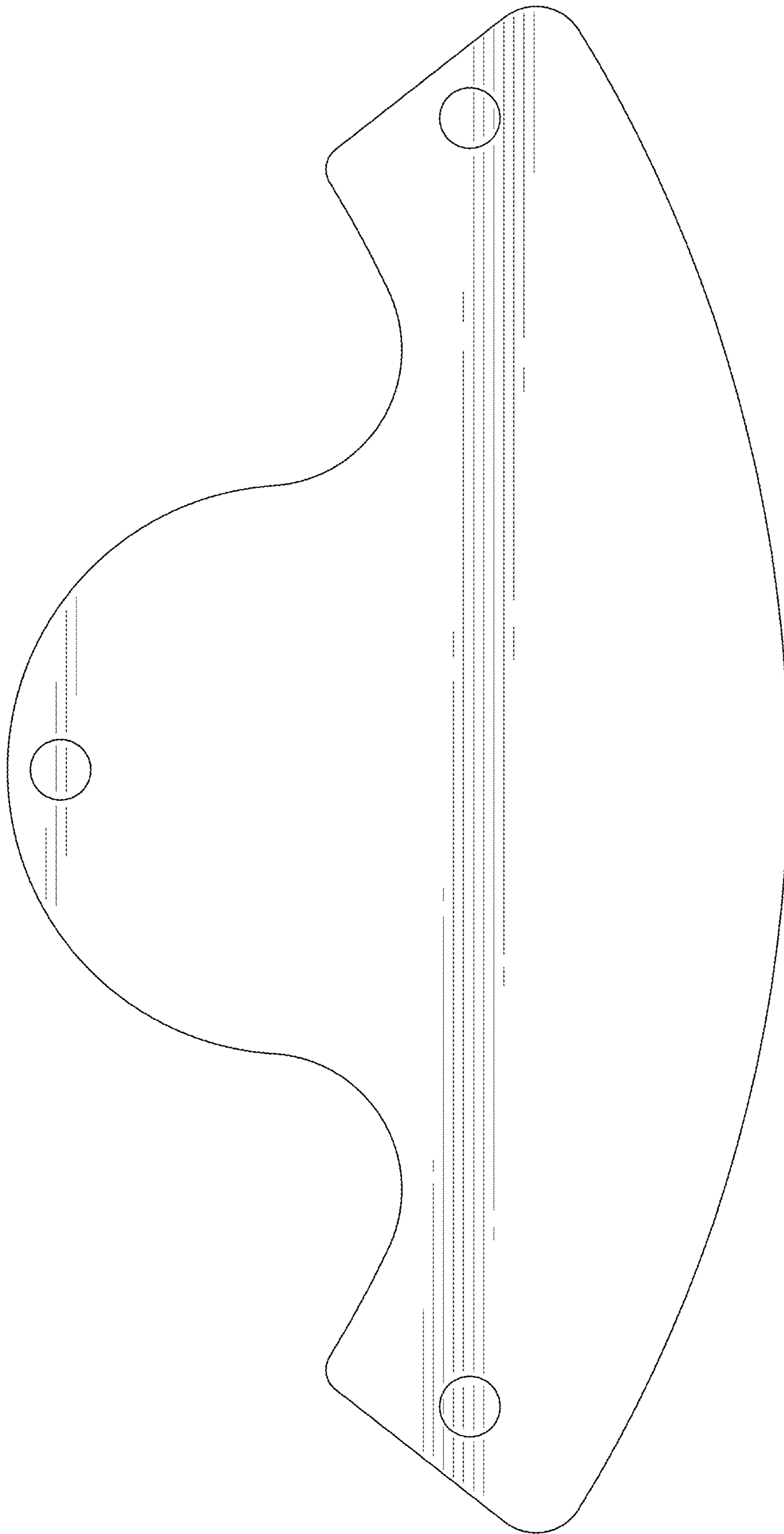


FIG. 8