

US00D970315S

(12) **United States Design Patent** (10) **Patent No.:** **US D970,315 S**  
**Kraemer** (45) **Date of Patent:** **\*\* Nov. 22, 2022**

- (54) **HOLDER**
- (71) Applicant: **InterDesign, Inc.**, Solon, OH (US)
- (72) Inventor: **Kevin Francis Kraemer**, Cuyahoga Falls, OH (US)
- (73) Assignee: **InterDesign, Inc.**, Solon, OH (US)
- (\*\*) Term: **15 Years**
- (21) Appl. No.: **29/823,722**
- (22) Filed: **Jan. 19, 2022**

**Related U.S. Application Data**

- (60) Division of application No. 29/805,560, filed on Aug. 27, 2021, now Pat. No. Des. 960,649, which is a continuation of application No. 29/770,752, filed on Feb. 16, 2021, now Pat. No. Des. 929,147, which is a continuation of application No. 29/733,178, filed on Apr. 30, 2020, now Pat. No. Des. 912,985, which is a division of application No. 29/678,010, filed on Jan. 25, 2019, now Pat. No. Des. 902,594, which is a continuation of application No. 29/638,819, filed on Mar. 1, 2018, now Pat. No. Des. 842,606, which is a continuation of application No. 29/546,621, filed on Nov. 24, 2015, now Pat. No. Des. 811,768, which is a continuation of application No. 29/423,096, filed on May 29, 2012, now Pat. No. Des. 746,643.
- (51) **LOC (13) Cl.** ..... **15-07**
- (52) **U.S. Cl.**  
USPC ..... **D7/701**; D15/89
- (58) **Field of Classification Search**  
USPC ..... D7/701, 704, 707, 708; 206/427, 429; 211/71.01, 72, 74, 189, 194; D15/89  
CPC ..... A47B 73/006; A47B 73/008; A47B 45/00; A47B 96/02; A47F 7/28; B01L 9/06  
See application file for complete search history.

- (56) **References Cited**
- U.S. PATENT DOCUMENTS
- 1,967,026 A 7/1934 Gray et al.
- D219,956 S \* 2/1971 Clemens ..... D9/456
- 3,564,668 A \* 2/1971 Kirk ..... B43K 23/001  
D8/395
- D222,151 S \* 10/1971 Majewski ..... 211/74
- 3,788,487 A 1/1974 Dawson
- (Continued)

**FOREIGN PATENT DOCUMENTS**

- CN 101071032 A 11/2007
- CN 201670456 U 12/2010
- (Continued)

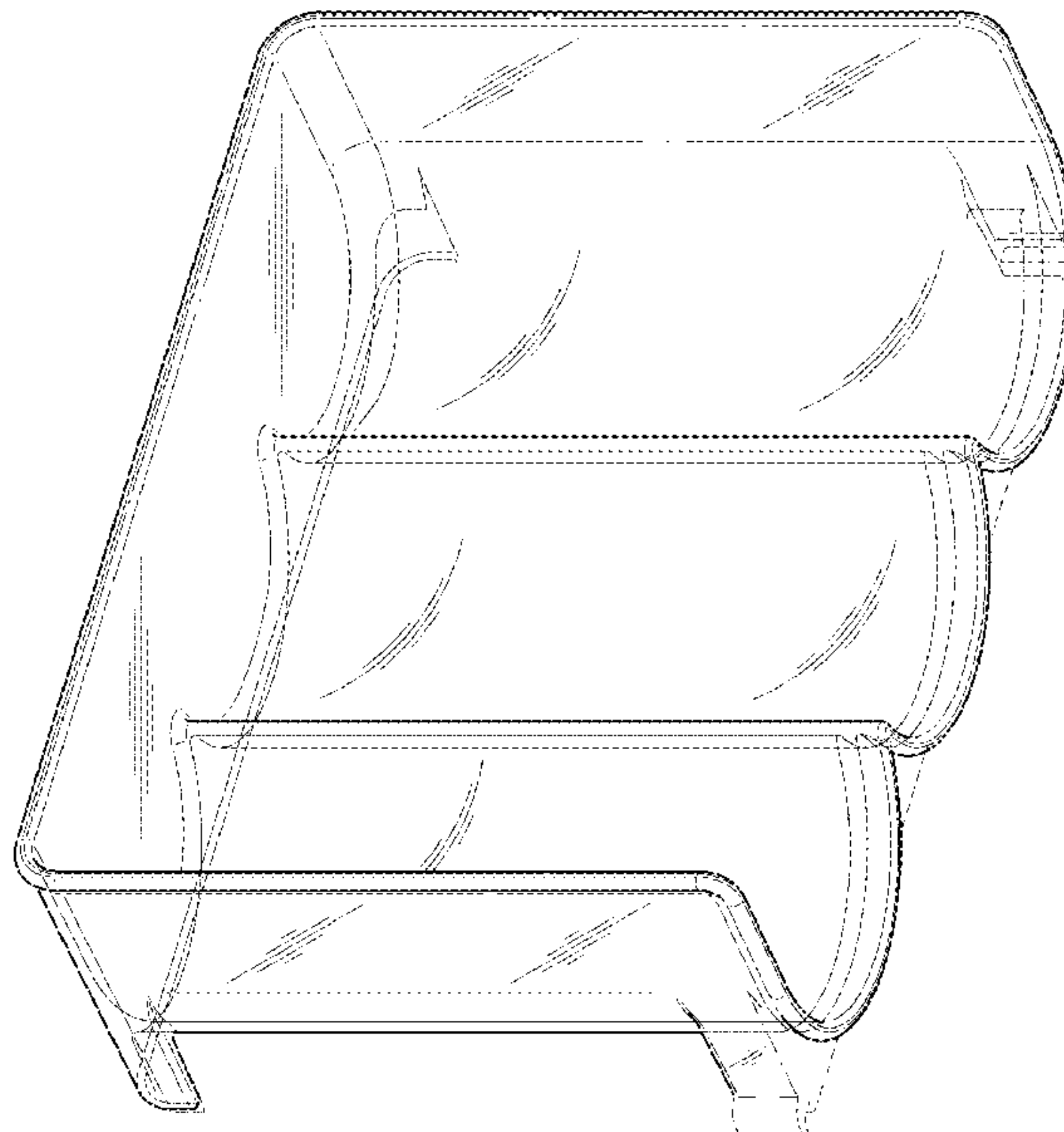
*Primary Examiner* — Nathan M Johnston  
(74) *Attorney, Agent, or Firm* — Calfee, Halter & Griswold LLP

(57) **CLAIM**  
I claim the ornamental design for a holder, as shown and described.

**DESCRIPTION**

FIG. 1 is a front/left/top perspective view of a holder (a front/right/top perspective view would be a mirror image thereof);  
FIG. 2 is a rear/right/bottom perspective view thereof (a rear/left/bottom perspective view would be a mirror image thereof);  
FIG. 3 is a front elevational view thereof;  
FIG. 4 is a rear elevational view thereof;  
FIG. 5 is a left side elevational view thereof;  
FIG. 6 is a right side elevational view thereof;  
FIG. 7 is a top plan view thereof; and,  
FIG. 8 is a bottom plan view thereof.  
The uniformly broken lines represent portions of the holder that form no part of the claimed design; the dash-dot broken lines represent the bounds of the claimed design and form no part of the claimed design.

**1 Claim, 8 Drawing Sheets**



(56)

References Cited

U.S. PATENT DOCUMENTS

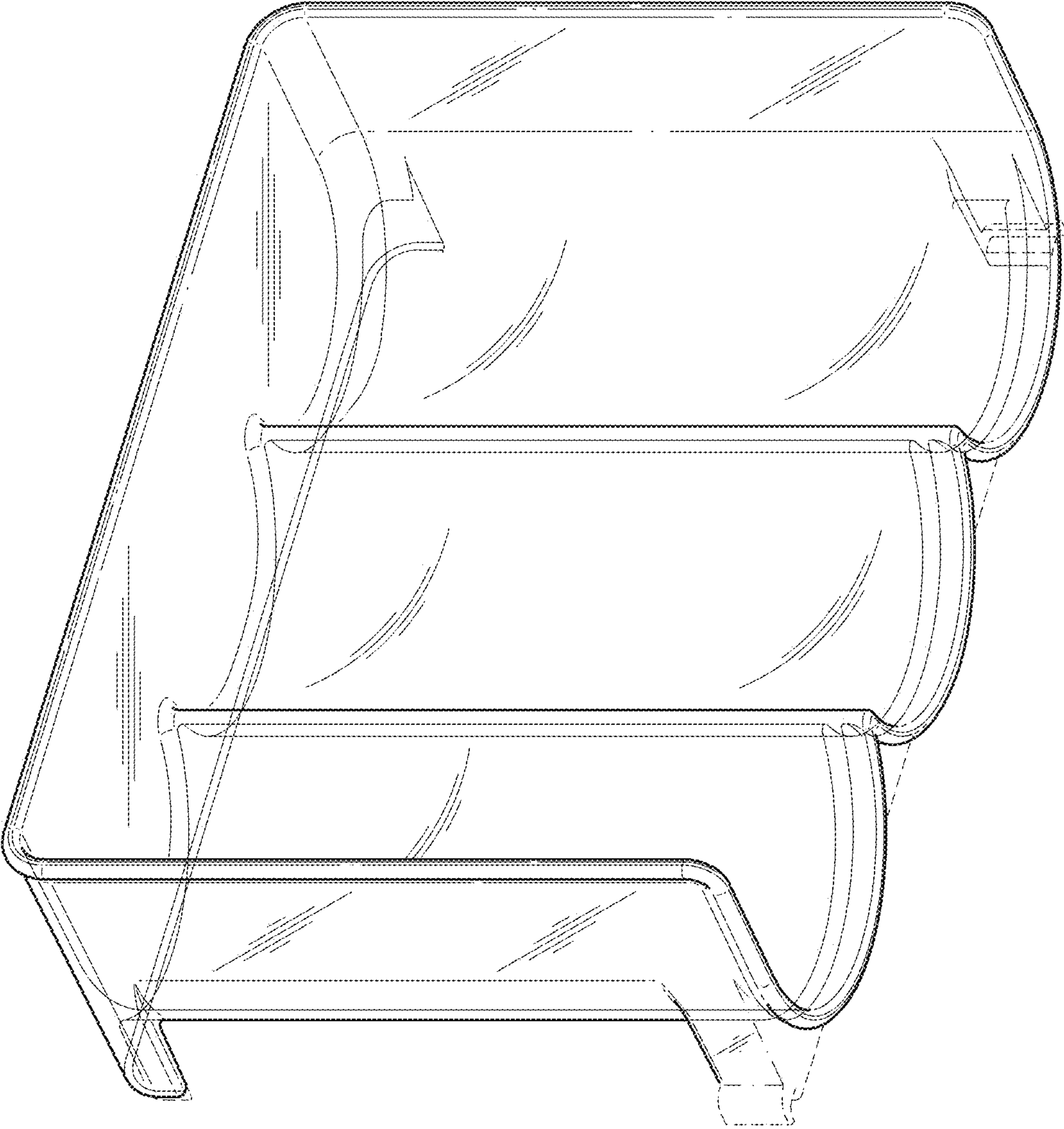
D233,817 S \* 12/1974 Mathews ..... D7/619.1  
 D261,891 S 11/1981 Thompson et al.  
 4,637,580 A \* 1/1987 Idstein ..... A47J 47/16  
 248/220.21  
 4,660,727 A 4/1987 Levine  
 D300,293 S 3/1989 Casey  
 4,889,245 A \* 12/1989 Rinke ..... B65D 71/50  
 211/49.1  
 D305,395 S 1/1990 Steelman  
 D329,963 S \* 10/1992 Schneider ..... D7/387  
 D336,408 S \* 6/1993 Tersch ..... D7/619.1  
 D353,747 S 12/1994 Lanier  
 5,370,245 A \* 12/1994 Tersch ..... A47B 73/006  
 211/74  
 5,626,407 A 5/1997 Westcott  
 D387,559 S 12/1997 Williamson  
 D421,370 S 3/2000 Hints  
 D424,892 S \* 5/2000 Ribet ..... D7/701  
 D431,427 S 10/2000 Syvuk et al.  
 D436,730 S 1/2001 Dembicks  
 D437,116 S 2/2001 Dembicks  
 D446,092 S 8/2001 Cautereels  
 D451,676 S 12/2001 Dembicks  
 D454,749 S \* 3/2002 Georgiadis ..... D6/629  
 D476,831 S \* 7/2003 Fulmer ..... D6/683.1  
 D479,786 S 9/2003 Matheou  
 D498,376 S \* 11/2004 Christopher ..... D6/629  
 6,811,042 B2 \* 11/2004 Kelly ..... A47B 81/007  
 211/74  
 D502,626 S \* 3/2005 Georgiadis ..... D6/629  
 D519,279 S 4/2006 Krebs et al.  
 D547,973 S 8/2007 Brown et al.  
 D547,992 S \* 8/2007 Belokin ..... D6/574  
 D590,596 S 4/2009 Dretzka  
 7,584,862 B2 9/2009 Robertson  
 D603,228 S 11/2009 Frentzel  
 D606,314 S 12/2009 Neilsen  
 D615,300 S 5/2010 Brown et al.  
 D627,612 S 11/2010 Falk et al.  
 D637,457 S 5/2011 Thompson

7,984,806 B2 7/2011 Matheou  
 D661,556 S \* 6/2012 Warner ..... D7/708  
 D663,776 S 7/2012 Lira-Nunez et al.  
 D669,937 S 10/2012 Lira-Nunez et al.  
 D684,002 S \* 6/2013 Cloutier ..... D7/354  
 D684,419 S \* 6/2013 Cloutier ..... D7/354  
 D701,418 S \* 3/2014 Tingley ..... D7/357  
 9,149,135 B2 10/2015 Dovell  
 D747,628 S 1/2016 Kowalczyk  
 D751,125 S 3/2016 Kim et al.  
 D760,560 S 7/2016 Chosovich  
 9,752,822 B2 9/2017 Lee et al.  
 D844,350 S \* 4/2019 De Loynes ..... D6/675.1  
 D852,490 S 7/2019 De Loynes et al.  
 D883,745 S \* 5/2020 He ..... D7/701  
 D889,909 S \* 7/2020 Chapman ..... D7/701  
 D915,073 S 4/2021 Kraemer  
 D942,229 S 2/2022 Kraemer  
 2006/0102570 A1 \* 5/2006 Robertson ..... F25D 23/04  
 211/75  
 2007/0228909 A1 10/2007 Hwang et al.  
 2010/0172687 A1 \* 7/2010 Silva Rubio ..... B43M 99/006  
 401/52  
 2013/0026121 A1 1/2013 Thompson  
 2014/0239022 A1 \* 8/2014 Dovell ..... A47F 7/281  
 224/148.4

FOREIGN PATENT DOCUMENTS

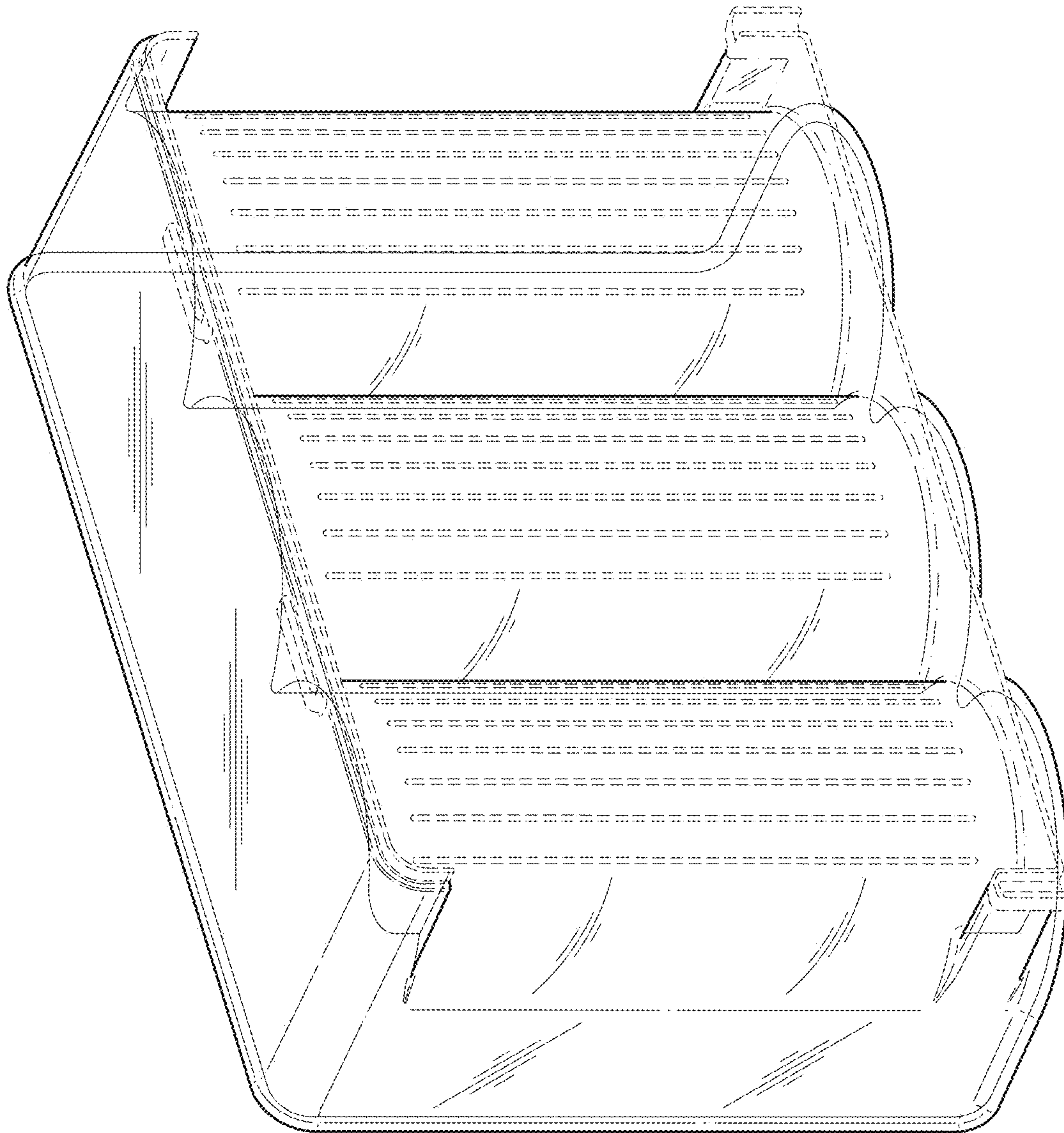
CN 201897361 U 7/2011  
 CN 102494503 A 6/2012  
 CN 202393159 U 8/2012  
 CN 203286849 U 11/2013  
 CN 203744647 U 7/2014  
 CN 302862476 S 7/2014  
 CN 102679682 B 8/2014  
 CN 204100701 U 1/2015  
 CN 204678786 U 9/2015  
 CN 104567249 B 1/2017  
 GB 821455 A 10/1959  
 KR 200157967 Y1 7/1999  
 WO 2020171842 A1 8/2020

\* cited by examiner

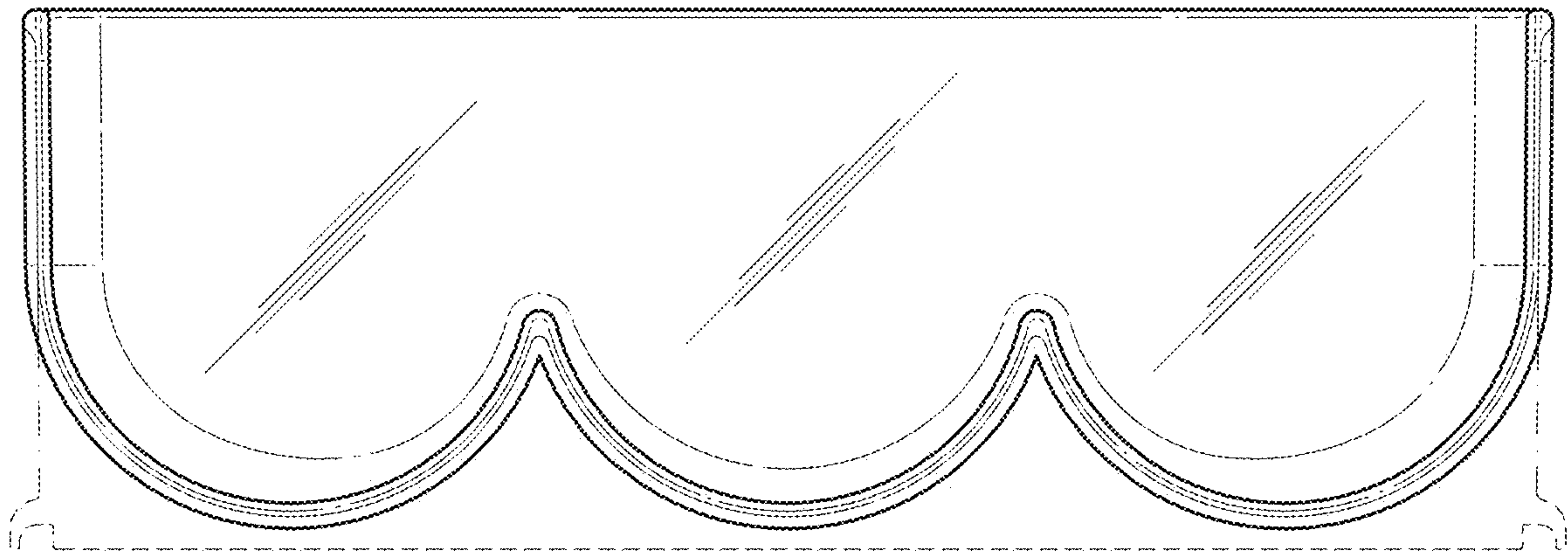


**FIG. 1**

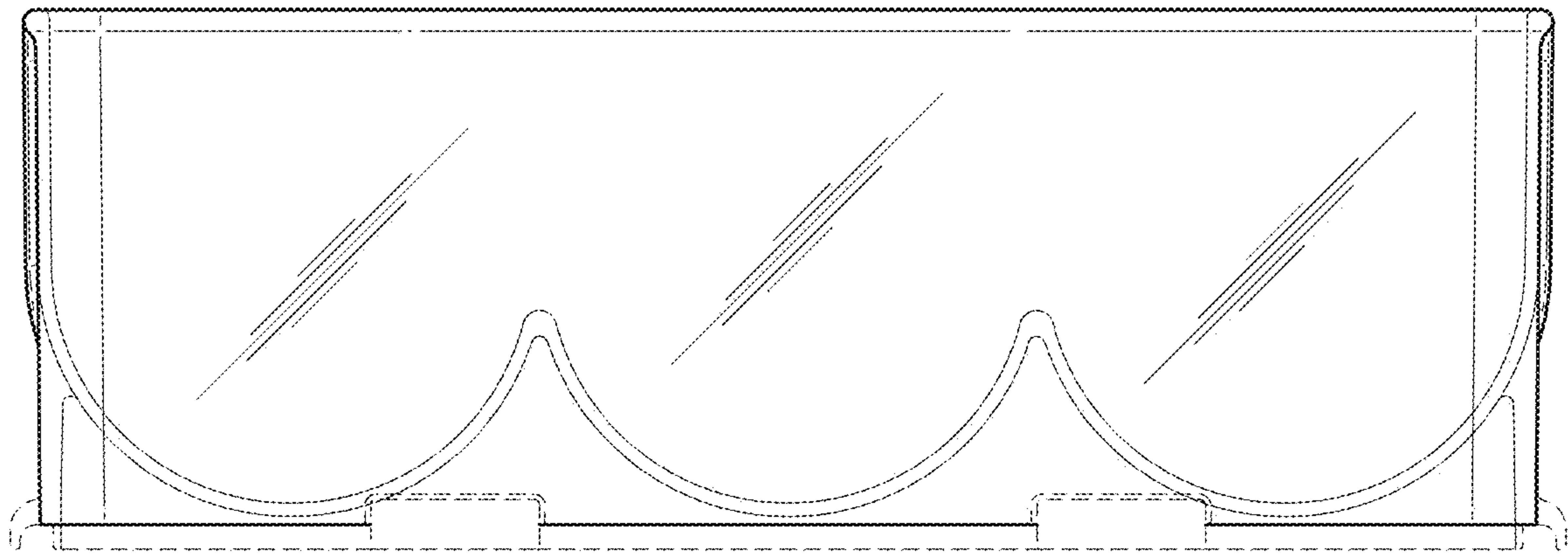




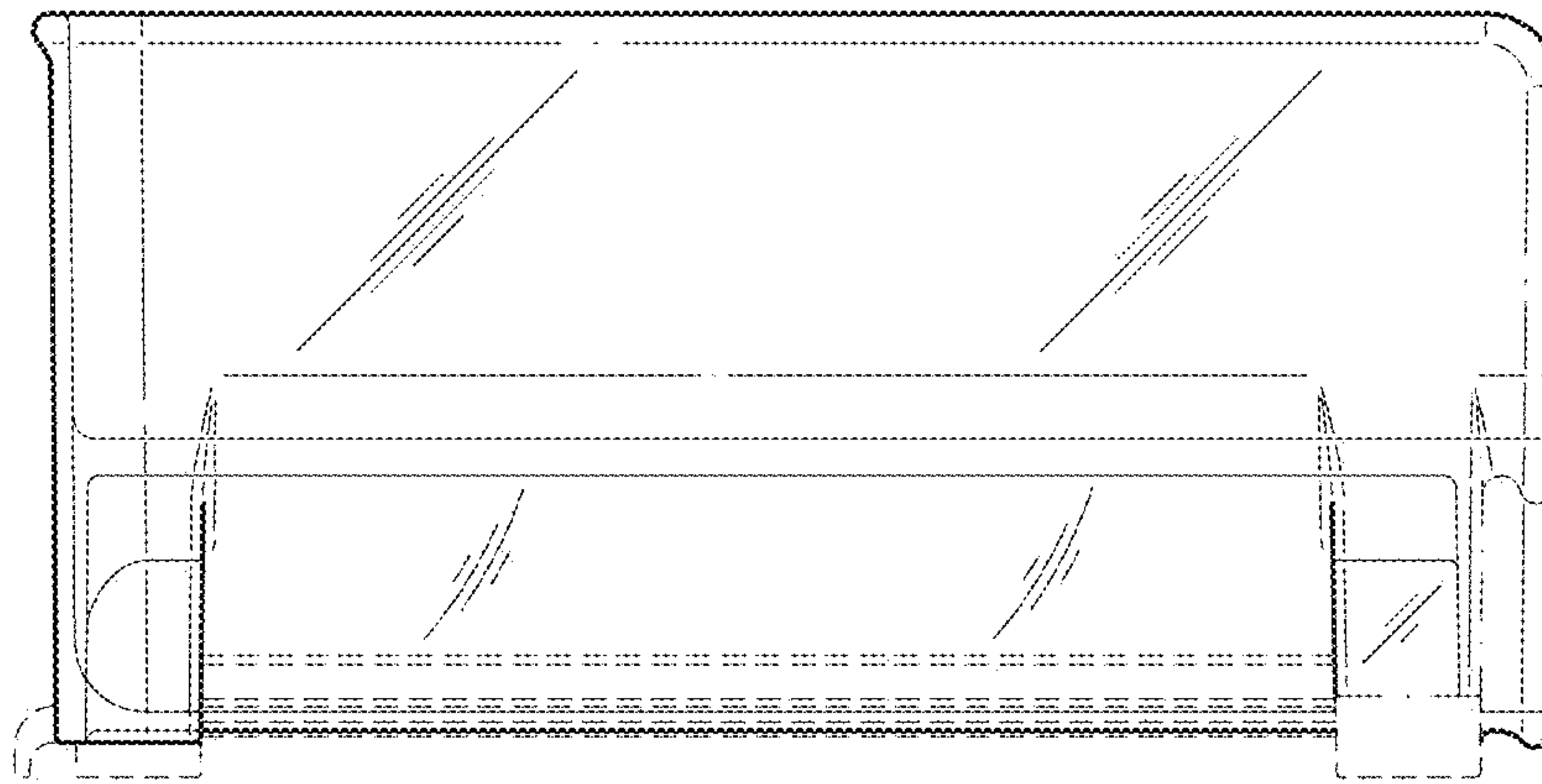
**FIG. 2**



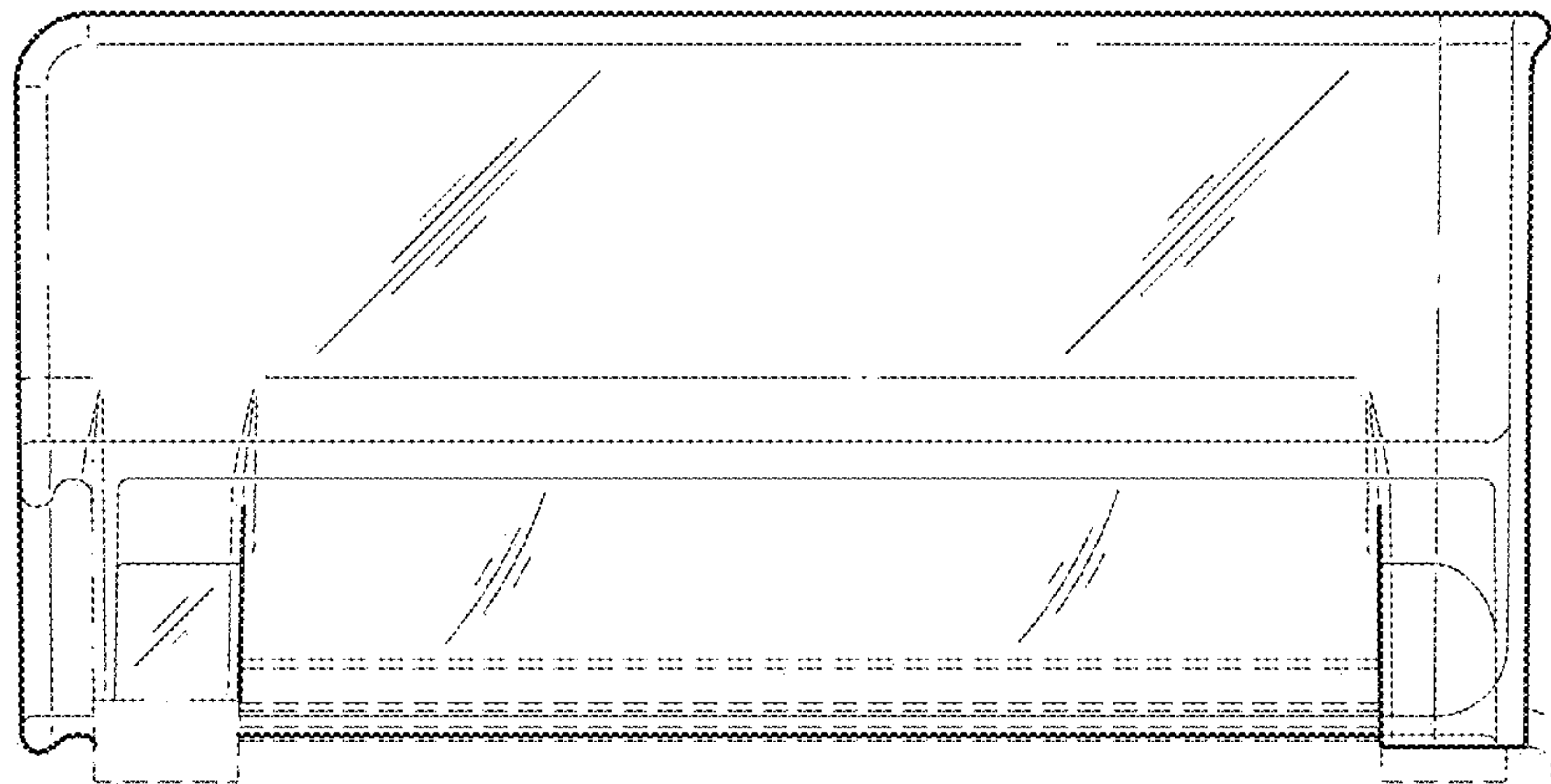
**FIG. 3**



**FIG. 4**

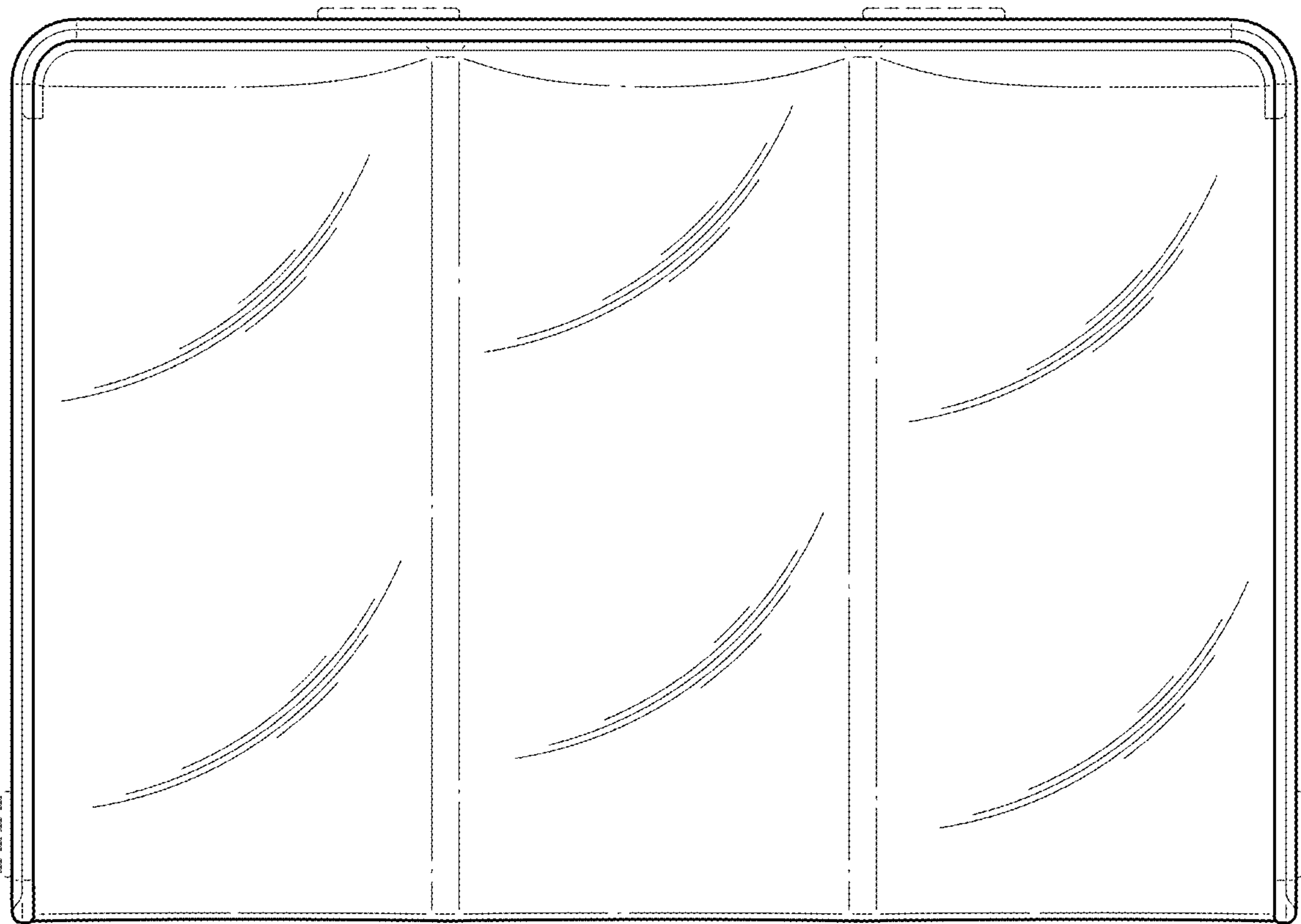


**FIG. 5**

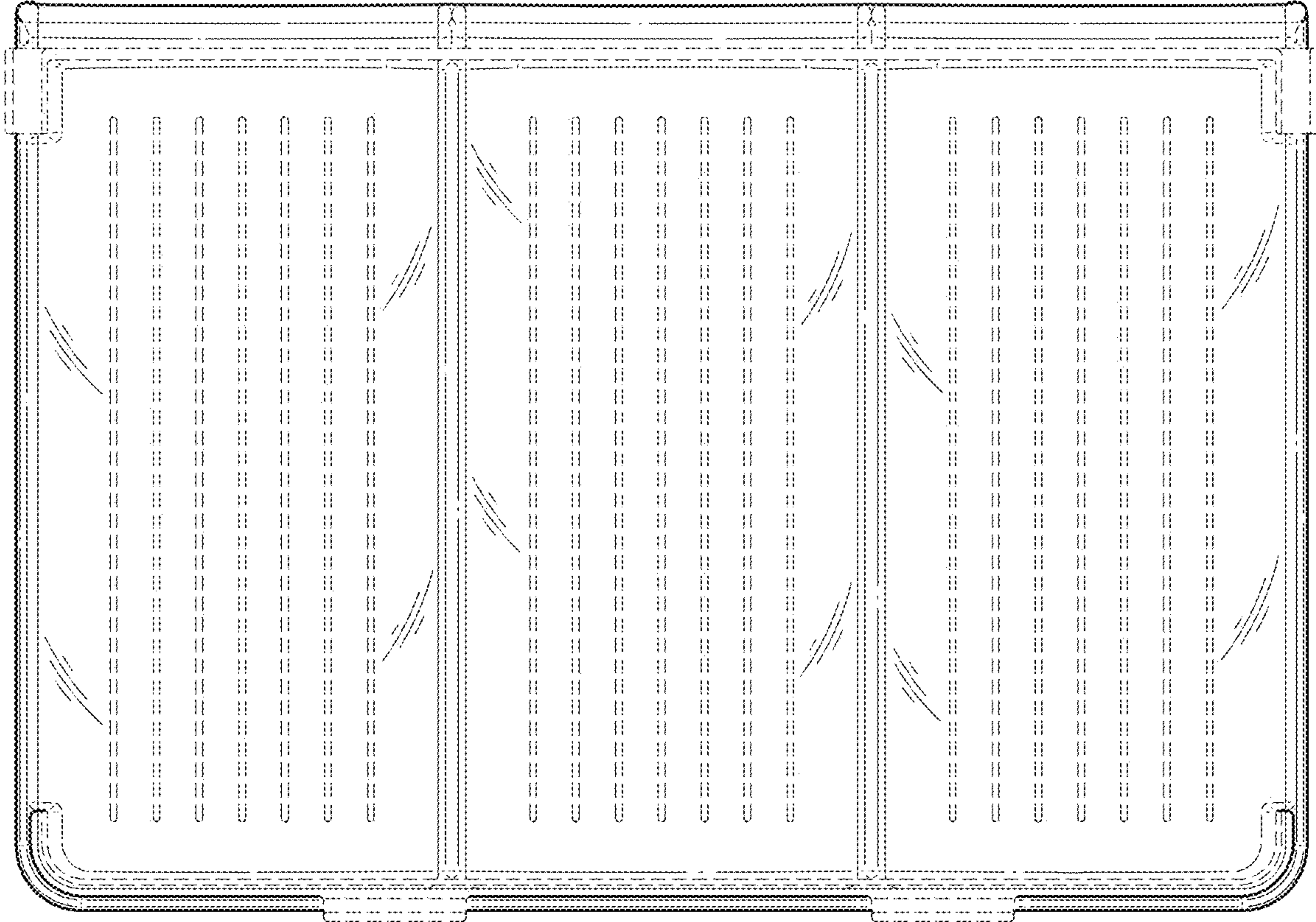


**FIG. 6**





**FIG. 7**



**FIG. 8**