



US00D970314S

(12) **United States Design Patent** (10) **Patent No.:** **US D970,314 S**  
**Balaban et al.** (45) **Date of Patent:** **\*\* Nov. 22, 2022**

(54) **CASE FOR STORING SMALL ITEMS**  
(71) Applicant: **Ebite, Inc.**, Wilmington, DE (US)  
(72) Inventors: **Bogdan Balaban**, Bucharest (RO);  
**Andrei Alexandru Amarasteanu**,  
Constanta (RO)  
(73) Assignee: **Ebite, Inc.**, Wilmington, DE (US)  
(\*\*) Term: **15 Years**

5,562,331 A 10/1996 Spykerman et al.  
6,343,835 B1 2/2002 Ledbetter  
7,326,428 B2 2/2008 Weir  
7,448,675 B1 11/2008 Lowery  
7,780,034 B1 8/2010 Richardson  
8,051,514 B2 11/2011 Yarmer et al.  
8,171,584 B2 5/2012 Matthews et al.  
8,181,291 B2 5/2012 Matthews et al.  
8,584,284 B2 11/2013 Matthews et al.  
D821,131 S 6/2018 Anderson  
10,994,892 B2 5/2021 Bell et al.

(Continued)

(21) Appl. No.: **29/812,819**

**OTHER PUBLICATIONS**

(22) Filed: **Oct. 25, 2021**

Amazon.com, Couch Console, Original Cup Holder Tray, ASIN: B09LHW438T, 15 pages, date first available Nov. 10, 2021 (Year: 2021).\*

(Continued)

**Related U.S. Application Data**

(63) Continuation-in-part of application No. 29/761,935, filed on Dec. 14, 2020.

*Primary Examiner* — Terry A Wallace

(51) **LOC (13) Cl.** ..... **07-06**

(74) *Attorney, Agent, or Firm* — Rogowski Law LLC

(52) **U.S. Cl.**

USPC ..... **D7/701**

(58) **Field of Classification Search**

USPC ..... D7/701–708, 600.1–600.4; D3/304,  
D3/306–314, 201, 203.1–203.8, 202–206;  
D6/512

(57)

**CLAIM**

CPC ..... A47G 19/06; A47G 19/08; A47G 19/065;  
A47G 19/00; A47G 19/02; A47G 19/30;  
A47G 23/02; A47G 23/06; A47G  
23/0225; B65D 1/36; B65D 25/06; B65D  
25/08; A47J 47/14

The ornamental design for a case for storing small items, as shown and described.

**DESCRIPTION**

See application file for complete search history.

FIG. 1 is a left front perspective view of a case for storing small items with modules showing our design;

FIG. 2 is a top plan view of the case for storing small items with the modules of FIG. 1; and,

FIG. 3 is a left side perspective view of the case for storing small items with the modules of FIG. 1.

The broken lines showing portions of the modules are included for the purpose of illustrating portions of the article and form no part of the claimed design.

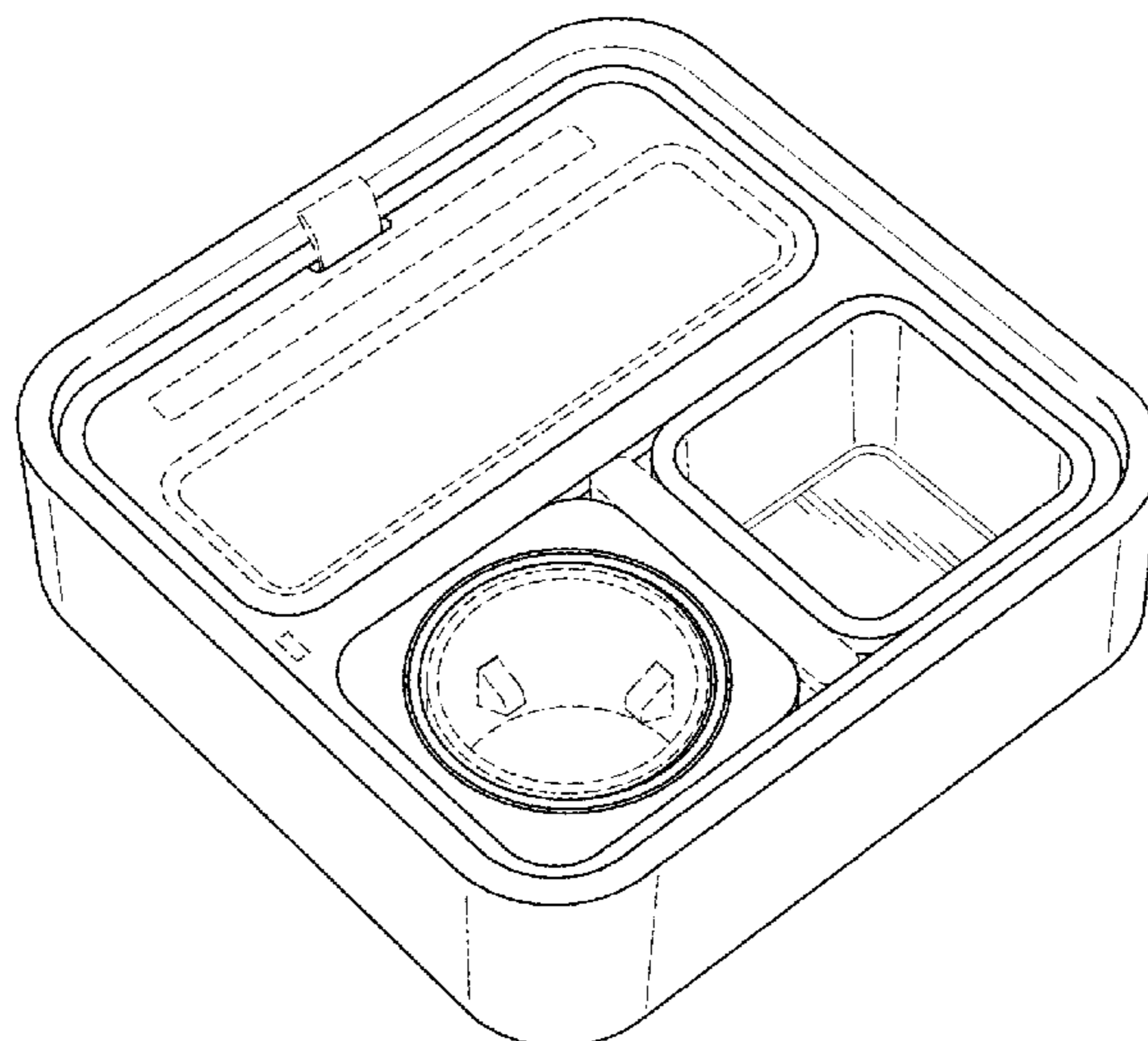
The undisclosed rear, right and bottom views are unclaimed subject matter.

(56) **References Cited**

**U.S. PATENT DOCUMENTS**

3,240,610 A 3/1966 Cease  
3,804,233 A 4/1974 Gregg, Jr.  
3,880,485 A 4/1975 Schmelzer  
4,826,058 A 5/1989 Nakayama  
5,082,115 A \* 1/1992 Hutcheson ..... A45C 11/20  
206/553  
5,460,102 A 10/1995 Pasmanick

**1 Claim, 2 Drawing Sheets**



(56)

**References Cited**

U.S. PATENT DOCUMENTS

2003/0226945 A1 12/2003 Pacher et al.  
2004/0129707 A1 7/2004 Weir  
2005/0035618 A1 2/2005 Toth et al.  
2013/0341338 A1 12/2013 Mitchell et al.  
2014/0237724 A1 8/2014 Matthews et al.  
2017/0101301 A1 4/2017 Volin  
2017/0240085 A1 8/2017 Ferreira Orta et al.  
2018/0249856 A1\* 9/2018 Samartgis ..... A23L 15/00  
2018/0251263 A1\* 9/2018 Shamp ..... B65D 21/0233  
2018/0265256 A1\* 9/2018 Fisher, Jr. .... A45C 11/20  
2019/0375551 A1 12/2019 Bell et al.  
2020/0277105 A1 9/2020 Longo  
2021/0137294 A1\* 5/2021 Beyer ..... A47G 23/0225

OTHER PUBLICATIONS

Amazon.com, MyGift Vintage Gray Wood Snack Tray, Beverage and Snack Caddy with Remote Holder, Phone and Drink Holder, ASIN: B08LT1CMJX, 13 pages, date first available Oct. 24, 2020 (Year: 2020).\*

<https://www.instructables.com/Gyroscopic-Cup-Holder/> (accessed Nov. 16, 2021).

<https://www.mygift.com/products/vintage-gray-wood-all-in-one-snack-caddy-with-remote-control-phone-and-cup-holders> (accessed Nov. 16, 2021).

\* cited by examiner

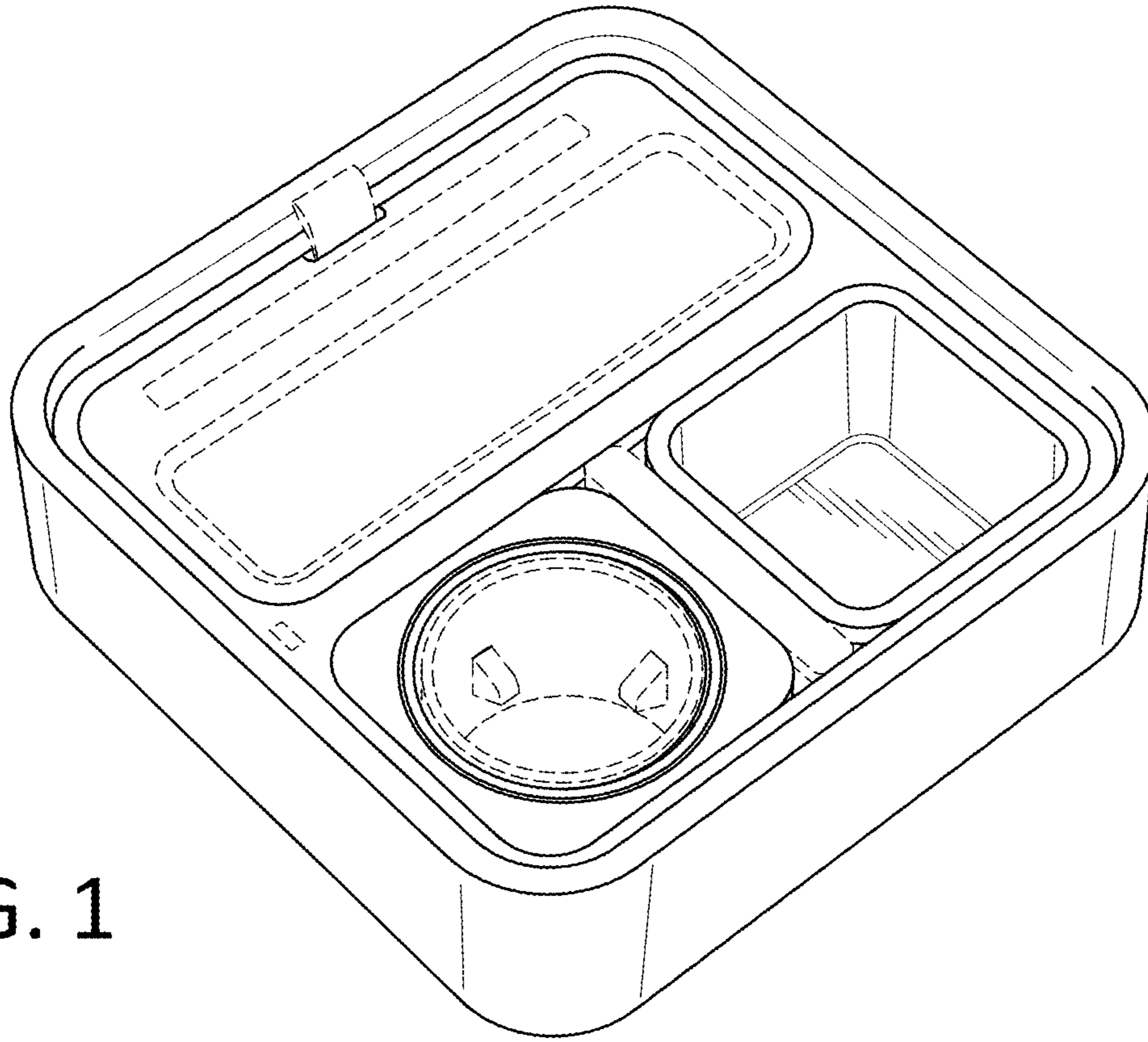


FIG. 1

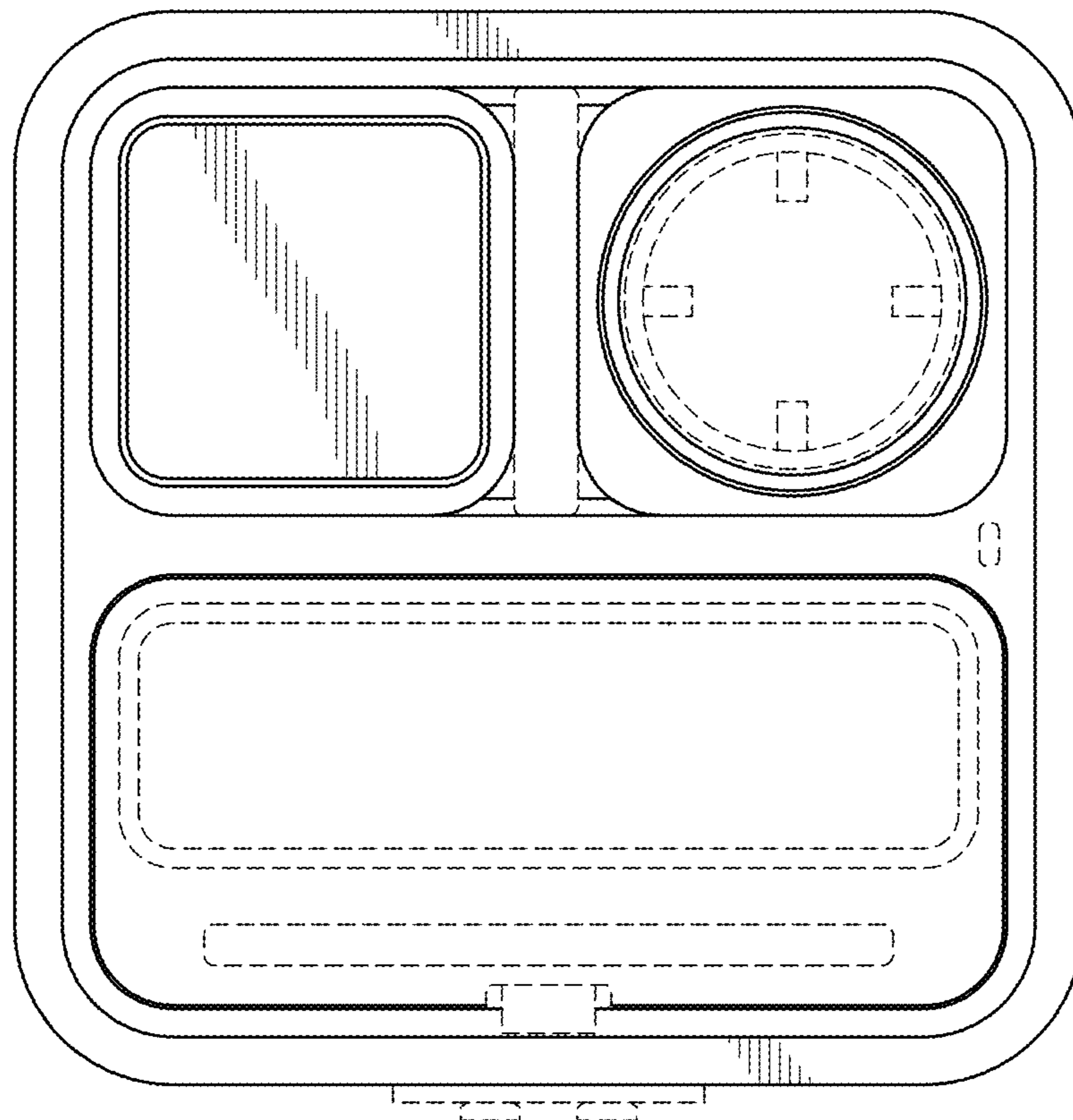


FIG. 2

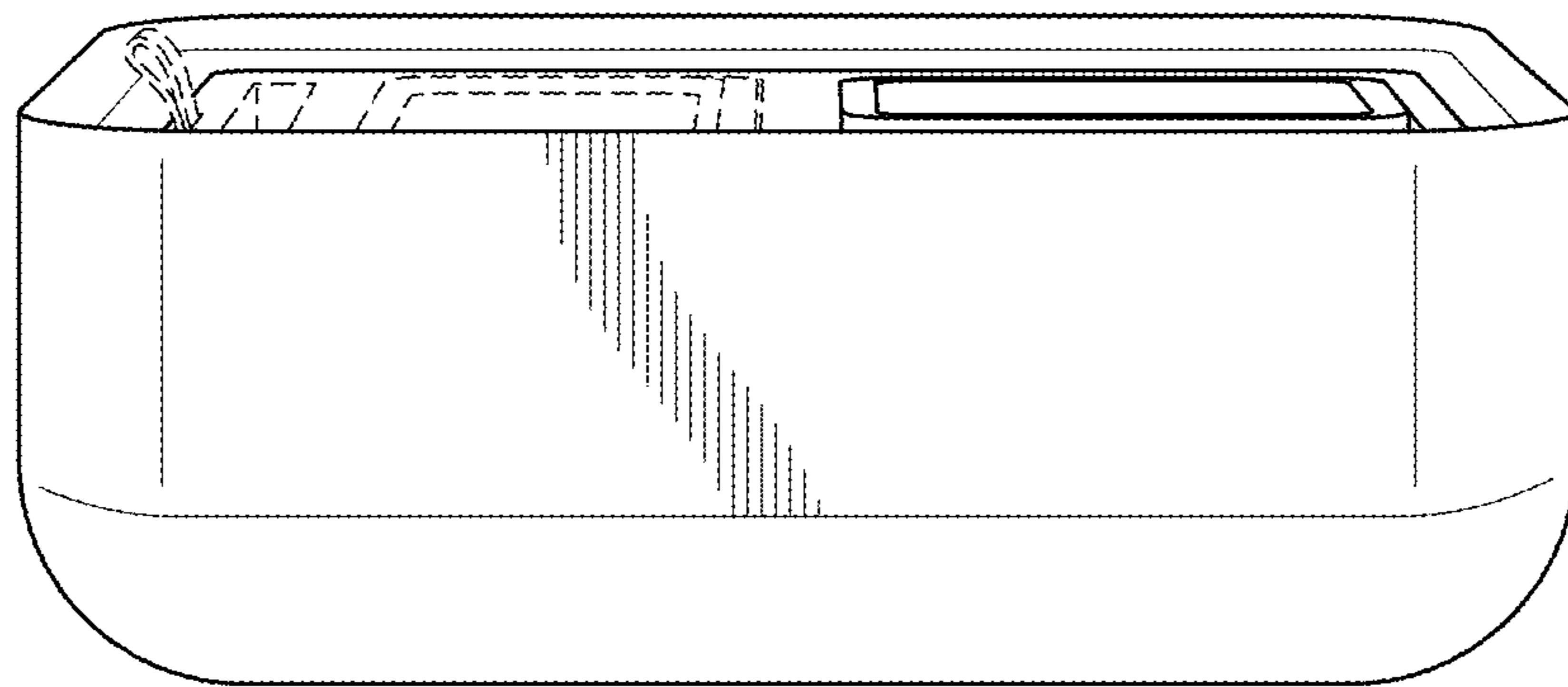


FIG. 3