



US00D970313S

(12) **United States Design Patent** (10) **Patent No.:** **US D970,313 S**
Wang (45) **Date of Patent:** **** Nov. 22, 2022**

(54) **BARTENDING TOOL HOLDER**
(71) Applicant: **Chunxiao Wang**, Zhejiang (CN)
(72) Inventor: **Chunxiao Wang**, Zhejiang (CN)
(**) Term: **15 Years**

D911,789 S 3/2021 Wang
D918,677 S * 5/2021 Wang D7/701
D938,790 S * 12/2021 Tu D7/701
2016/0120349 A1 * 5/2016 Boyatt A47G 23/0641
206/562

(21) Appl. No.: **29/798,171**
(22) Filed: **Jul. 6, 2021**

(30) **Foreign Application Priority Data**

Jul. 1, 2021 (EM) 008598619

(51) **LOC (13) Cl.** **06-04**
(52) **U.S. Cl.**
USPC **D7/701**

(58) **Field of Classification Search**
USPC D7/701, 707, 708, 600.1-600.4;
D6/682.2, 552.2, 525, 527, 528, 534, 535;
D3/313
CPC A47B 73/00; A47B 73/006; A47B 73/004;
A47B 13/16; A47G 23/0641; A47G
23/06; A47G 23/0208; A47G 23/02;
A47G 23/0241; A47F 5/16; A47F 7/28;
A47F 7/283; B25H 3/04; A47J 47/16
See application file for complete search history.

(56) **References Cited**

U.S. PATENT DOCUMENTS

D127,900 S * 6/1941 Block D6/699
3,893,569 A * 7/1975 Hoch A47B 13/16
211/74
4,947,991 A * 8/1990 Snell A47B 13/16
206/427
6,126,256 A * 10/2000 Doces, II A47B 81/04
312/351
D495,530 S * 9/2004 Marsden D6/682.2
D880,964 S * 4/2020 Wang D7/701
D907,972 S 1/2021 Wang
D911,781 S * 3/2021 Song D7/600.2

OTHER PUBLICATIONS

Amazon.com, X-Cosrack Boston Bar Set with Revolving Stand, ASIN: B08NJV8W52, 10 pages date first available Nov. 16, 2020. (Year: 2020).*
Amazon.com, ZAselect, Cocktail Shaker, Cocktail Shaker Set, 14 pcs SS Drink Shaker, Professional Bartender Kit, ASIN: B08R6TDR24, 8 pages, date first available Dec. 22, 2020 (Year: 2020).*

* cited by examiner

Primary Examiner — Terry A Wallace
(74) *Attorney, Agent, or Firm* — ScienBiziP, P.C.

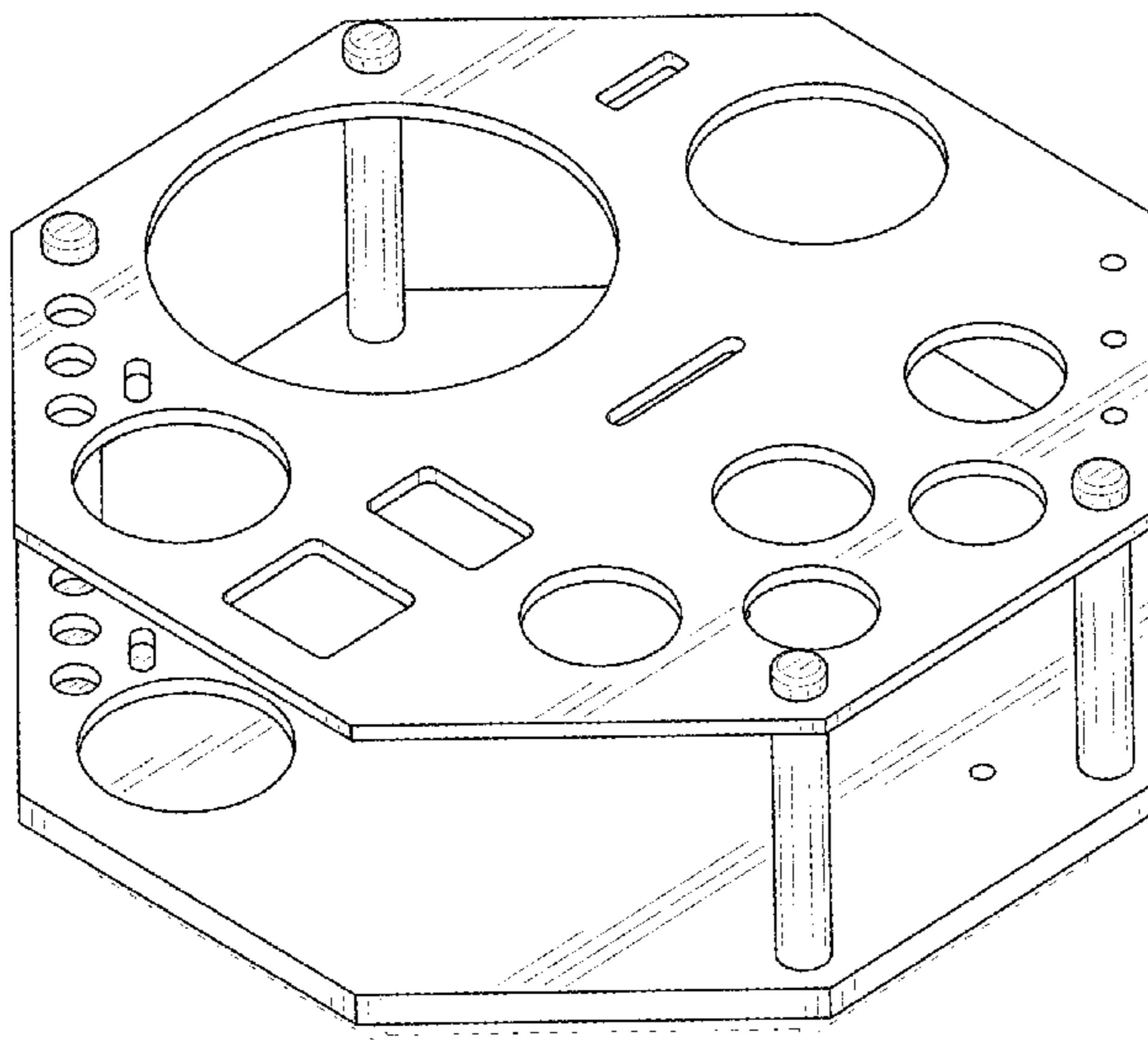
(57) **CLAIM**

The ornamental design for a bartending tool holder, as shown and described.

DESCRIPTION

FIG. 1 is a front, left, and top perspective view of a bartending tool holder, showing my design.
FIG. 2 is a rear, right, and bottom perspective view thereof.
FIG. 3 is a front elevation view thereof.
FIG. 4 is a rear elevation view thereof.
FIG. 5 is a left side elevation view thereof.
FIG. 6 is a right side elevation view thereof.
FIG. 7 is a top plan view thereof.
FIG. 8 is a bottom plan view thereof; and,
FIG. 9 is a cross-sectional view of the bartending tool holder of FIG. 1, taken along section line 9-9 as depicted in FIG. 3.
The broken lines shown in the drawings are included for the purpose of illustrating portions of the bartending tool holder that form no part of the claimed design.

1 Claim, 9 Drawing Sheets



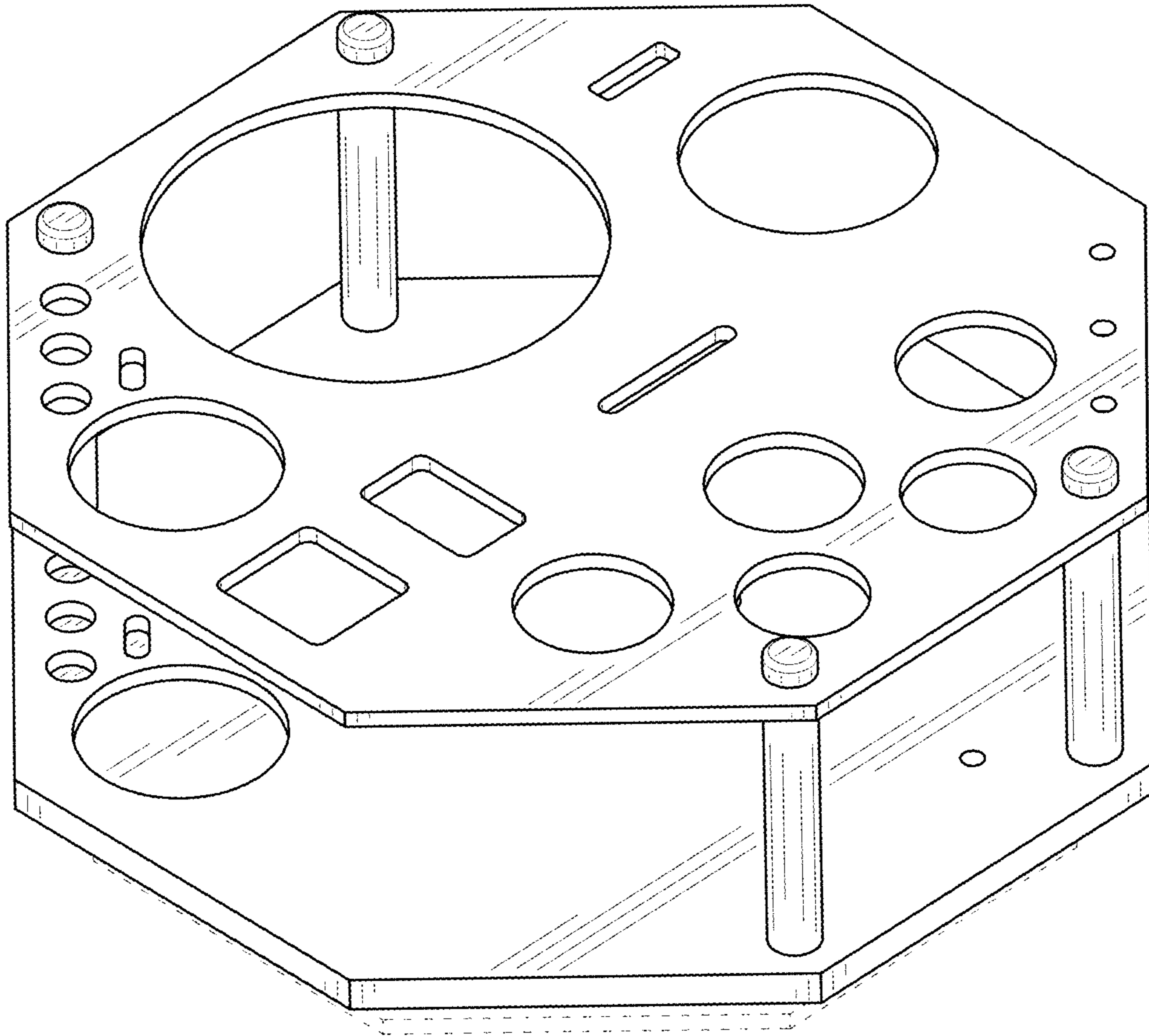


FIG. 1

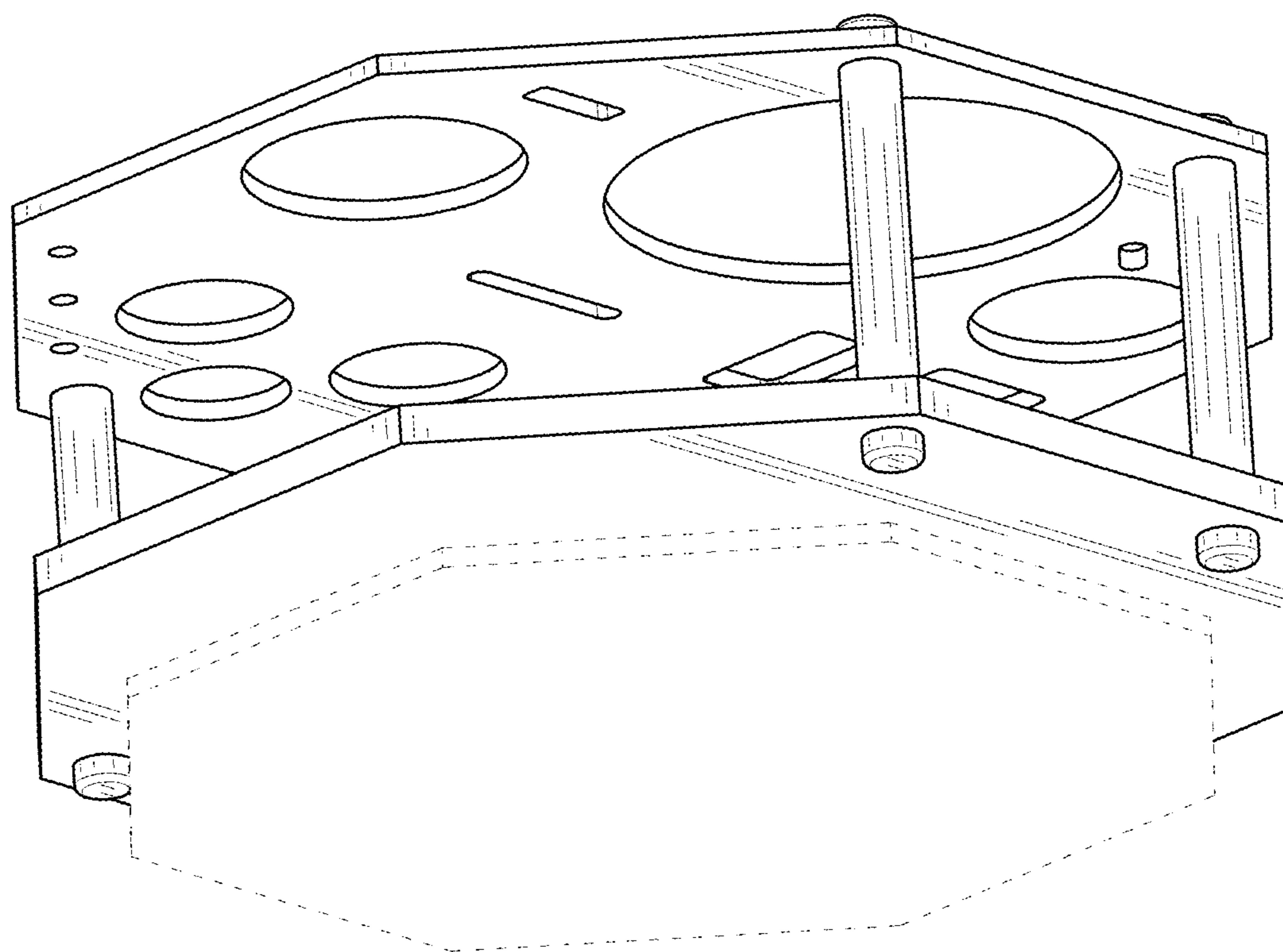


FIG. 2

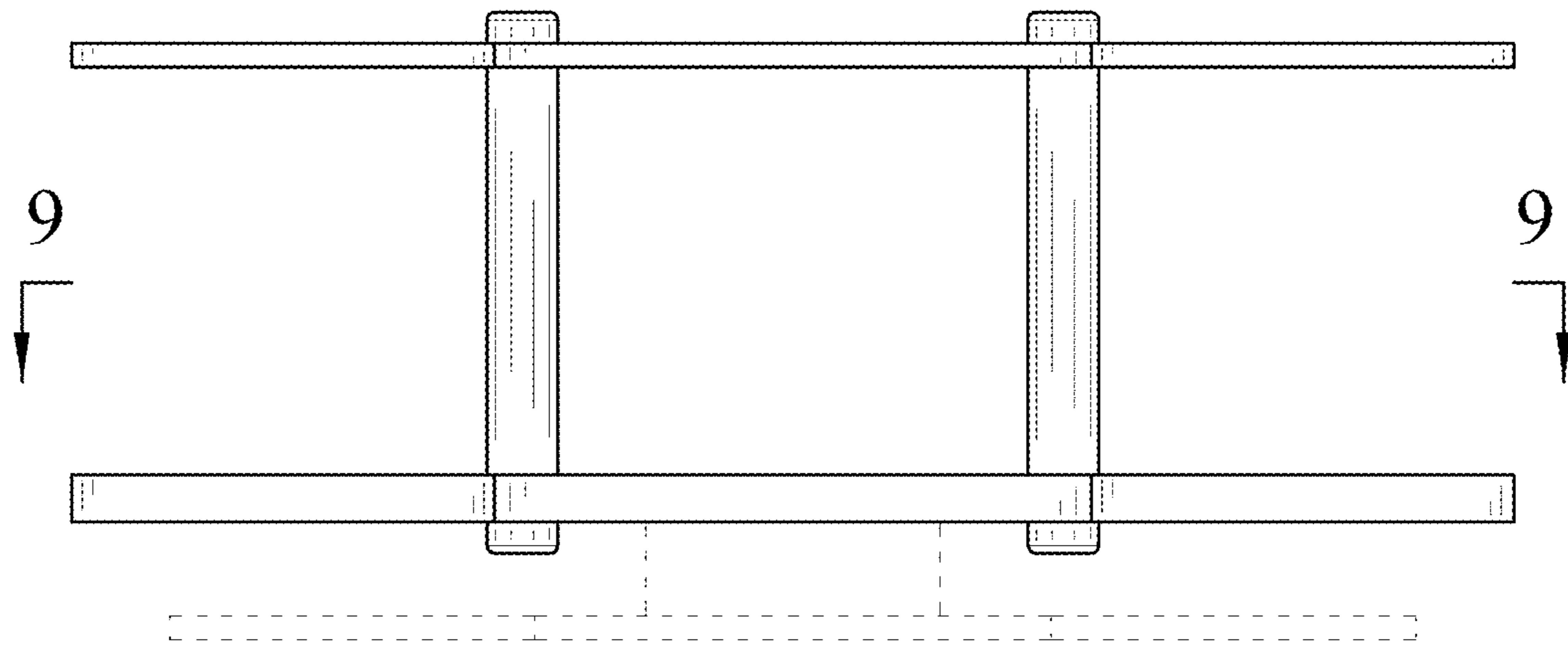


FIG. 3

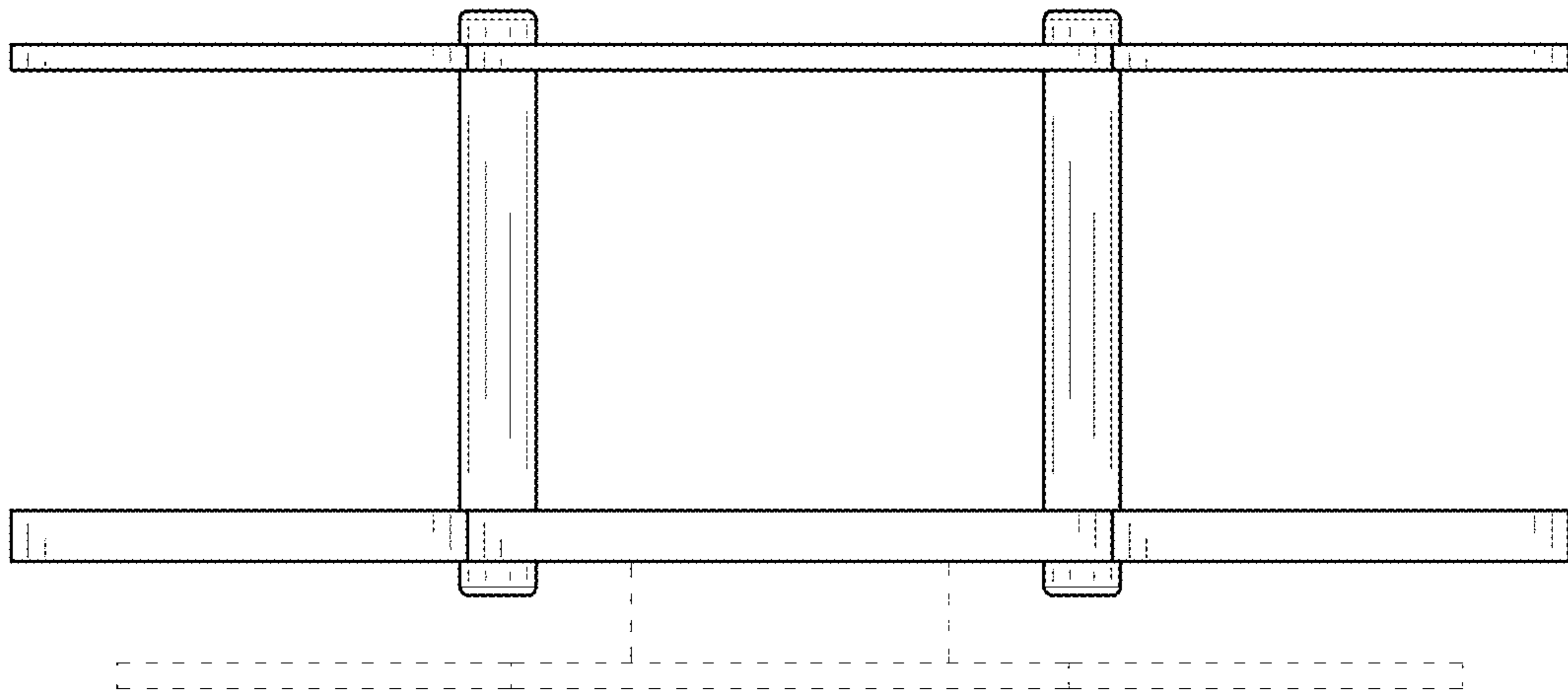


FIG. 4

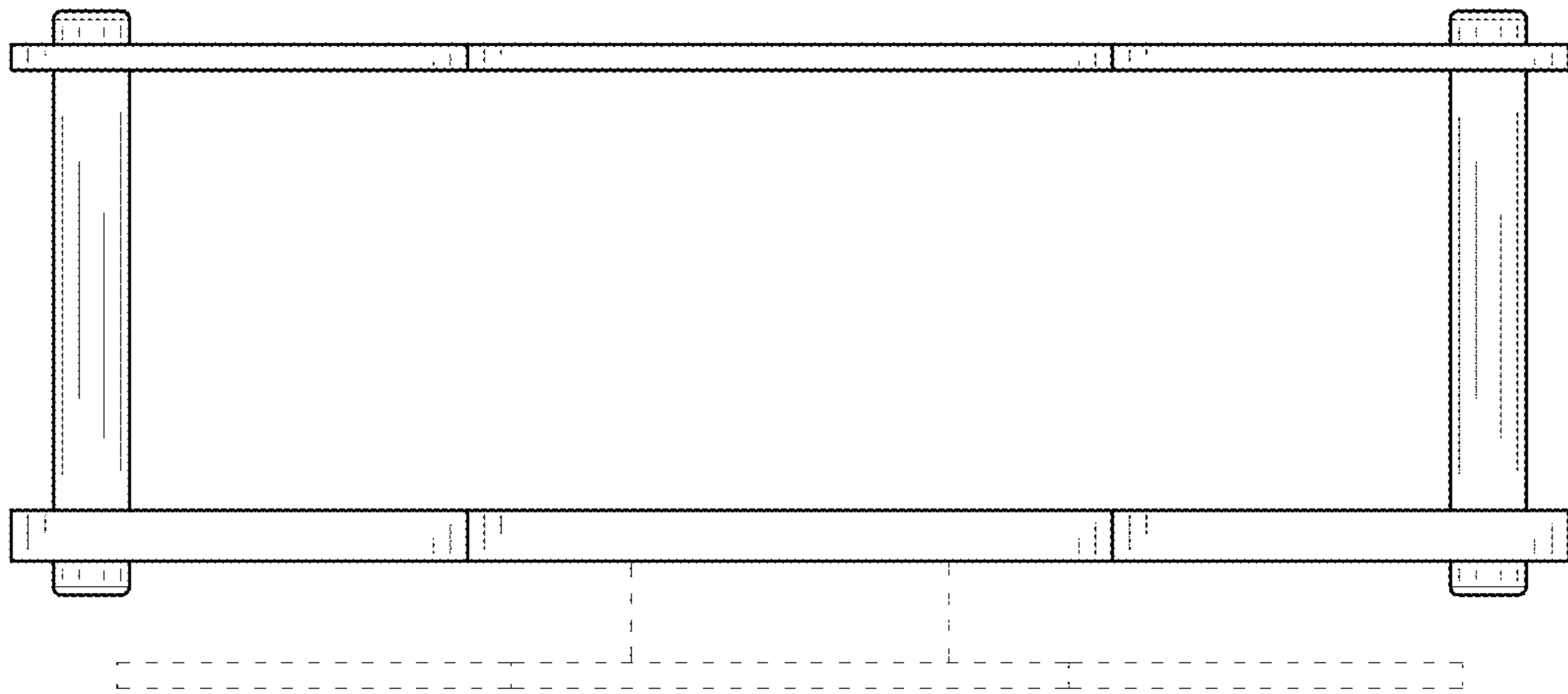


FIG. 5

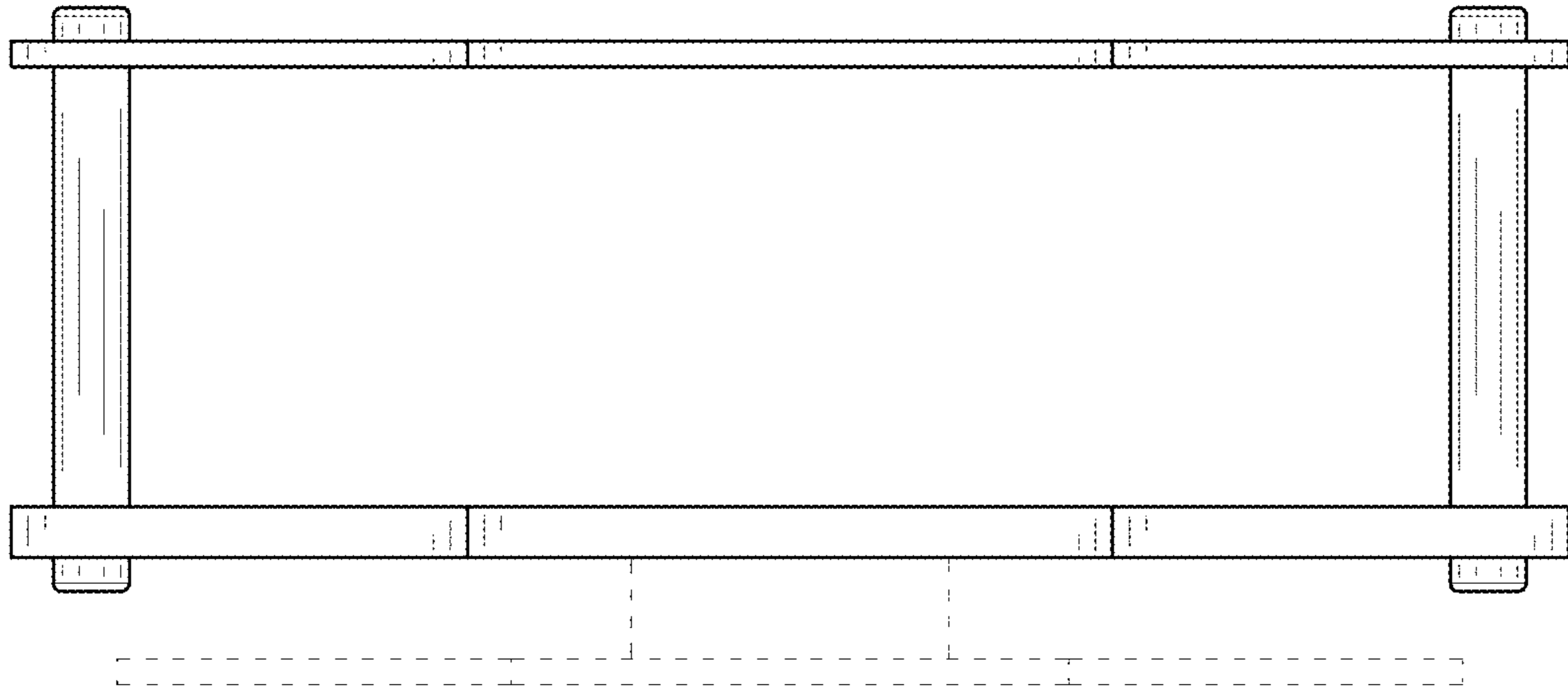


FIG. 6

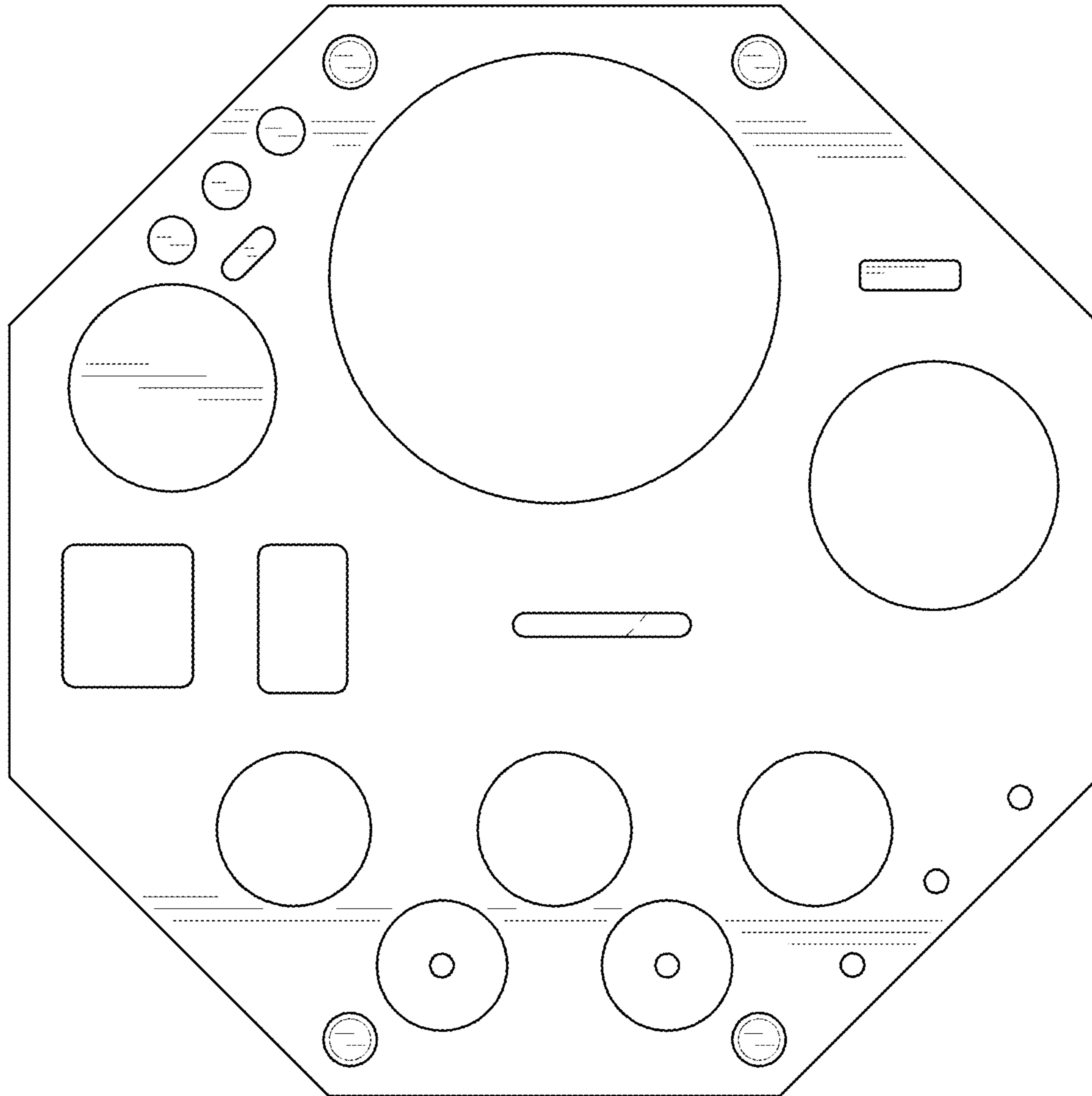


FIG. 7

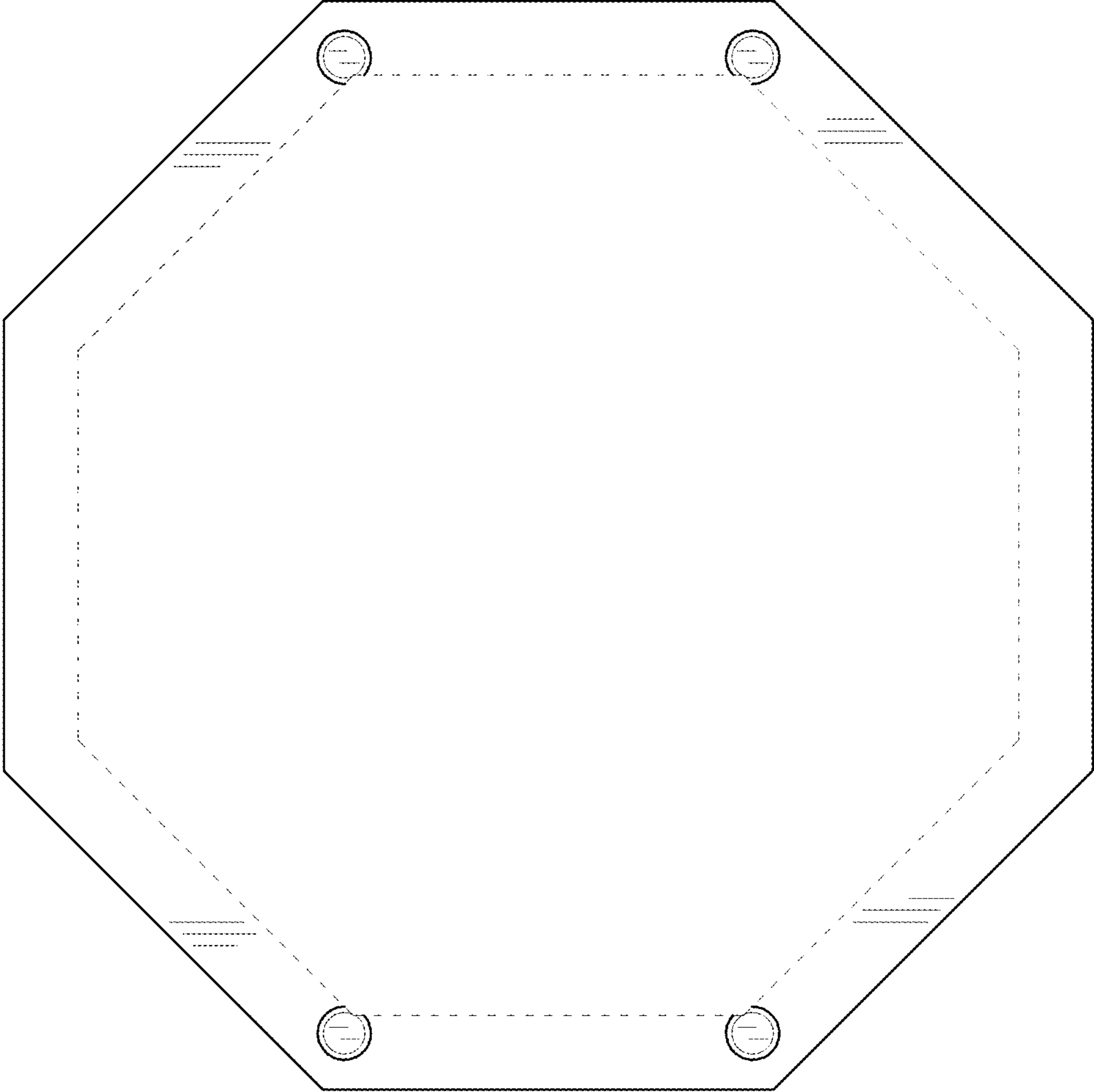


FIG. 8

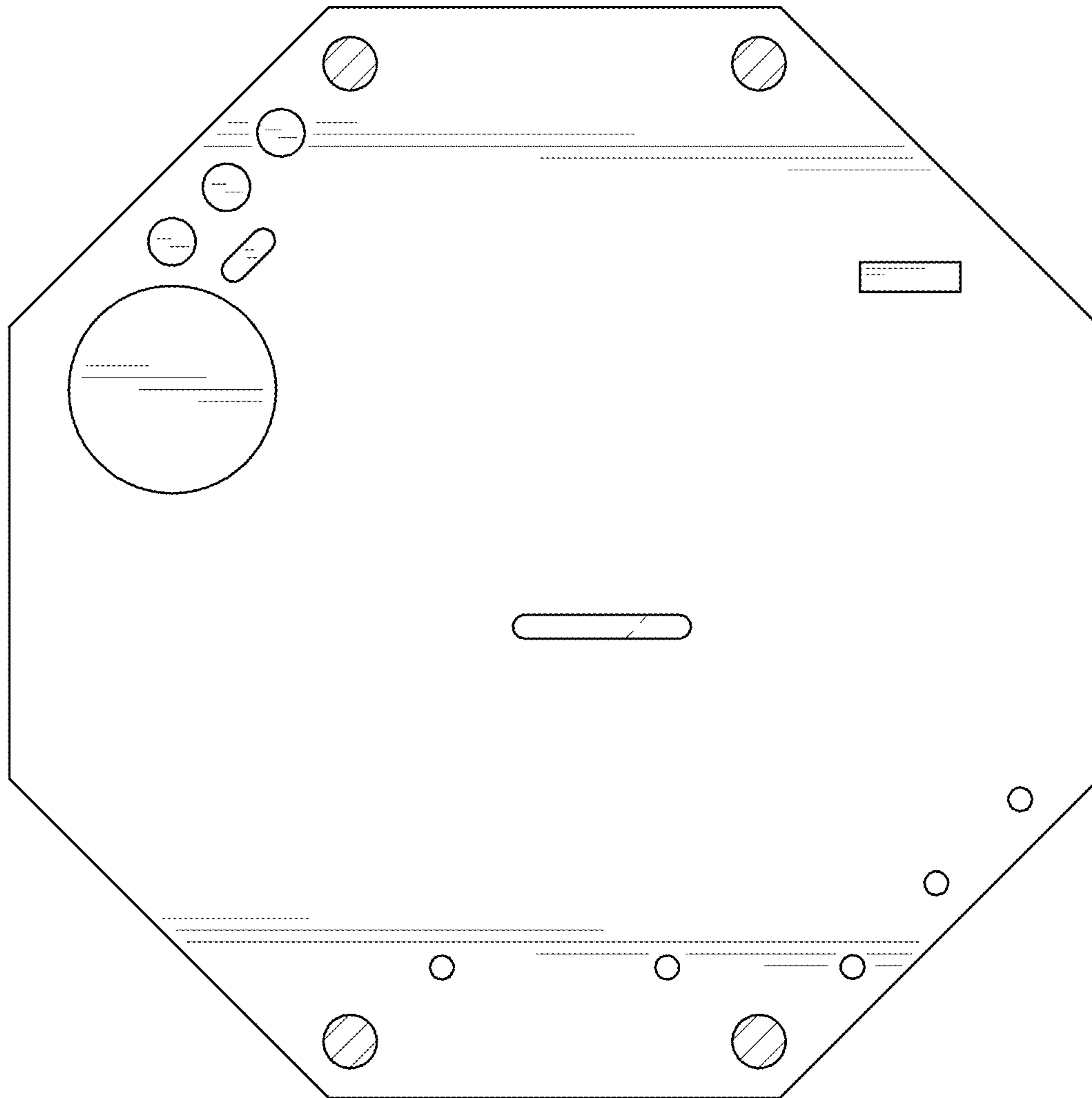


FIG. 9