



US00D970311S

(12) **United States Design Patent** (10) **Patent No.:** **US D970,311 S**
Ringel (45) **Date of Patent:** **** Nov. 22, 2022**

(54) **BEVERAGE FROTHER AND WHISK**
(71) Applicant: **Shlomi Ringel**, Irvine, CA (US)
(72) Inventor: **Shlomi Ringel**, Irvine, CA (US)
(**) Term: **15 Years**

7,354,189 B2 4/2008 Cheung
D585,708 S * 2/2009 Gransbury D7/682
D607,268 S 1/2010 Bodum
D607,690 S 1/2010 Bodum
D655,568 S 3/2012 Chapman
8,196,905 B2 6/2012 Bodum
D700,008 S 2/2014 Ehrenhaus
(Continued)

(21) Appl. No.: **29/837,166**
(22) Filed: **May 2, 2022**
(51) **LOC (13) Cl.** **07-04**
(52) **U.S. Cl.**
USPC **D7/690**
(58) **Field of Classification Search**
USPC D7/368, 377, 379, 380, 412, 669,
D7/688-696
CPC A47J 31/4485; A47J 31/4489; A47J 43/07;
A47J 43/0705; A47J 43/0711; A47J
43/10; A47J 43/1006; A47J 43/1075;
A47J 43/1087; A47J 43/1093; A47J
2043/04409; A47J 2043/04427
See application file for complete search history.

OTHER PUBLICATIONS

Design No. 307518551, Apr. 25, 2022—China National Intellectual Property Administration (CNIPA) Publication Date—Aug. 26, 2022
Owner—Dongguan Hongmeng Electronic Technology Co Ltd,
Designer—Meng Shusheng WIPO, available at <https://www3.wipo.int/designdb/en/index.jsp> (Year: 2022).*
(Continued)

Primary Examiner — Mary Ann Calabrese
Assistant Examiner — Natalya M Rapundalo
(74) *Attorney, Agent, or Firm* — Quickpatents, LLC;
Kevin Prince

(56) **References Cited**

U.S. PATENT DOCUMENTS

1,140,341 A	5/1915	Johnston	
2,278,398 A	3/1942	Wittmann	
2,906,510 A	9/1959	Harris	
4,380,192 A	4/1983	Doren	
D362,793 S	* 10/1995	Khan D7/688
5,482,367 A	1/1996	Khan	
D425,380 S	5/2000	Gartz	
D426,742 S	6/2000	Gartz	
D452,111 S	12/2001	Lane	
D489,583 S	5/2004	Cheung	
D490,667 S	6/2004	Cheung	
D492,165 S	6/2004	Cheung	
D493,330 S	7/2004	Lane	
D500,631 S	1/2005	Ranzoni	
D542,102 S	5/2007	Cheung	
D559,034 S	1/2008	Bodum	

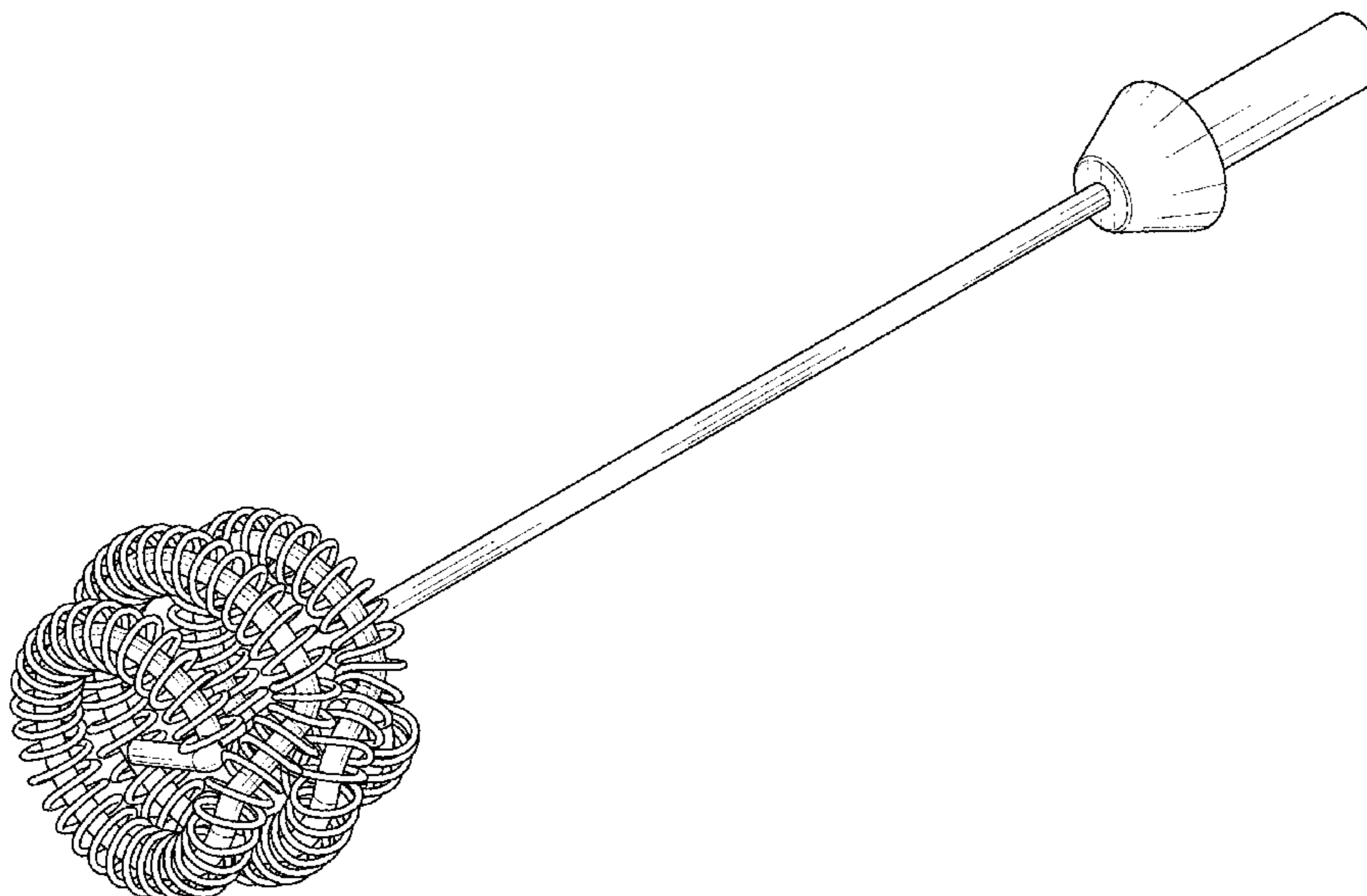
(57) **CLAIM**

The ornamental design for a beverage frother and whisk, as shown and described.

DESCRIPTION

FIG. 1 is a front perspective view of a beverage frother and whisk, showing my new design;
FIG. 2 is a rear perspective view thereof;
FIG. 3 is a front elevational view thereof;
FIG. 4 is a rear elevational view thereof;
FIG. 5 is a top plan view thereof;
FIG. 6 is a bottom plan view thereof;
FIG. 7 is a left-side elevational view thereof; and,
FIG. 8 is a right-side elevational view thereof.
The broken lines in FIG. 4 depict portions of the a beverage frother and whisk that form no part of the claimed design.

1 Claim, 5 Drawing Sheets



(56)

References Cited

U.S. PATENT DOCUMENTS

D725,431 S * 3/2015 Enghard D7/397
 D783,339 S 4/2017 Mullen
 D808,216 S 1/2018 Holowaychuk
 D828,079 S 9/2018 Winn
 D843,795 S 3/2019 Perry
 D864,662 S 10/2019 Sorensen
 D880,933 S * 4/2020 Symons B01F 33/86
 D7/378
 D882,356 S 4/2020 Gort-Barten
 D884,413 S 5/2020 Zhu
 D897,145 S 9/2020 Xiao
 D900,562 S 11/2020 Huang
 D909,831 S 2/2021 Kim
 D915,818 S 4/2021 He
 D916,550 S 4/2021 Chen
 D916,564 S 4/2021 Kent
 D921,451 S 6/2021 Kim
 D924,619 S * 7/2021 Chen B01F 27/13
 D7/380
 D943,339 S 2/2022 Jo

D944,589 S 3/2022 Wu
 D960,636 S * 8/2022 McConnell A23L 2/54
 D7/412
 2002/0075752 A1* 6/2002 Lane A47J 43/08
 366/129
 2003/0198124 A1* 10/2003 Glucksman B01F 27/13
 366/206
 2004/0151061 A1 8/2004 Cheung
 2015/0282674 A1* 10/2015 Wong B01F 33/86
 366/129
 2021/0169263 A1* 6/2021 Symons A47J 43/1087
 2021/0369046 A1* 12/2021 Bentley A23L 2/54
 2022/0183507 A1* 6/2022 Petrosyan B01F 27/13

OTHER PUBLICATIONS

ElitaPro Luxury Edition, Milk frother, first available Aug. 1, 2022, Amazon, [online], [site visited Sep. 14, 2022], Available from internet URL: <https://www.amazon.com/dp/B0B88V5CRY> (Year: 2022).*

* cited by examiner

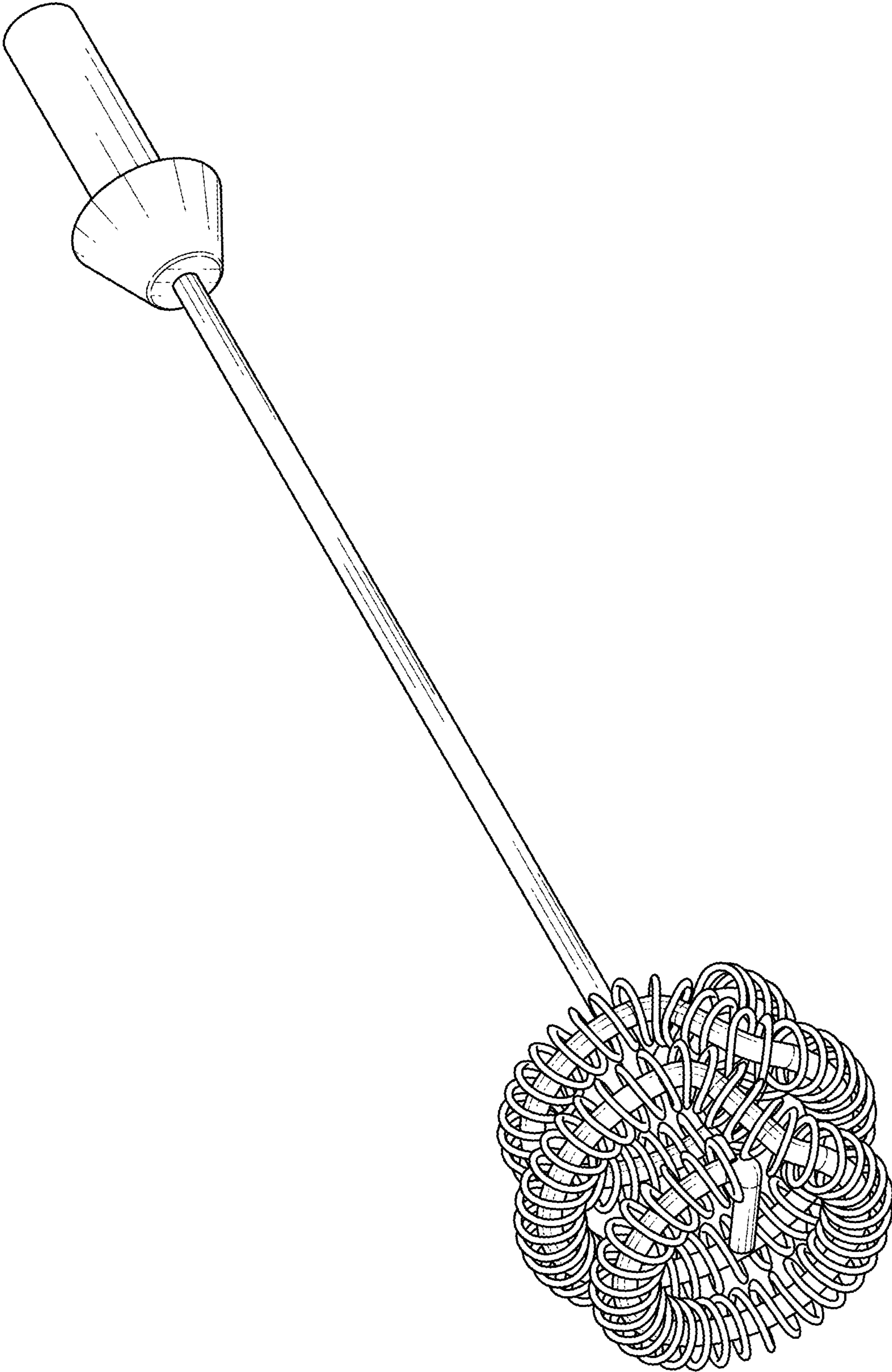


FIG. 1

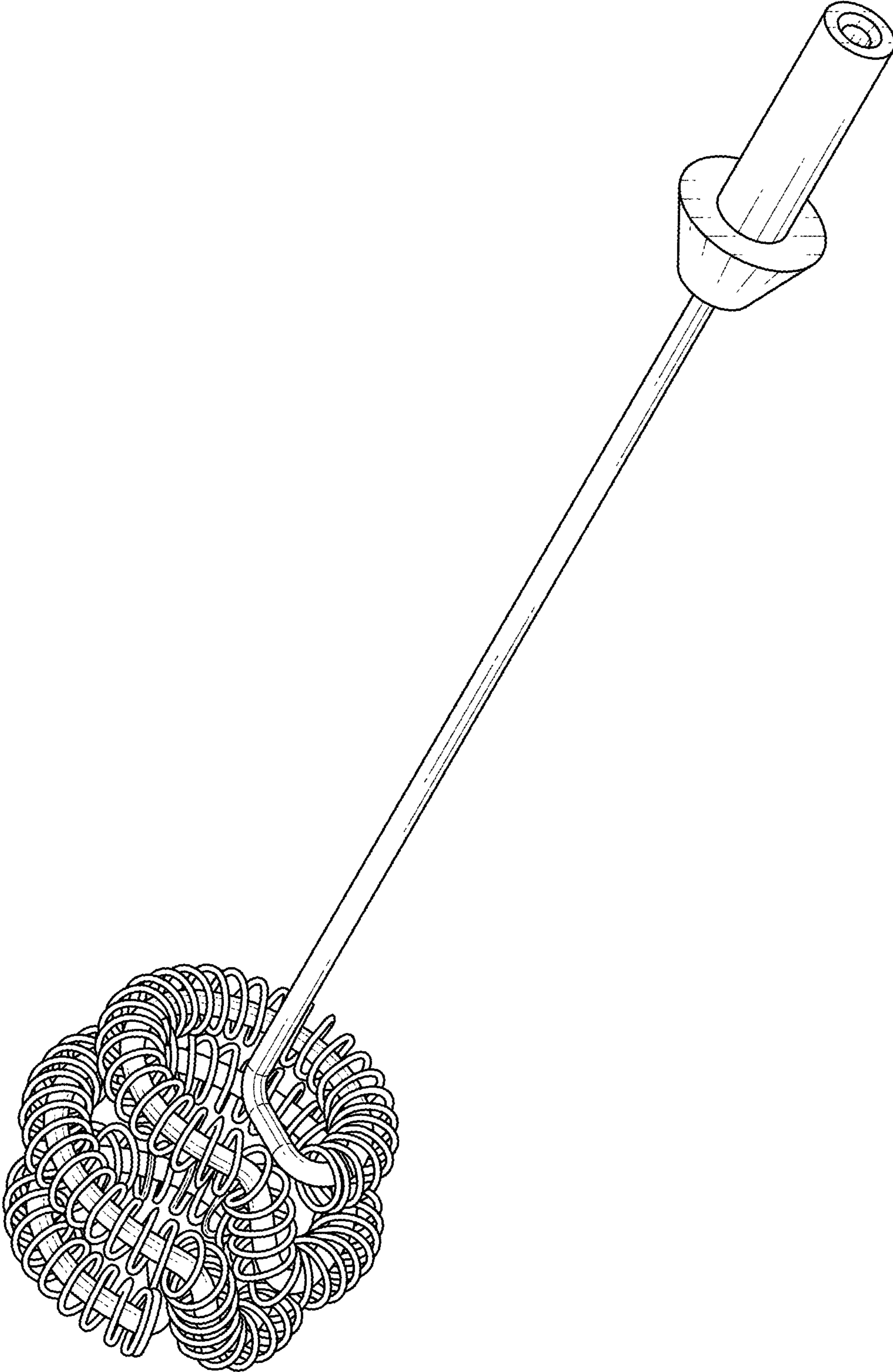


FIG. 2

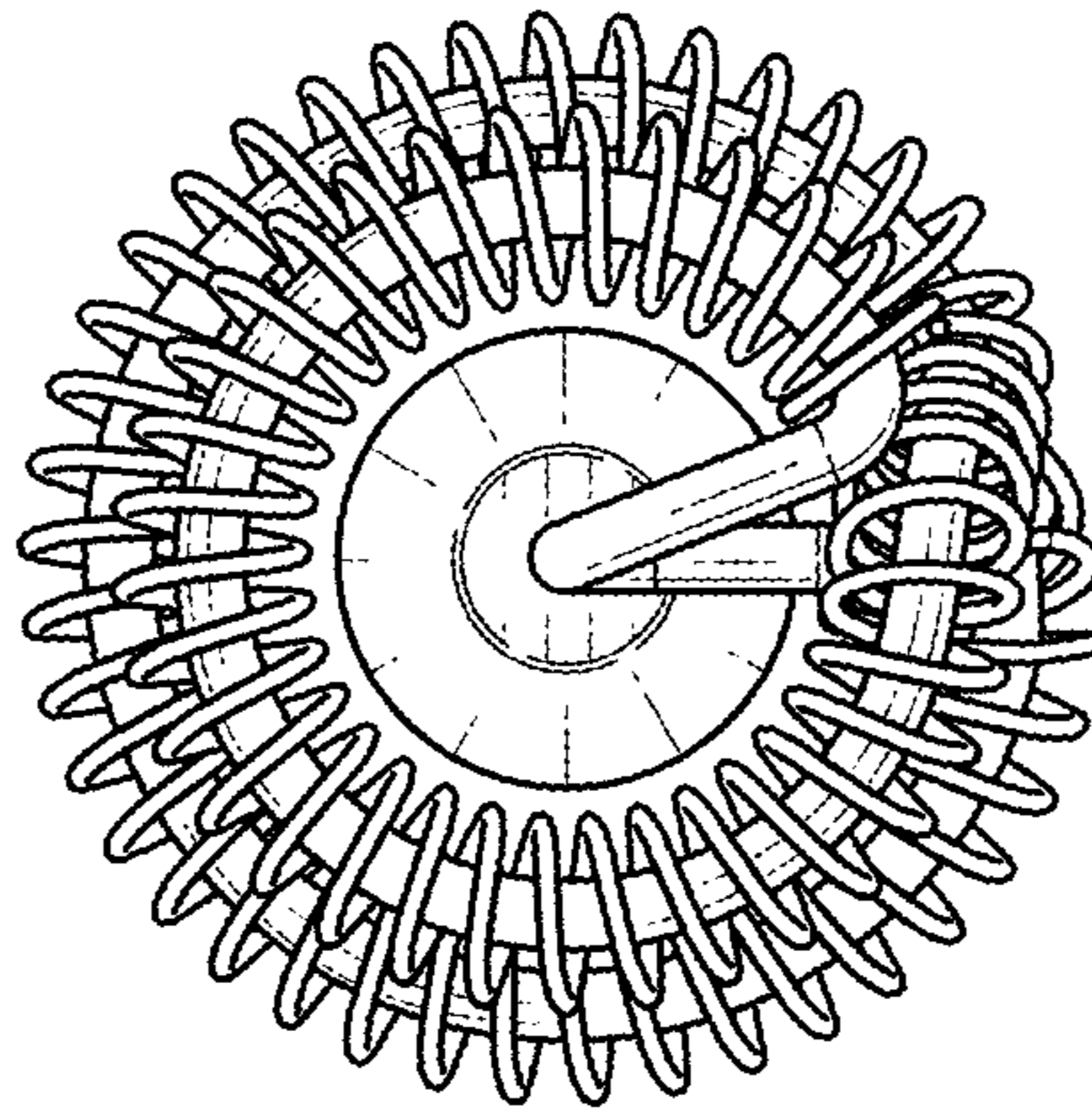


FIG. 3

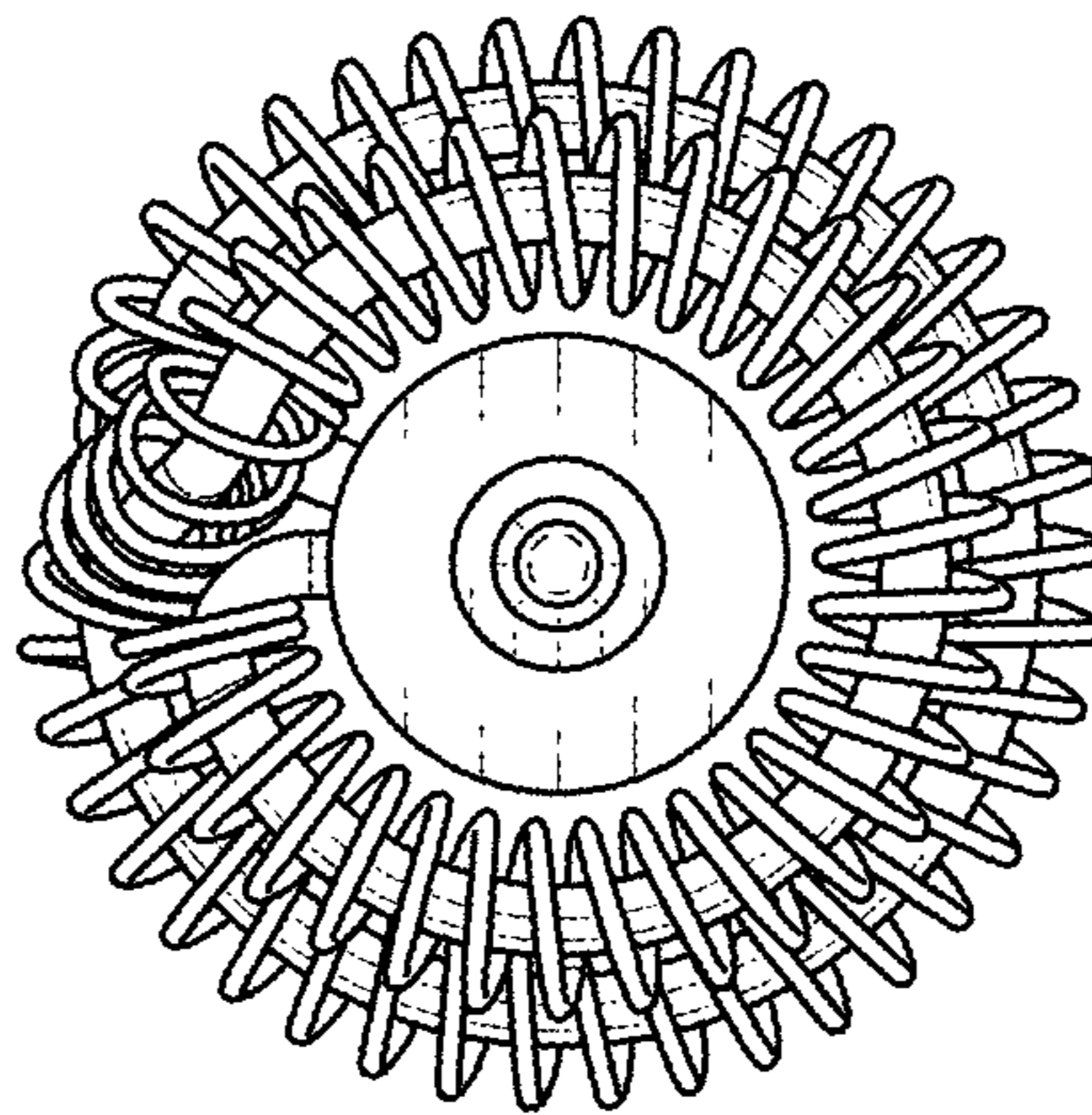


FIG. 4

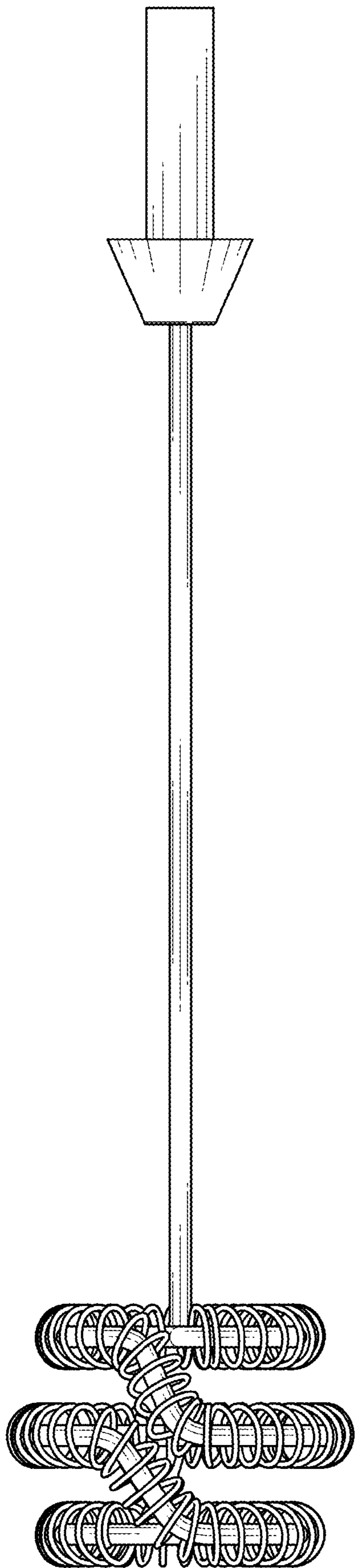


FIG. 5

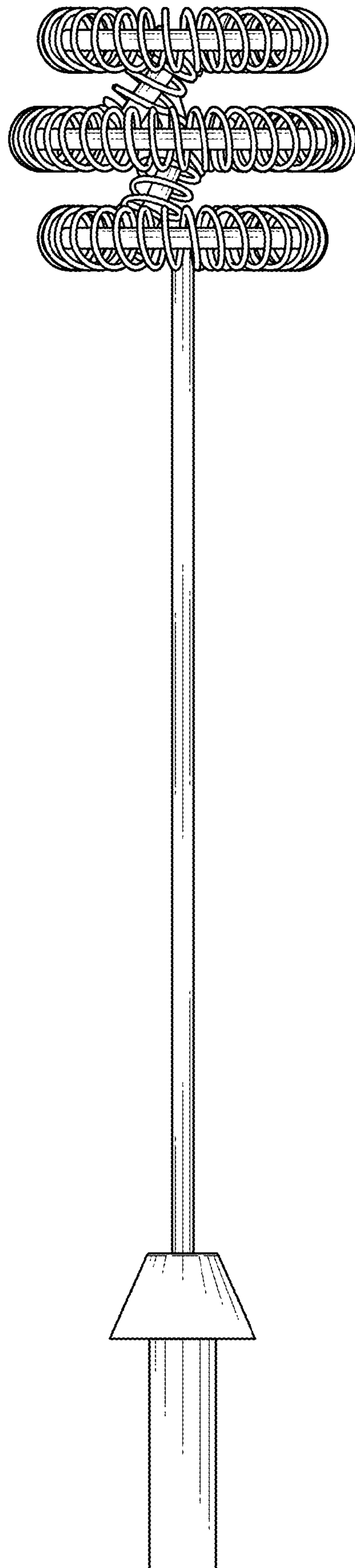


FIG. 6

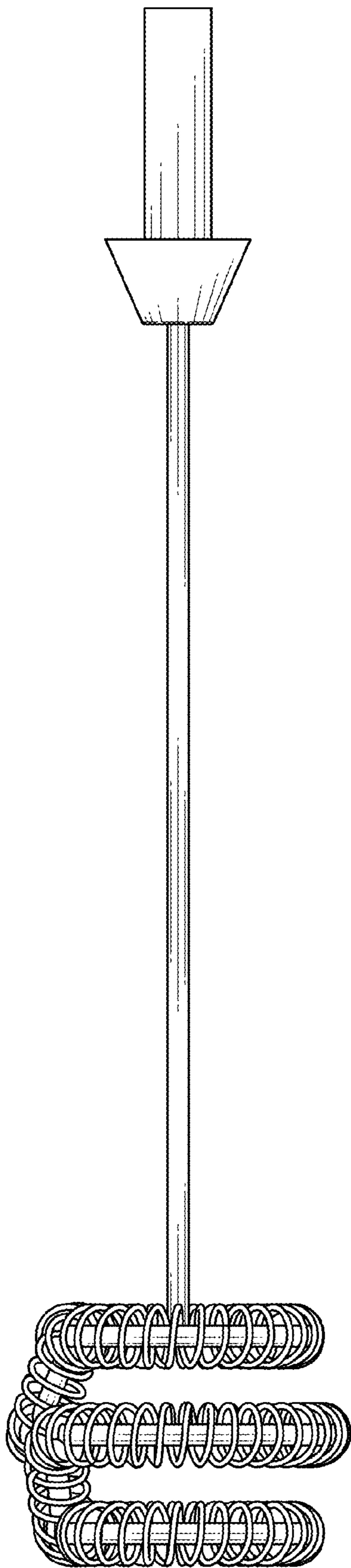


FIG. 7

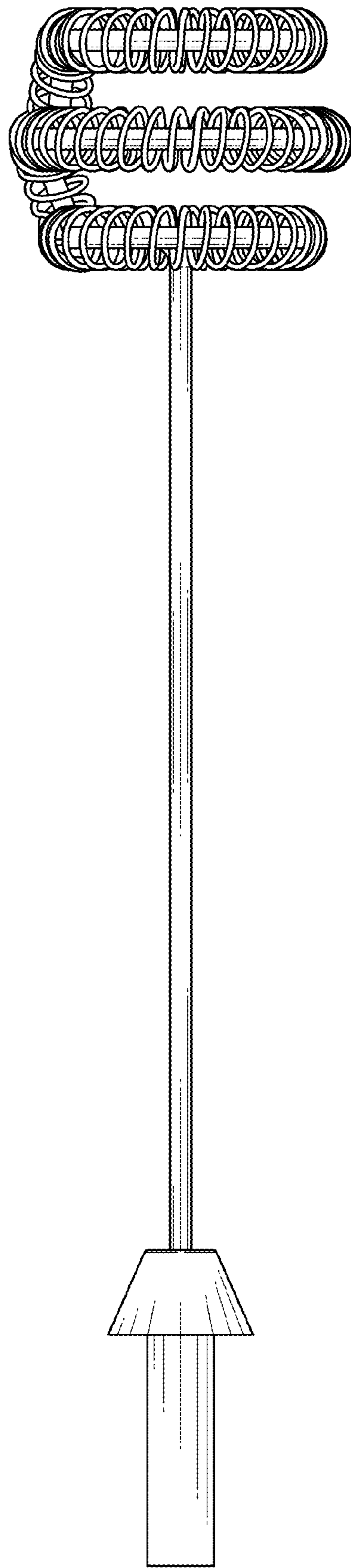


FIG. 8