



US00D970310S

(12) **United States Design Patent**  
**Zhang**

(10) **Patent No.:** **US D970,310 S**

(45) **Date of Patent:** **\*\* Nov. 22, 2022**

(54) **FOOD MOLD**

(71) Applicant: **THINK GREEN LIMITED**, Auckland (NZ)

(72) Inventor: **Shuting Zhang**, Hubei (CN)

(73) Assignee: **THINK GREEN LIMITED**, Auckland (NZ)

(\*\*) Term: **15 Years**

(21) Appl. No.: **29/820,400**

(22) Filed: **Dec. 21, 2021**

(30) **Foreign Application Priority Data**

Oct. 20, 2021 (CN) ..... 202130688751.8

(51) **LOC (13) Cl.** ..... **07-04**

(52) **U.S. Cl.**  
USPC ..... **D7/676**

(58) **Field of Classification Search**  
USPC ..... D7/672-677, 368, 669; D15/89, 90  
CPC ..... A47J 43/20; A21C 11/106  
See application file for complete search history.

(56) **References Cited**

**U.S. PATENT DOCUMENTS**

- D157,487 S \* 2/1950 Goodman et al. .... D7/675
- D185,873 S \* 8/1959 Bergeron ..... A47G 19/02  
D7/555
- D202,529 S \* 10/1965 Rosebrook ..... D15/90
- D274,693 S 7/1984 Cruz
- D361,514 S \* 8/1995 Krupa ..... D7/357
- D448,977 S \* 10/2001 Bleimaier ..... D7/553.6
- D468,589 S \* 1/2003 Bulcher ..... B65D 1/36  
D7/553.1
- D507,451 S \* 7/2005 Land ..... D7/357
- D682,011 S \* 5/2013 Hauser ..... D7/354
- D724,904 S 3/2015 Chinon et al.
- D773,884 S \* 12/2016 Waller, Jr. .... D7/553.1

- D914,067 S 3/2021 Wu
- D915,475 S 4/2021 Wu
- D954,766 S \* 6/2022 Olegovich ..... D15/89

**FOREIGN PATENT DOCUMENTS**

- CN 305534985 S 1/2020
- CN 305893334 S 7/2020
- CN 305917995 S 7/2020

**OTHER PUBLICATIONS**

Popblossom, Chocolate Mold Tray, Jan. 10, 2019, Amazon, <https://www.amazon.com/Chocolate-Silicone-perfect-pudding-Pineapple/dp/B07N7T9XRN> (Year: 2019).\*

(Continued)

*Primary Examiner* — Brett Miller

(74) *Attorney, Agent, or Firm* — Dragon Sun Law Firm, PC; Jinggao Li; Nathaniel Perkins

(57) **CLAIM**

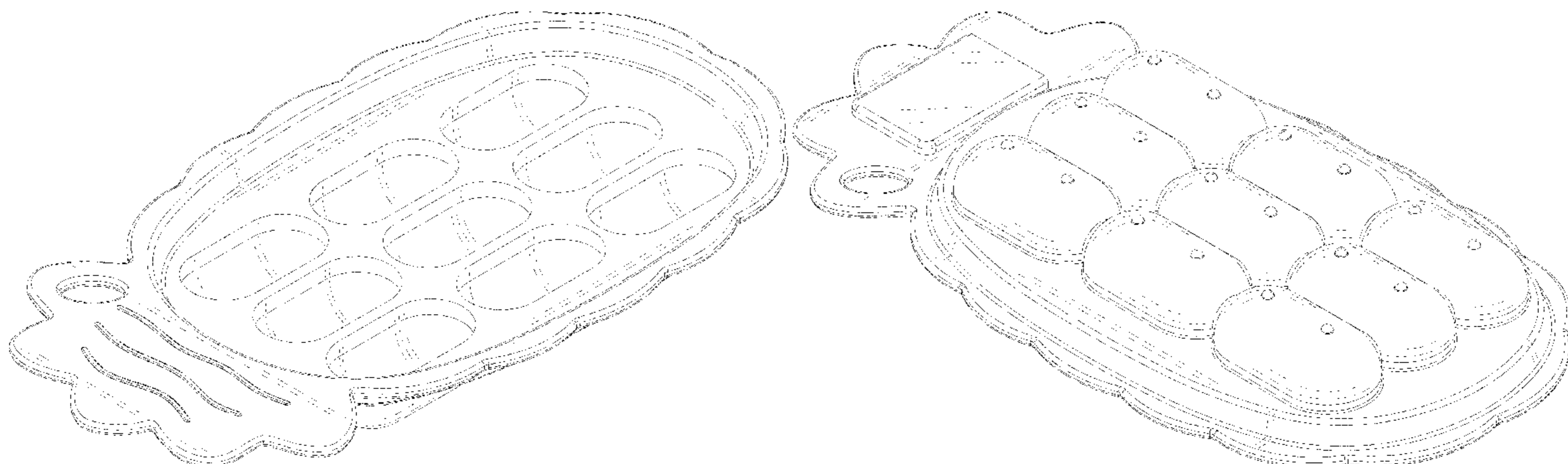
The ornamental design for a food mold, as shown and described.

**DESCRIPTION**

FIG. 1 is a front, right side, top perspective view of a food mold embodying my new design;  
FIG. 2 is a rear, right side, top perspective view thereof;  
FIG. 3 is a rear, left side, bottom perspective view thereof;  
FIG. 4 is a front elevation view thereof;  
FIG. 5 is a rear elevation view thereof;  
FIG. 6 is an enlarged left side elevation view thereof;  
FIG. 7 is an enlarged right side elevation view thereof;  
FIG. 8 is a top plan view thereof; and,  
FIG. 9 is a bottom plan view thereof.

The broken lines shown in the figures depict portions of the food mold that form no part of the claimed design.

**1 Claim, 8 Drawing Sheets**



(56)

**References Cited**

OTHER PUBLICATIONS

WeeSprout, Silicone Baby Food Freezer Tray, 2019, Amazon,  
<https://www.amazon.com/Silicone-Baby-Freezer-Clip-WeeSprout/dp/B01LZ6CLZ0> (Year: 2019).\*

Lilly's Home Store, Narrow Ice Stick Cube Trays, 2016, Amazon,  
<https://www.amazon.com/Lilys-Home-Silicone-Material-Assorted/dp/B01A7G2W5W> (Year: 2016).\*

\* cited by examiner

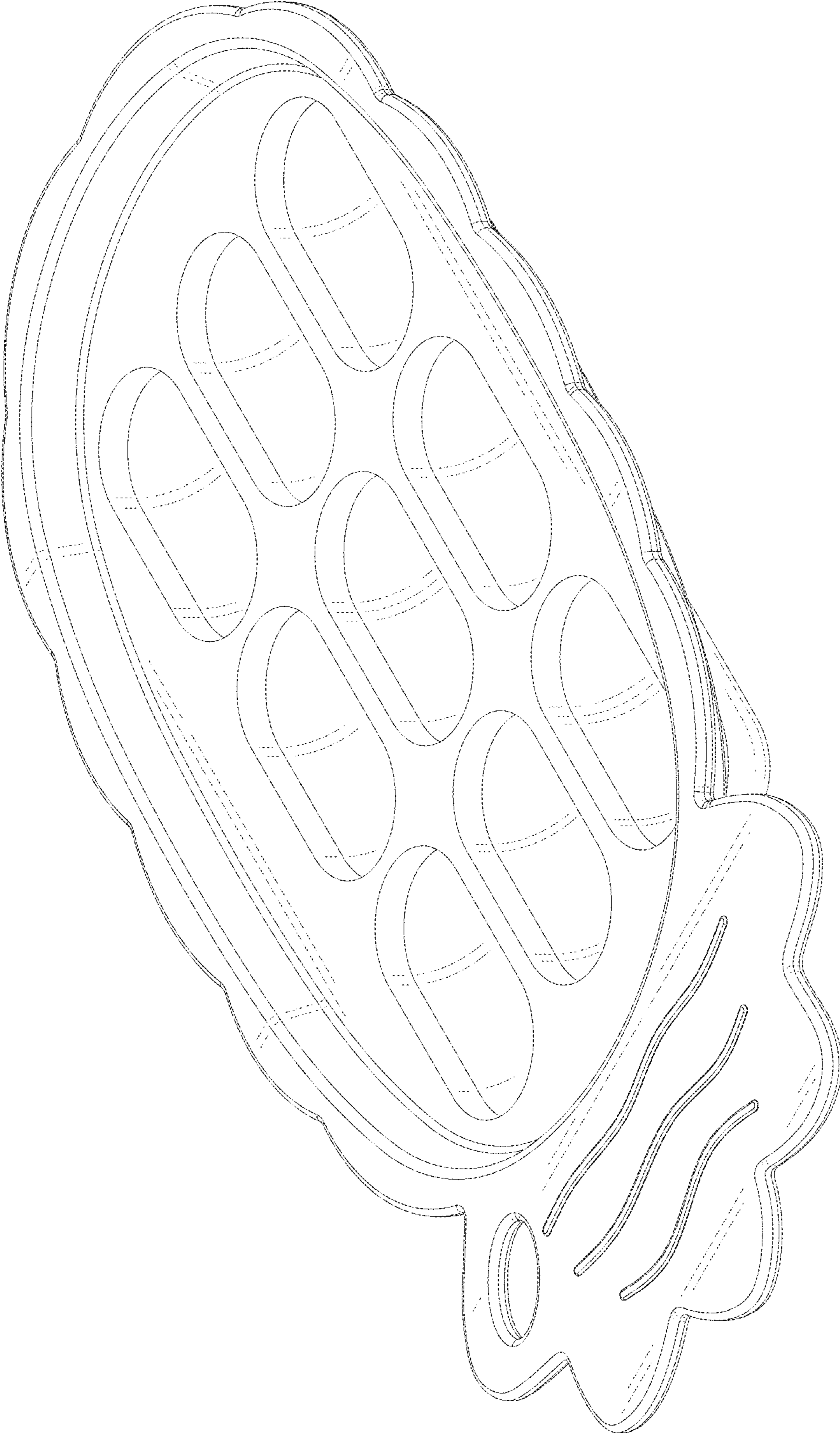


FIG. 1

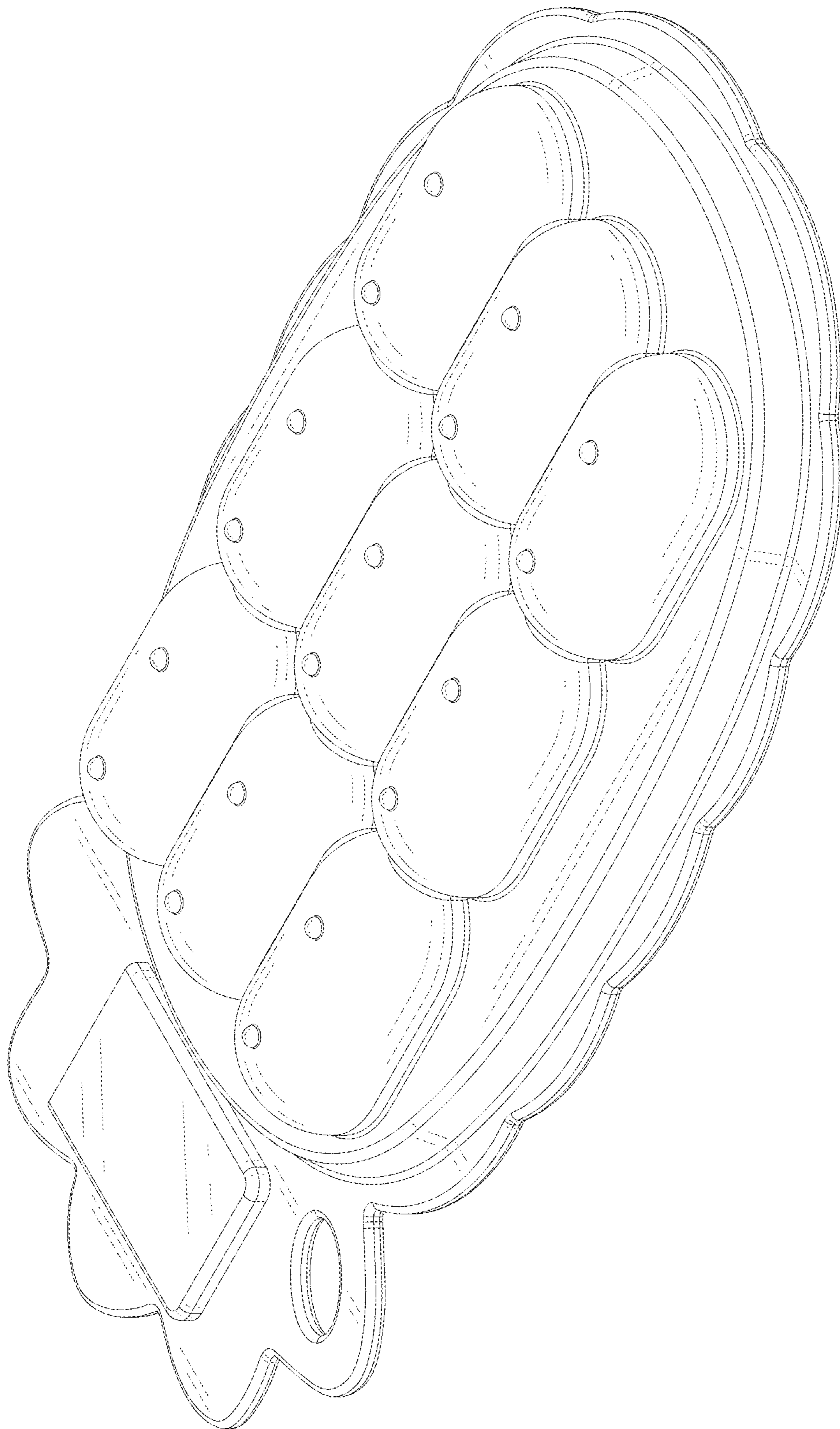


FIG. 2

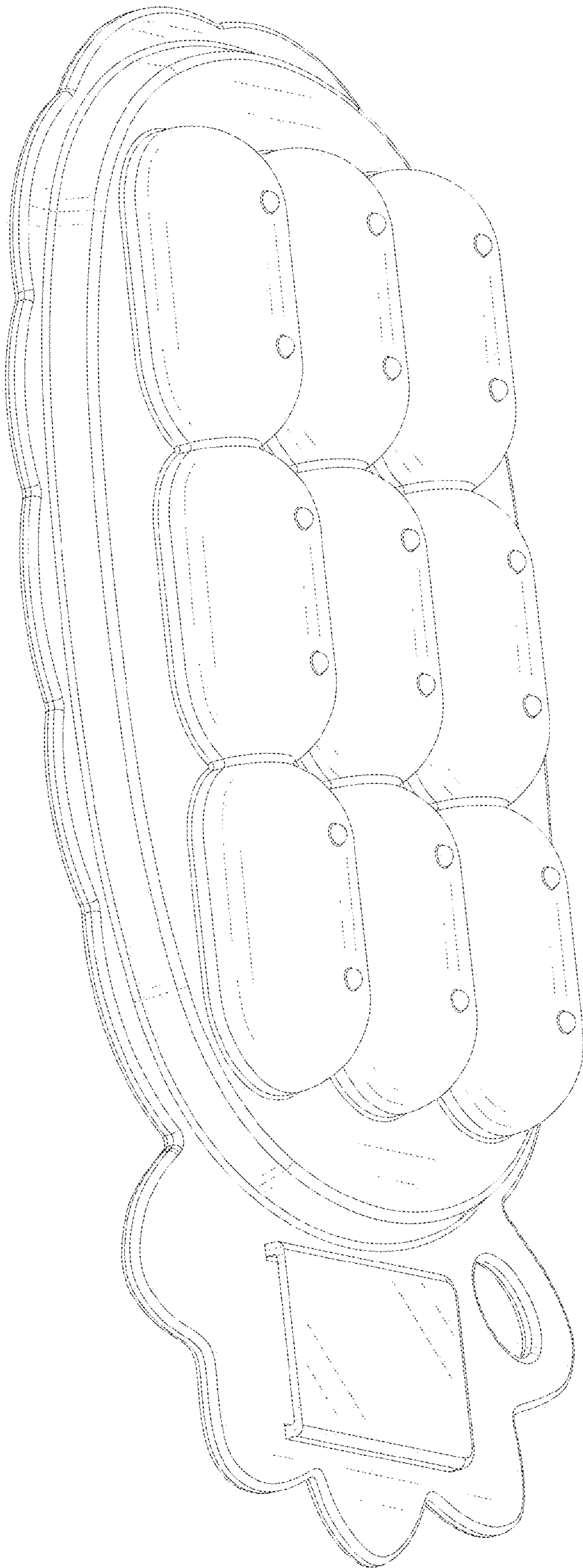


FIG. 3

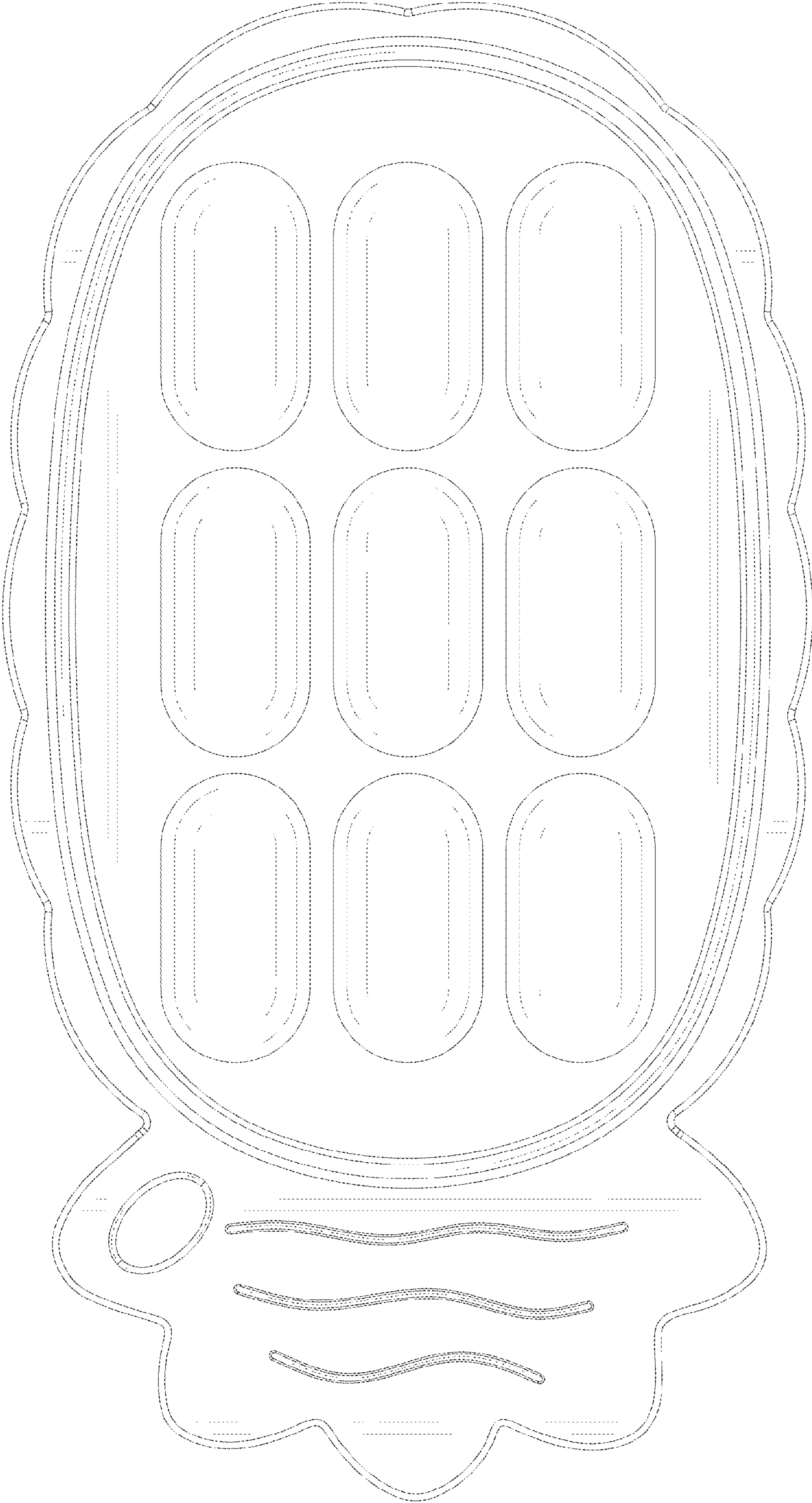


FIG. 4

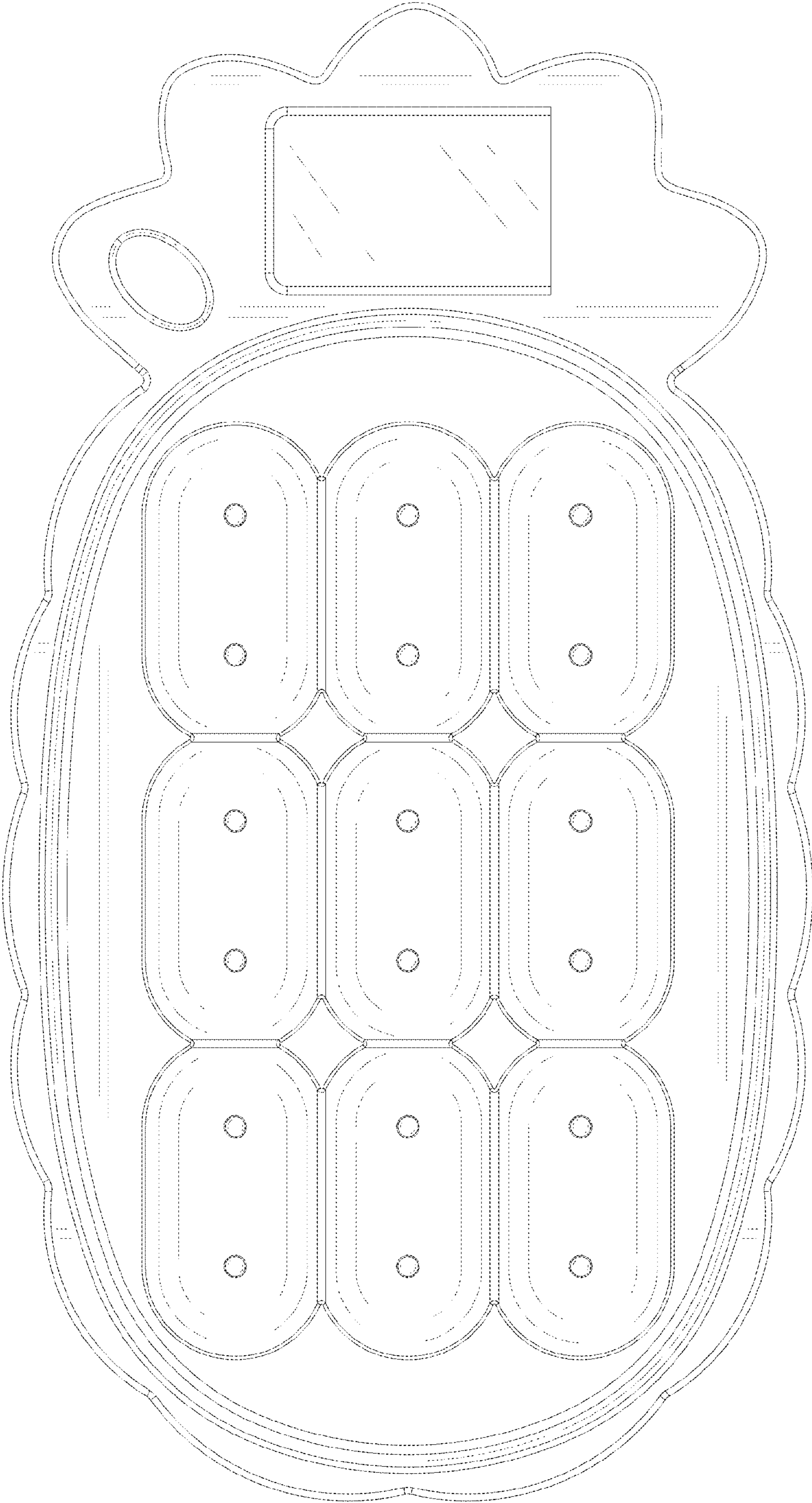


FIG. 5

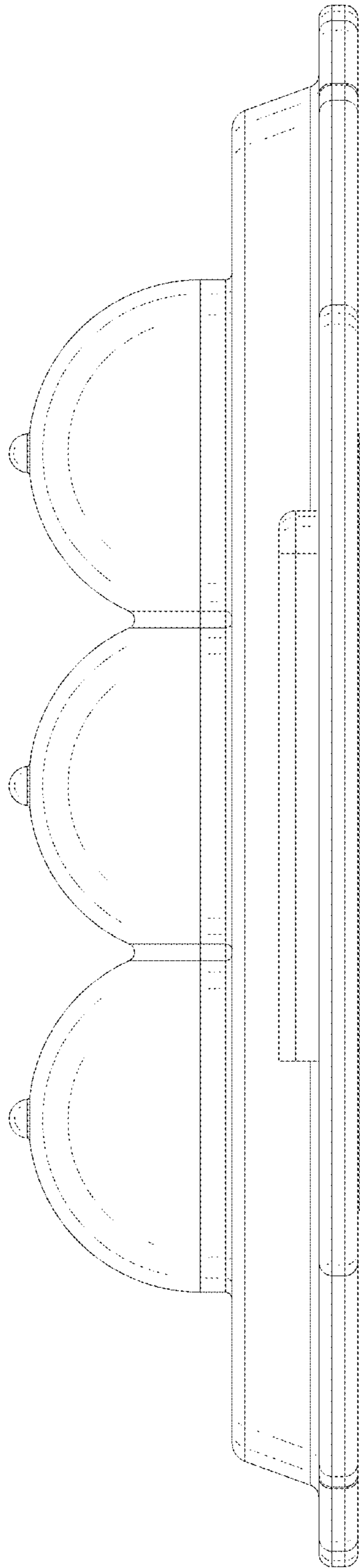


FIG. 6



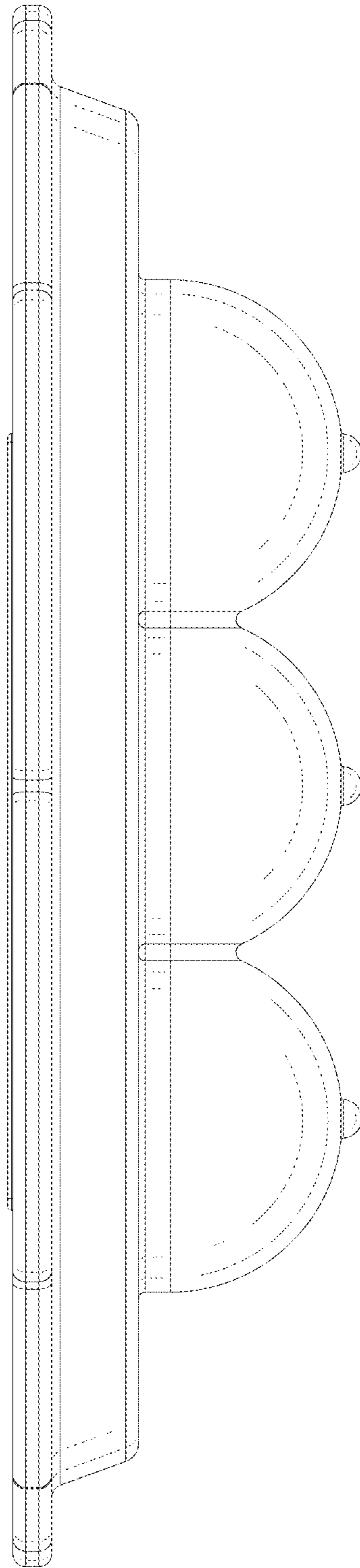


FIG. 7

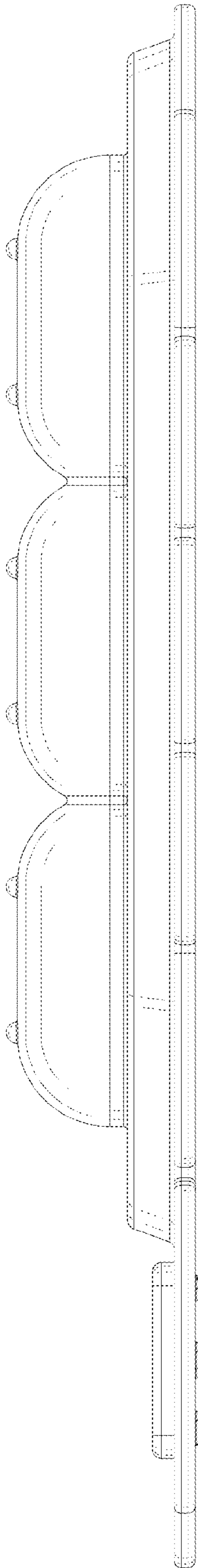


FIG. 8

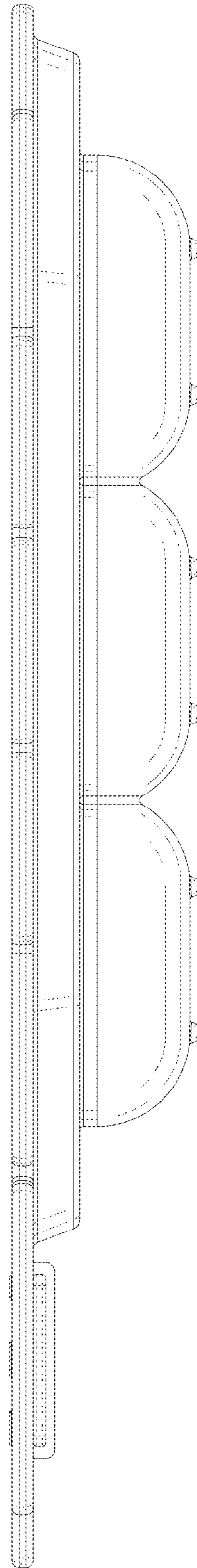


FIG. 9