



US00D970309S

(12) **United States Design Patent** (10) **Patent No.:** **US D970,309 S**
Yu et al. (45) **Date of Patent:** **** Nov. 22, 2022**

(54) **ELECTRIC CITRUS JUICER** D880,959 S * 4/2020 Allende Fritsch D7/665
D905,496 S * 12/2020 Pamplin D7/378
(71) Applicant: **Fujian Meizhikou Technology Co.,** D916,549 S 4/2021 Li
Ltd., Fujian (CN) D935,851 S * 11/2021 Reijnders D7/665
D957,207 S * 7/2022 Liu A47J 43/042
(72) Inventors: **Xiaoqiang Yu, Fujian (CN); Shaoping** D958,611 S * 7/2022 Liu A47J 43/042
Chen, Fujian (CN); Ye Chen, Fujian D7/665
(CN)

(73) Assignee: **Fujian Meizhikou Technology Co.,**
Ltd., Fujian (CN)

(**) Term: **15 Years**

(21) Appl. No.: **29/806,592**

(22) Filed: **Sep. 3, 2021**

(51) **LOC (13) Cl.** **07-04**

(52) **U.S. Cl.**
USPC **D7/665**

(58) **Field of Classification Search**
USPC D7/368, 387, 412, 414, 665–669, 672,
D7/673, 678–680, 682–687, 693
CPC A47J 19/00; A47J 19/005; A47J 19/02;
A47J 19/023; A47J 19/025; A47J 19/027;
A47J 19/06
See application file for complete search history.

(56) **References Cited**

U.S. PATENT DOCUMENTS

D504,277 S * 4/2005 Hei A47J 43/042
D7/378
D521,813 S * 5/2006 Piret A47J 43/042
D7/665
D733,504 S * 7/2015 Choi D7/665
D744,792 S * 12/2015 Kim D7/665
D756,718 S 5/2016 Breit
D850,867 S * 6/2019 Lin D7/665
D850,868 S * 6/2019 Lin D7/378
D859,938 S * 9/2019 Yu D7/378

OTHER PUBLICATIONS

Design No. 307007315, Sep. 3, 2021—China National Intellectual Property Administration (CNIPA) Publication Date—Dec. 14, 2021 Owner—Fujian meizhikou Technology Co Ltd, Designer—Yu Xiaoqiang WIPO, available at <https://www3.wipo.int/designdb/en/index.jsp> (Year: 2021).*

(Continued)

Primary Examiner — Mary Ann Calabrese
Assistant Examiner — Natalya M Rapundalo
(74) *Attorney, Agent, or Firm* — ScienBiziP, P.C.

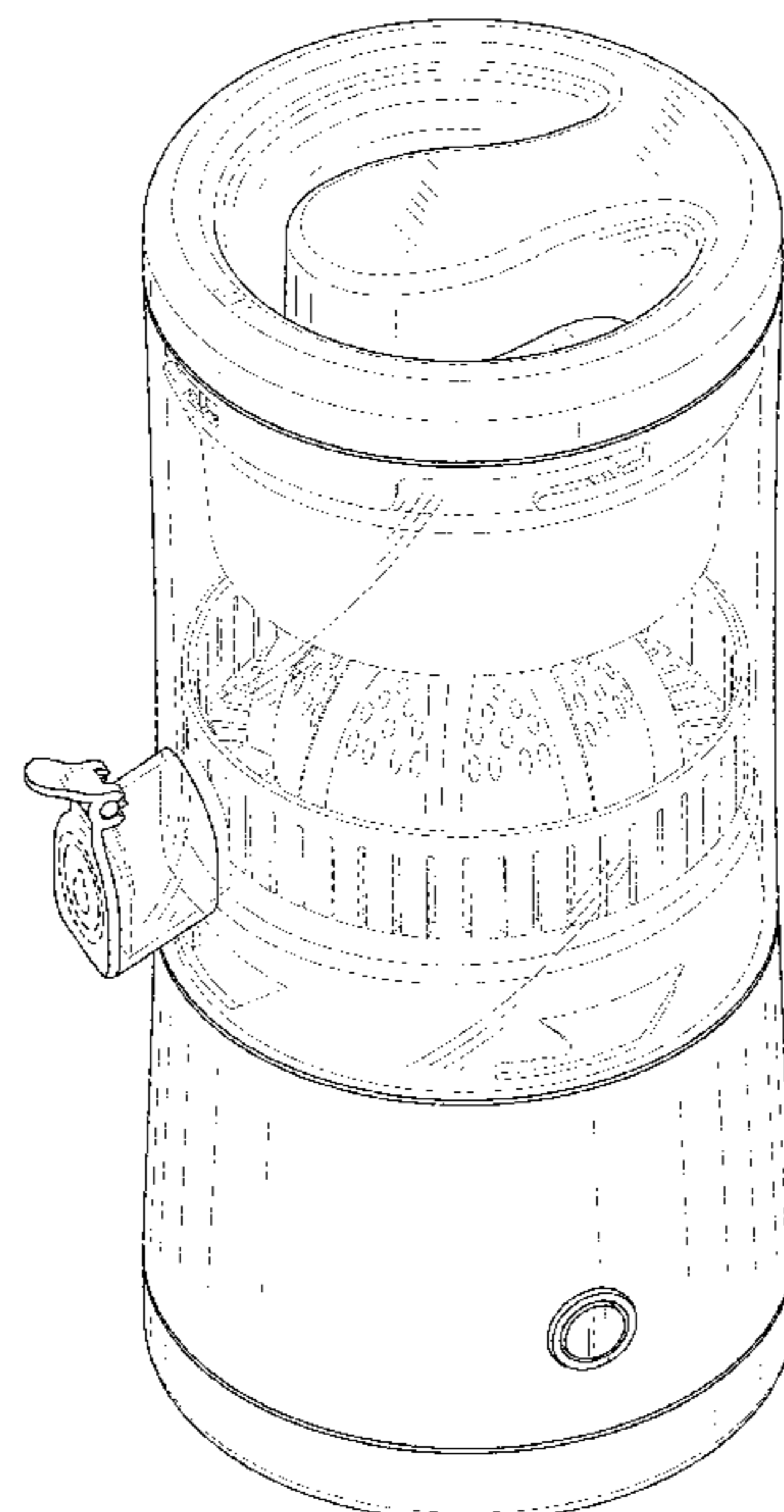
(57) **CLAIM**

The ornamental design for an electric citrus juicer, as shown and described.

DESCRIPTION

FIG. 1 is a front, right, and top perspective view of an electric citrus juicer, showing our design.
FIG. 2 is a front elevation view thereof.
FIG. 3 is a rear elevation view thereof.
FIG. 4 is a left side elevation view thereof.
FIG. 5 is a right side elevation view thereof.
FIG. 6 is a top plan view thereof; and,
FIG. 7 is a bottom plan view thereof.
The broken lines shown in the drawings are included for the purpose of illustrating portions of the electric citrus juicer that form no part of the claimed design.

1 Claim, 7 Drawing Sheets



(56)

References Cited

OTHER PUBLICATIONS

MIGECON Citrus Juicer, first available Dec. 2, 2021, Amazon, [online], [site visited Aug. 2, 2022], Available from internet URL: <https://www.amazon.com/dp/B09MVTY2XM> (Year: 2021).*

USB citrus juicer, first available Dec. 1, 2021, Meizhikou, [online], [site visited Aug. 5, 2022], Available from internet URL: <https://meizhikou.com/product/usb-orange-juicer/> (Year: 2021).*

* cited by examiner

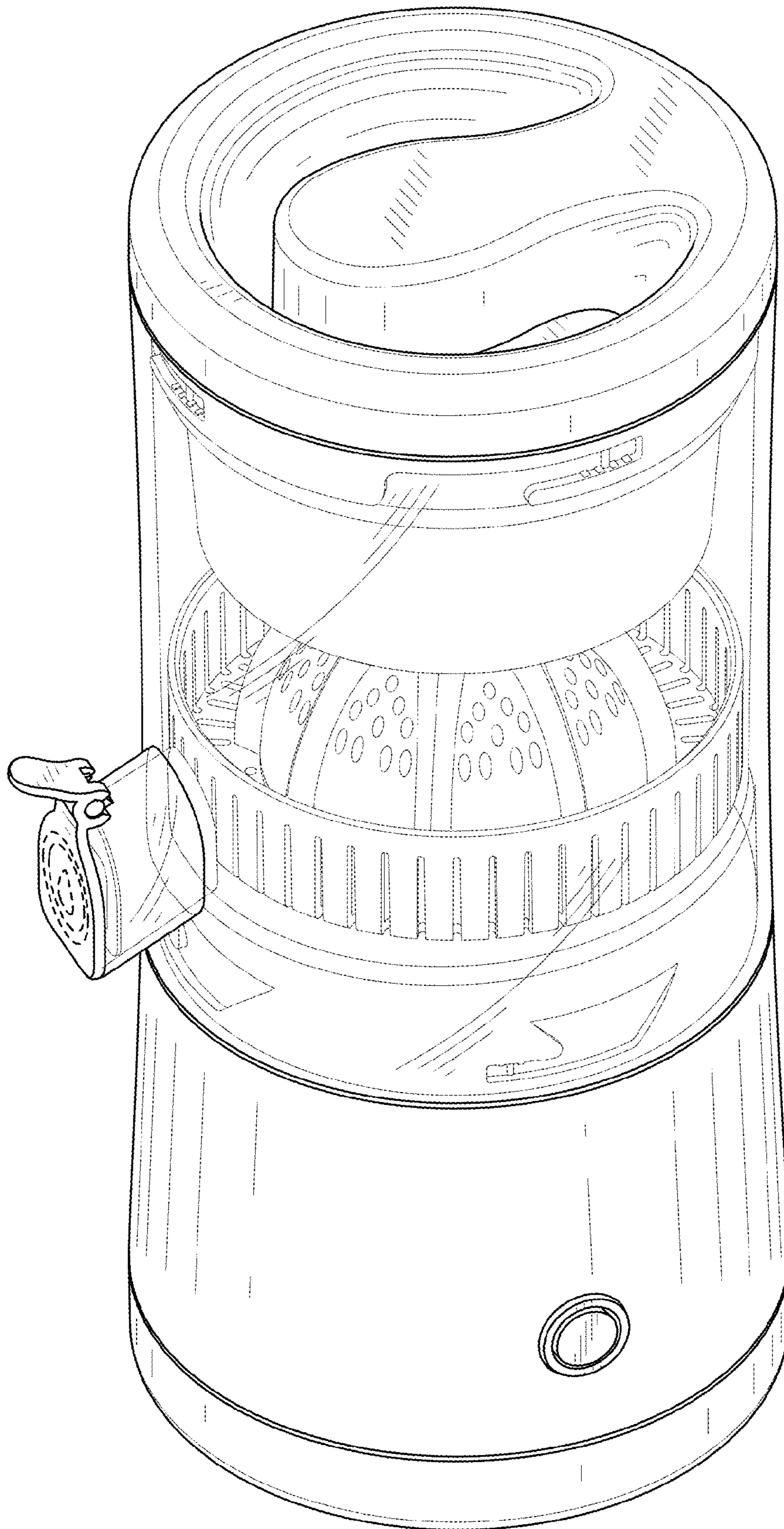


FIG. 1

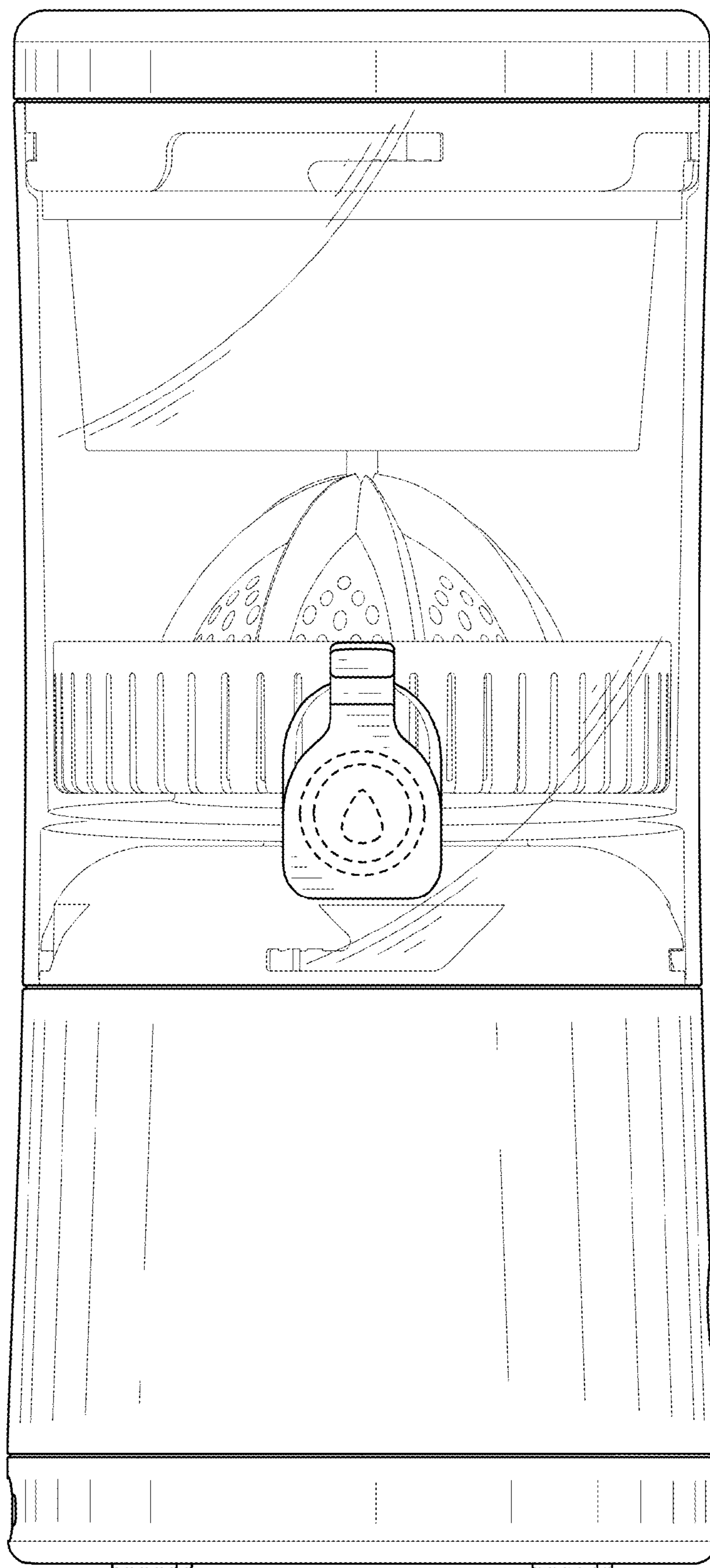


FIG. 2

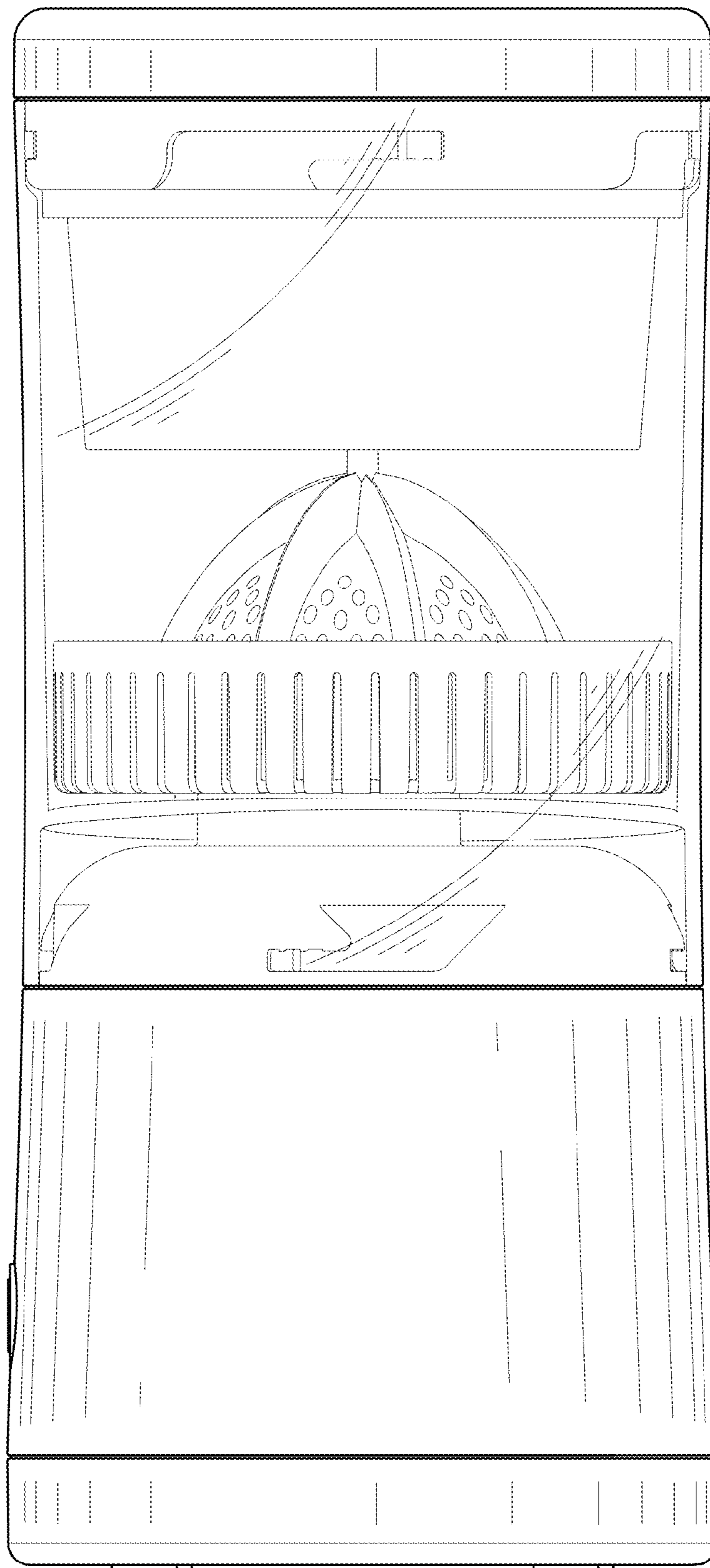


FIG. 3

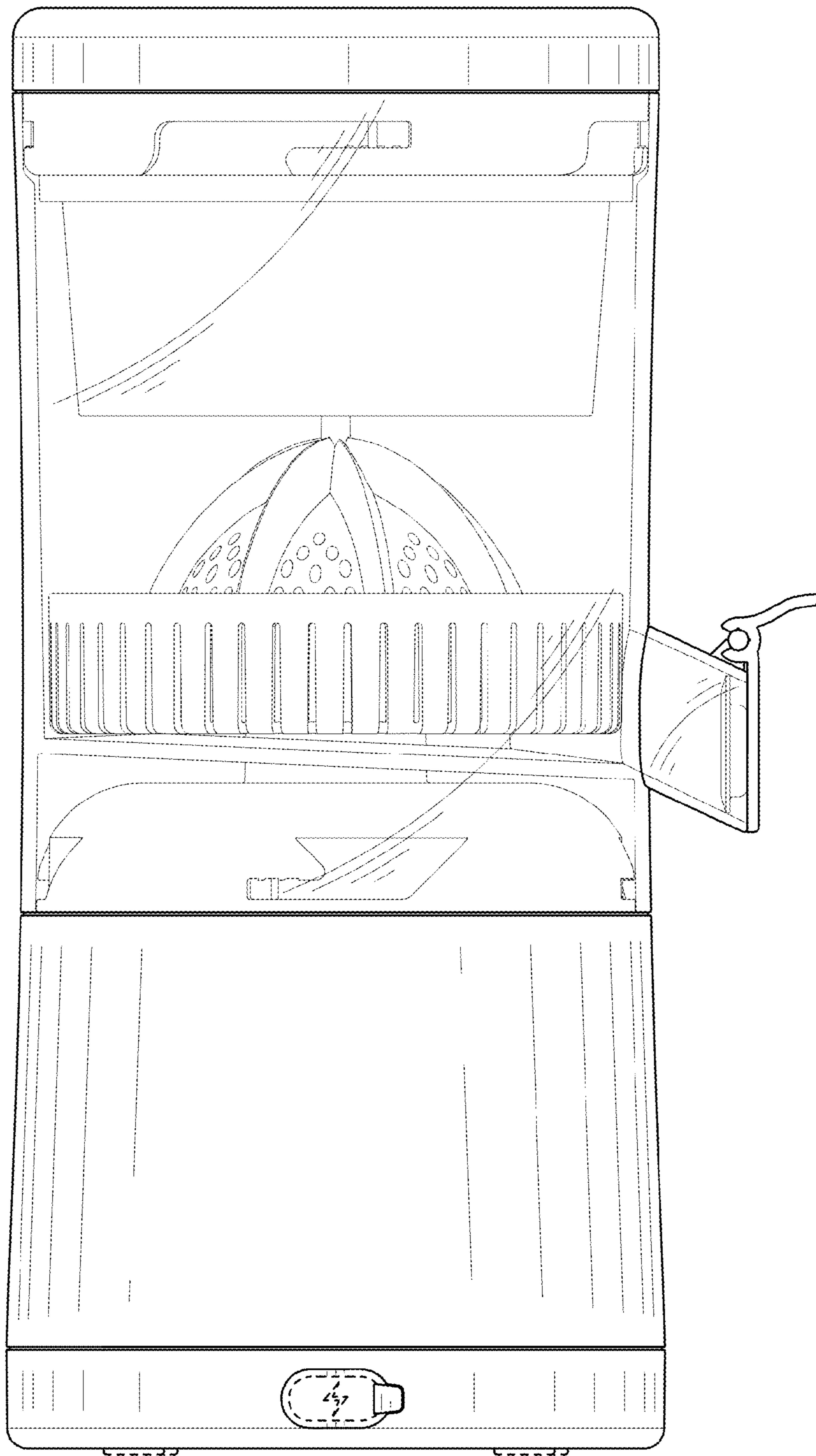


FIG. 4

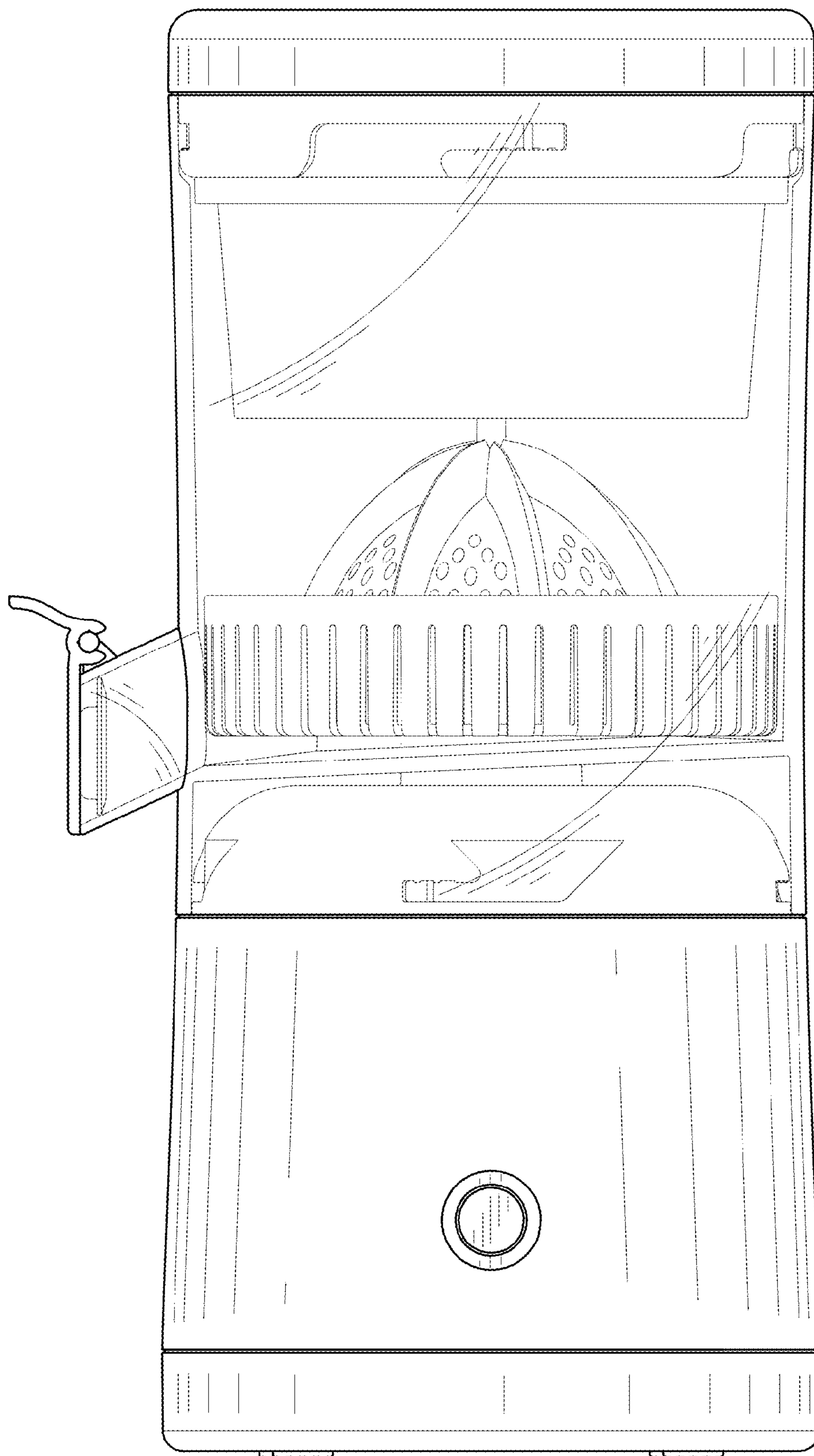


FIG. 5

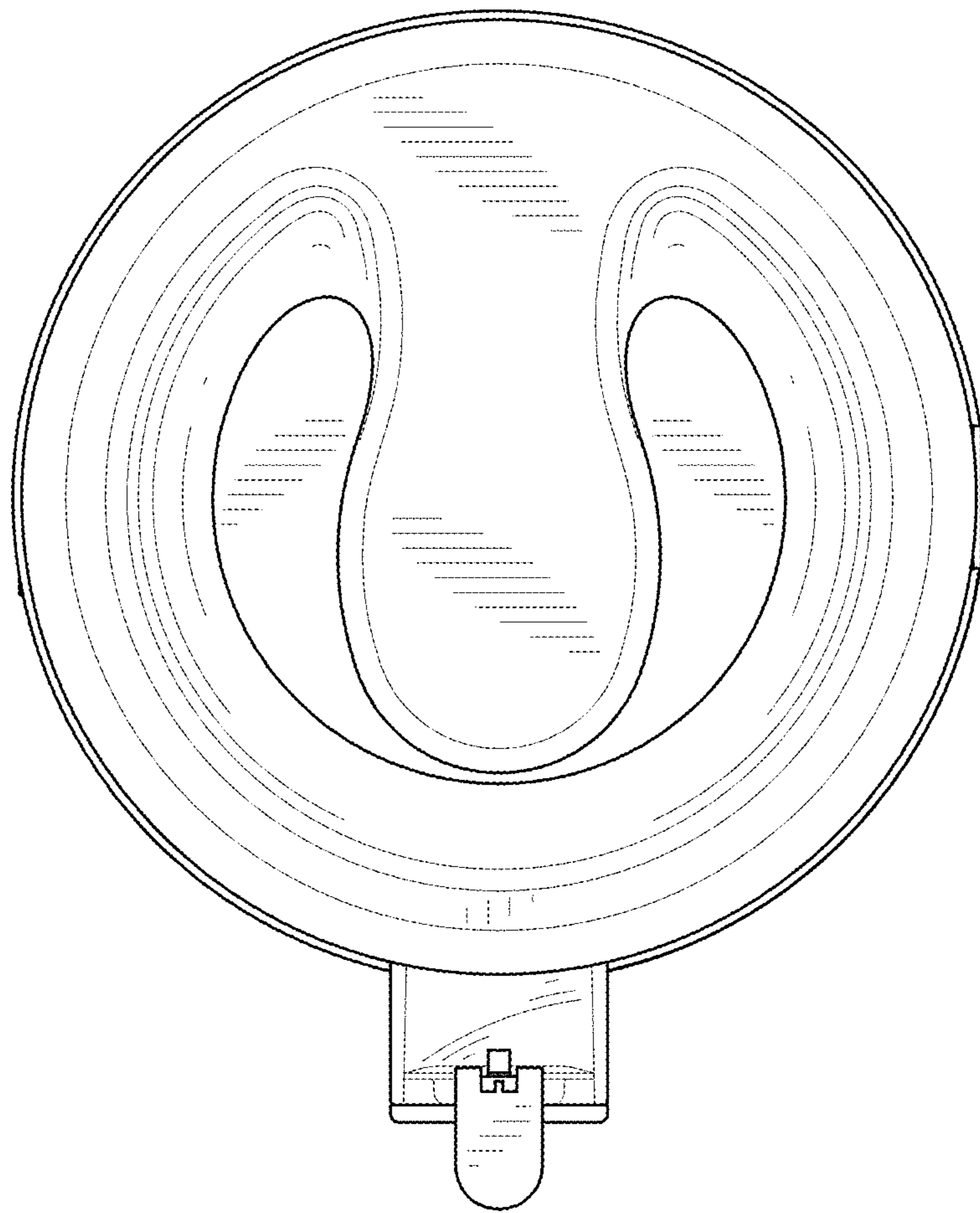


FIG. 6

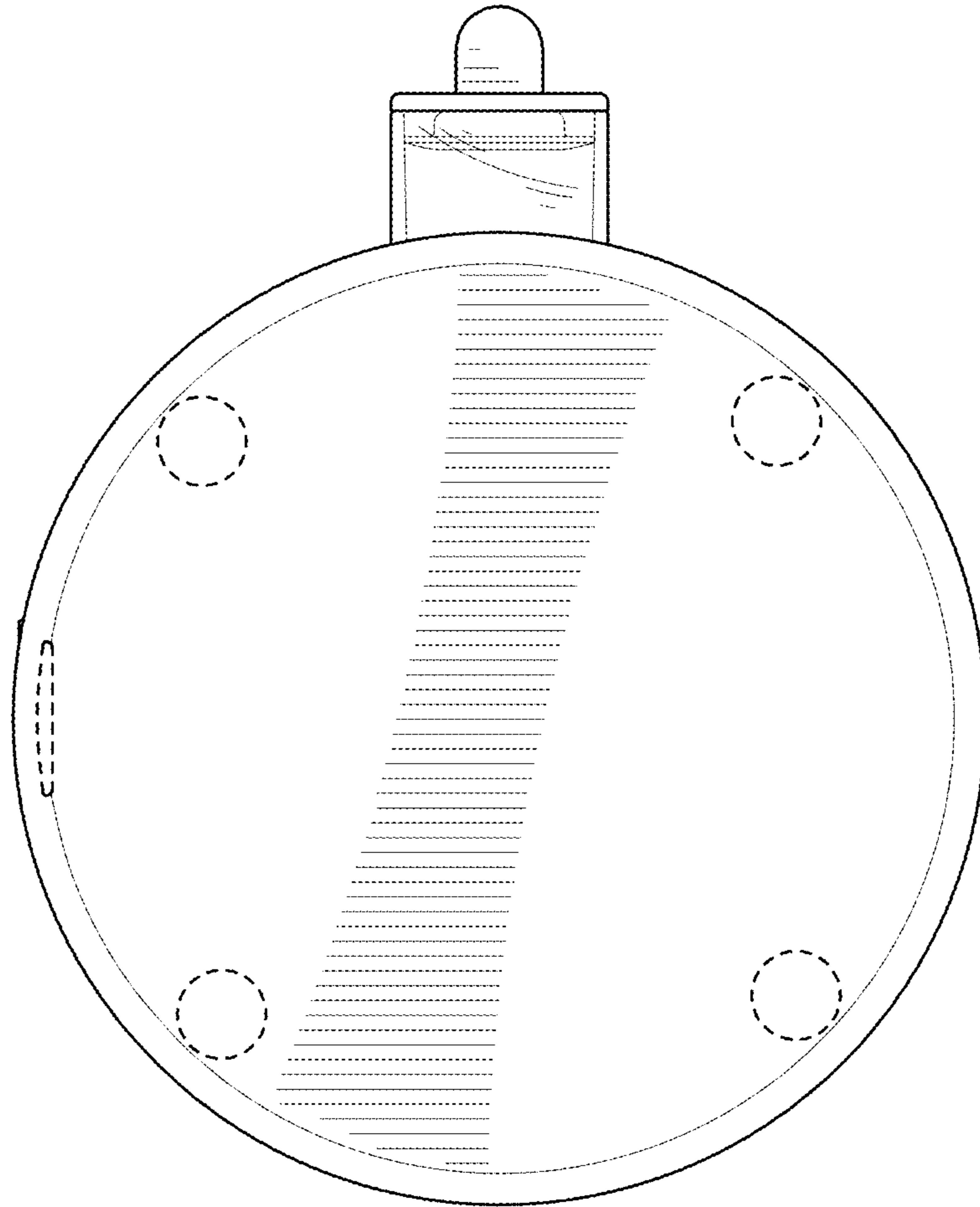


FIG. 7