



US00D970307S

(12) **United States Design Patent** (10) **Patent No.:** **US D970,307 S**  
**Shao** (45) **Date of Patent:** **\*\* Nov. 22, 2022**

(54) **ELECTRIC FILLET KNIFE HANDLE**

(71) Applicant: **Yinhua Shao**, Ningbo (CN)

(72) Inventor: **Yinhua Shao**, Ningbo (CN)

(\*\*) Term: **15 Years**

(21) Appl. No.: **29/831,227**

(22) Filed: **Mar. 18, 2022**

(51) **LOC (13) Cl.** ..... **07-03**

(52) **U.S. Cl.**  
USPC ..... **D7/646**; D7/649

(58) **Field of Classification Search**  
USPC ..... D7/368, 393, 395, 401.2, 642, 646,  
D7/649–652, 669, 688–696; D8/98, 107;  
D22/118  
CPC .... B26B 1/10; B26B 3/00; B26B 3/02; B26B  
3/03; B26B 5/00; B26B 5/007; B26B  
7/00; B26B 7/005; B26B 9/00; B26B  
9/02; B25G 1/102

See application file for complete search history.

(56) **References Cited**

**U.S. PATENT DOCUMENTS**

2,389,882	A	*	11/1945	Wood, Jr.	.....	F41B 13/08
						D7/393
D291,171	S	*	8/1987	Ygfors	.....	D7/649
D347,145	S	*	5/1994	Neshat	.....	D7/649
D388,285	S	*	12/1997	Neshat	.....	D7/649
D421,367	S	*	3/2000	Naft	.....	D7/646
6,341,425	B1	*	1/2002	Kahle	.....	B26B 7/005
						30/142
D492,162	S	*	6/2004	Wong	.....	D7/646
D507,930	S	*	8/2005	Kimbrough	.....	D7/381
D583,196	S	*	12/2008	Thompson	.....	D7/646
D773,887	S		12/2016	Berger		
D780,877	S		3/2017	Goeckel		
D850,196	S	*	6/2019	Rickstrew	.....	D7/649
D861,429	S	*	10/2019	Lin	.....	D7/416
D906,048	S	*	12/2020	Palese	.....	B26B 7/005
						D7/649

**OTHER PUBLICATIONS**

Design No. 307367666, Mar. 4, 2022—China National Intellectual Property Administration (CNIPA) Publication Date—May 27, 2022 Owner—Shao Yinhua, Designer WIPO, available at <https://www3.wipo.int/designdb/en/index.jsp> (Year: 2022).\*  
Best Fillet Knives of 2022, first available Mar. 1, 2022, Outdoor Life, [online], [site visited Sep. 17, 2022], Available from internet URL: <https://www.outdoorlife.com/gear/best-fillet-knives/> (Year: 2022).\*

\* cited by examiner

*Primary Examiner* — Mary Ann Calabrese  
*Assistant Examiner* — Natalya M Rapundalo

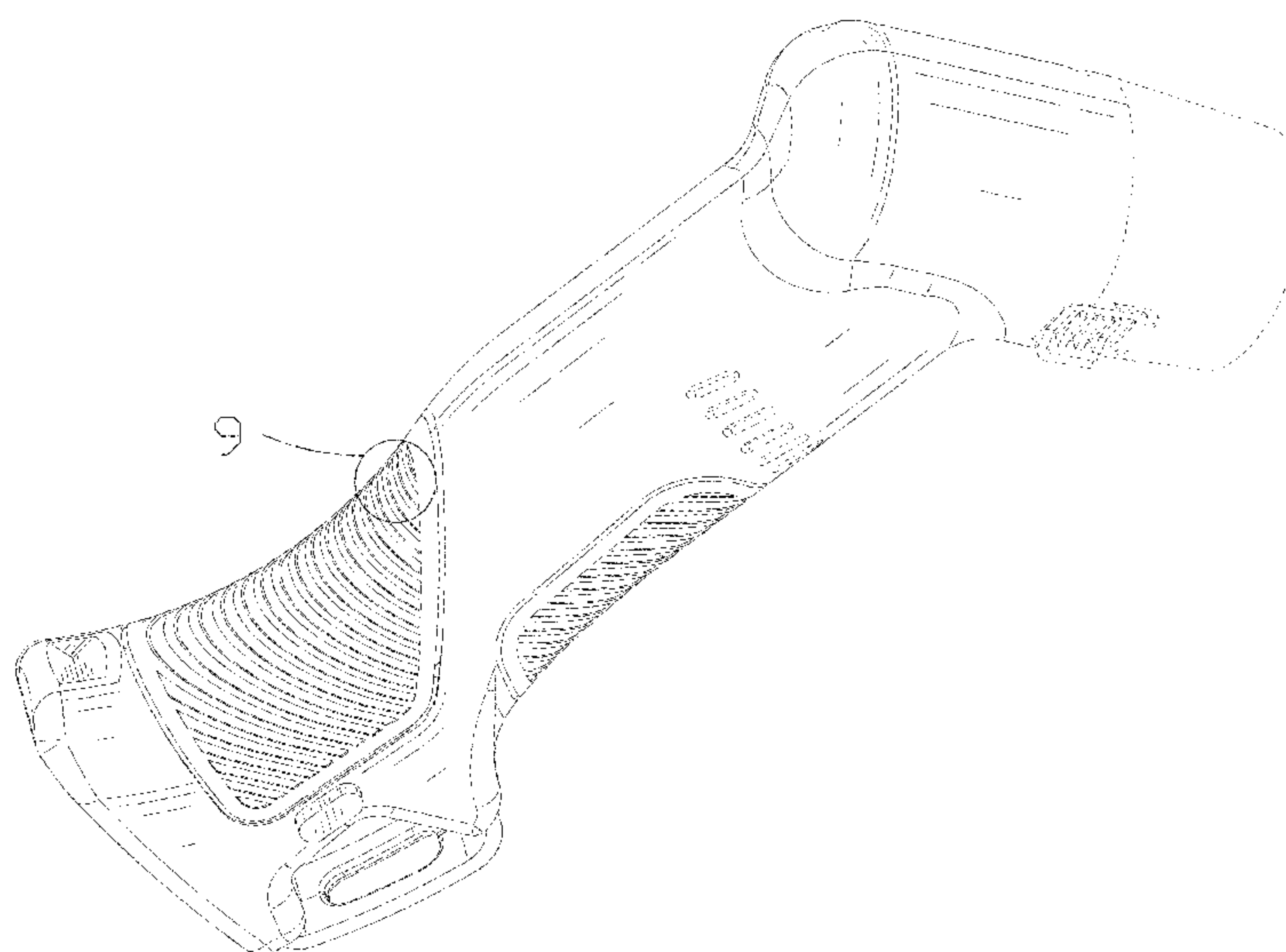
(57) **CLAIM**

The ornamental design for an electric fillet knife handle, as shown and described.

**DESCRIPTION**

FIG. 1 is a bottom rear perspective view of an electric fillet knife handle showing my new design;  
FIG. 2 is a top front perspective view thereof;  
FIG. 3 is a front elevational view thereof;  
FIG. 4 is a rear elevational view thereof;  
FIG. 5 is a left side elevational view thereof;  
FIG. 6 is a right side elevational view thereof;  
FIG. 7 is a top plan view thereof;  
FIG. 8 is a bottom plan view thereof;  
FIG. 9 is an enlarged view of portion 9 shown in FIG. 1; and,  
FIG. 10 is an enlarged view of portion 10 shown in FIG. 2.  
The dash-dash broken lines in the drawings depict portions of the electric fillet knife handle that form no part of the claimed design. The dot-dash broken lines represent boundaries of the enlarged portions and form no part of the claimed design.

**1 Claim, 10 Drawing Sheets**



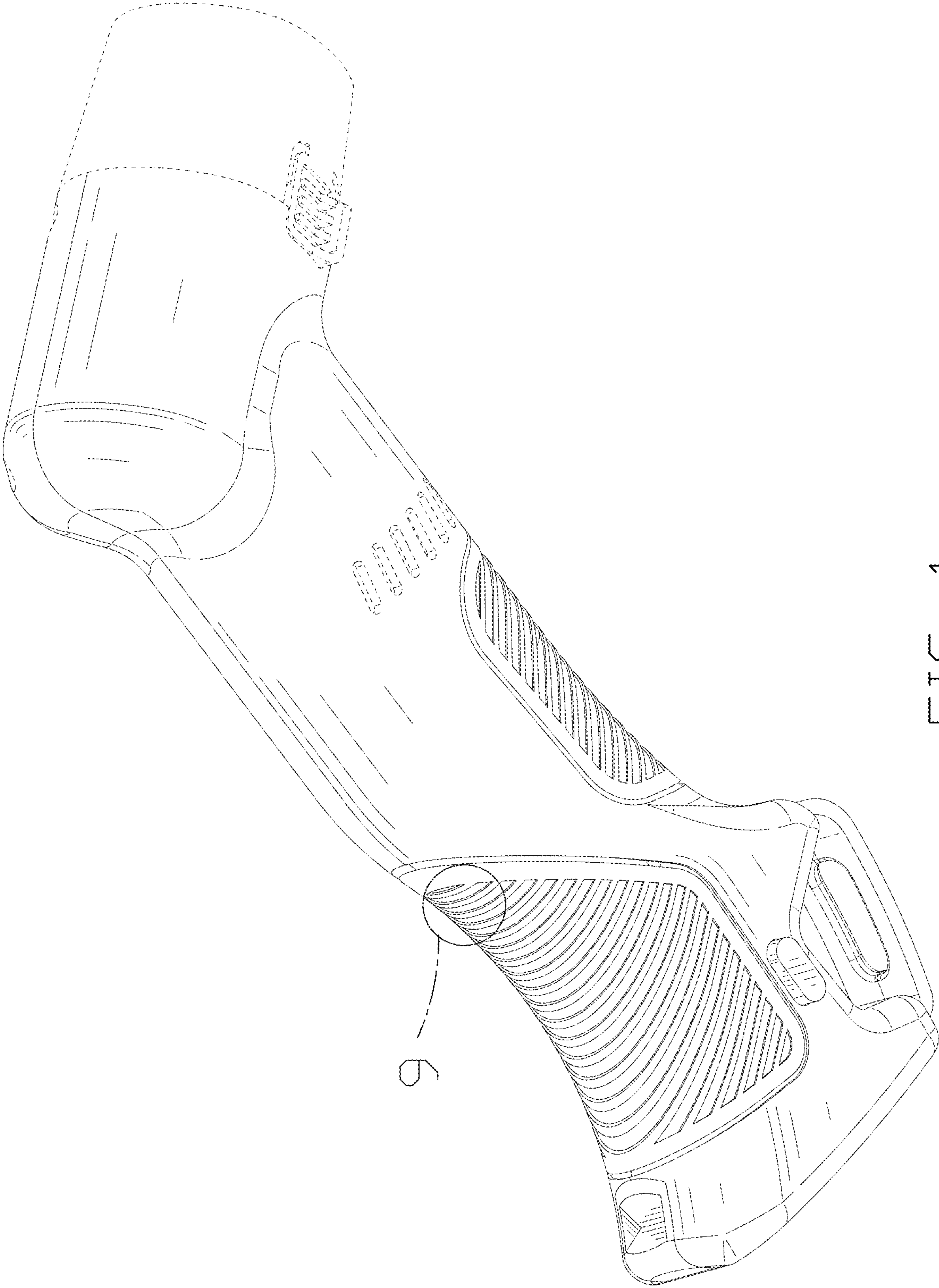


FIG. 1

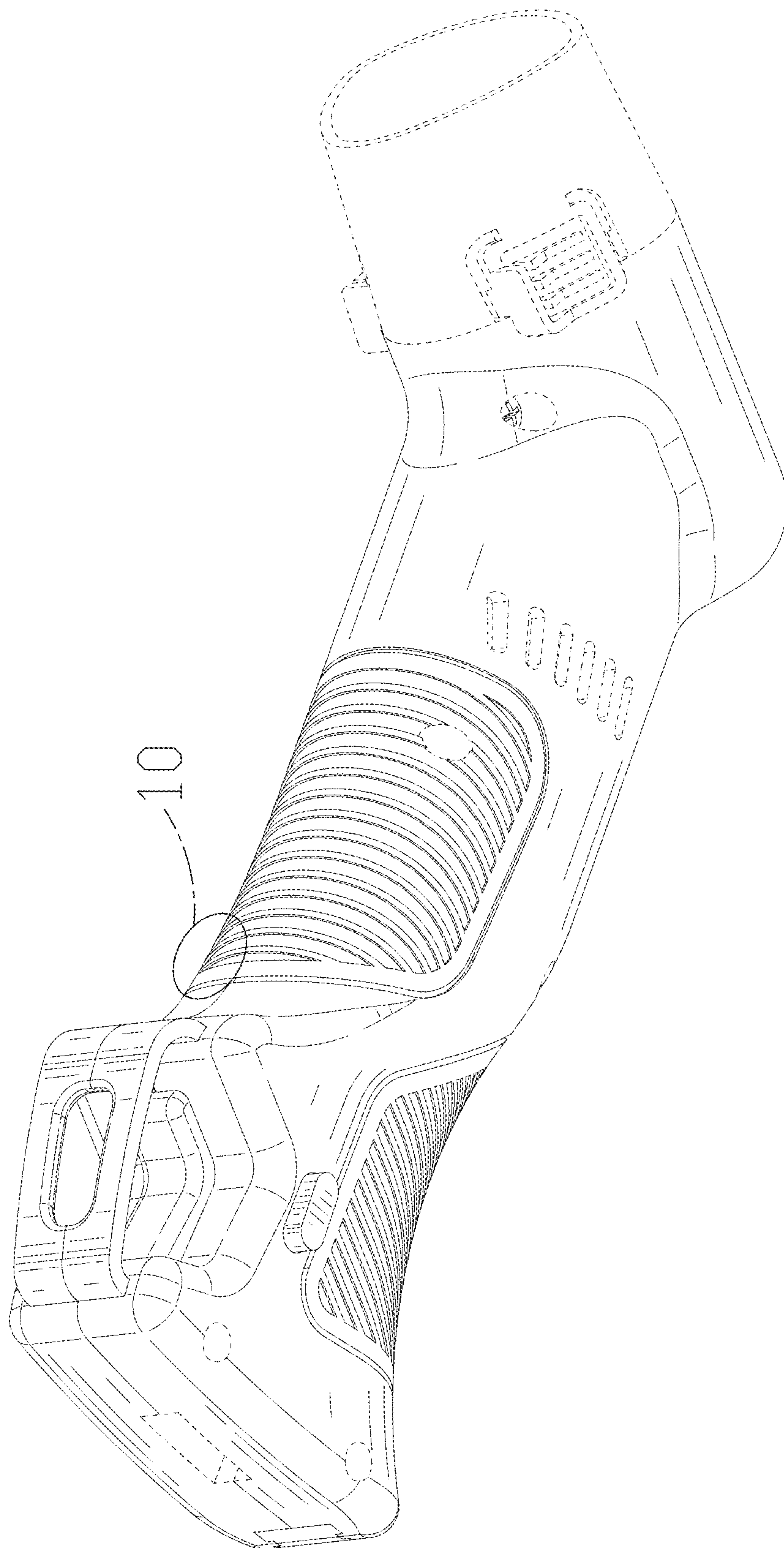


FIG. 2



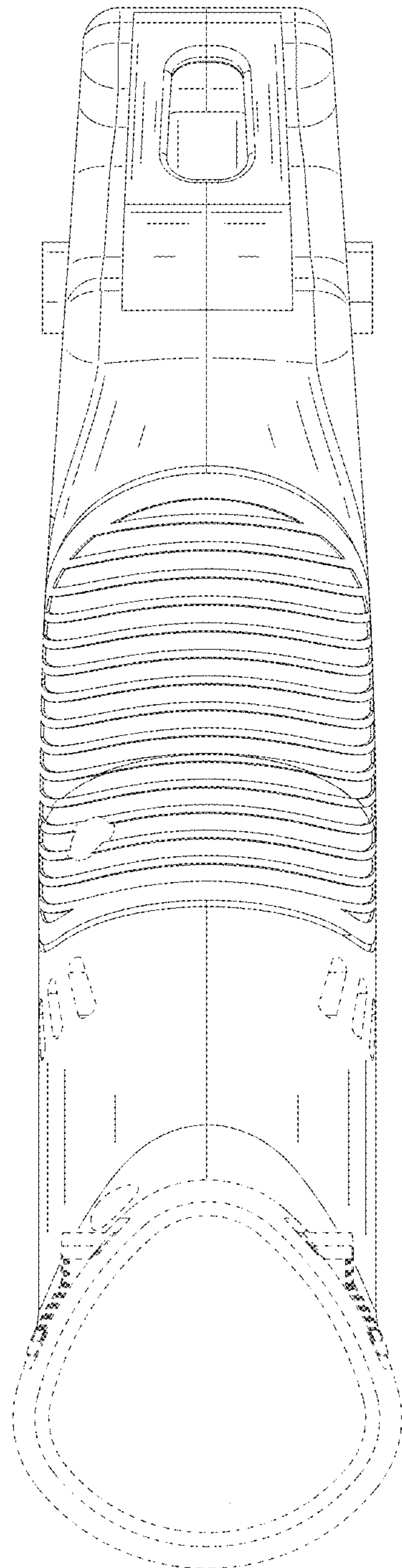


FIG. 3

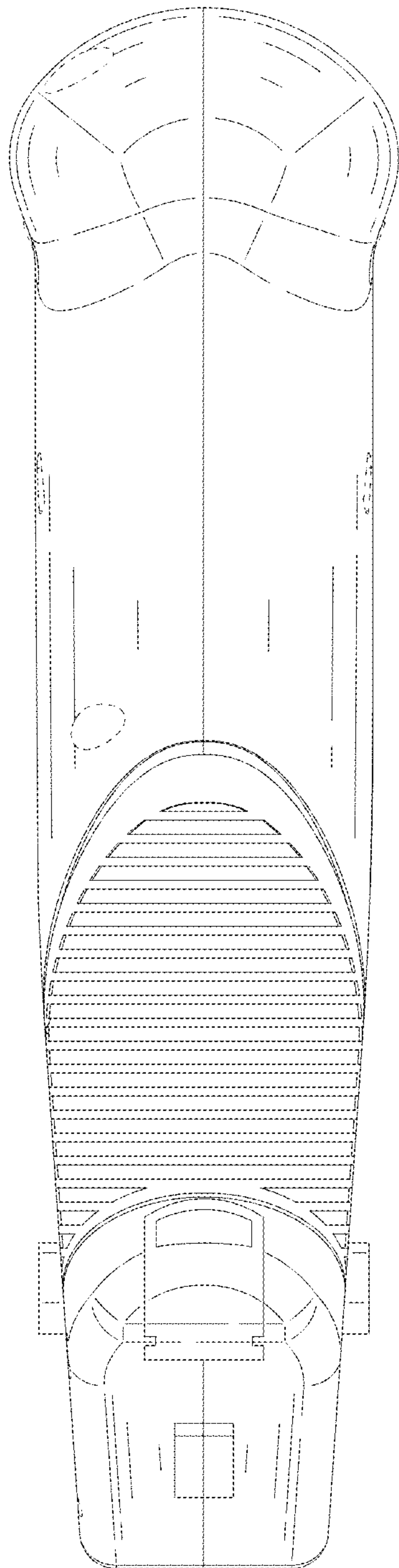


FIG. 4

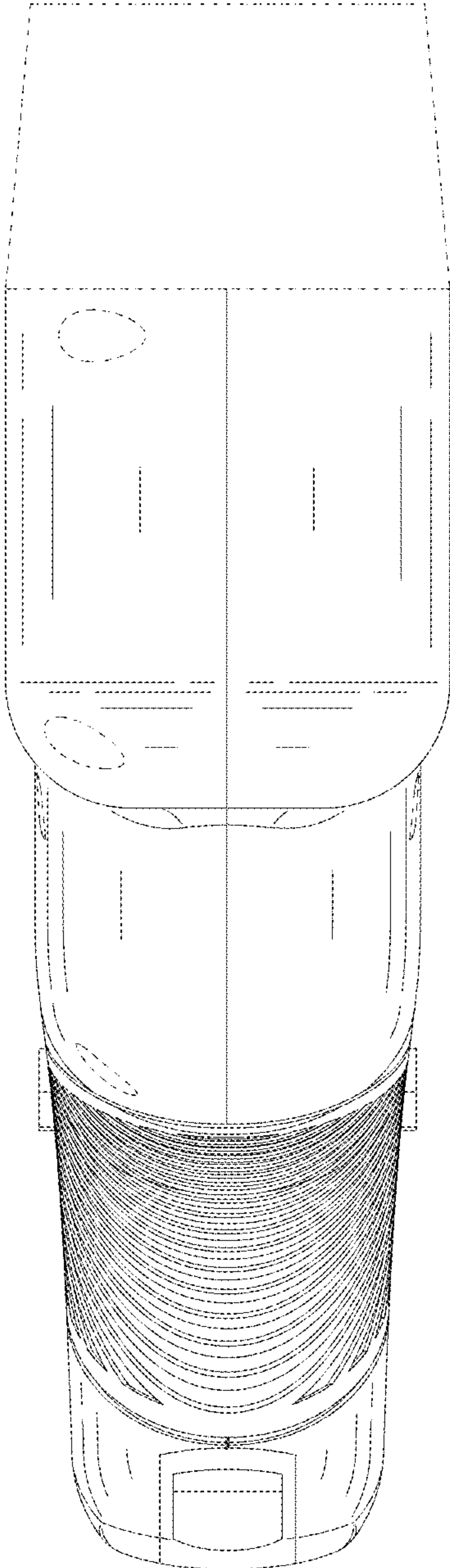


FIG. 5

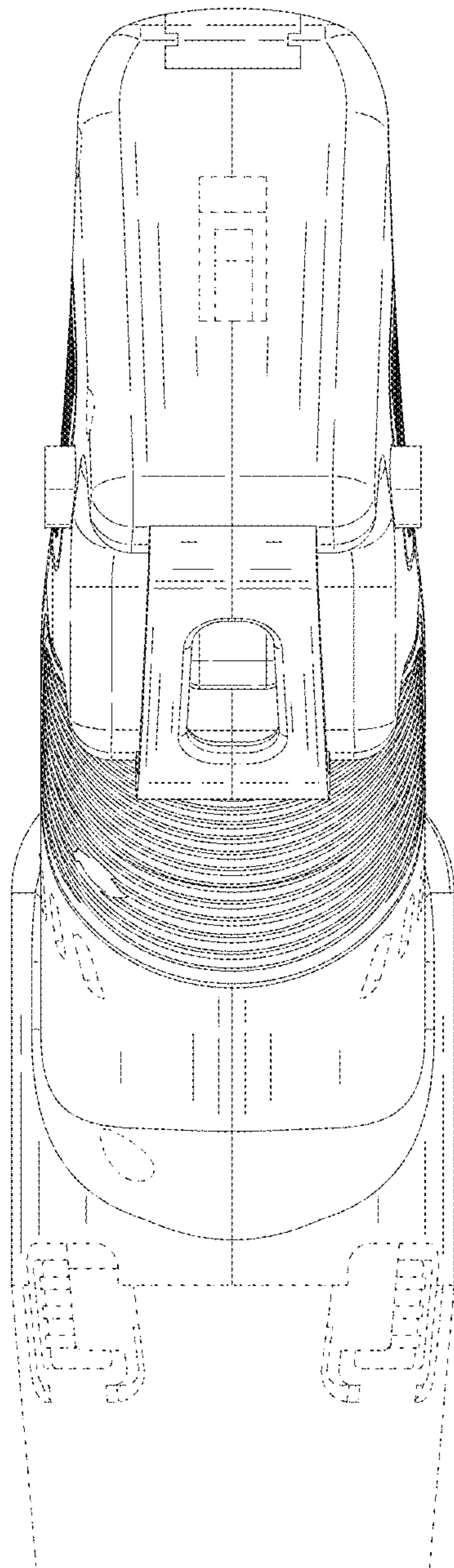


FIG. 6

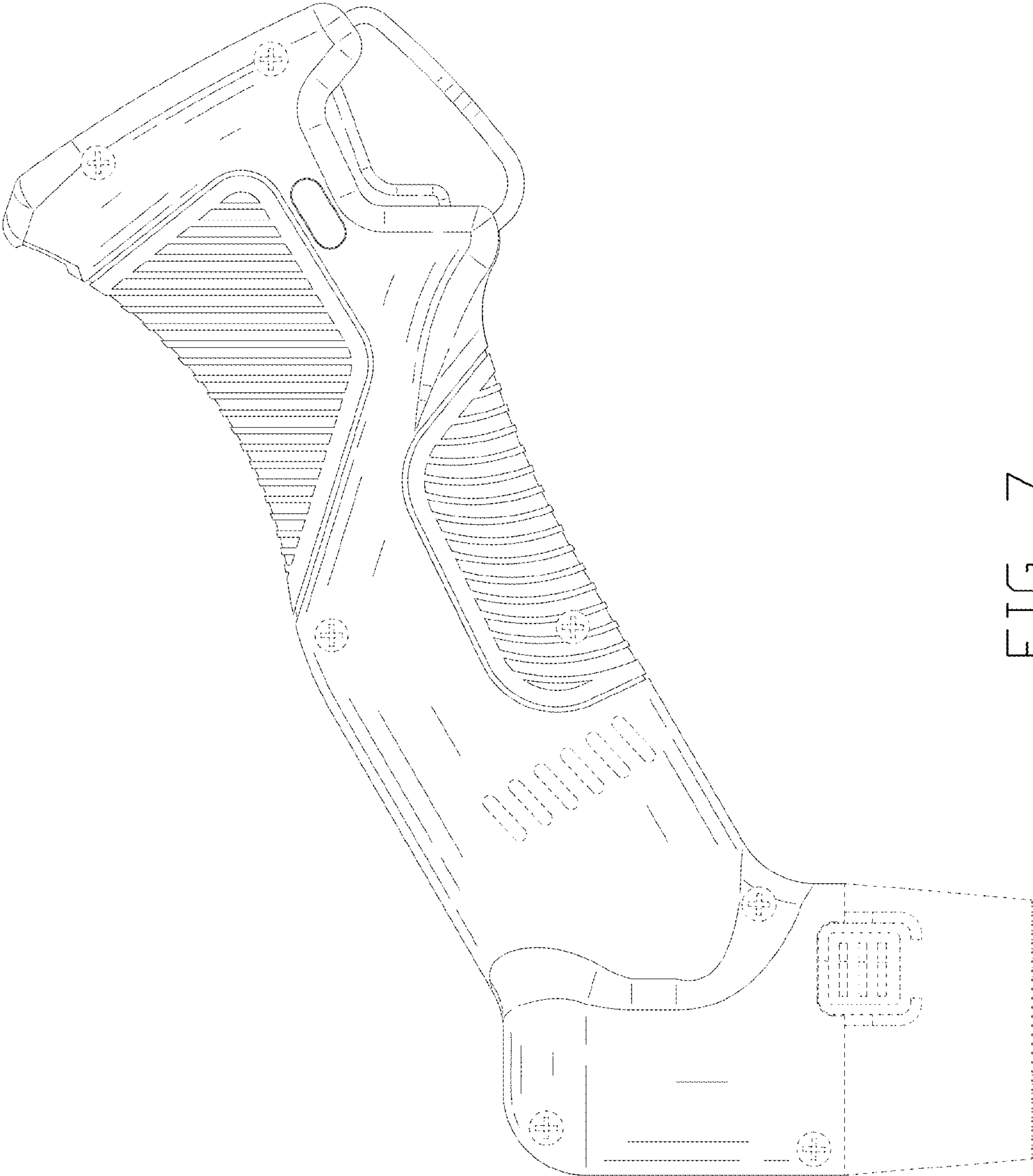


FIG. 7



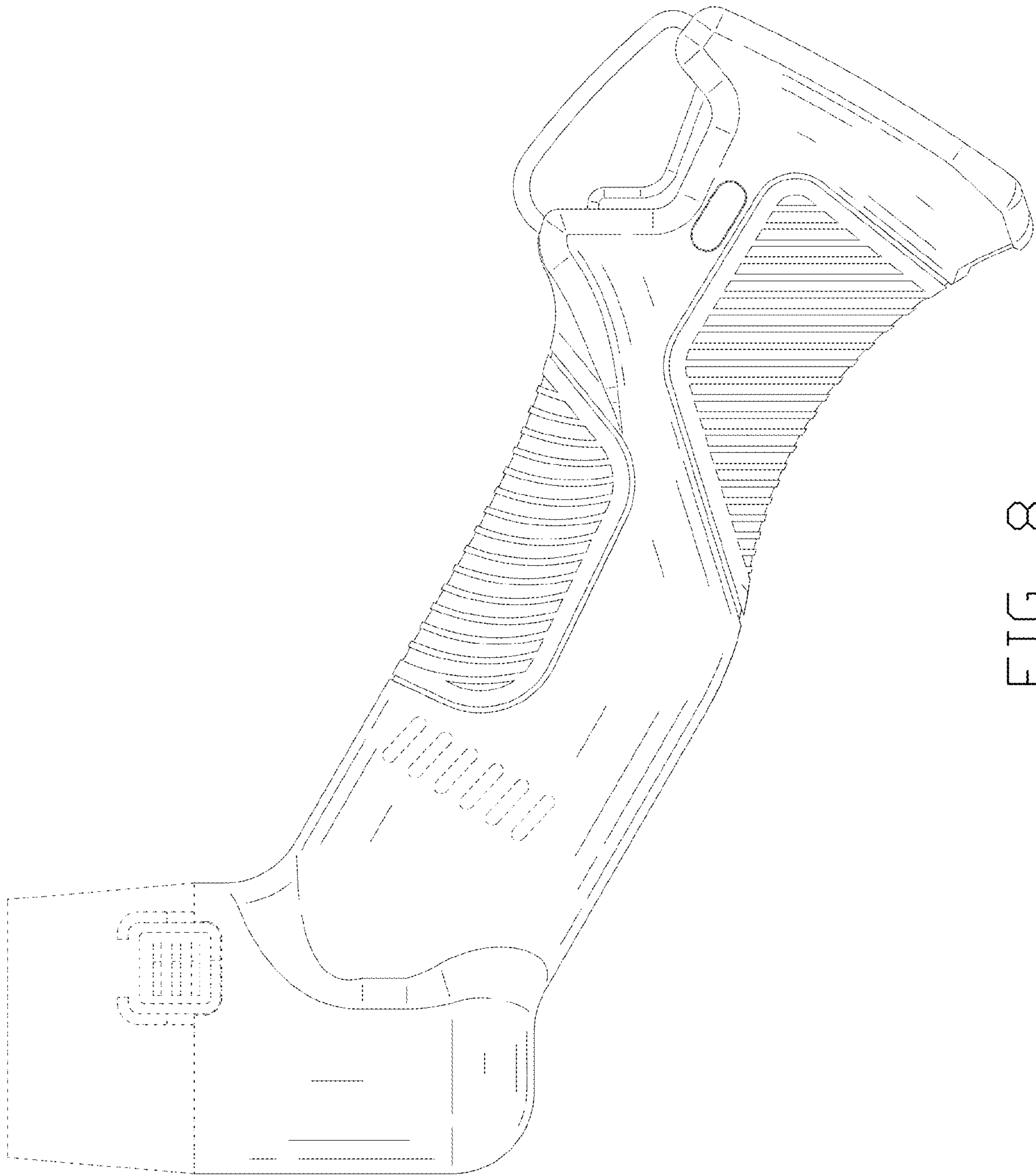


FIG. 8

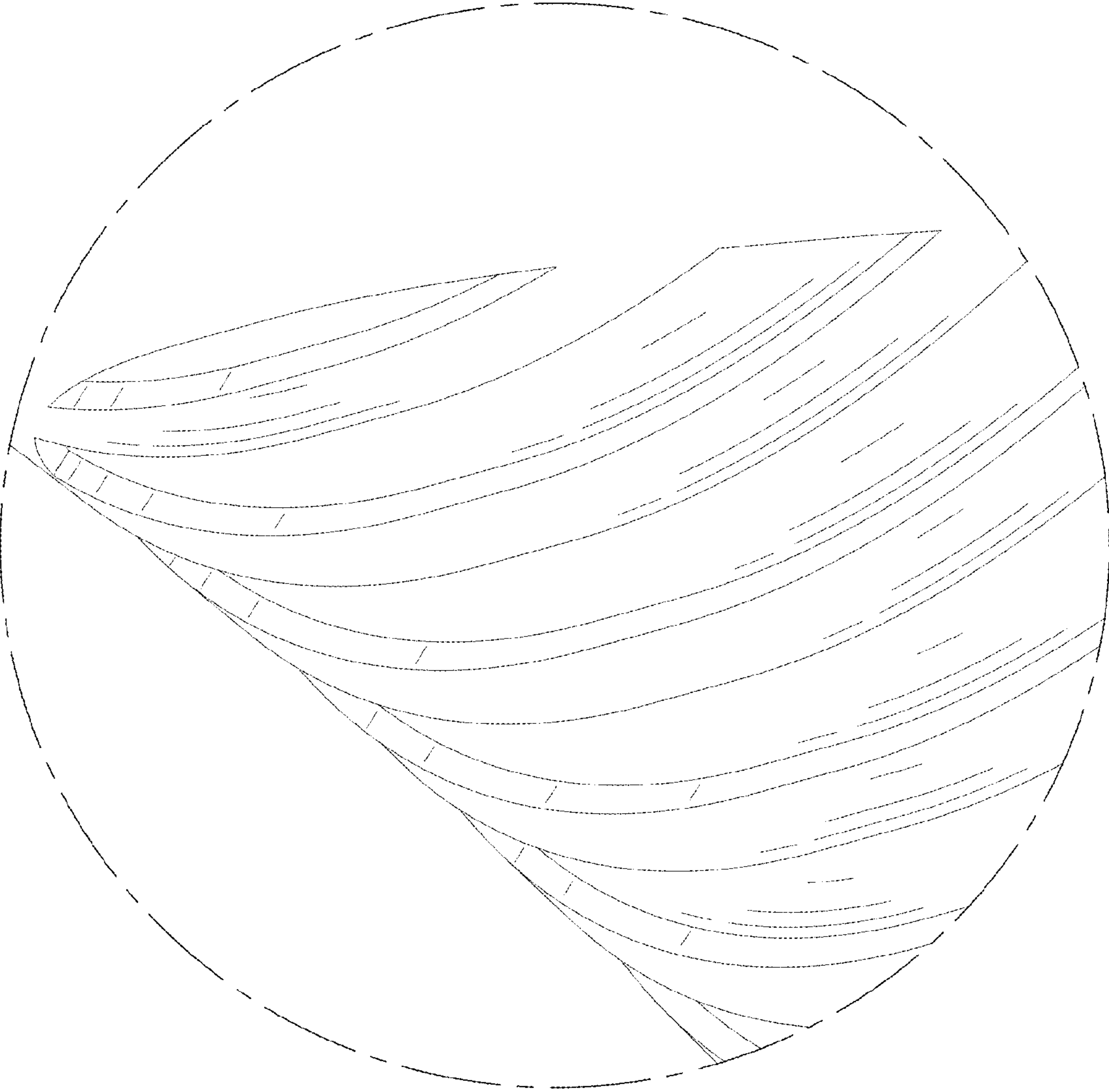


FIG. 9

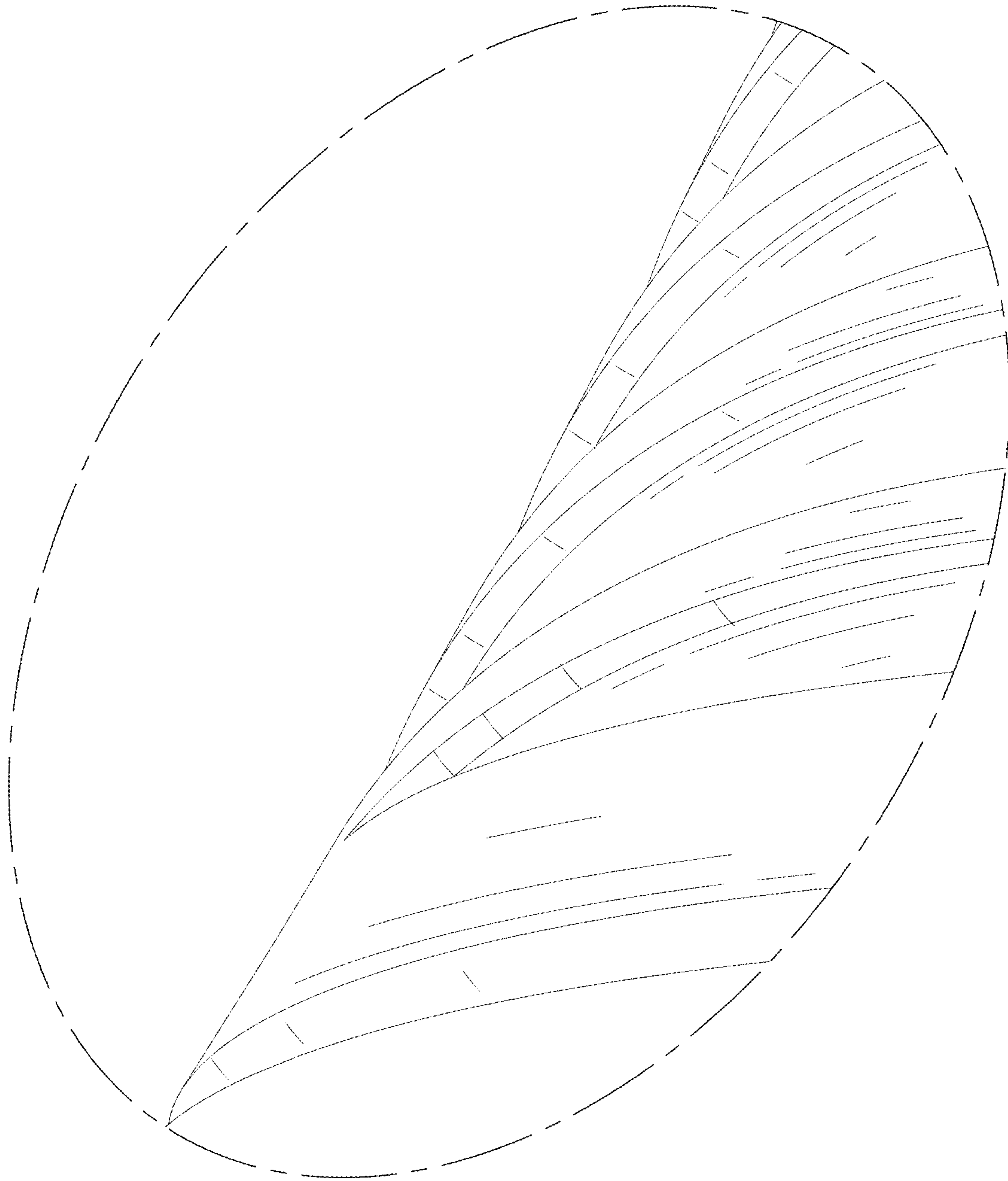


FIG. 10