



US00D970305S

(12) **United States Design Patent**
Zhang

(10) **Patent No.:** **US D970,305 S**

(45) **Date of Patent:** **** Nov. 22, 2022**

(54) **KNIFE HOLDER**

(71) Applicant: **Siduo Zhang**, Guangdong (CN)

(72) Inventor: **Siduo Zhang**, Guangdong (CN)

(73) Assignee: **GUANGZHOU BAOMEI NETWORK TECHNOLOGY CO., LTD.**, Guangzhou (CN)

(**) Term: **15 Years**

(21) Appl. No.: **29/776,434**

(22) Filed: **Mar. 30, 2021**

(51) **LOC (13) Cl.** **07-99**

(52) **U.S. Cl.**
USPC **D7/637**

(58) **Field of Classification Search**
USPC D3/304, 306, 316; D6/566, 567, 573, D6/574; D7/631, 637-641; D19/75, 81, D19/83-86, 90, 92
CPC A47B 88/00; A47G 21/14; A47G 21/16; A47G 21/184; A47G 23/06; A47G 29/087; A47J 45/02; A47J 47/16; B65D 1/34; B65D 1/36
See application file for complete search history.

(56) **References Cited**

U.S. PATENT DOCUMENTS

D350,671 S * 9/1994 Asner D7/504
D507,156 S * 7/2005 Heiberg D7/631

D515,881 S * 2/2006 Berger D7/631
D526,858 S * 8/2006 Goodman D7/631
D791,267 S 7/2017 Bloch
D816,430 S 5/2018 Sharon
D846,953 S * 4/2019 O'Halloran D7/631
D863,066 S 10/2019 Fraser
D876,277 S * 2/2020 Hayes D11/137
D926,533 S * 8/2021 Stefani D7/631

* cited by examiner

Primary Examiner — Janice Patyk

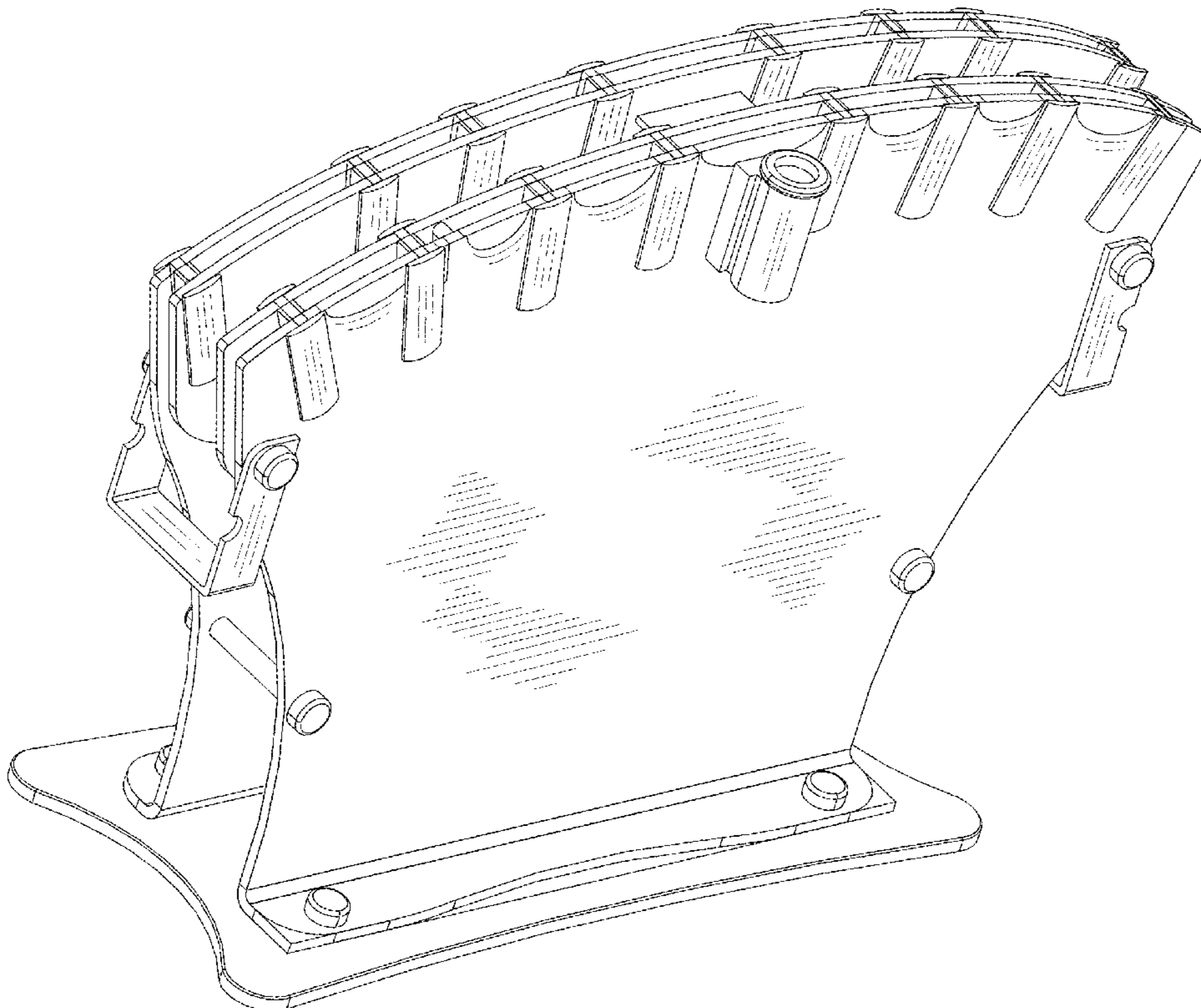
(57) **CLAIM**

The ornamental design for a knife holder, as shown and described.

DESCRIPTION

FIG. 1 is a top, rear, right side perspective view of a knife holder showing my new design;
FIG. 2 is a bottom, rear, left side perspective view thereof;
FIG. 3 is an enlarged front elevation view thereof;
FIG. 4 is an enlarged rear elevation view thereof;
FIG. 5 is a left side elevation view thereof;
FIG. 6 is a right side elevation view thereof;
FIG. 7 is an enlarged top plan view thereof; and,
FIG. 8 is an enlarged bottom plan view thereof.

1 Claim, 8 Drawing Sheets



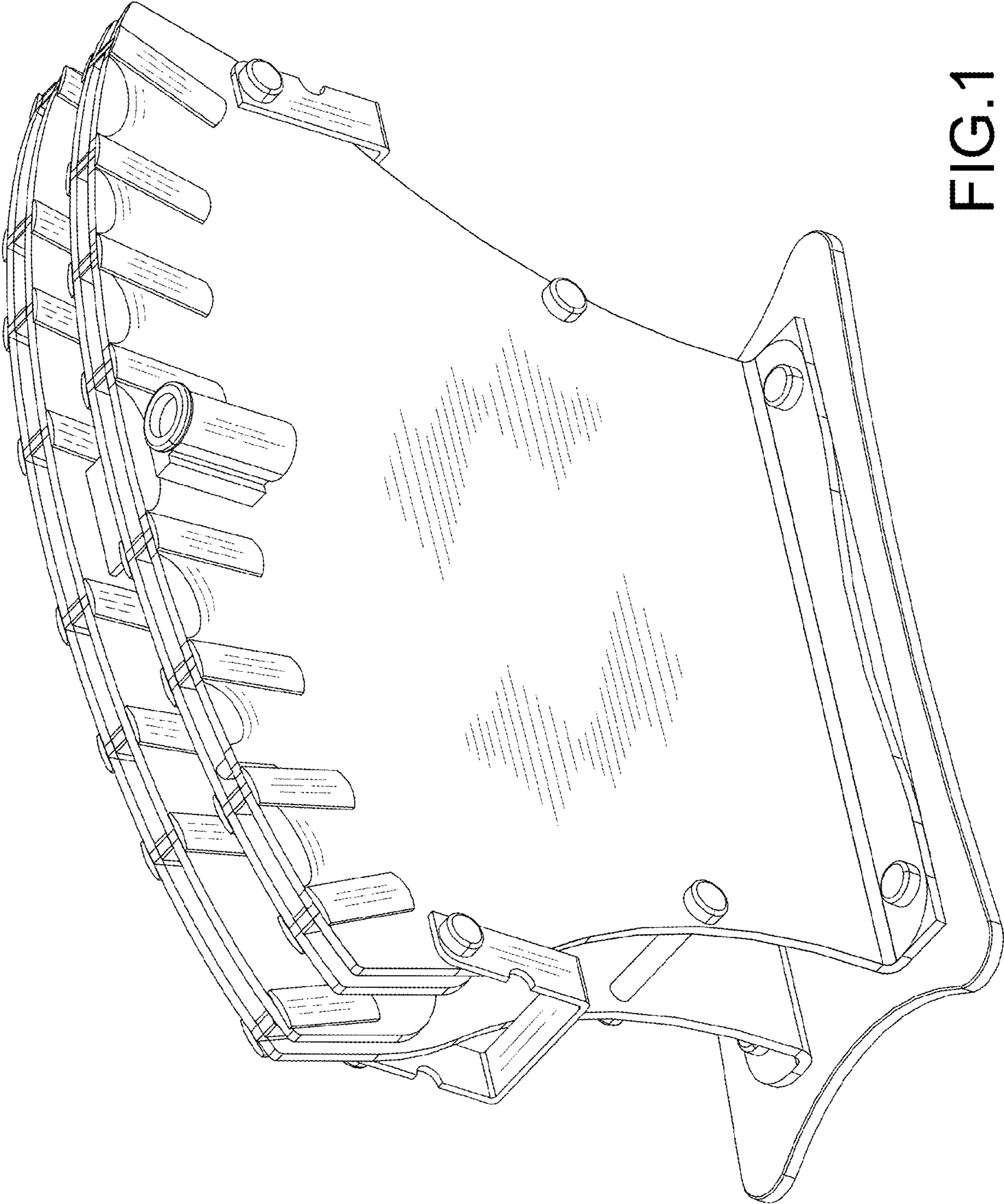


FIG.1

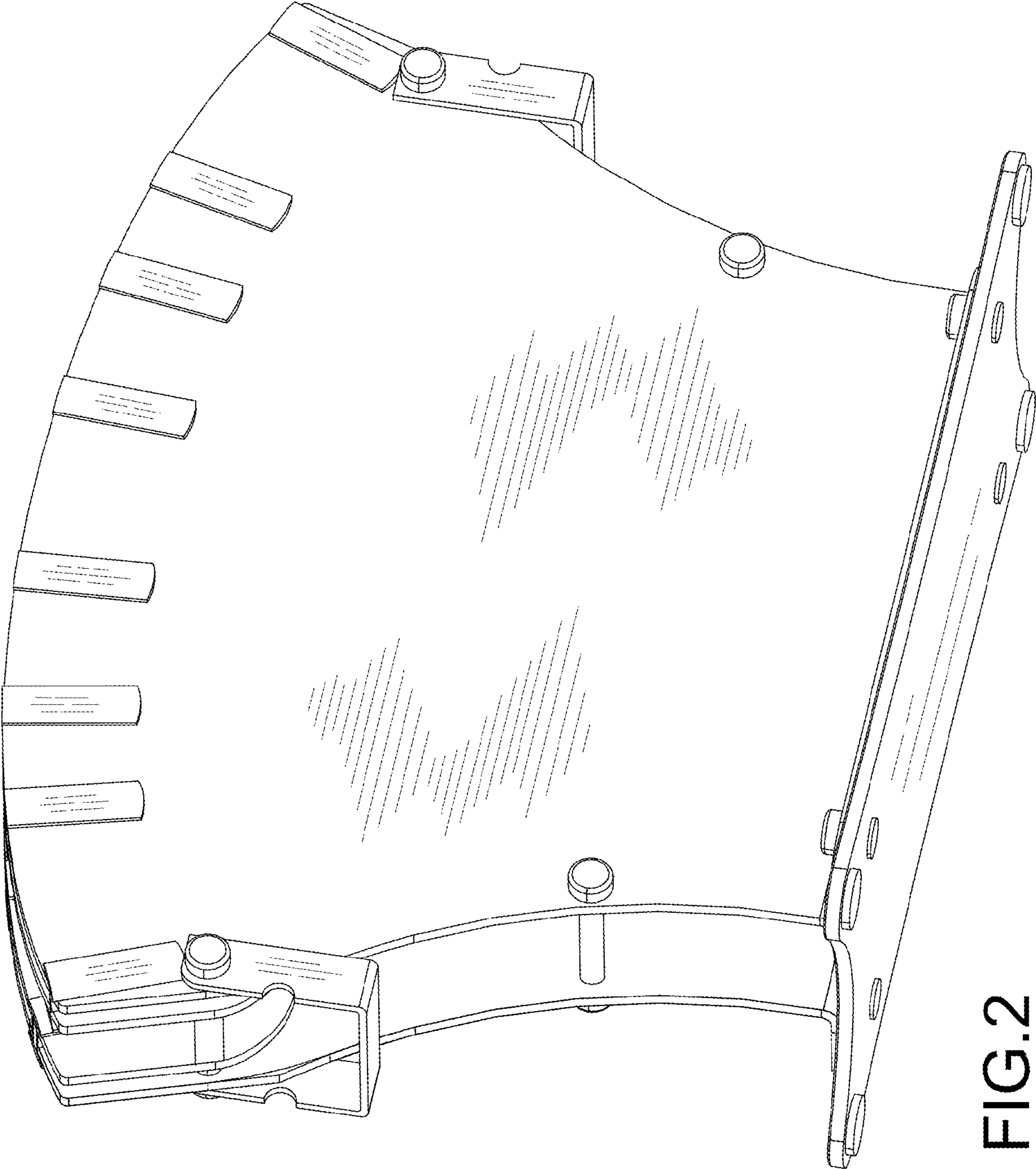


FIG.2

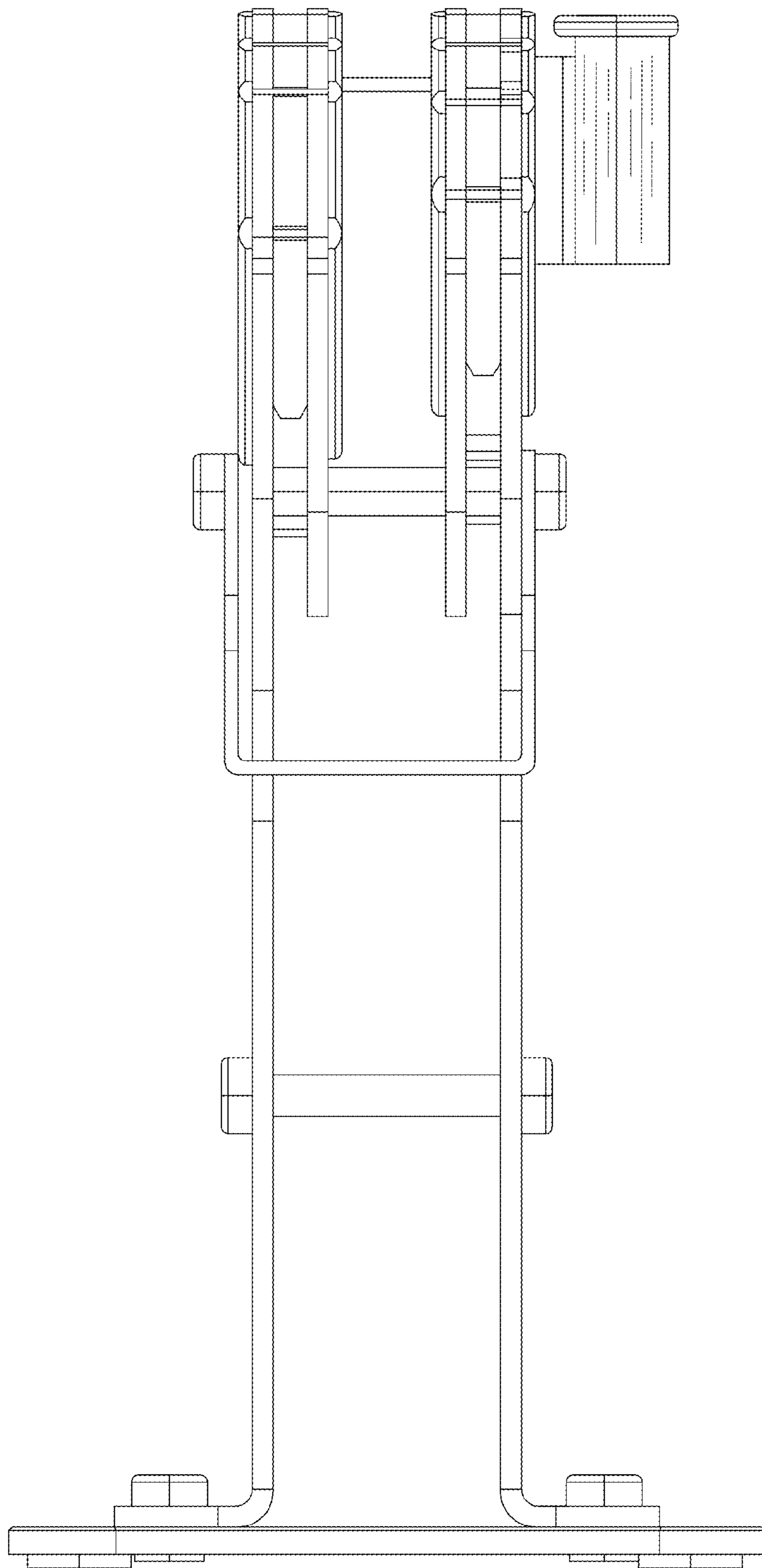


FIG.3

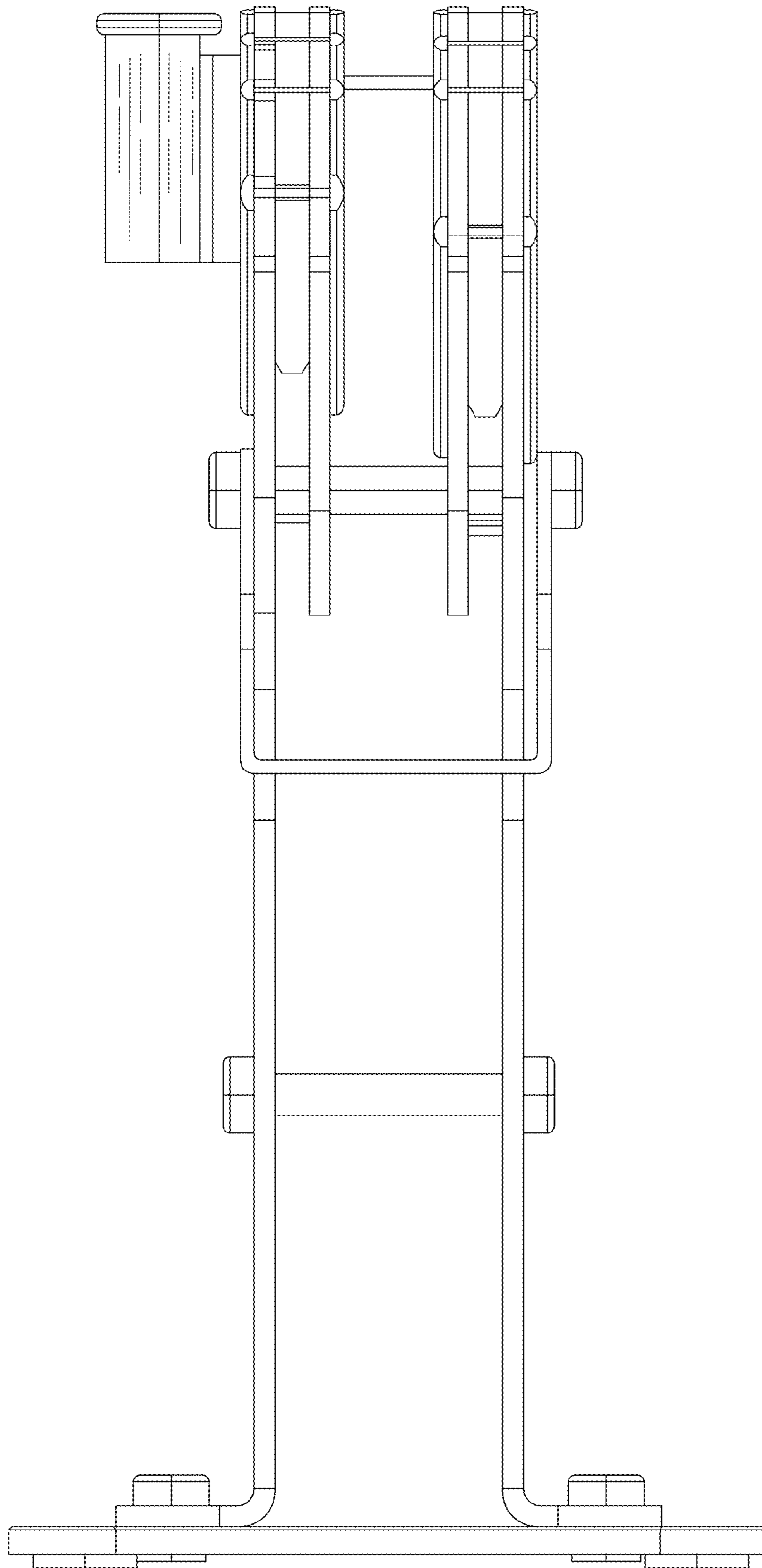


FIG.4

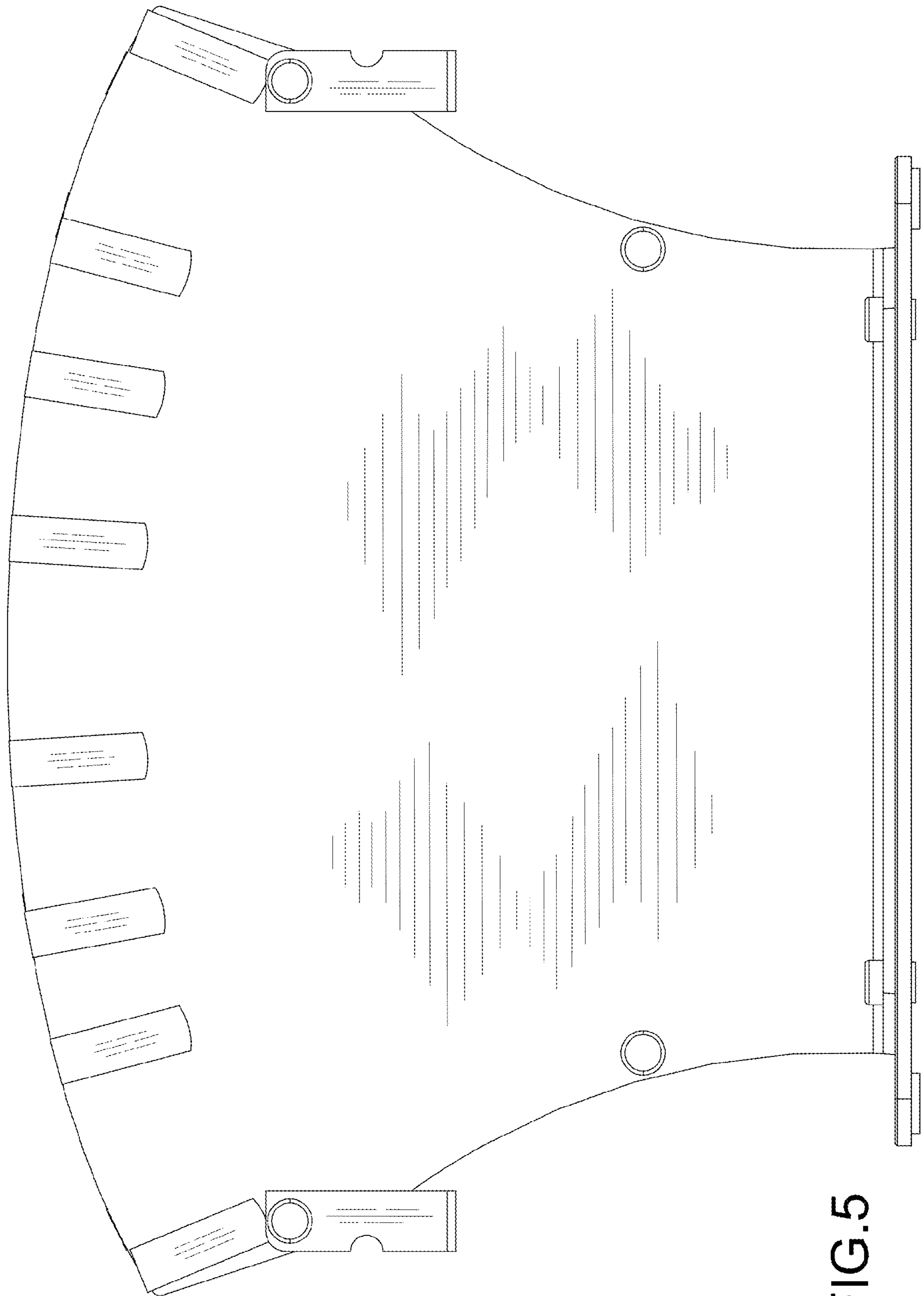


FIG.5

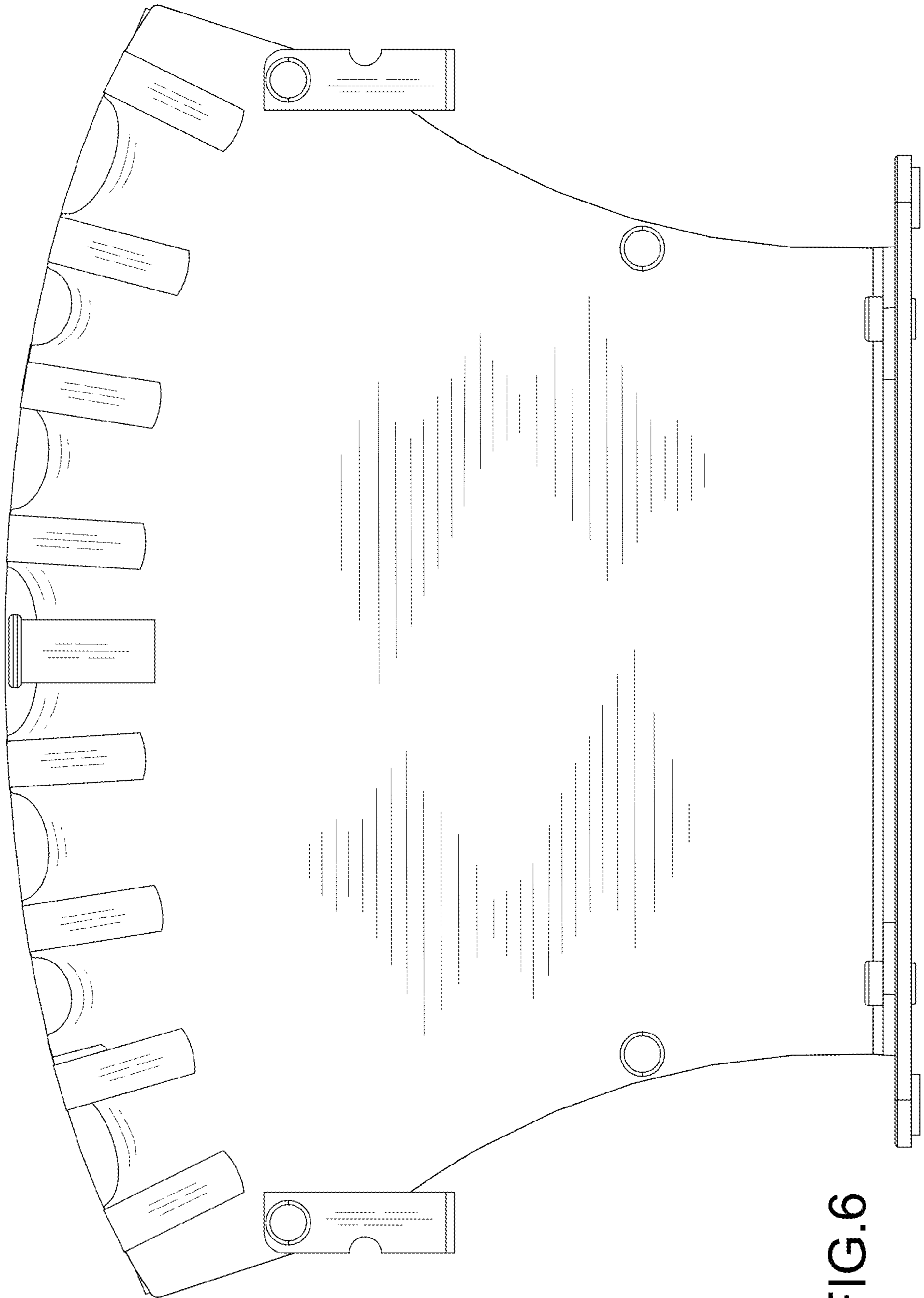


FIG.6

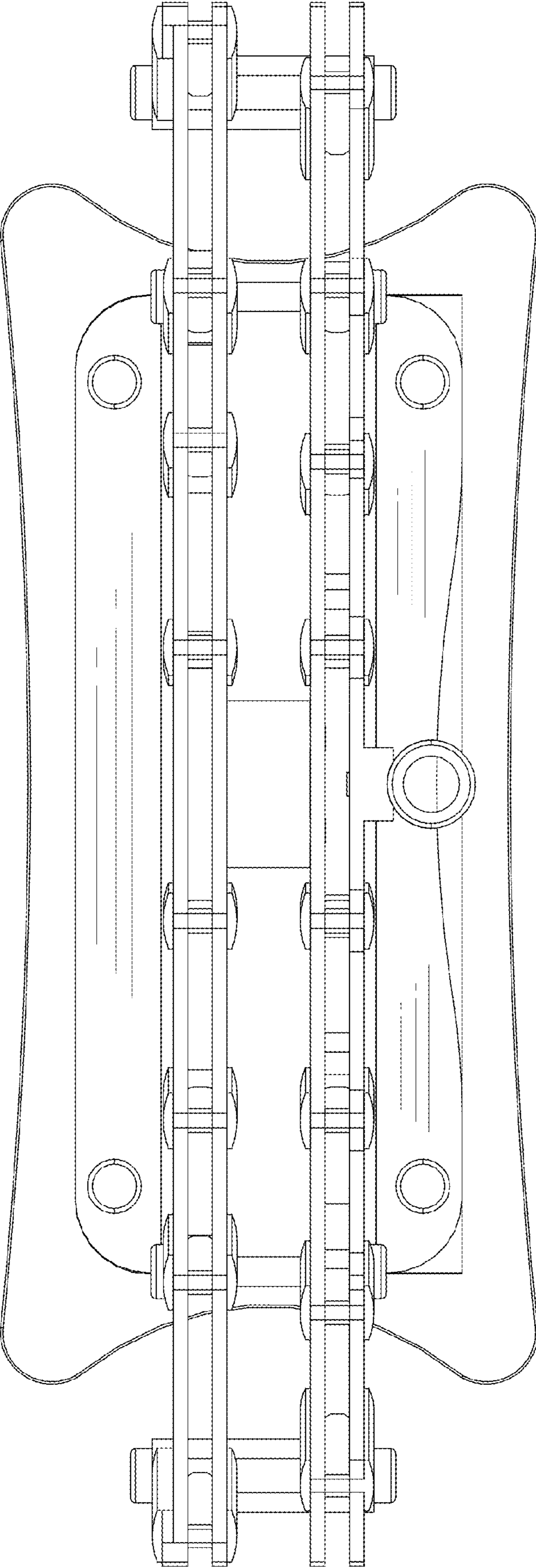


FIG.7

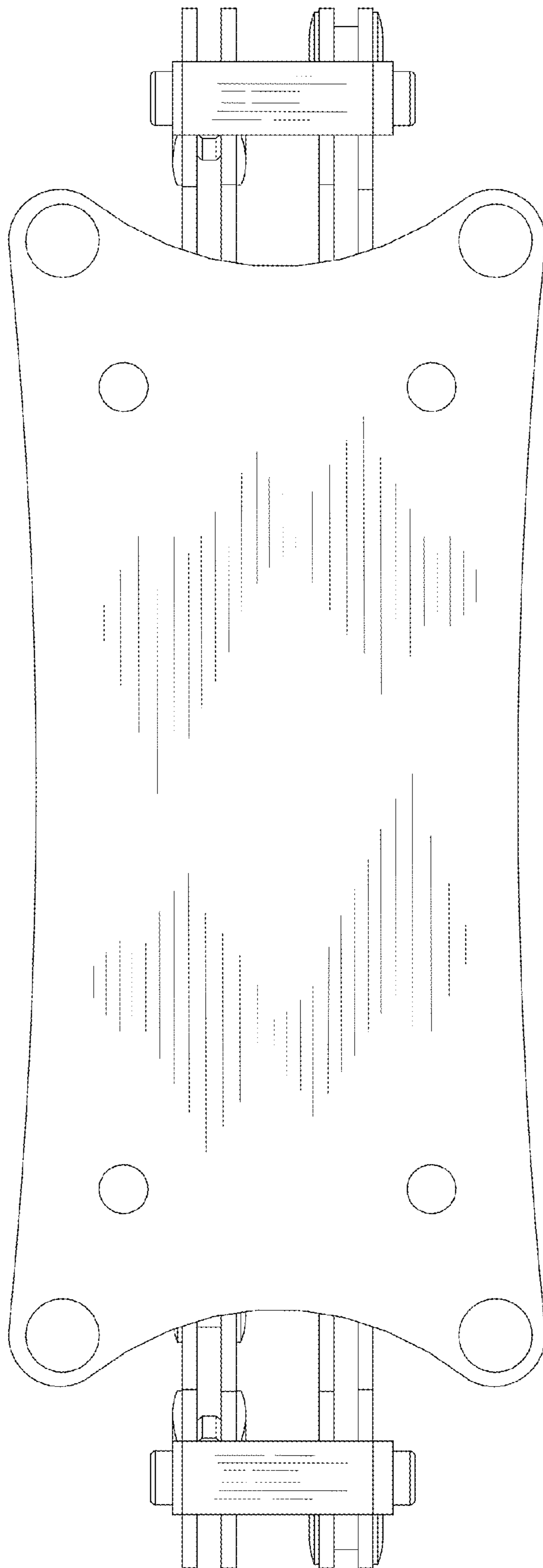


FIG.8