



US00D970303S

(12) **United States Design Patent**
Iverson

(10) **Patent No.:** **US D970,303 S**

(45) **Date of Patent:** **** Nov. 22, 2022**

(54) **HOLDER FOR FLUID CONTAINER**

(71) Applicant: **MACNEIL IP LLC**, Bolingbrook, IL (US)

(72) Inventor: **David S. Iverson**, Oak Brook, IL (US)

(73) Assignee: **MACNEIL IP LLC**, Bolingbrook, IL (US)

(**) Term: **15 Years**

(21) Appl. No.: **29/760,716**

(22) Filed: **Dec. 3, 2020**

(51) **LOC (13) Cl.** **07-09**

(52) **U.S. Cl.**
USPC **D7/620**

(58) **Field of Classification Search**
USPC D3/202, 215, 229; D7/387, 602, 608, D7/619.1, 620, 624.2, 622, 701, 708.1; D9/434, 455; D24/128, 197, 199, 227
CPC A45F 2200/0583; A45F 5/00; A45F 5/021; A45F 5/102; A45F 2005/008; A45F 2200/0516; A47G 23/02; A47G 23/0208; A47G 23/0266; A47G 19/06
See application file for complete search history.

D355,336 S *	2/1995	Dickey	D7/620
D364,539 S *	11/1995	Dickey	D7/620
D376,072 S *	12/1996	Joergensen	D7/620
D391,452 S *	3/1998	Huebert	D7/620
D399,707 S *	10/1998	Villarreal, Jr.	D7/624.2
D408,991 S *	5/1999	Perez	D3/229
D423,884 S *	5/2000	Greenwood	D7/620
D446,698 S *	8/2001	Thomas	D12/419
D453,095 S *	1/2002	Bailey	D7/620
D473,760 S *	4/2003	Perez	D7/620
D604,564 S *	11/2009	Walter	D7/620
D727,112 S *	4/2015	Henry	D7/620
D825,282 S *	8/2018	Marshall	D7/620
D826,001 S *	8/2018	Marshall	D7/620
10,575,625 B2 *	3/2020	Senn	A45F 5/021
D889,211 S *	7/2020	Cox	D7/620
11,234,545 B2 *	2/2022	Cox	A61G 9/006
D944,717 S *	3/2022	Iverson	D12/419
2022/0110438 A1 *	4/2022	Iverson	A45F 5/021

* cited by examiner

Primary Examiner — Joseph Kukella
Assistant Examiner — Darryl J Dardenne
(74) *Attorney, Agent, or Firm* — Perkins IP Law Group LLC; Jefferson Perkins

(57) **CLAIM**

I claim the ornamental design for a holder for fluid container, as shown and described.

(56) **References Cited**

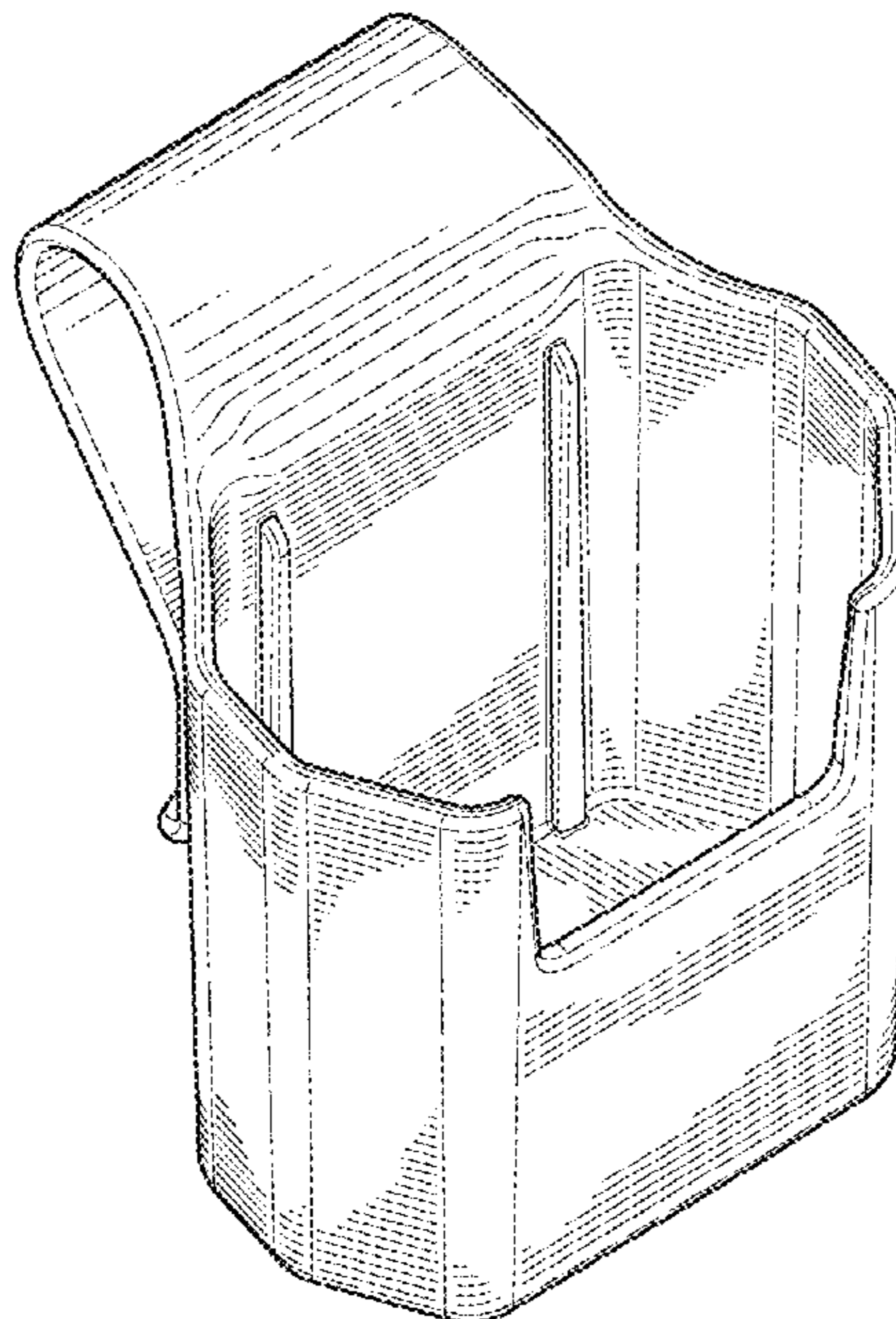
U.S. PATENT DOCUMENTS

3,698,675 A *	10/1972	Lerew	A47K 1/09
				211/75
D251,174 S *	2/1979	Biever	D7/620
D251,229 S *	3/1979	Wooters	A61G 9/006
				D12/420
D295,709 S *	5/1988	Evans	D9/455
D326,173 S *	5/1992	Newbold	A47K 1/09
				D34/1
D353,082 S *	12/1994	Keven	D12/420

DESCRIPTION

FIG. 1 is a perspective view of my design;
FIG. 2 is a front view thereof;
FIG. 3 is a left side view thereof an opposite side view being a mirror image of the view shown;
FIG. 4 is a back view thereof;
FIG. 5 is a top view thereof; and,
FIG. 6 is a bottom view thereof.

1 Claim, 3 Drawing Sheets



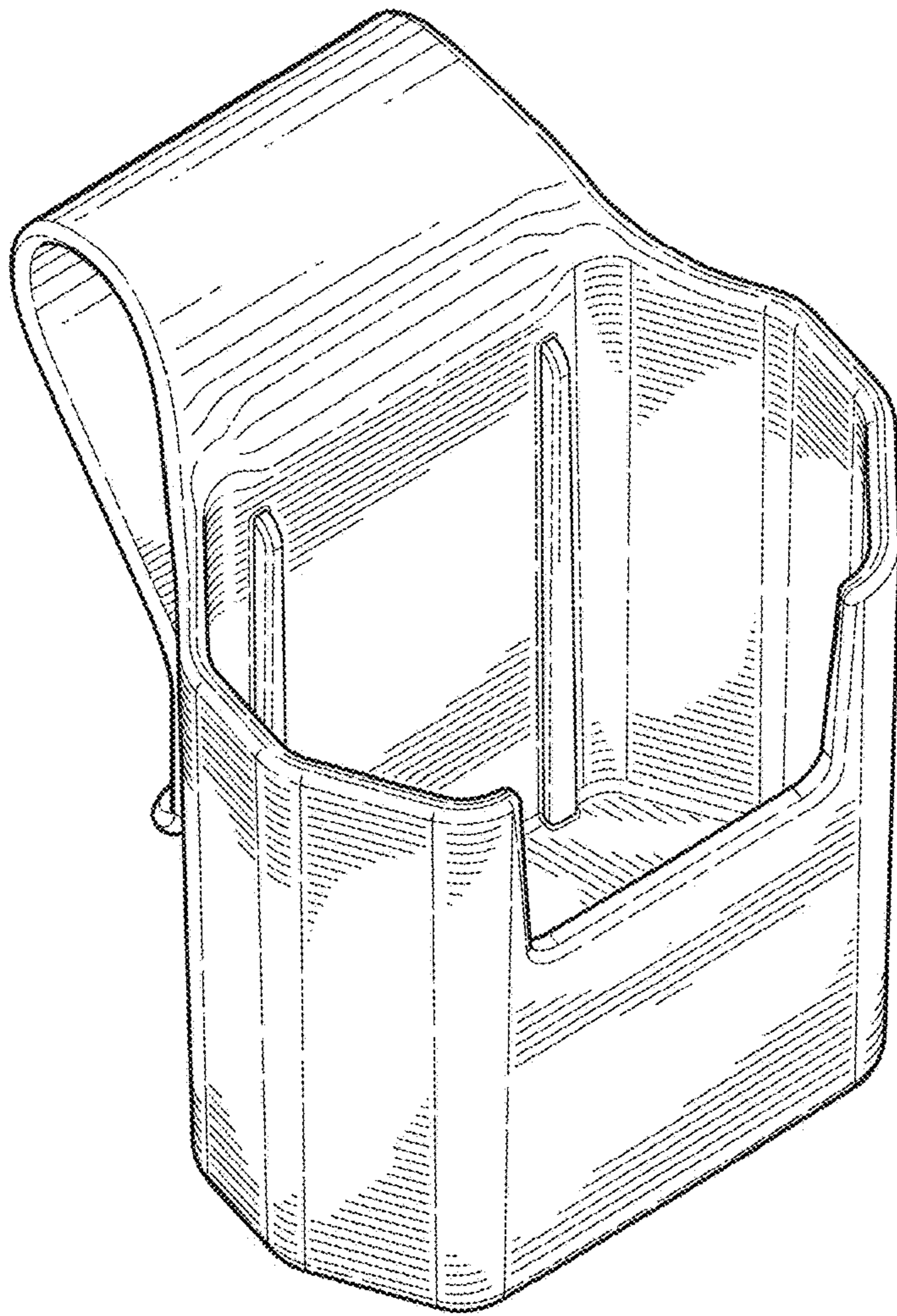


FIG. 1

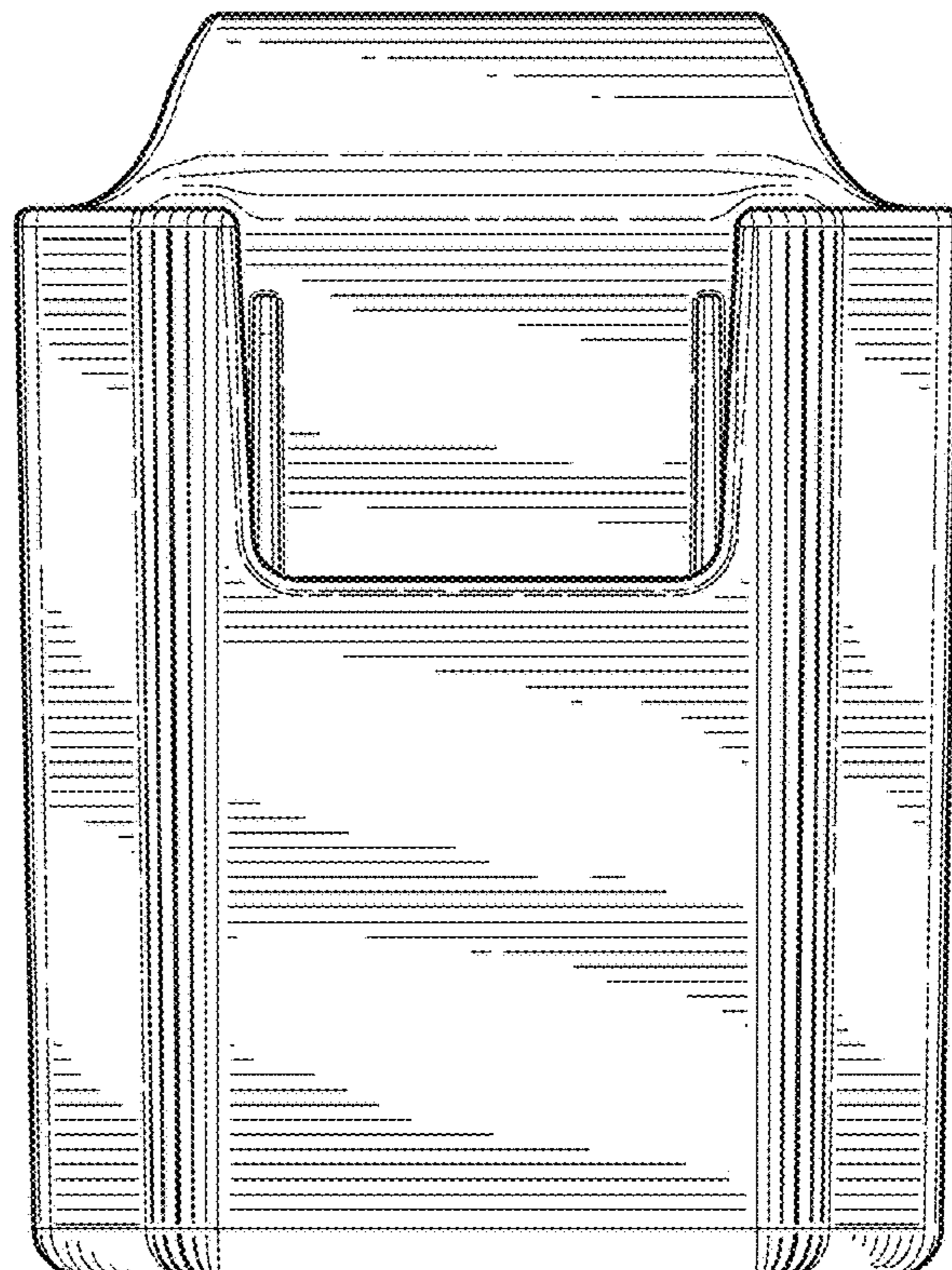


FIG. 2

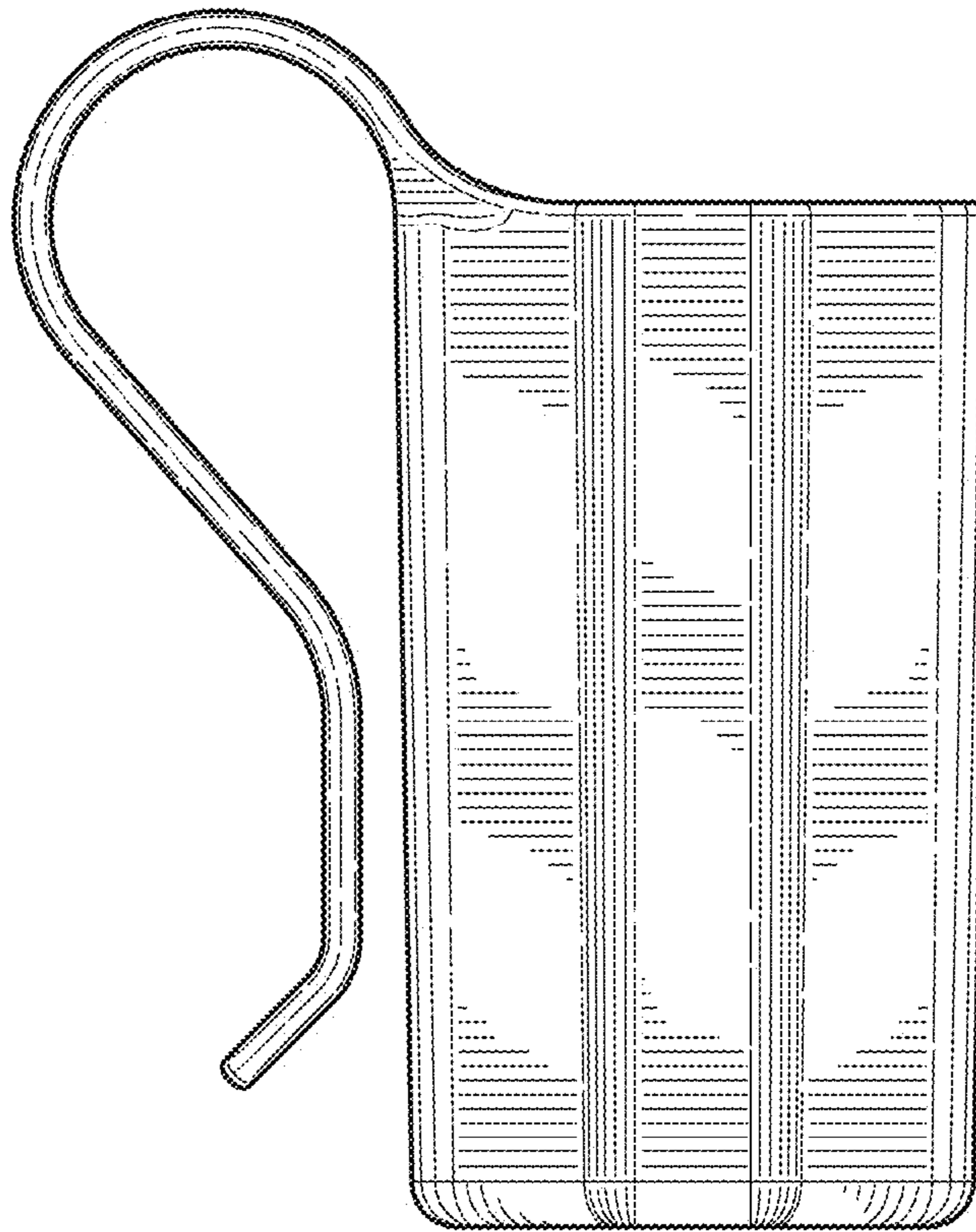


FIG. 3

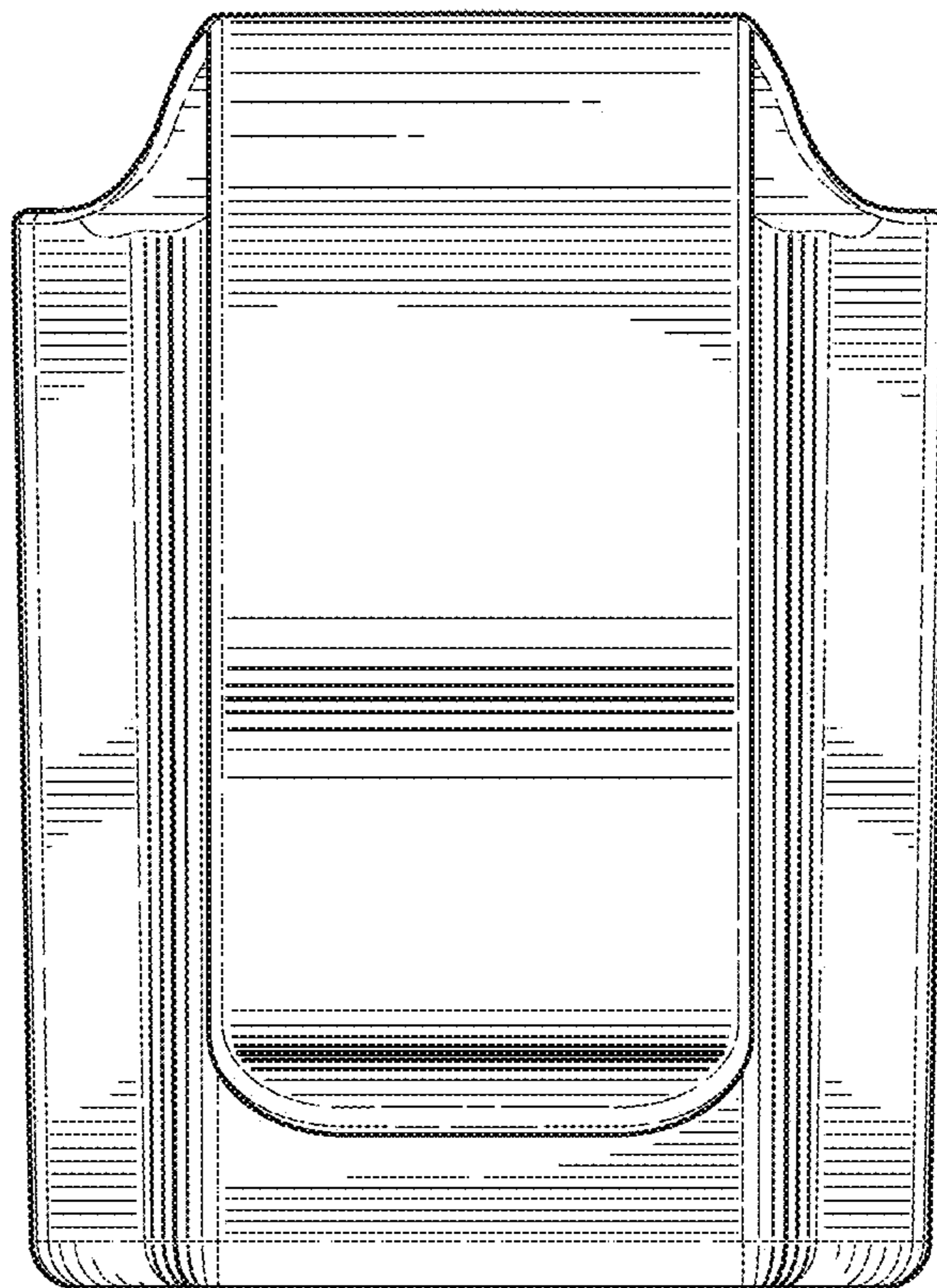


FIG. 4

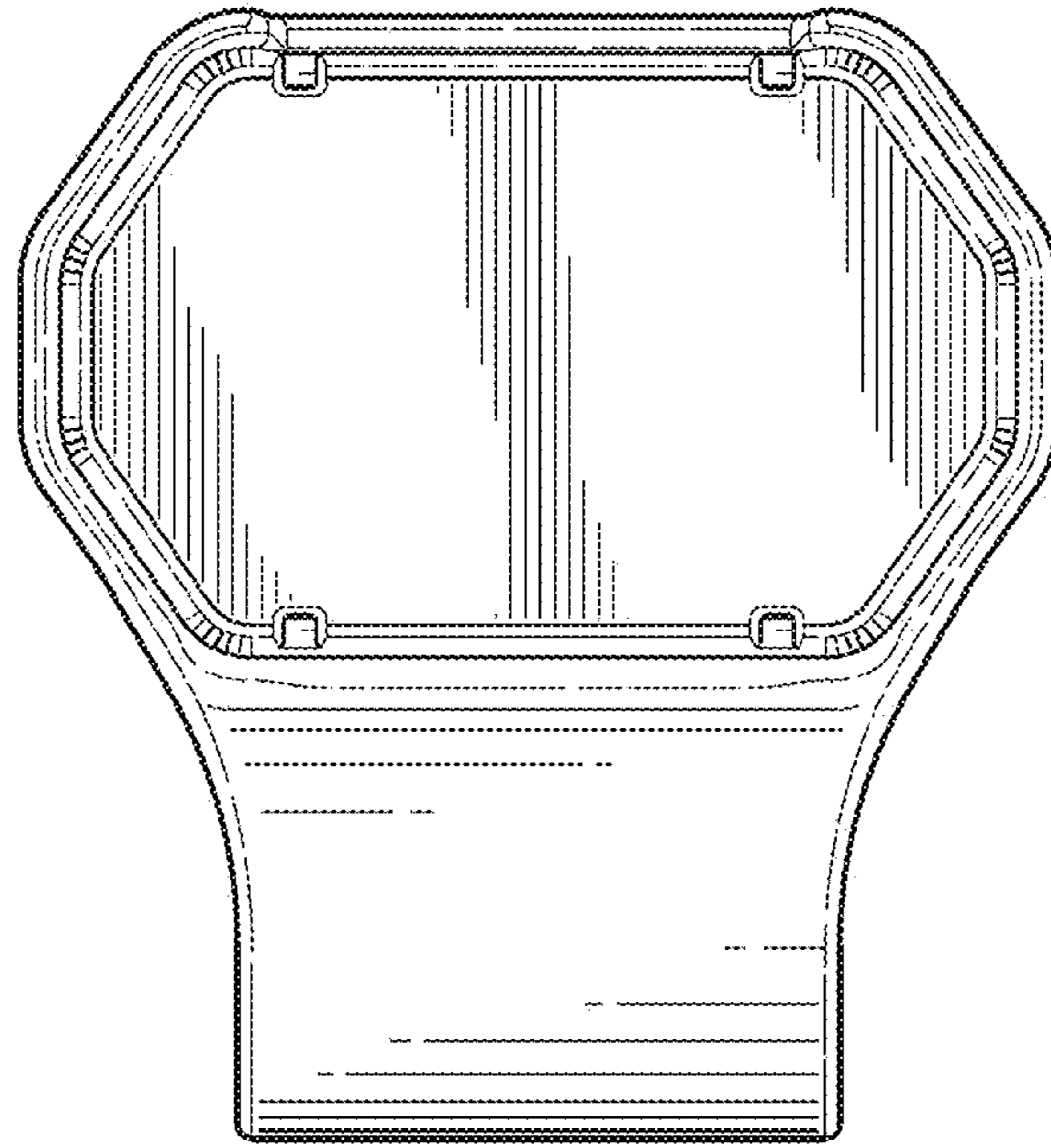


FIG. 5

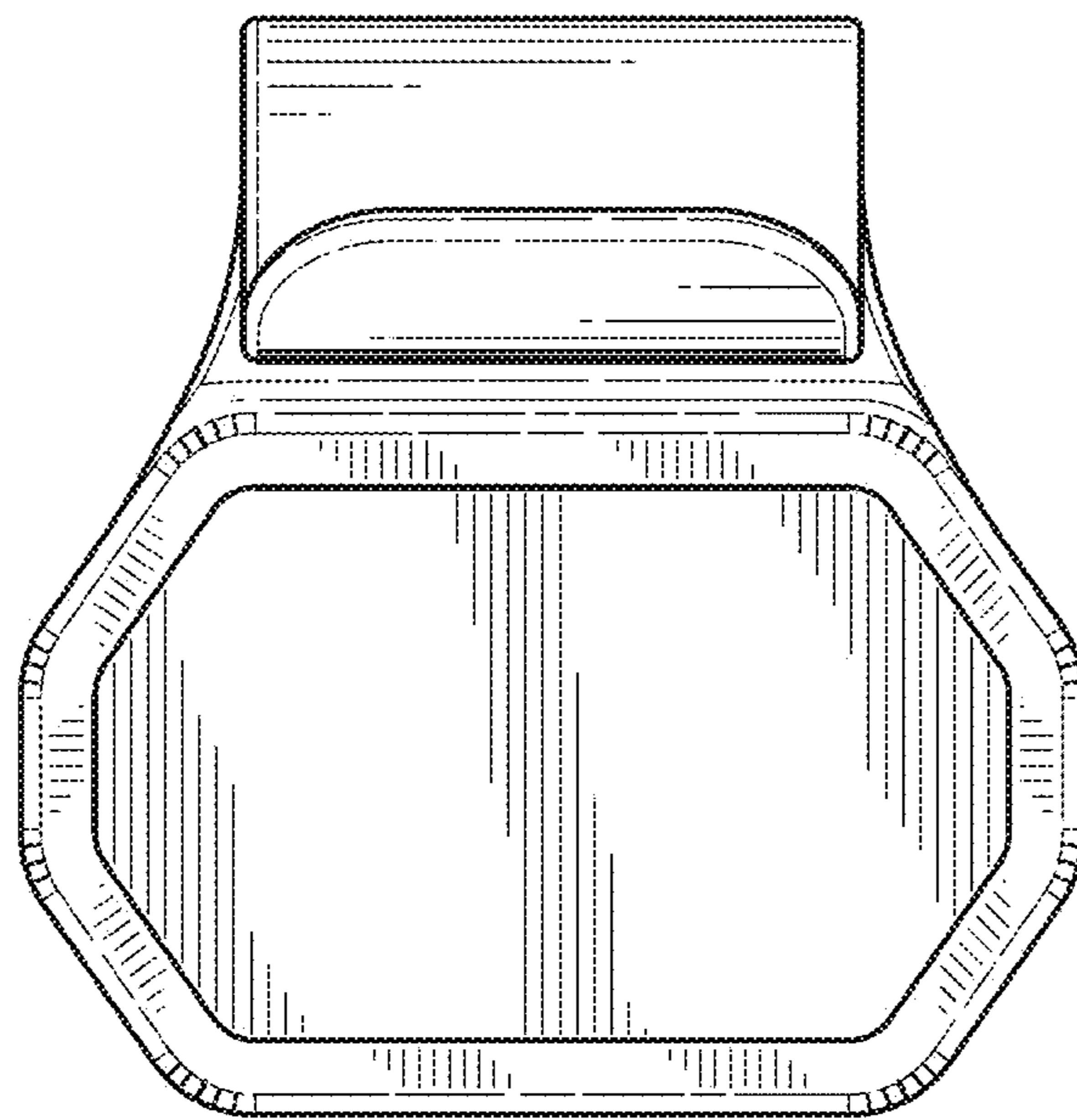


FIG. 6