



US00D970302S

(12) **United States Design Patent** (10) **Patent No.:** **US D970,302 S**
Wahl (45) **Date of Patent:** **** *Nov. 22, 2022**

- (54) **BEVERAGE CONTAINER**
- (71) Applicant: **Pacific Market International, LLC**,
Seattle, WA (US)
- (72) Inventor: **Andrew C. F. Wahl**, Seattle, WA (US)
- (73) Assignee: **Pacific Market International LLC**,
Seattle, WA (US)
- (*) Notice: This patent is subject to a terminal disclaimer.
- (**) Term: **15 Years**
- (21) Appl. No.: **29/719,923**
- (22) Filed: **Jan. 8, 2020**

Related U.S. Application Data

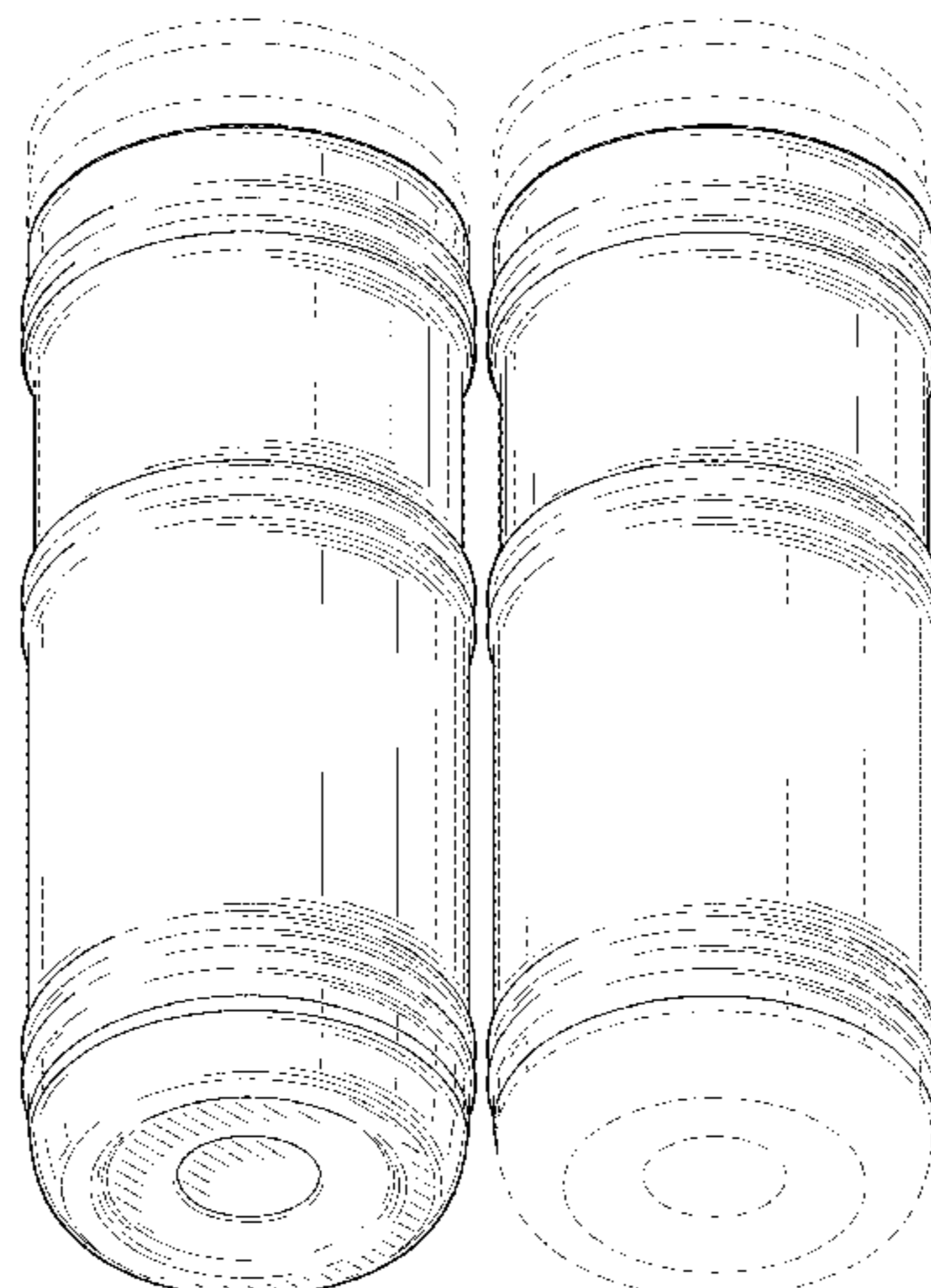
- (63) Continuation of application No. 29/719,771, filed on Jan. 7, 2020, now Pat. No. Des. 949,627.
- (51) **LOC (13) Cl.** **07-01**
- (52) **U.S. Cl.**
USPC **D7/608; D7/509; D9/502**
- (58) **Field of Classification Search**
USPC D3/202; D7/300, 300.1, 507, 509-511,
D7/532, 540, 543, 547, 548, 608, 619.1;
D9/502, 775, 777
CPC A47G 19/22; A47G 19/2205; A47G
19/2255; A47G 19/2288; B65D 81/3869
See application file for complete search history.

(56) **References Cited**

U.S. PATENT DOCUMENTS

- D70,476 S * 6/1926 Heisey D7/532
- D96,091 S * 7/1935 Chernoff D7/300.1
- D104,449 S * 5/1937 Hansen D7/532
- D108,220 S * 2/1938 Brill D7/532
- D108,421 S * 2/1938 Shapiro D7/532
- D113,137 S * 1/1939 Fuert D7/532
- D120,134 S * 4/1940 Morrison D7/532
- D143,757 S * 2/1946 Reinecke
- D234,110 S * 1/1975 Achenbah D7/532

- D287,919 S 1/1987 Clements
- D387,619 S * 12/1997 Gross D7/532
- D402,556 S 12/1998 Frye
- D404,306 S * 1/1999 Steinke D9/557
- D410,174 S * 5/1999 Sheu D7/532
- D417,360 S 12/1999 Bickert et al.
- D445,640 S 7/2001 Cruz et al.
- D481,317 S * 10/2003 Corker D9/557
- D500,343 S 12/2004 McRobbie
- D539,650 S 4/2007 Smith et al.
- D547,123 S * 7/2007 Sandberg D7/532
- D556,576 S 12/2007 Webb
- D567,656 S 4/2008 Neias
- D581,272 S * 11/2008 Yourist D9/502
- D614,447 S 4/2010 Richau et al.
- D622,103 S 8/2010 Gilbert et al.
- D627,192 S 11/2010 Gilbert et al.
- D628,906 S 12/2010 Fedusa et al.
- D630,059 S 1/2011 Gilbert et al.
- D636,634 S 4/2011 Kemper et al.
- D648,181 S * 11/2011 Kraemer D7/532
- D649,402 S 11/2011 Gilbert et al.
- D655,134 S 3/2012 Gilbert
- D658,059 S 4/2012 Bailey
- D658,431 S 5/2012 Gilbert
- D669,737 S * 10/2012 Nemeth D7/532
- D675,873 S 2/2013 Miller et al.
- D675,876 S * 2/2013 Penttinen D7/532
- D686,040 S 7/2013 Lane
- D686,074 S 7/2013 Brinckerhoff et al.
- D686,885 S * 7/2013 Meyers D7/629
- D691,847 S 10/2013 Beckman
- D696,073 S 12/2013 Miller et al.
- D701,428 S * 3/2014 Lapsker D7/532
- D707,492 S 6/2014 George et al.
- D721,965 S * 2/2015 Lindstrom D9/520
- D729,586 S 5/2015 Nemeth et al.
- D732,337 S 6/2015 Coon et al.
- D734,096 S 7/2015 George et al.
- D742,699 S 11/2015 Boroski
- D746,634 S 1/2016 Lapsker
- D753,950 S 4/2016 Feeley et al.
- D754,485 S * 4/2016 Lapsker D7/532
- D761,624 S * 7/2016 McLean D7/532
- D763,620 S 8/2016 Szymanski
- 9,462,904 B2 10/2016 Coon et al.
- D789,140 S 6/2017 Joseph
- D804,904 S * 12/2017 Noveletsky D7/510
- D807,746 S 1/2018 Fleming
- D809,347 S 2/2018 Silsby et al.
- D814,297 S 4/2018 Silsby et al.
- D826,641 S 8/2018 Nickley et al.
- D827,377 S 9/2018 Silsby et al.



D831,434 S	10/2018	Washburn et al.	
D835,939 S	12/2018	Yee et al.	
D846,344 S	4/2019	Lullie	
D852,000 S *	6/2019	Zou	D7/511
D863,875 S	10/2019	Bricl	
D903,421 S	12/2020	Wahl et al.	
D930,429 S	9/2021	Wu	

FOREIGN PATENT DOCUMENTS

CA	164170 S	9/2016
CA	170257 S	8/2017
CA	174998 S	6/2018
CN	302017079 *	8/2012
CN	302934865	9/2014
CN	303124091	3/2015
CN	303611373	3/2016
CN	303626004 *	3/2016
CN	304436759	1/2018
CN	304591537	4/2018
DE	M9207830-0004	4/1993
GB	9007999982-0014 *	6/2020
GB	9008017875-0037	6/2020
JP	D1479693	9/2013
JP	D1507225	9/2014
JP	D1576930	5/2017
JP	D1619020	11/2018
JP	D1646565	11/2019
KR	300935135.0000	12/2017
KR	300992131.0000	2/2019

OTHER PUBLICATIONS

Ellison Jr., Robert A. "Tankard," 2014, The Met, www.metmuseum.org/art/collection/search/675863 (Year: 2014).*

JMBO Sales, "Kyocera Travel Mug with Twist Top," Nov. 6, 2017, Amazon.com, www.amazon.com/Kyocera-MB-17S-SS-Travel-Stainless/dp/B077KX82L9?th=1 (Year: 2017).*

Stanley, "Stanley Quadvac Trigger Action Travel Mug," Apr. 4, 2021, Amazon.ca, <https://www.amazon.ca/Stanley-Quadvac-Trigger-Action-Mug/dp/B08RXRJRK3?th=1> (Year: 2021).*

L.L.Bean, "L.L.Bean Legacy Neverleak Travel Mug," Nov. 10, 2021, L.L.Bean, www.llbean.com/llb/shop/126337 (Year: 2021).*

U.S. Appl. No. 29/719,769, filed Jan. 7, 2020.

U.S. Appl. No. 29/719,905, filed Jan. 8, 2020.

U.S. Appl. No. 29/719,916, filed Jan. 8, 2020.

U.S. Appl. No. 29/719,771, filed Jan. 7, 2020.

U.S. Appl. No. 29/719,913, filed Jan. 8, 2020.

4imprint USA, "Venti Tumbler," 4imprint USA, www.4imprint.com/product/105558, Apr. 2011, 2 pages.

amazon.com, "Simple Modern Tumbler, Water Bottle Lid Replacement," Amazon.com, www.amazon.com/Simple-Modern-Twist-Lid-Internally/dp/B078K5D4VH, May 5, 2018, 2 pages.

amazon.com, "Thermos Stainless King Vacuum-Insulated Drink Bottle," Amazon.com, www.amazon.com/dp/B01DZQSWQ4, Apr. 8, 2016, 2 pages.

CM Tactical & Outdoor Shop, "Stanley naver leak," YouTube, www.youtube.com/watch?v=3KReU8vzcyg, Apr. 29, 2021, 1 page.

General Wholesale Warehouse, "Rubbermaid Leak Proof Flip Lid Thermal Bottle," Amazon.com, www.amazon.com/Rubbermaid-Proof-Thermal-Bottle-Nautical/dp/B077FRBWJP, Nov. 13, 2017, 2 pages.

House Smart, "Contigo Twistseal Glaze Vacuum-Insulated Stainless Steel Travel Mug with Ceramic Coating," www.amazon.com/Contigo-Vacuum-Insulated-Stainless-TwistSeal-Travel/dp/B01N9QQKNR, Jan. 11, 2017, 2 pages.

John Lin, "Ultimate cleaning guide: Stanley One Hand Classic Vacuum Travel Insulated Mug," YouTube, www.youtube.com/watch?v=UWhwEL2klhU, Jan. 21, 2018, 4 pages.

Noe, "How Lid Design Changes in 1967, 75, and 84 Led us to Drink Coffee On-the-Go," Core77, www.core77.com/posts/92200/How-Lid-Design-Changes-in-1967-75-and-84-Led-Us-to-Drink-Coffee-On-the-Go, 2020, 24 pages.

Pacific Market International, "Stanley Neverleak-Taza de viaje de 0,35l," Amazon.com, www.amazon.com/dp/B08THQPZP1?th=1, Jan. 31, 2021, 2 pages.

Stanley, "Stanley Neverleak Travel Mug," Amazon.co.uk, www.amazon.co.uk/Stanley-Neverleak-Travel-Hammertone-Leakproof/dp/B08THL9S1G, Jan. 20, 2021, 2 pages.

Stanley, "Stanley The Quadvac Neverleak Mug," Amazon.com, www.amazon.com/Stanley-10-09967-002-The-Quadvac-NeverLeakMug/dp/B08RXTKZBQ, Jan. 3, 2021, 2 pages.

Information Disclosure Statement Transmittal Letter filed herewith, dated Mar. 25, 2020, 2 pages.

* cited by examiner

Primary Examiner — Joseph Kukella
 Assistant Examiner — Arva P Adams
 (74) Attorney, Agent, or Firm — Merchant and Gould P.C.

(57)

CLAIM

The ornamental design for a beverage container, as shown and described.

DESCRIPTION

FIG. 1 is a top perspective view of a beverage container showing my new design.

FIG. 2 is a bottom perspective view thereof.

FIG. 3 is a front elevational view thereof.

FIG. 4 is a left side elevational view thereof.

FIG. 5 is a right side elevational view thereof.

FIG. 6 is a rear elevational view thereof.

FIG. 7 is a top plan view thereof.

FIG. 8 is a bottom plan view thereof.

FIG. 9 is a top perspective view of a second embodiment thereof.

FIG. 10 is a bottom perspective view thereof.

FIG. 11 is a front elevational view thereof.

FIG. 12 is a left side elevational view thereof.

FIG. 13 is a right side elevational view thereof.

FIG. 14 is a rear elevational view thereof.

FIG. 15 is a top plan view thereof; and,

FIG. 16 is a bottom plan view thereof.

The broken lines depict portions of the beverage container that form no part of the claimed design.

1 Claim, 14 Drawing Sheets

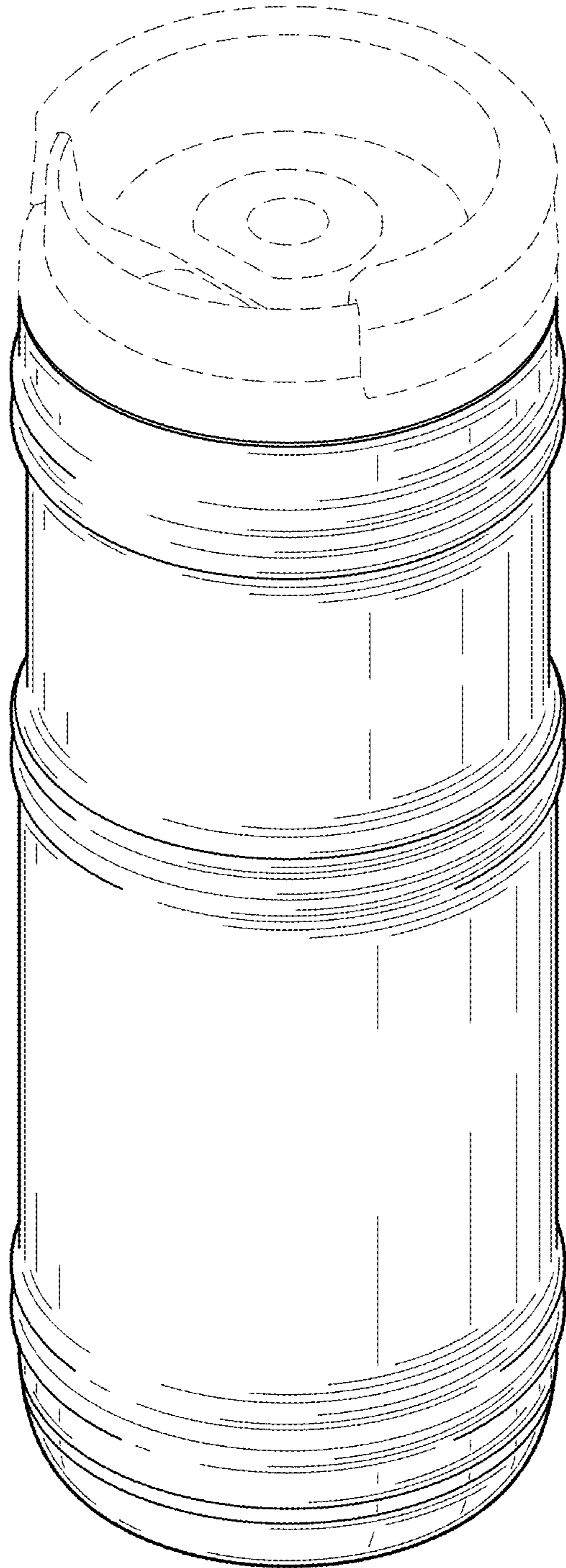


FIG. 1

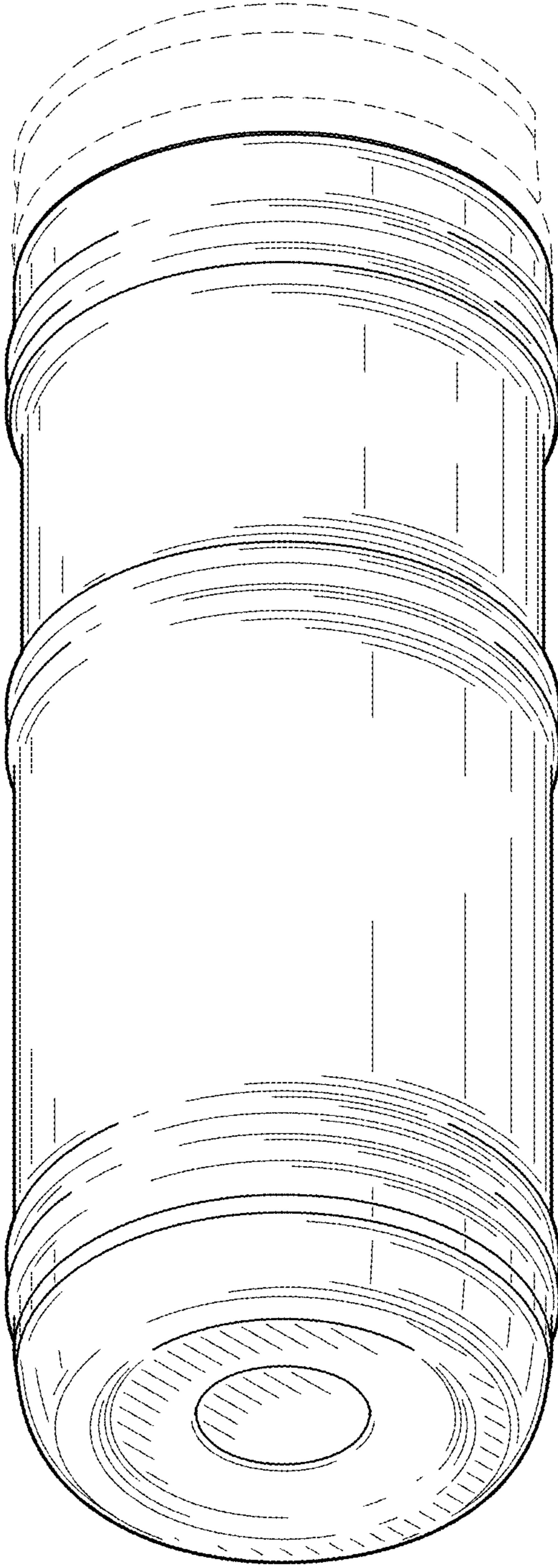


FIG. 2

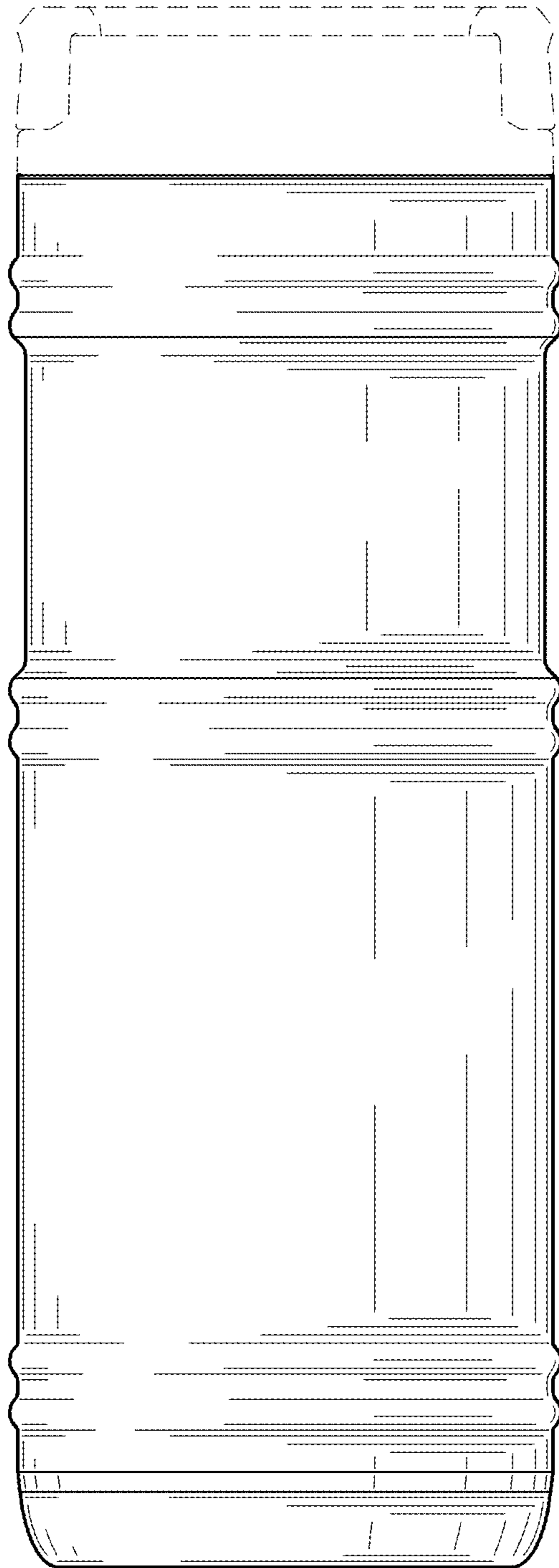


FIG. 3

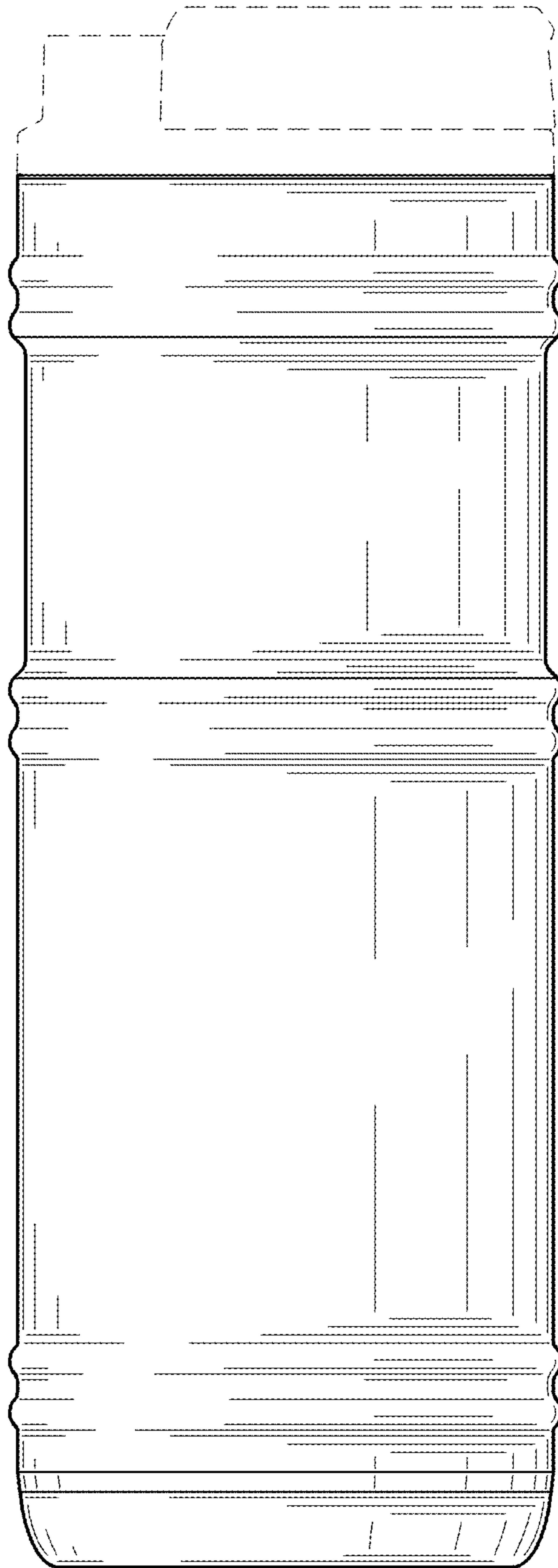


FIG. 4

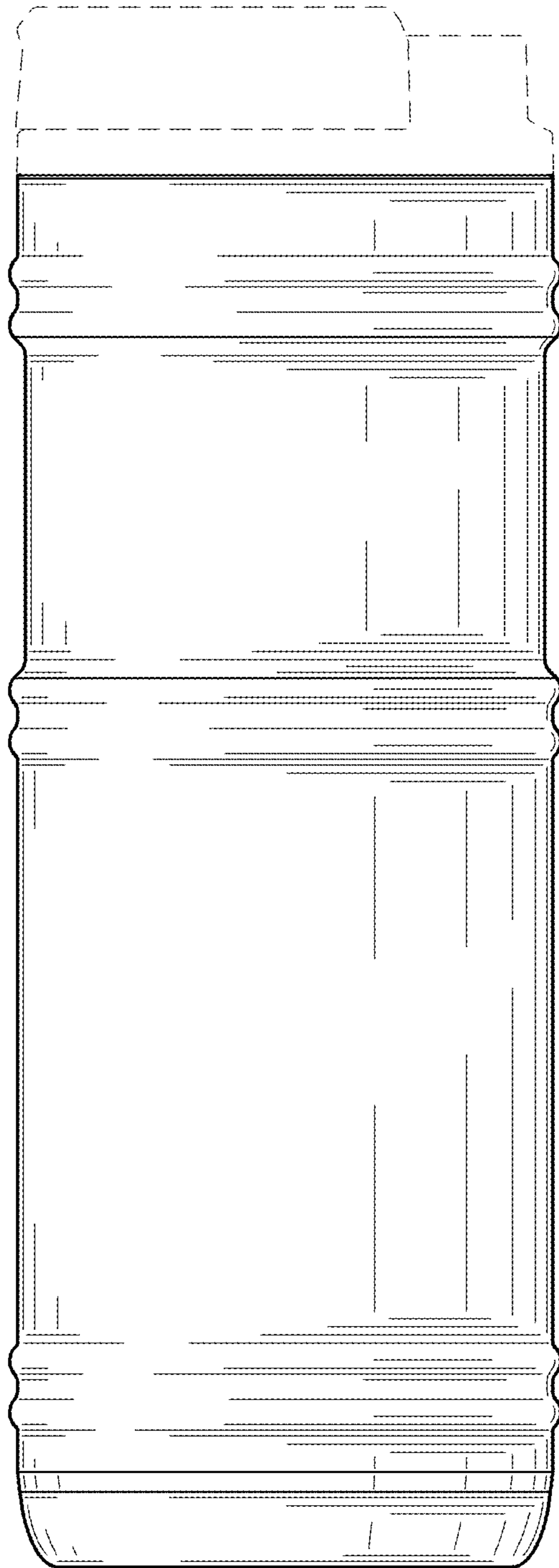


FIG. 5

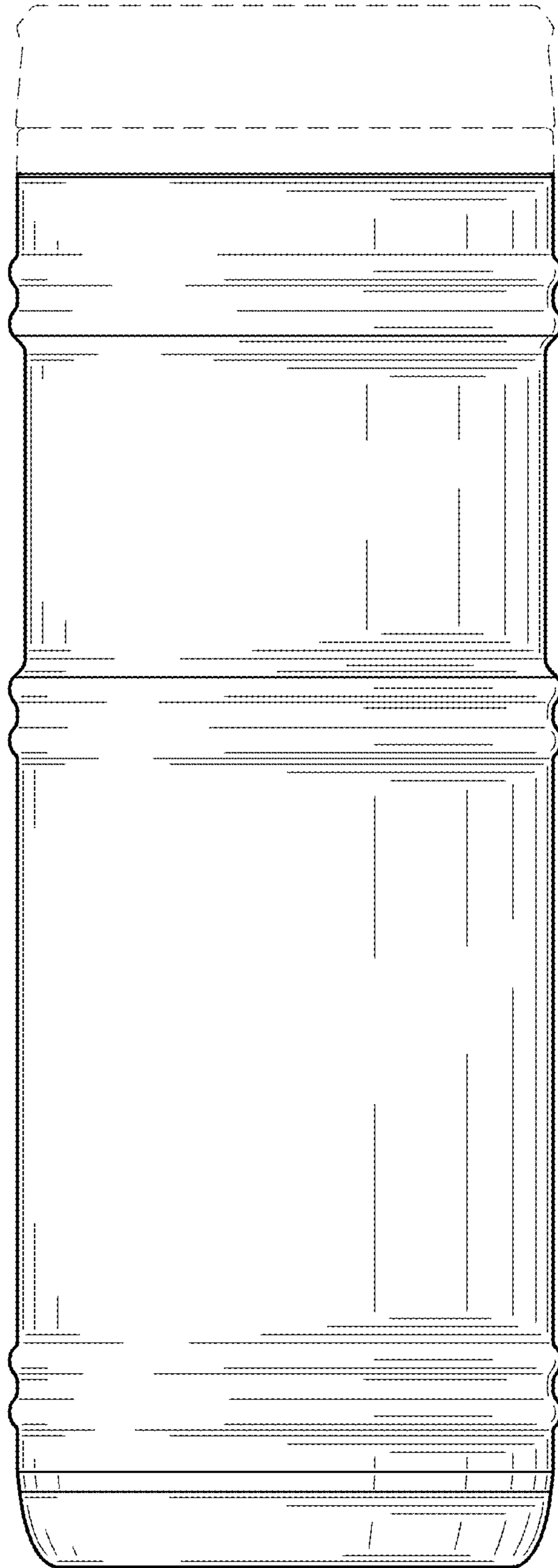


FIG. 6

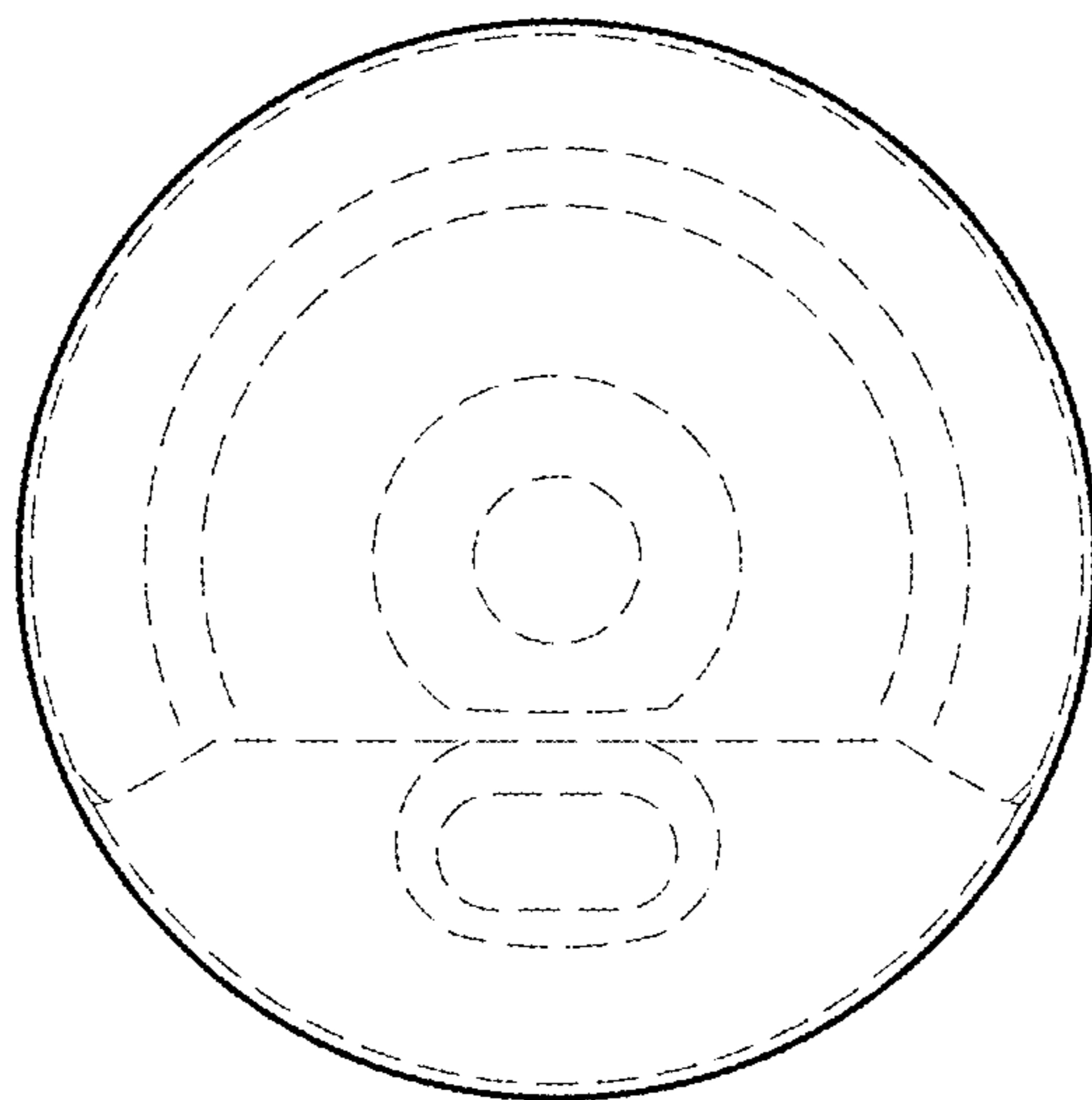


FIG. 7

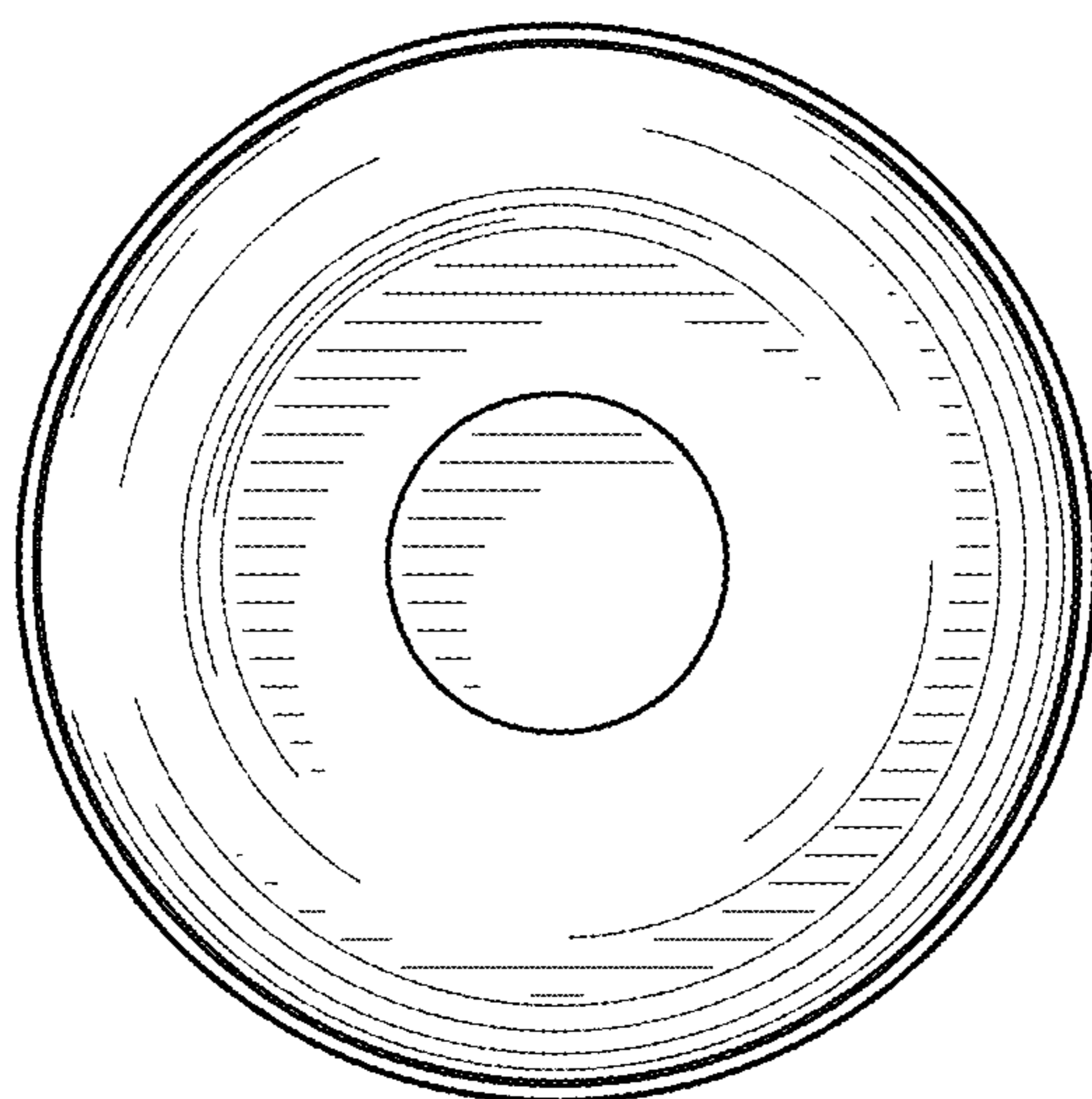


FIG. 8

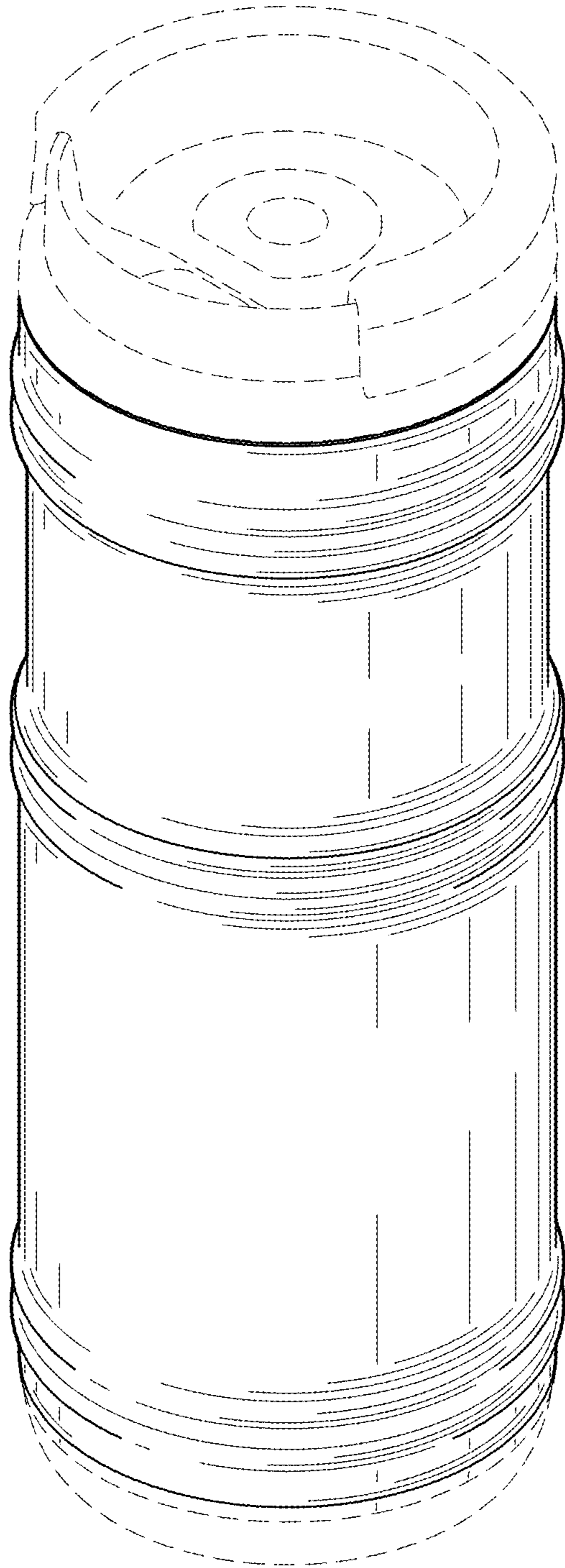


FIG. 9

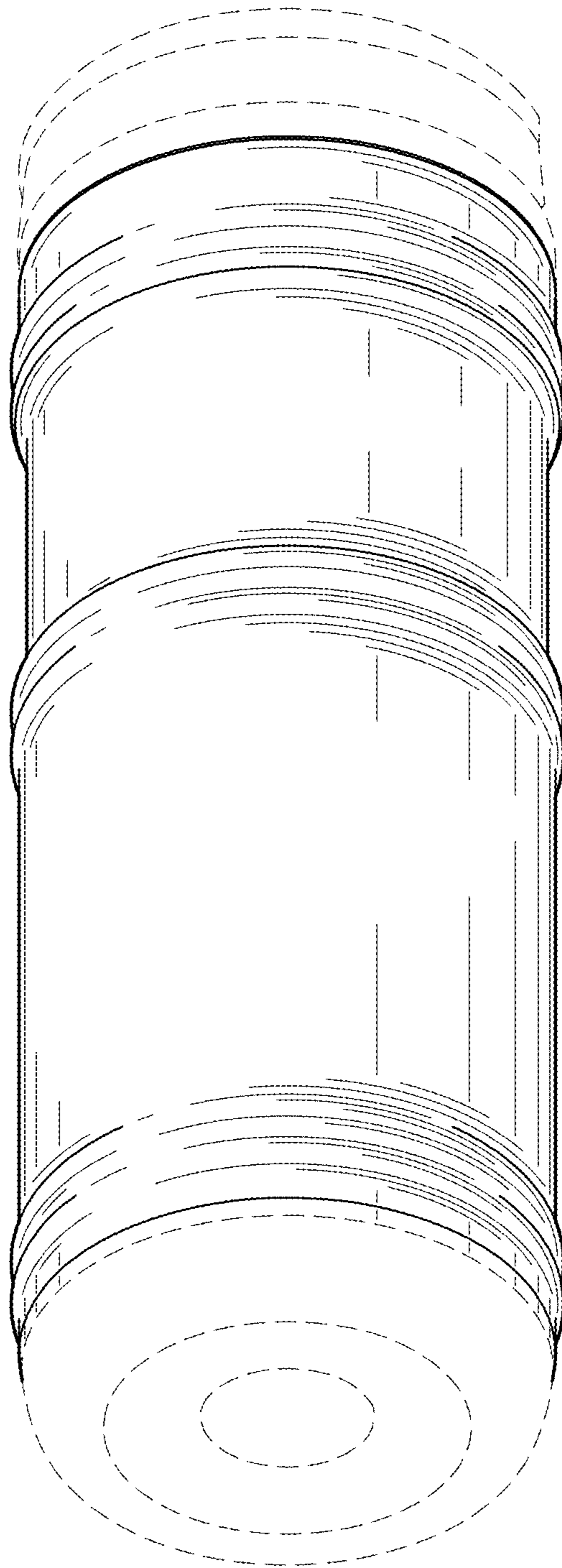


FIG. 10

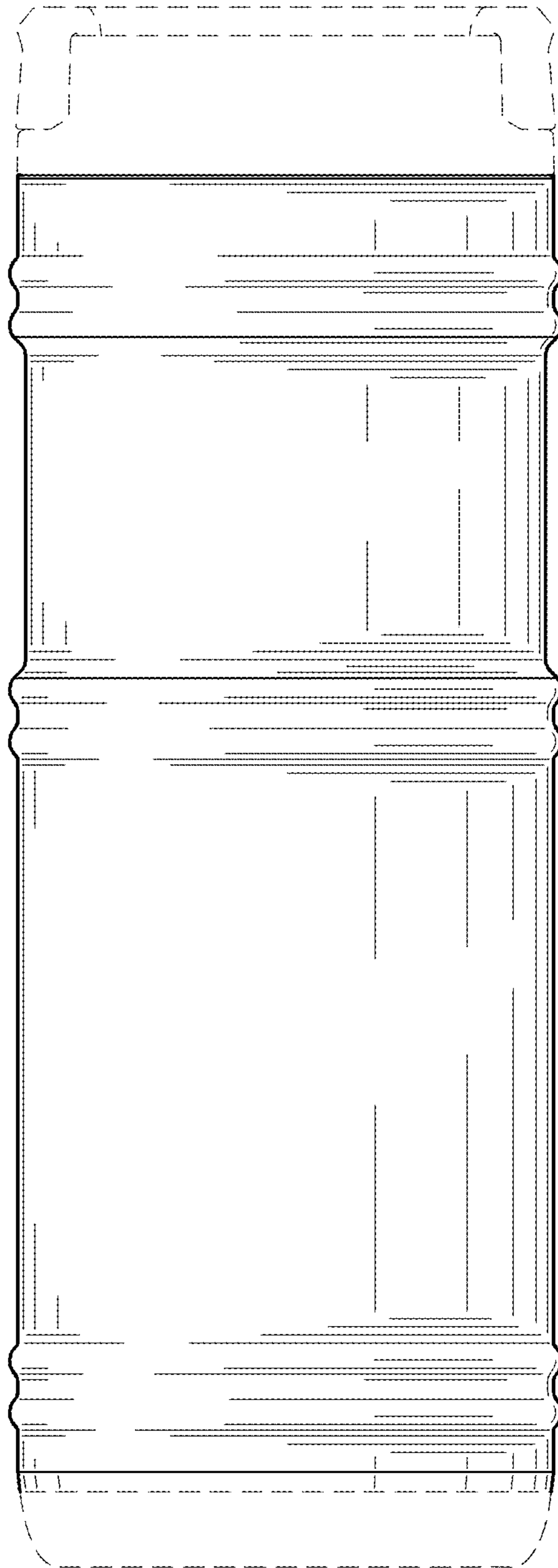


FIG. 11

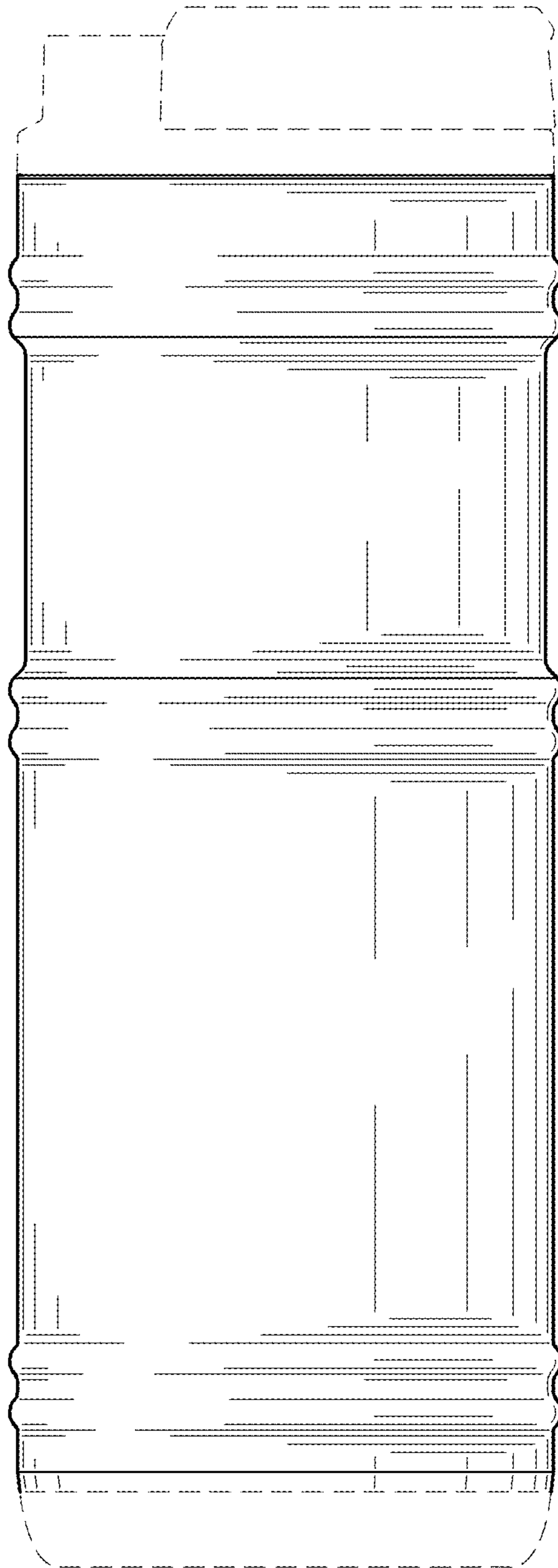


FIG. 12

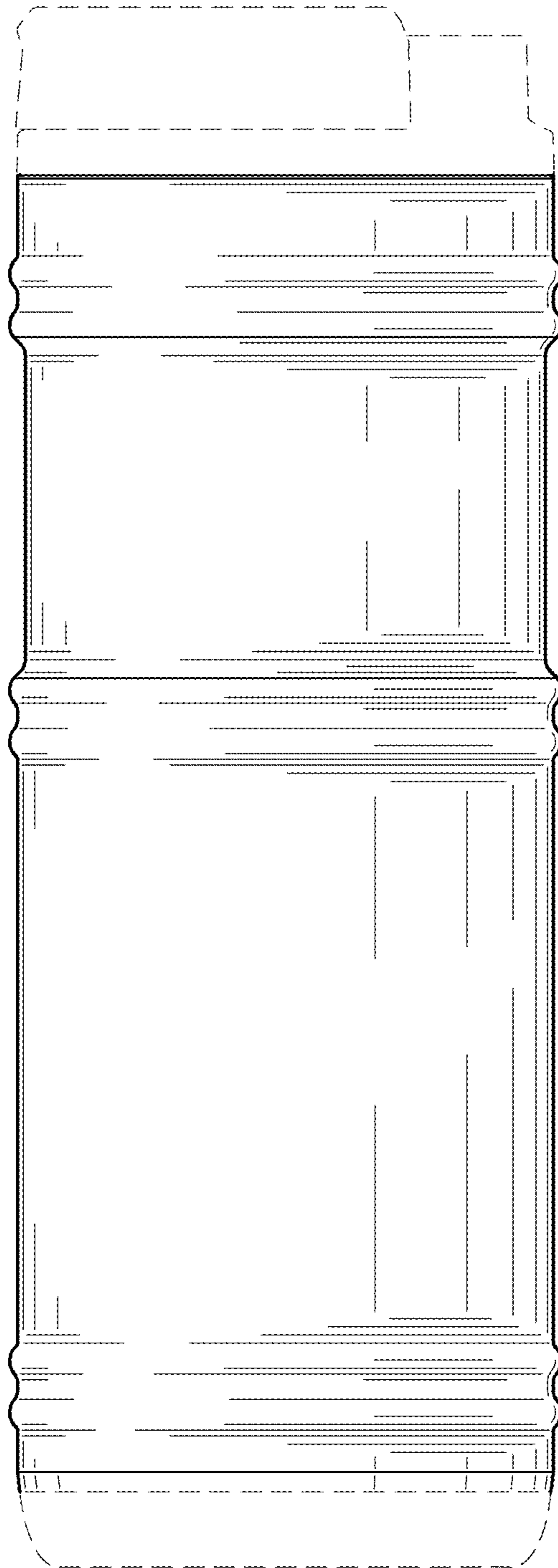


FIG. 13

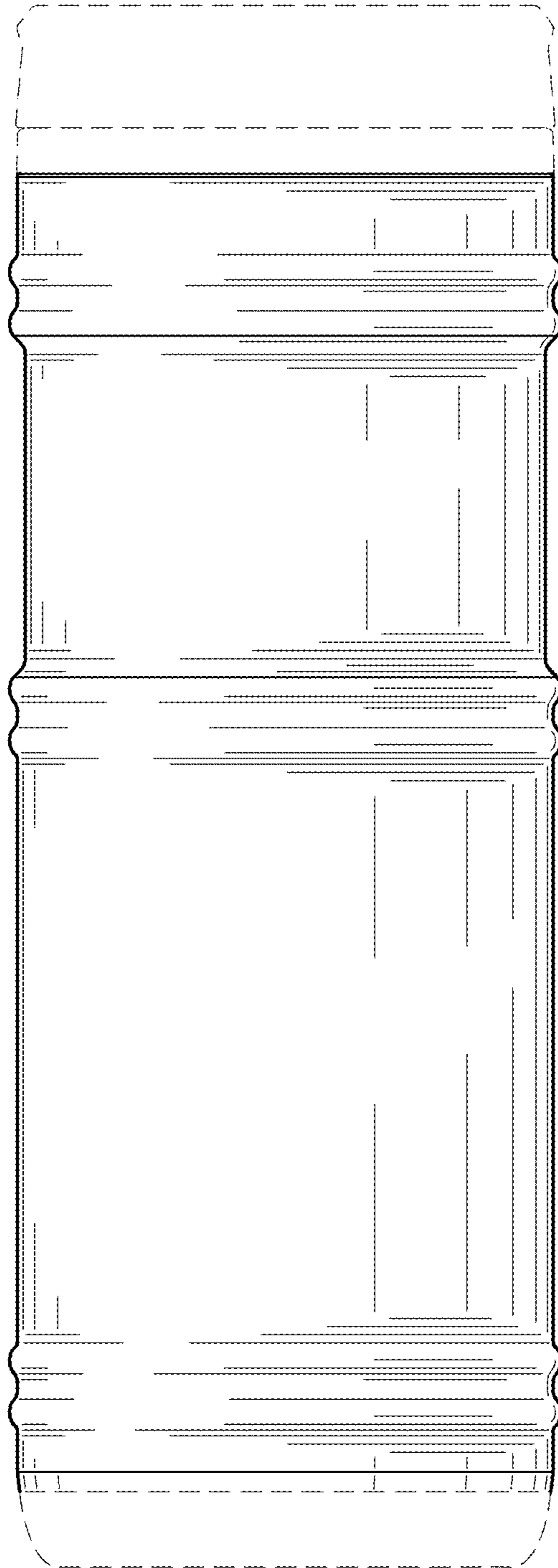


FIG. 14

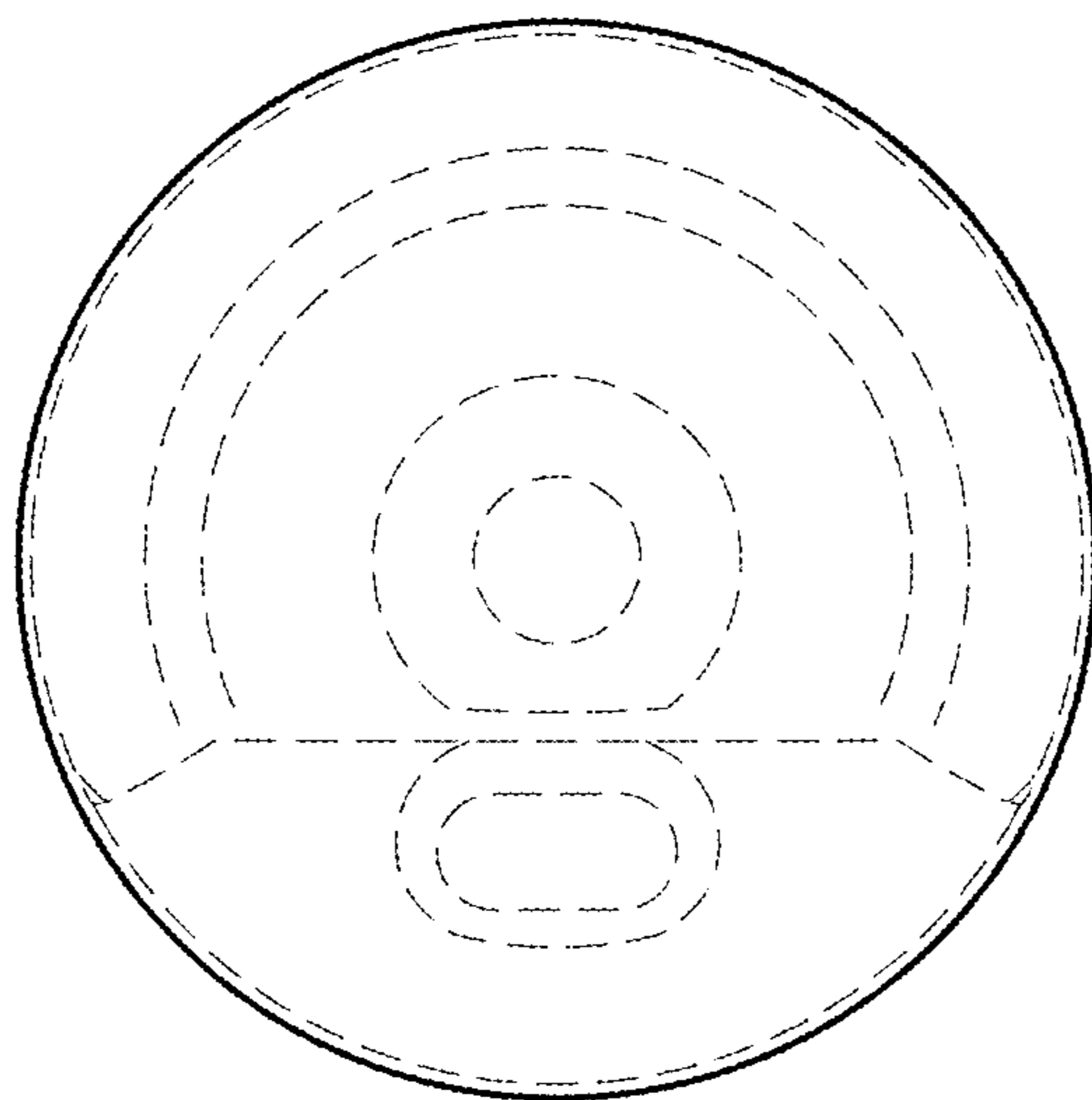


FIG. 15

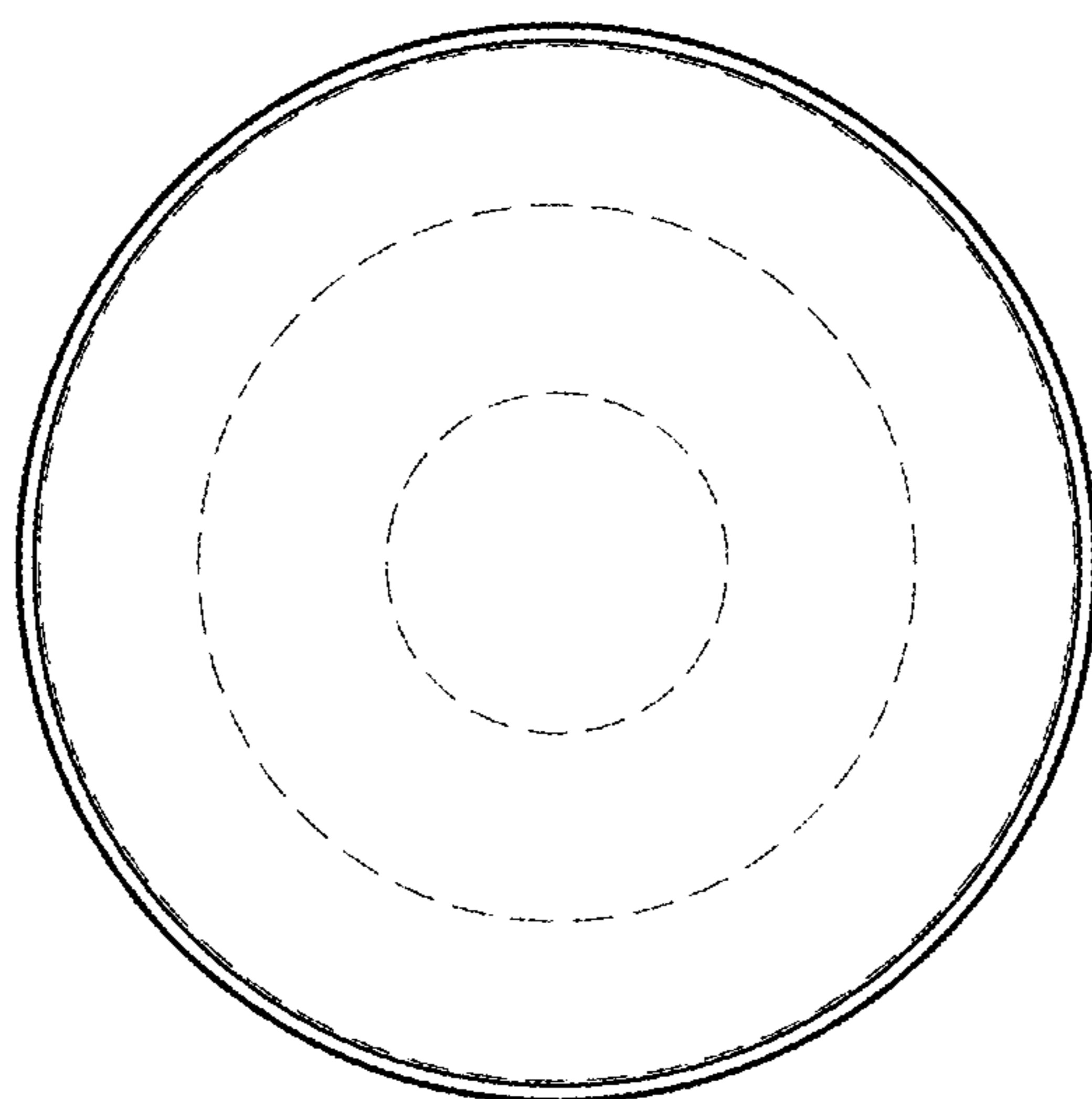


FIG. 16