



US00D970301S

(12) **United States Design Patent** (10) **Patent No.:** **US D970,301 S**
Wahl (45) **Date of Patent:** **** *Nov. 22, 2022**

- (54) **BEVERAGE CONTAINER**
- (71) Applicant: **Pacific Market International, LLC**,
Seattle, WA (US)
- (72) Inventor: **Andrew C. F. Wahl**, Seattle, WA (US)
- (73) Assignee: **Pacific Market International LLC**,
Seattle, WA (US)
- (*) Notice: This patent is subject to a terminal disclaimer.
- (**) Term: **15 Years**
- (21) Appl. No.: **29/719,916**
- (22) Filed: **Jan. 8, 2020**

Related U.S. Application Data

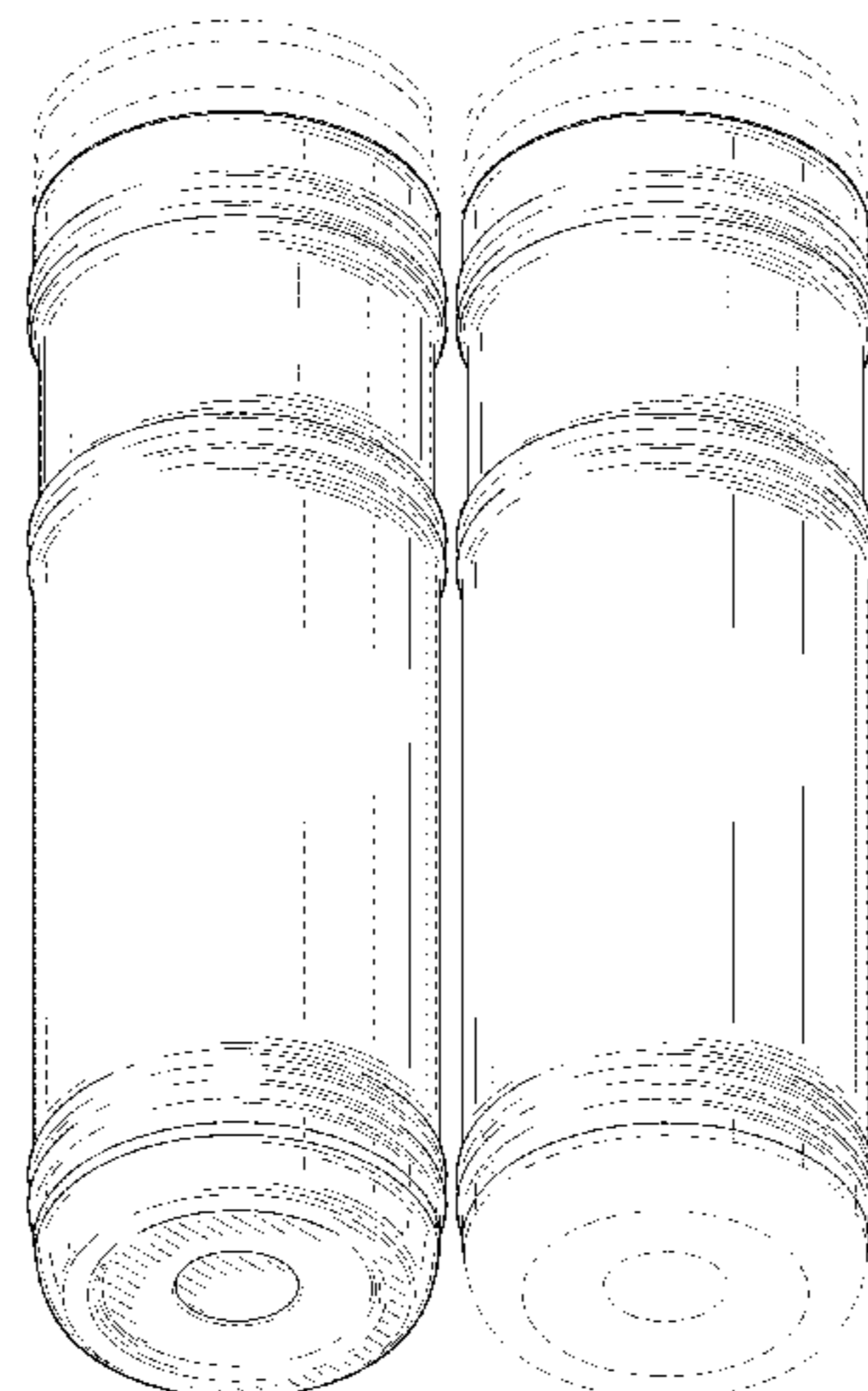
- (63) Continuation of application No. 29/719,769, filed on Jan. 7, 2020, now Pat. No. Des. 949,626.
- (51) **LOC (13) Cl.** **07-01**
- (52) **U.S. Cl.**
USPC **D7/608; D7/509; D9/502**
- (58) **Field of Classification Search**
USPC D3/202; D7/300, 300.1, 507, 509-511, D7/532, 540, 543, 547, 548, 608, 619.1; D9/502, 775, 777
CPC A47G 19/22; A47G 19/2205; A47G 19/2255; A47G 19/2288; B65D 81/3869
See application file for complete search history.

(56) **References Cited**

U.S. PATENT DOCUMENTS

D70,476 S * 6/1926 Heisey D7/532
D96,091 S * 7/1935 Chernoff D7/300.1
D104,449 S * 5/1937 Hansen D7/532
D108,220 S * 2/1938 Brill D7/532
D108,421 S * 2/1938 Shapiro D7/532
D113,137 S * 1/1939 Fuert D7/532
D120,134 S * 4/1940 Morrison D7/532
D143,757 S * 2/1946 Reinecke D7/532
D234,110 S * 1/1975 Achenbach D7/532

D287,919 S 1/1987 Clements
D387,619 S * 12/1997 Gross D7/532
D402,556 S 12/1998 Frye
D404,306 S * 1/1999 Steinke D9/557
D410,174 S * 5/1999 Sheu D7/532
D417,360 S 12/1999 Bickert et al.
D445,640 S 7/2001 Cruz et al.
D481,317 S * 10/2003 Corker D9/557
D500,343 S 12/2004 McRobbie
D539,650 S 4/2007 Smith et al.
D547,123 S * 7/2007 Sandberg D7/532
D556,576 S 12/2007 Webb
D567,656 S 4/2008 Neias
D581,272 S * 11/2008 Yourist D9/502
D614,447 S 4/2010 Richau et al.
D622,103 S 8/2010 Gilbert et al.
D627,192 S 11/2010 Gilbert et al.
D628,906 S 12/2010 Fedusa et al.
D630,059 S 1/2011 Gilbert et al.
D636,634 S 4/2011 Kemper et al.
D648,181 S * 11/2011 Kraemer D7/532
D649,402 S 11/2011 Gilbert et al.
D655,134 S 3/2012 Gilbert
D658,059 S 4/2012 Bailey
D658,431 S 5/2012 Gilbert
D669,737 S * 10/2012 Nemeth D7/532
D675,873 S 2/2013 Miller et al.
D675,876 S * 2/2013 Penttinen D7/532
D686,040 S 7/2013 Lane
D686,074 S 7/2013 Brinckerhoff et al.
D686,885 S * 7/2013 Meyers D7/629
D691,847 S 10/2013 Beckman
D696,073 S 12/2013 Miller et al.
D701,428 S * 3/2014 Lapsker D7/532
D707,492 S 6/2014 George et al.
D721,965 S * 2/2015 Lindstrom D9/520
D729,586 S 5/2015 Nemeth et al.
D732,337 S 6/2015 Coon et al.
D734,096 S 7/2015 George et al.
D742,699 S 11/2015 Boroski
D746,634 S 1/2016 Lapsker
D753,950 S 4/2016 Feeley et al.
D754,485 S * 4/2016 Lapsker D7/532
D761,624 S * 7/2016 McLean D7/532
D763,620 S 8/2016 Szymanski
9,462,904 B2 10/2016 Coon et al.
D789,140 S 6/2017 Joseph
D804,904 S * 12/2017 Noveletsky D7/510
D807,746 S 1/2018 Fleming
D809,347 S 2/2018 Silsby et al.
D814,297 S 4/2018 Silsby et al.
D826,641 S 8/2018 Nickley et al.
D827,377 S 9/2018 Silsby et al.



| | | | |
|--------------|---------|-----------------|--------|
| D831,434 S | 10/2018 | Washburn et al. | |
| D835,939 S | 12/2018 | Yee et al. | |
| D846,344 S | 4/2019 | Lullie | |
| D852,000 S * | 6/2019 | Zou | D7/511 |
| D863,875 S | 10/2019 | Bricl | |
| D903,421 S | 12/2020 | Wahl et al. | |
| D930,429 S | 9/2021 | Wu | |

FOREIGN PATENT DOCUMENTS

| | | |
|----|-------------------|---------|
| CA | 164170 S | 9/2016 |
| CA | 170257 S | 8/2017 |
| CA | 174998 S | 6/2018 |
| CN | 302017079 * | 8/2012 |
| CN | 302934865 | 9/2014 |
| CN | 303124091 | 3/2015 |
| CN | 303611373 | 3/2016 |
| CN | 303626004 * | 3/2016 |
| CN | 304436759 | 1/2018 |
| CN | 304591537 | 4/2018 |
| DE | M9207830-0004 | 4/1993 |
| GB | 9007999982-0014 * | 6/2020 |
| GB | 9008017875-0037 | 6/2020 |
| JP | D1479693 | 9/2013 |
| JP | D1507225 | 9/2014 |
| JP | D1576930 | 5/2017 |
| JP | D1619020 | 11/2018 |
| JP | D1646565 | 11/2019 |
| KR | 300935135.0000 | 12/2017 |
| KR | 300992131.0000 | 2/2019 |

OTHER PUBLICATIONS

Ellison Jr., Robert A. "Tankard," 2014, The Met, www.metmuseum.org/art/collection/search/675863 (Year: 2014).*

JMBO Sales, "Kyocera Travel Mug with Twist Top," Nov. 6, 2017, Amazon.com, www.amazon.com/Kyocera-MB-17S-SS-Travel-Stainless/dp/B077KX82L9?th=1 (Year: 2017).*

Stanley, "Stanley The Quadvac NeverLeak Mug," Jan. 3, 2021, Amazon.com, www.amazon.com/Stanley-10-09967-002-The-Quadvac-NeverLeakMug/dp/B08RXTKZBQ (Year: 2021).*

L.L.Bean, "L.L.Bean Legacy Neverleak Travel Mug," Nov. 10, 2021, L.L.Bean, www.llbean.com/llb/shop/126337 (Year: 2021).*

4Imprint USA, "Venti Tumbler," 4imprint USA, www.4imprint.com/product/105558, Apr. 2011, 2 pages.

amazon.com, "Simple Modern Tumbler, Water Bottle Lid Replacement," Amazon.com, www.amazon.com/Simple-Modern-Twist-Lid-Internally/dp/B0TBKSD4VH, May 5, 2018, 2 pages.

amazon.com, "Thermos Stainless King Vacuum-Insulated Drink Bottle," Amazon.com, www.amazon.com/dp/BO1DZQSWQ4, Apr. 8, 2016, 2 pages.

CM Tactical & Outdoor Shop, "Stanley naver leak," YouTube, www.youtube.com/watch?v=3KReU8vzcyg, Apr. 29, 2021, 1 page.

General Wholesale Warehouse, "Rubbermaid Leak Proof Flip Lid Thermal Bottle," Amazon.com, www.amazon.com/Rubbermaid-Proof-Thermal-Bottle-Nautical/dp/B077FRBWJP, Nov. 13, 2017, 2 pages.

House Smart, "Contigo TwistSeal Glaze Vacuum-Insulated Stainless Steel Travel Mug with Ceramic Coating," www.amazon.com/Contigo-Vacuum-Insulated-Stainless-TwistSeal-Travel/dp/BO1N9QQKNR, Jan. 11, 2017, 2 pages.

John Lin, "Ultimate cleaning guide: Stanley One Hand Classic Vacuum Travel Insulated Mug," YouTube, www.youtube.com/watch?v=UWhwEL2klhU, Jan. 21, 2018, 4 pages.

Noe, "How Lid Design Changes in 1967, 75, and 84 Led us to Drink Coffee On-the-Go," Core77, www.core77.com/posts/92200/How-Lid-Design-Changes-in-1967-75-and-84-Led-Us-to-Drink-Coffee-On-the-Go, 2020, 24 pages.

Pacific Market International, "Stanley Neverleak-Taza de viaje de 0,35l," Amazon.com, www.amazon.com/dp/B08THQPZP1?th=1, Jan. 31, 2021, 2 pages.

Stanley, "Stanley Neverleak Travel Mug," Amazon.co.uk, www.amazon.co.uk/Stanley-Neverleak-Travel-Hammertone-Leakproof/dp/B08THL9S1G, Jan. 20, 2021, 2 pages.

Stanley, "Stanley The Quadvac Neverleak Mug," Amazon.com, www.amazon.com/Stanley-10-09967-002-The-Quadvac-NeverLeakMug/dp/B08RXTKZBQ, Jan. 3, 2021, 2 pages.

Information Disclosure Statement Transmittal Letter filed herewith, dated Mar. 25, 2020, 2 pages.

U.S. Appl. No. 29/719,769, filed Jan. 7, 2020.

U.S. Appl. No. 29/719,905, filed Jan. 8, 2020.

U.S. Appl. No. 29/719,771, filed Jan. 7, 2020.

U.S. Appl. No. 29/719,913, filed Jan. 8, 2020.

U.S. Appl. No. 29/719,923, filed Jan. 8, 2020.

* cited by examiner

Primary Examiner — Joseph Kukella
Assistant Examiner — Arva P Adams
 (74) *Attorney, Agent, or Firm* — Merchant and Gould P.C.

(57)

CLAIM

The ornamental design for a beverage container, as shown and described.

DESCRIPTION

FIG. 1 is a top perspective view of a beverage container showing my new design.

FIG. 2 is a bottom perspective view thereof.

FIG. 3 is a front elevational view thereof.

FIG. 4 is a left side elevational view thereof.

FIG. 5 is a right side elevational view thereof.

FIG. 6 is a rear elevational view thereof.

FIG. 7 is a top plan view thereof.

FIG. 8 is a bottom plan view thereof.

FIG. 9 is a top perspective view of a second embodiment thereof.

FIG. 10 is a bottom perspective view thereof.

FIG. 11 is a front elevational view thereof.

FIG. 12 is a left side elevational view thereof.

FIG. 13 is a right side elevational view thereof.

FIG. 14 is a rear elevational view thereof.

FIG. 15 is a top plan view thereof; and,

FIG. 16 is a bottom plan view thereof.

The broken lines depict portions of the beverage container that form no part of the claimed design.

1 Claim, 14 Drawing Sheets

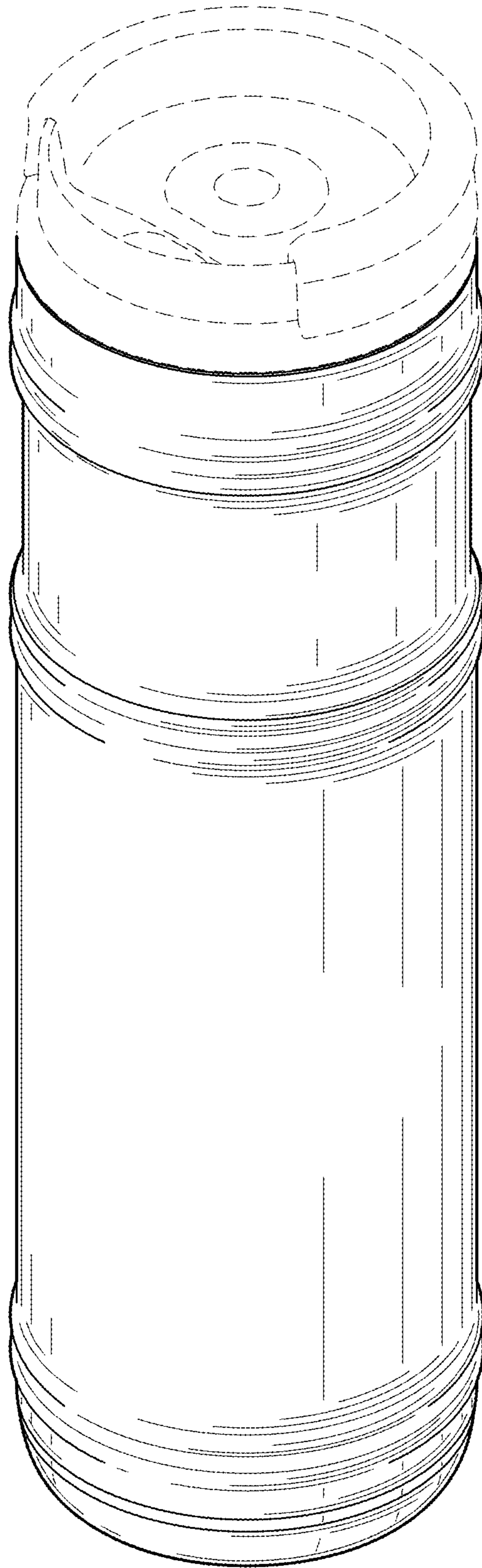


FIG. 1

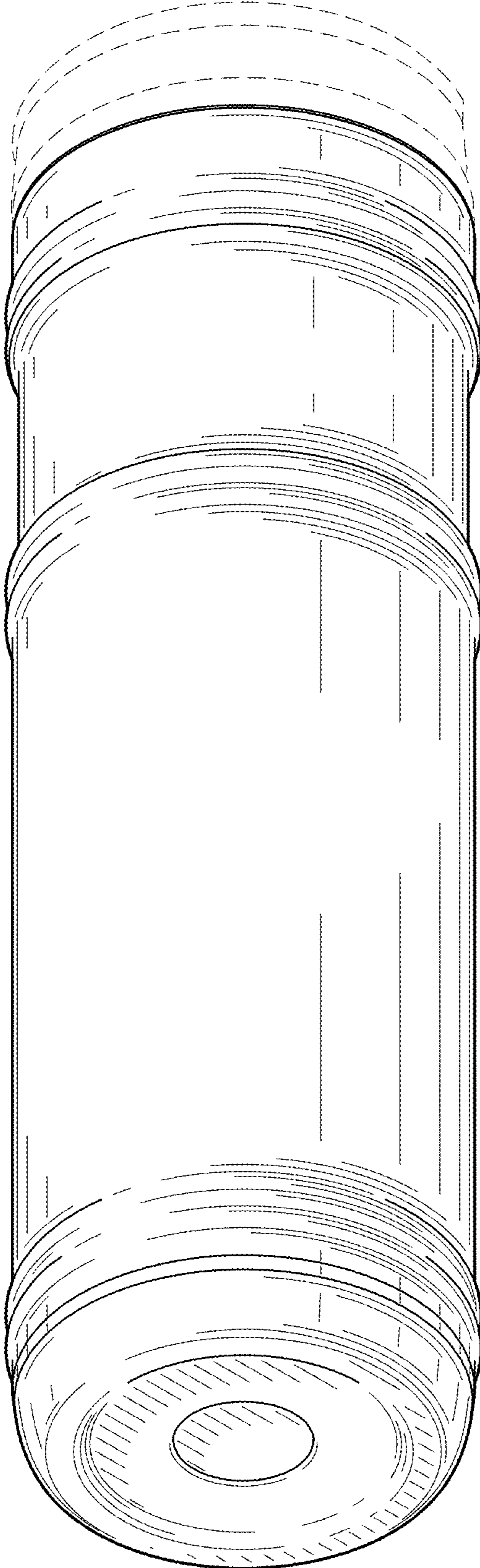


FIG. 2

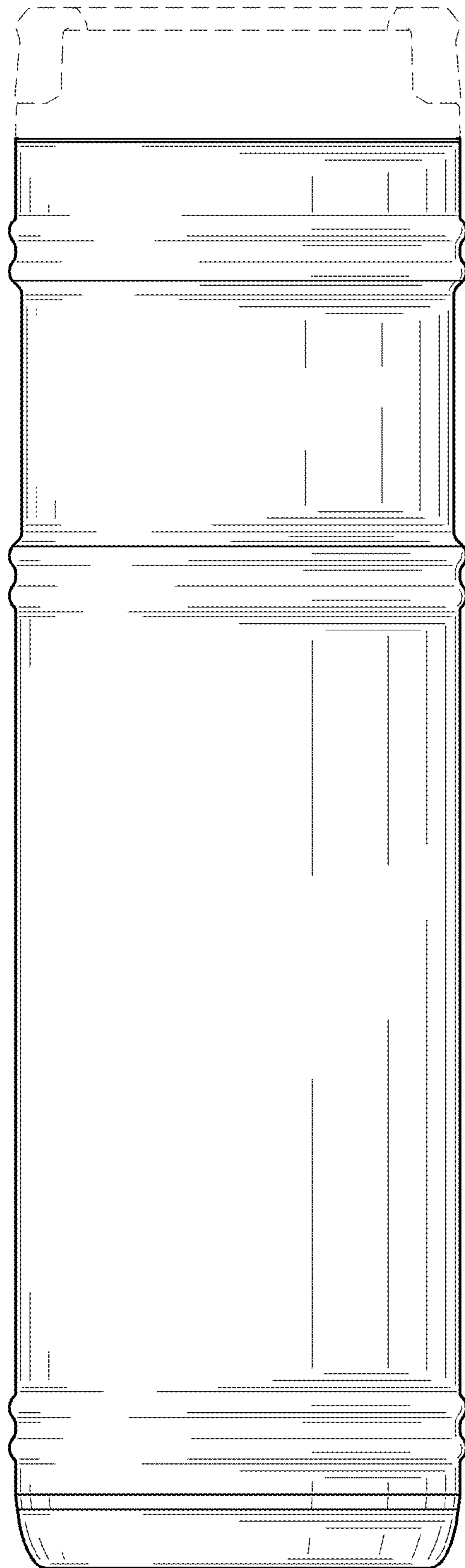


FIG. 3

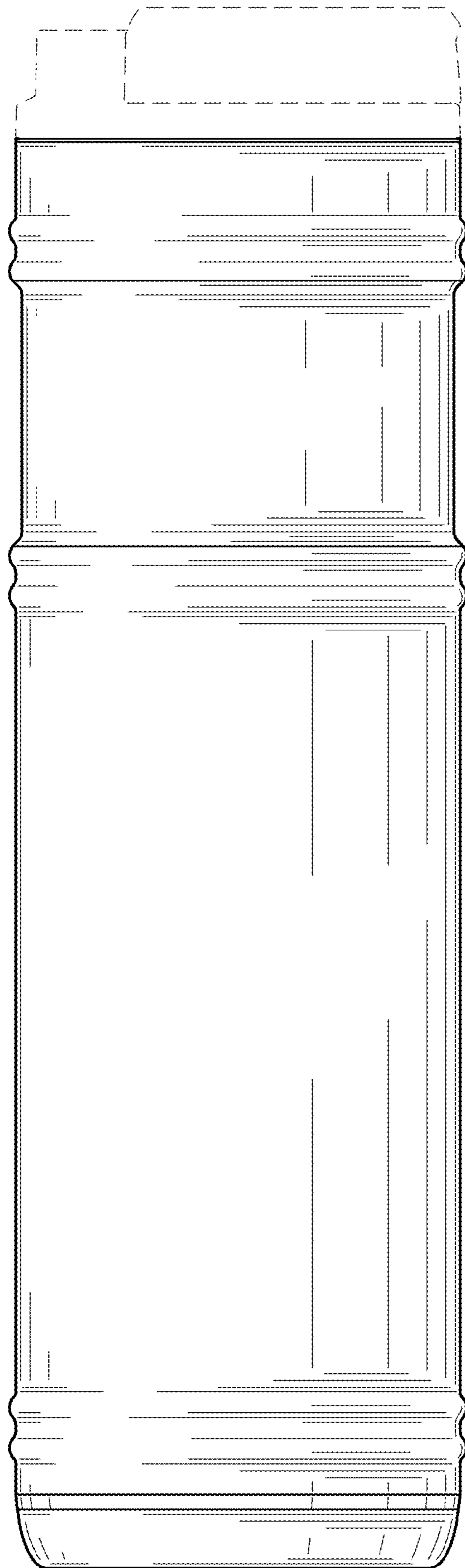


FIG. 4

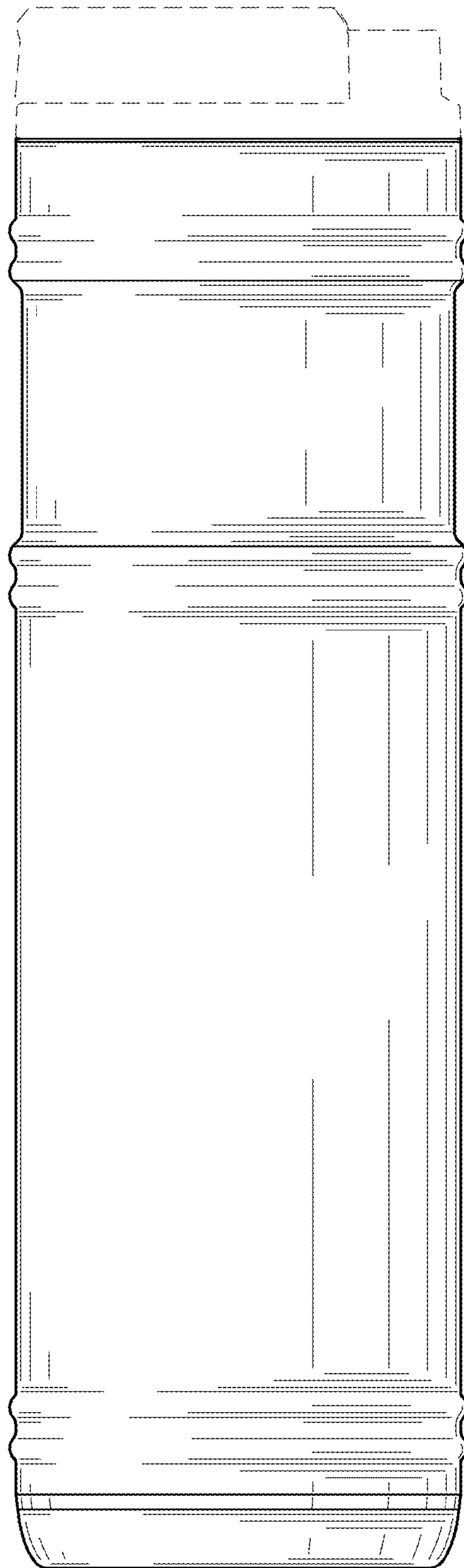


FIG. 5

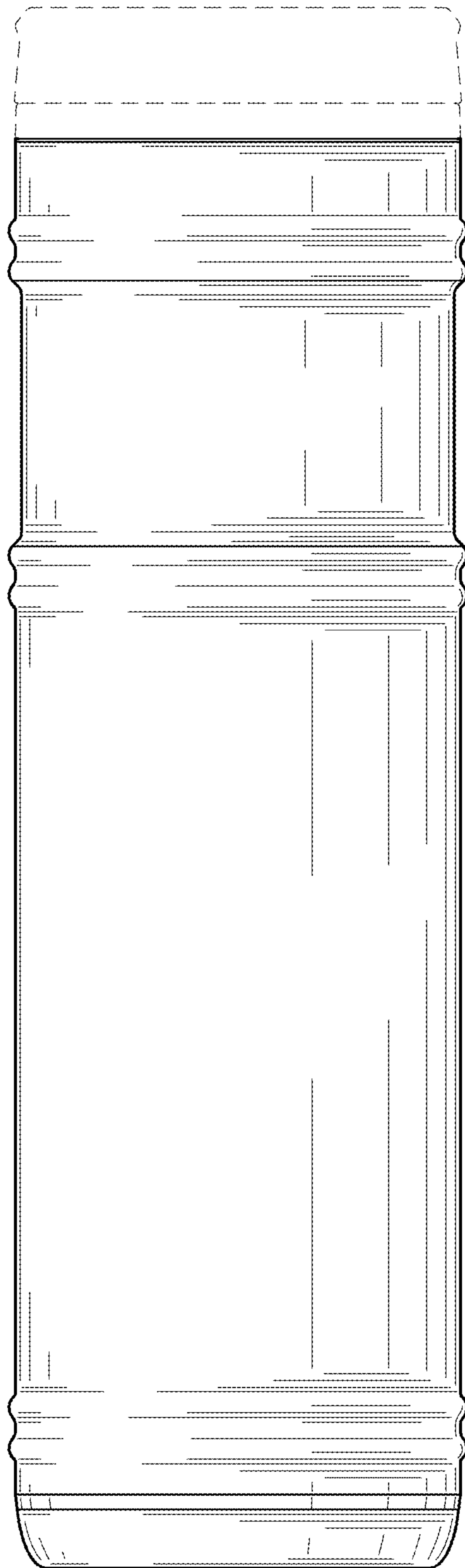


FIG. 6

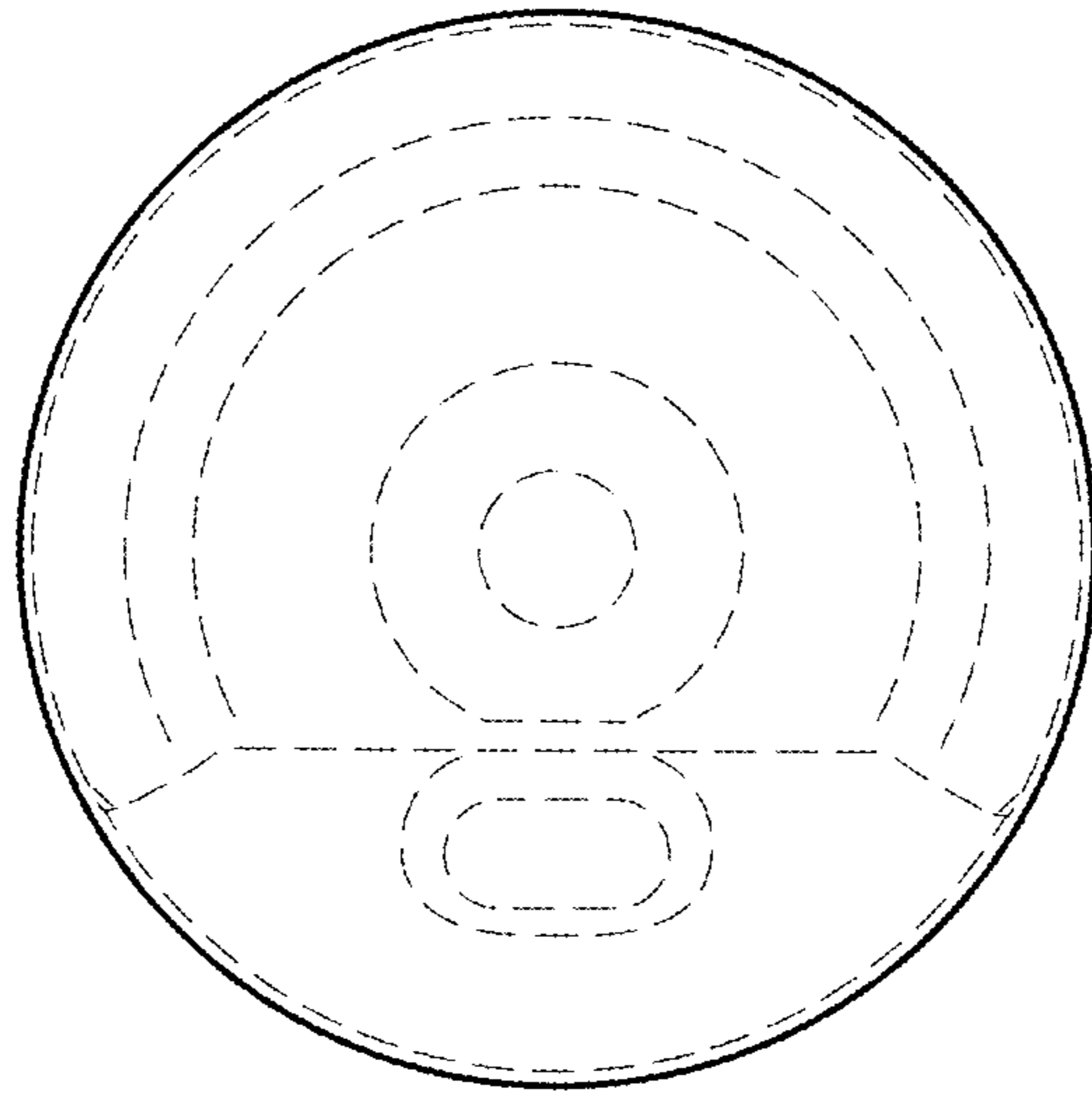


FIG. 7

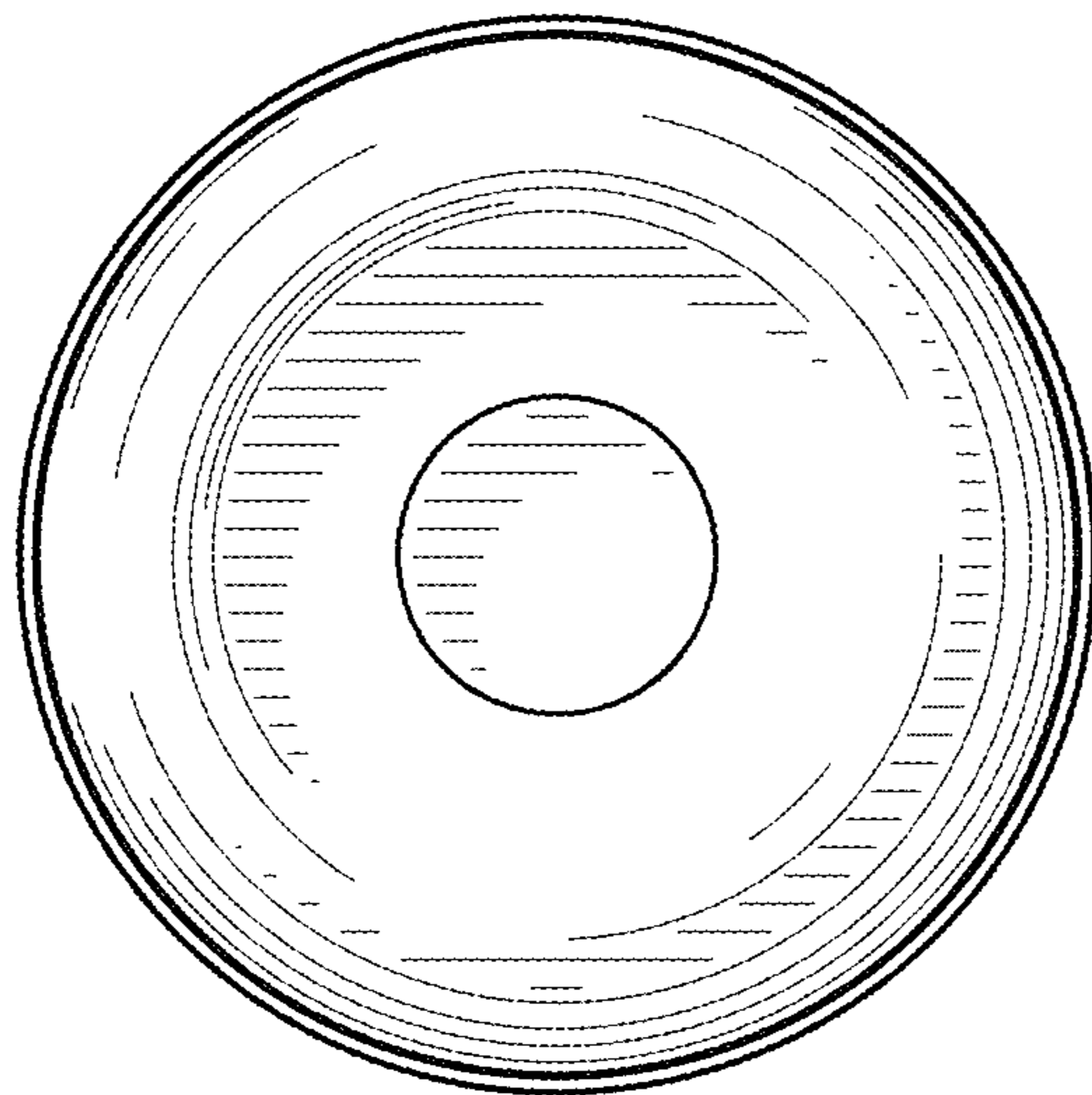


FIG. 8

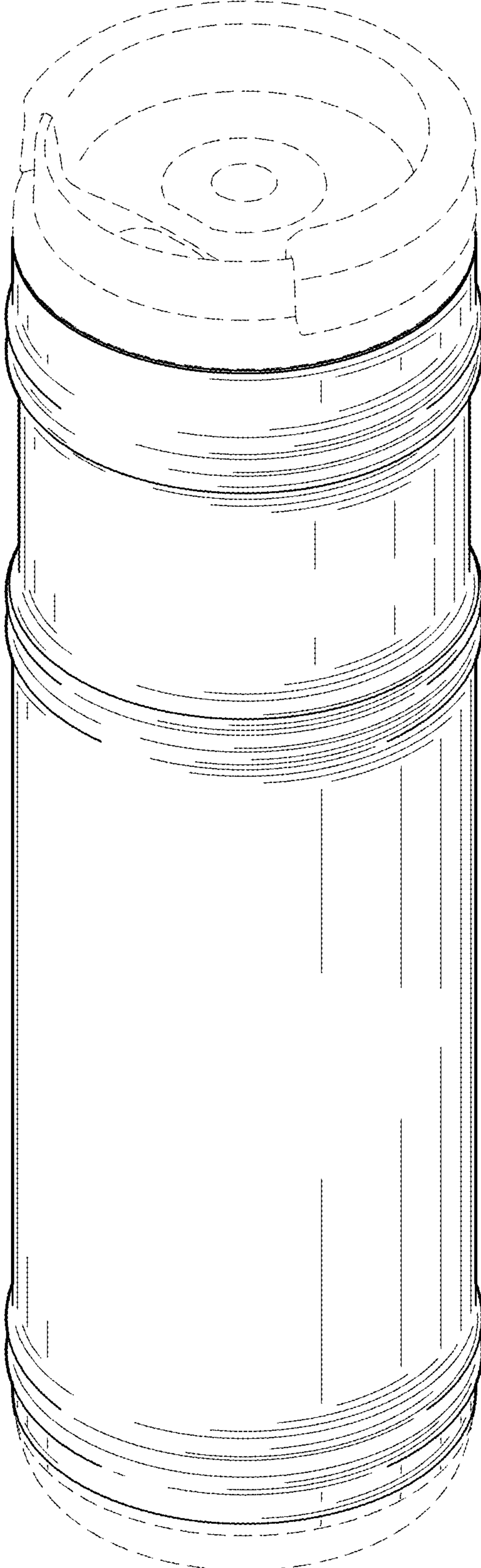


FIG. 9

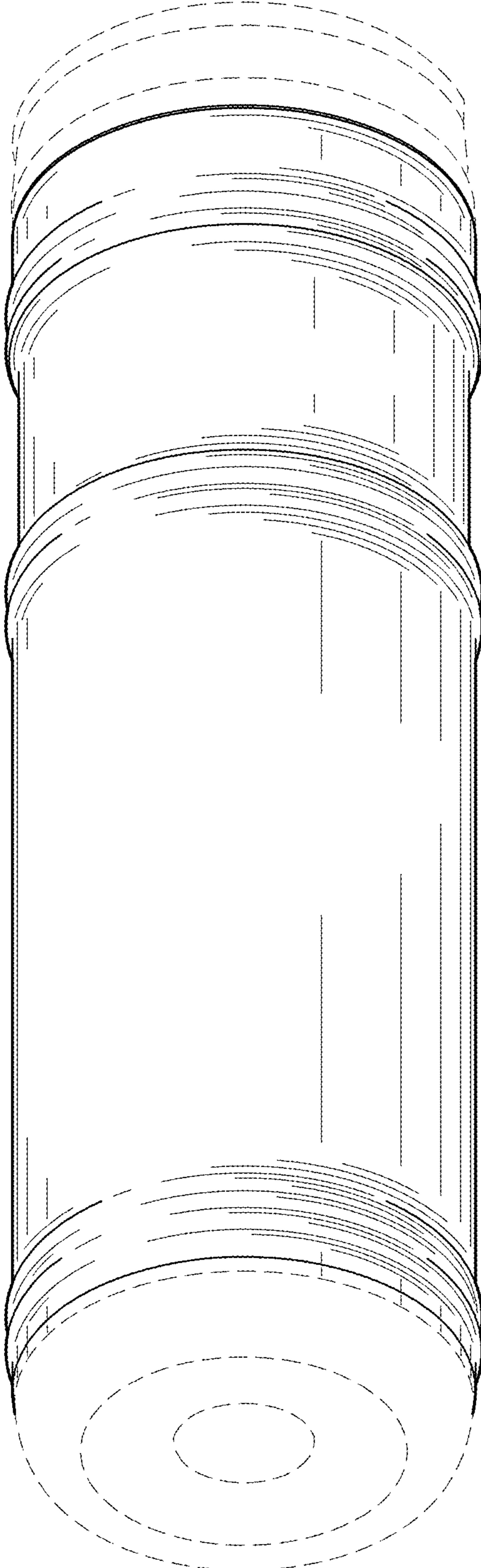


FIG. 10

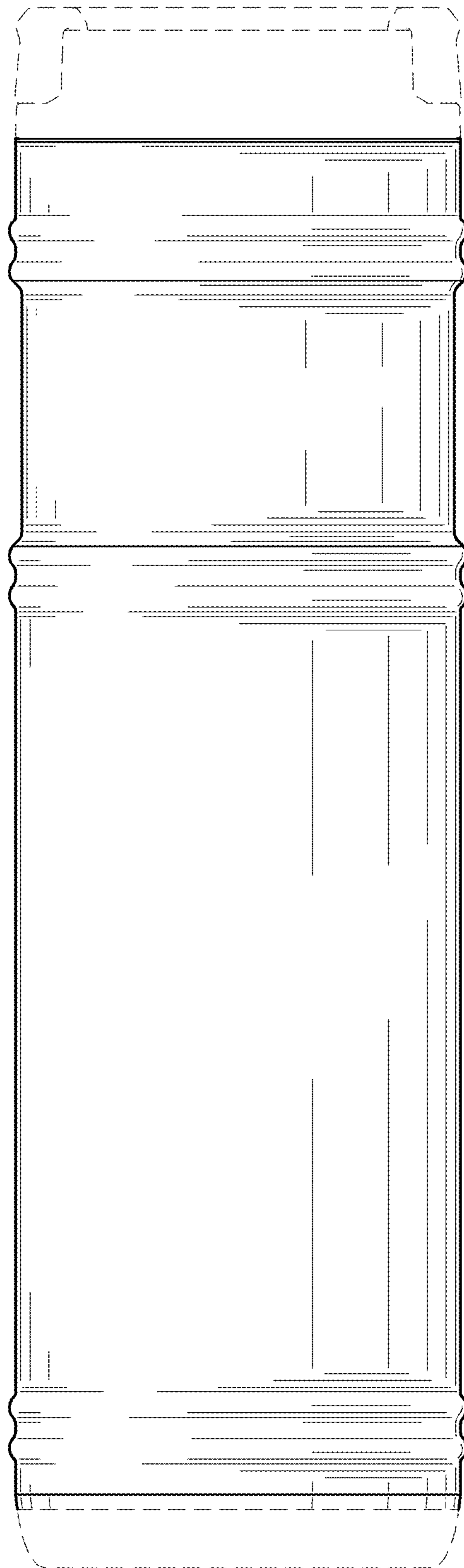


FIG. 11

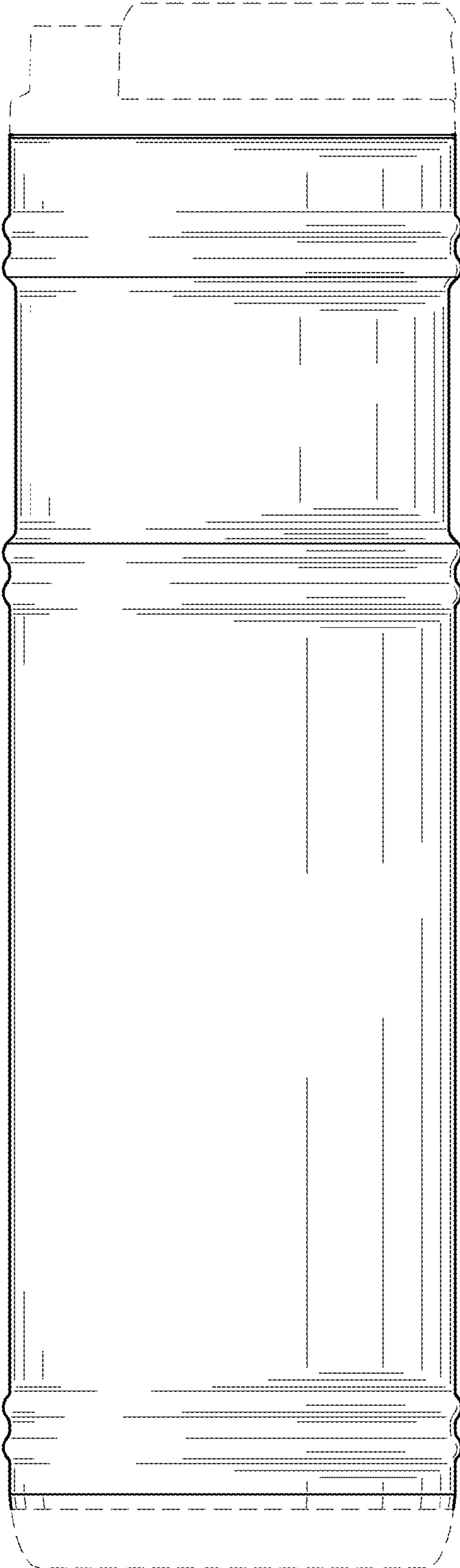


FIG. 12

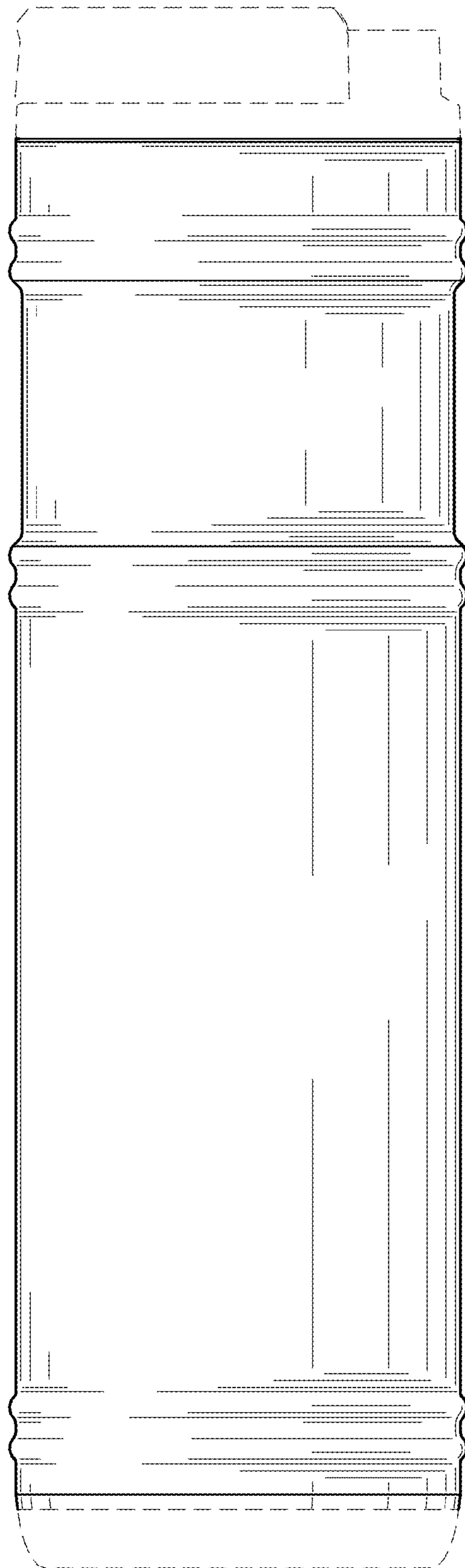


FIG. 13

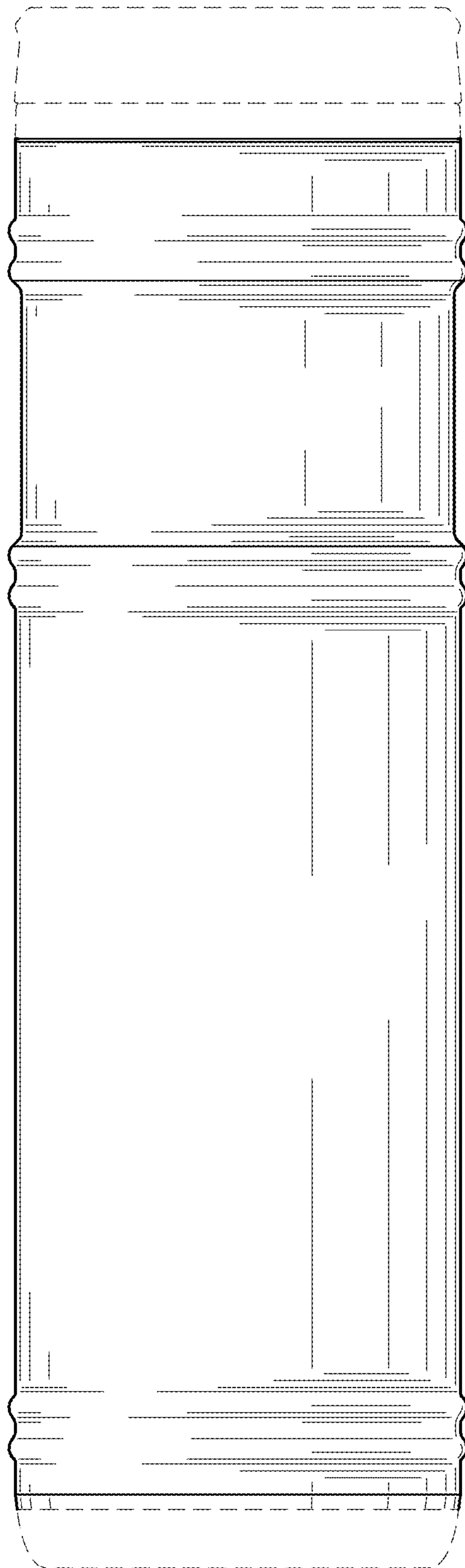


FIG. 14

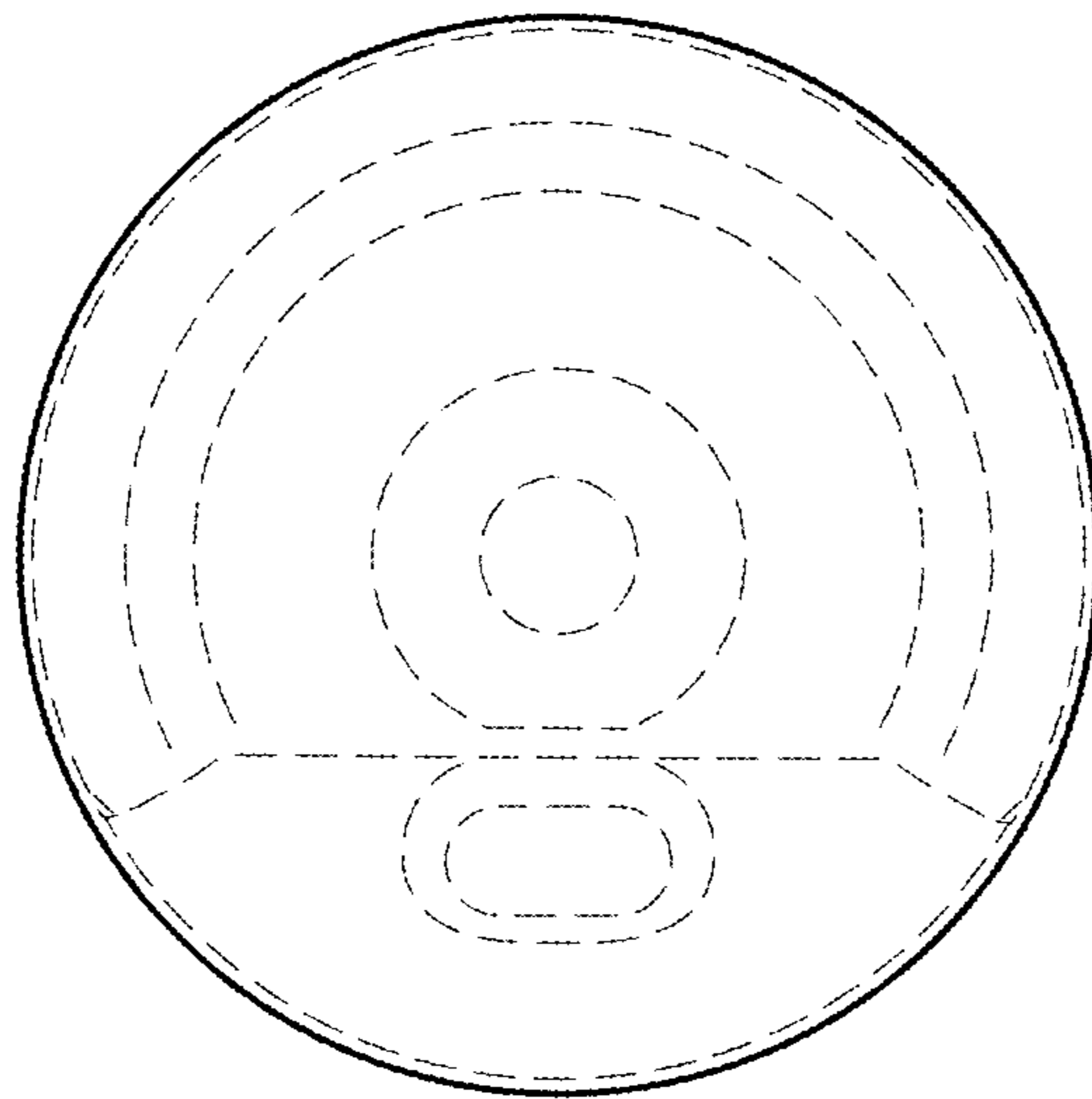


FIG. 15

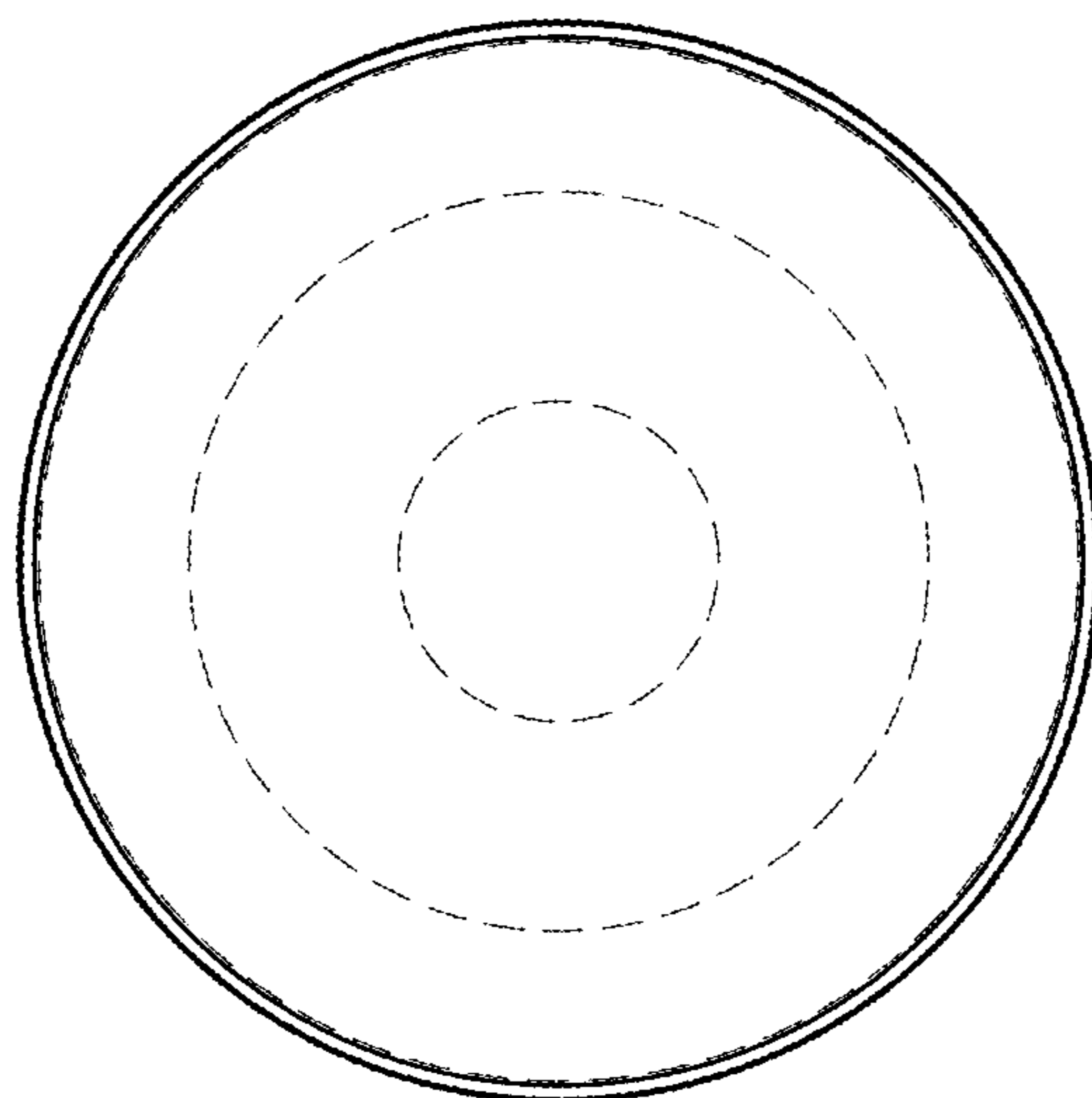


FIG. 16