



US00D970300S

(12) **United States Design Patent** (10) **Patent No.:** **US D970,300 S**
Mukri (45) **Date of Patent:** **** Nov. 22, 2022**

(54) **BAG**

(71) Applicant: **Kinara International Limited**, Sheung Wan (HK)

(72) Inventor: **Mohamed Bashir Mukri**, Guangzhou (CN)

(73) Assignee: **Kinara International Limited**, Sheung Wan (HK)

(**) Term: **15 Years**

(21) Appl. No.: **29/821,164**

(22) Filed: **Dec. 28, 2021**

Related U.S. Application Data

(63) Continuation of application No. 29/703,305, filed on Aug. 26, 2019, now Pat. No. Des. 941,635, which is (Continued)

(51) **LOC (13) Cl.** **07-01**

(52) **U.S. Cl.**
USPC **D7/607**; D3/217; D3/283; D3/289

(58) **Field of Classification Search**
USPC D3/201, 217, 273, 276, 279, 283, 285, D3/289, 290, 900, 902, 905, 257, 258; D7/605, 607

(Continued)

(56) **References Cited**

U.S. PATENT DOCUMENTS

D476,480 S * 7/2003 Hillman D3/273
D762,978 S 8/2016 Boroski

(Continued)

FOREIGN PATENT DOCUMENTS

CA 2949288 C 1/2017
CN 304108410 S 4/2017

OTHER PUBLICATIONS

Uber Eats Kit, "Large Backpack with Expanding Pizza Pocket", Accessed Jun. 14, 2021. (<https://www.ubereatskit.co.uk/gear/> <<http://www.ubereatskit.co.uk/gear/>> outrider-telescopic-bag_146_1077)(Year: 2021).

(Continued)

Primary Examiner — April Rivas

(74) *Attorney, Agent, or Firm* — Banner & Witcoff, Ltd.

(57) **CLAIM**

The ornamental design for a bag, as shown and described.

DESCRIPTION

FIG. 1 is a front perspective view of a bag showing my new design;

FIG. 2 is a front view thereof;

FIG. 3 is a rear view thereof;

FIG. 4 is a left side view thereof;

FIG. 5 is a right side view thereof;

FIG. 6 is a top view thereof;

FIG. 7 is a bottom view thereof;

FIG. 8 is a front perspective view of the bag of FIGS. 1-7 with the pockets shown in an expanded state;

FIG. 9 is a front view thereof;

FIG. 10 is a rear view thereof;

FIG. 11 is a left side view thereof;

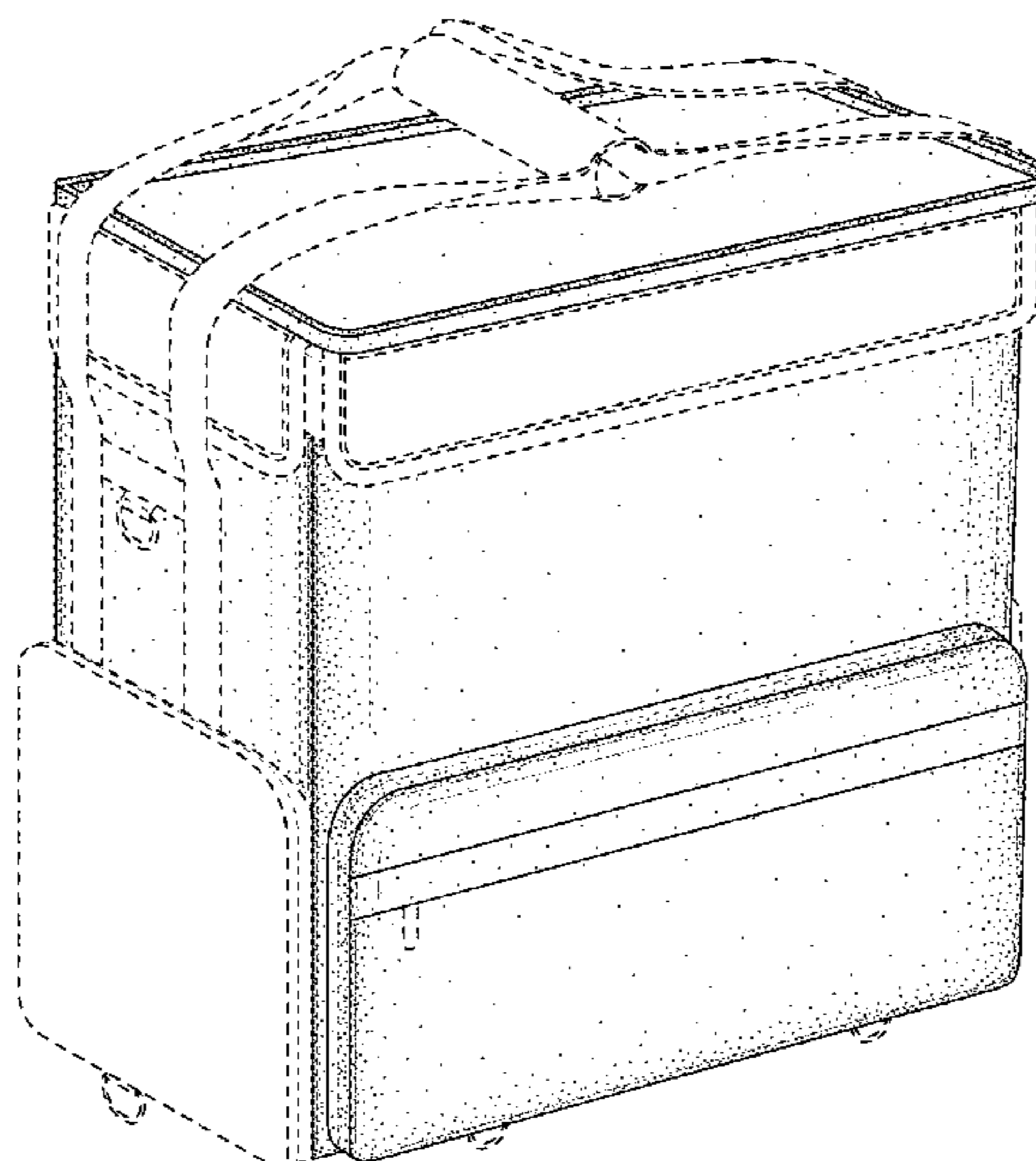
FIG. 12 is a right side view thereof;

FIG. 13 is a top view thereof; and,

FIG. 14 is a bottom view thereof.

The broken lines in the areas between the lower panels and the body of the bag represent panel seams and form no part of the claimed design. The broken line defined areas and the unshaded regions therein representing the upper three flaps, the bottom of the bag, and the side pockets form no part of the claimed design. The unshaded rear portion of the bag forms no part of the claimed design. The broken lines depicting the straps, rings, zipper pulls, and other elements on the remainder of the bag show features that form no part of the claimed design.

1 Claim, 14 Drawing Sheets



Related U.S. Application Data

a continuation of application No. 29/697,074, filed on Jul. 3, 2019, now Pat. No. Des. 932,179.

(58) **Field of Classification Search**

CPC A45C 2003/008; A45C 2005/035; B25H 3/02

See application file for complete search history.

D902,582 S	11/2020	Huang et al.	
D911,710 S	3/2021	Karalis	
D917,874 S	5/2021	Zhang	
D918,583 S	5/2021	Fu	
D932,179 S *	10/2021	Mukri	D3/217
D941,635 S *	1/2022	Mukri	D3/217
2010/0018241 A1 *	1/2010	McCoy	A45C 7/0077 62/457.7
2011/0168598 A1 *	7/2011	Rees	B65D 11/186 206/505

(56) **References Cited**

U.S. PATENT DOCUMENTS

D834,817 S	12/2018	Hoppe et al.	
D845,625 S	4/2019	Barlier	
D861,335 S	10/2019	Barlier	
D871,854 S	1/2020	Vickery	
D880,858 S *	4/2020	Wang	D3/287
D883,667 S *	5/2020	Barlier	D3/285
D893,183 S	8/2020	Eisenhardt et al.	

OTHER PUBLICATIONS

Sora News 24, "Amazon Japan are selling Uber Eats backpacks and they're surprisingly useful", Posted Oct. 9, 2020. (<https://soranews24.com/2020/10/09/amazon-japan-are-selling-uber-eats-backpacks-and-theyre-surprisingly-useful/>) (Year: 2020).

* cited by examiner

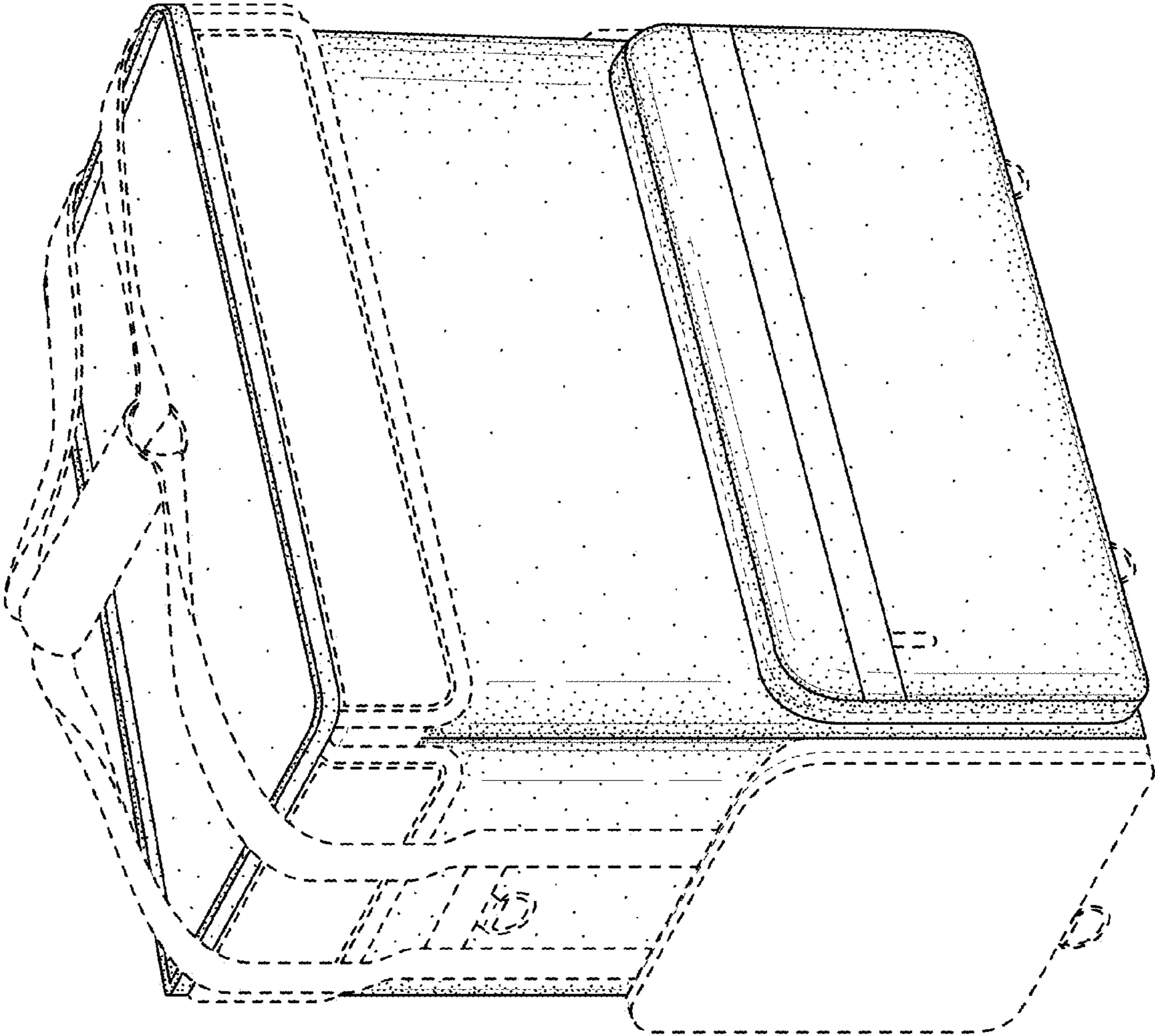


FIG. 1

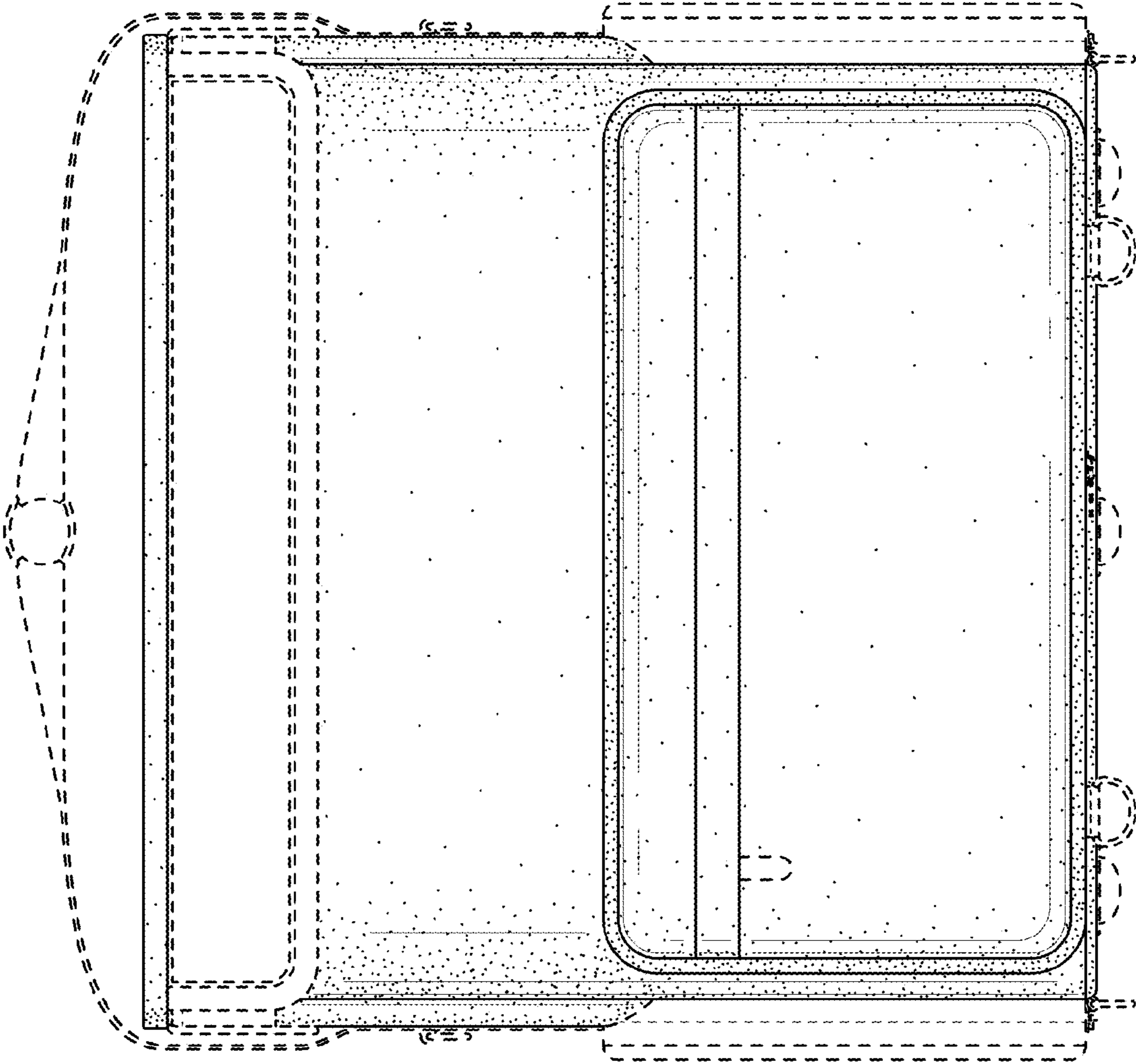


FIG. 2

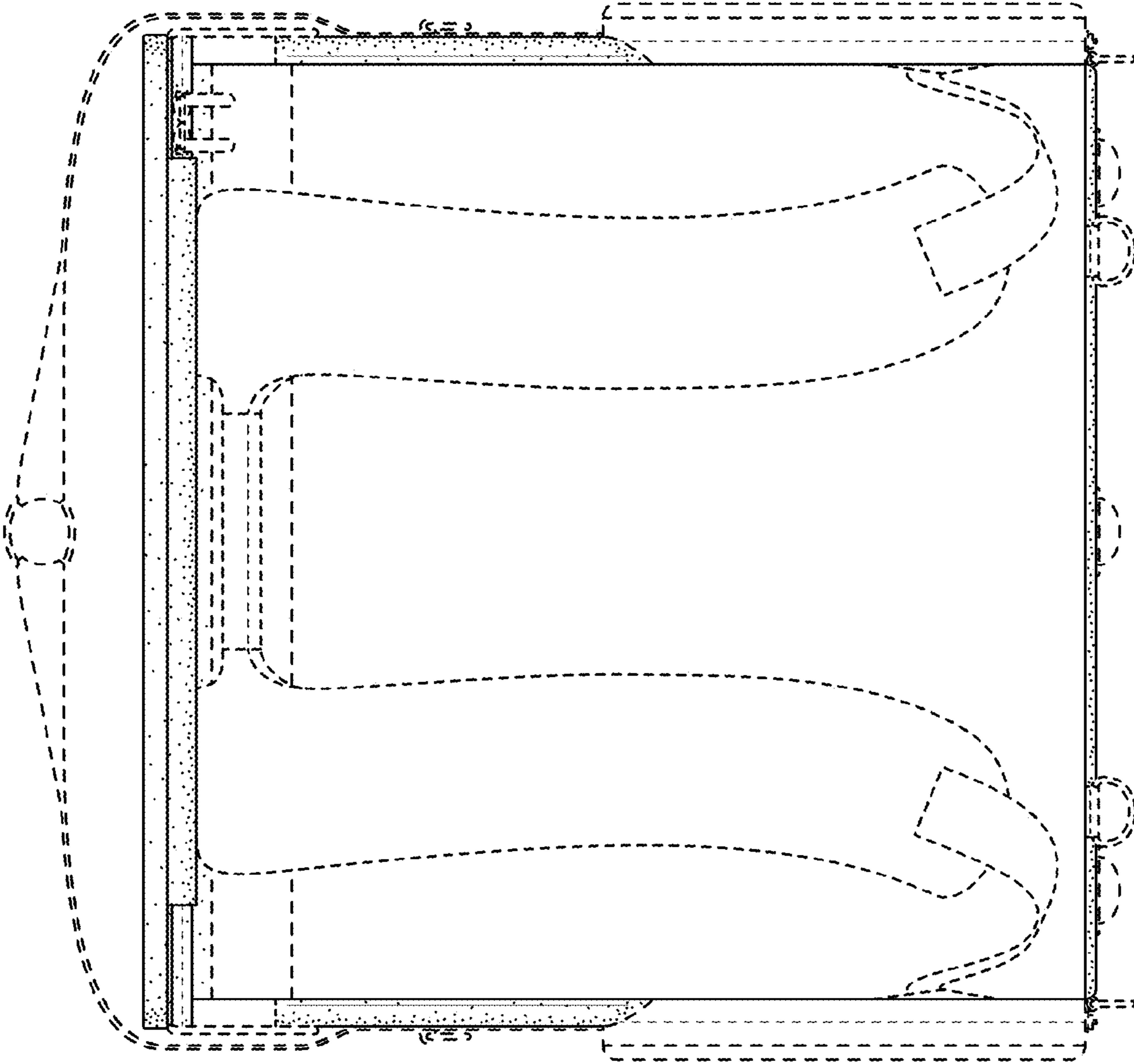


FIG. 3

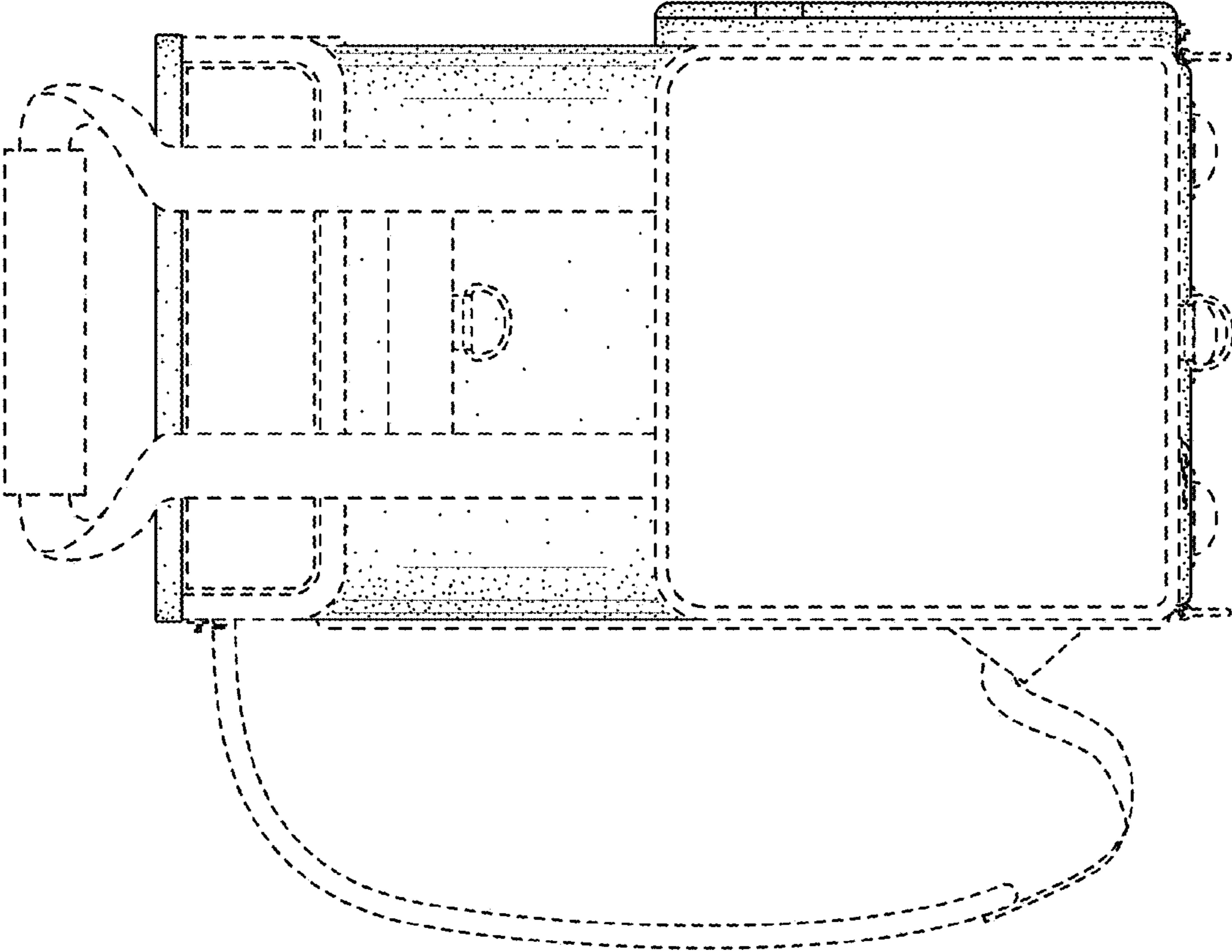


FIG. 4

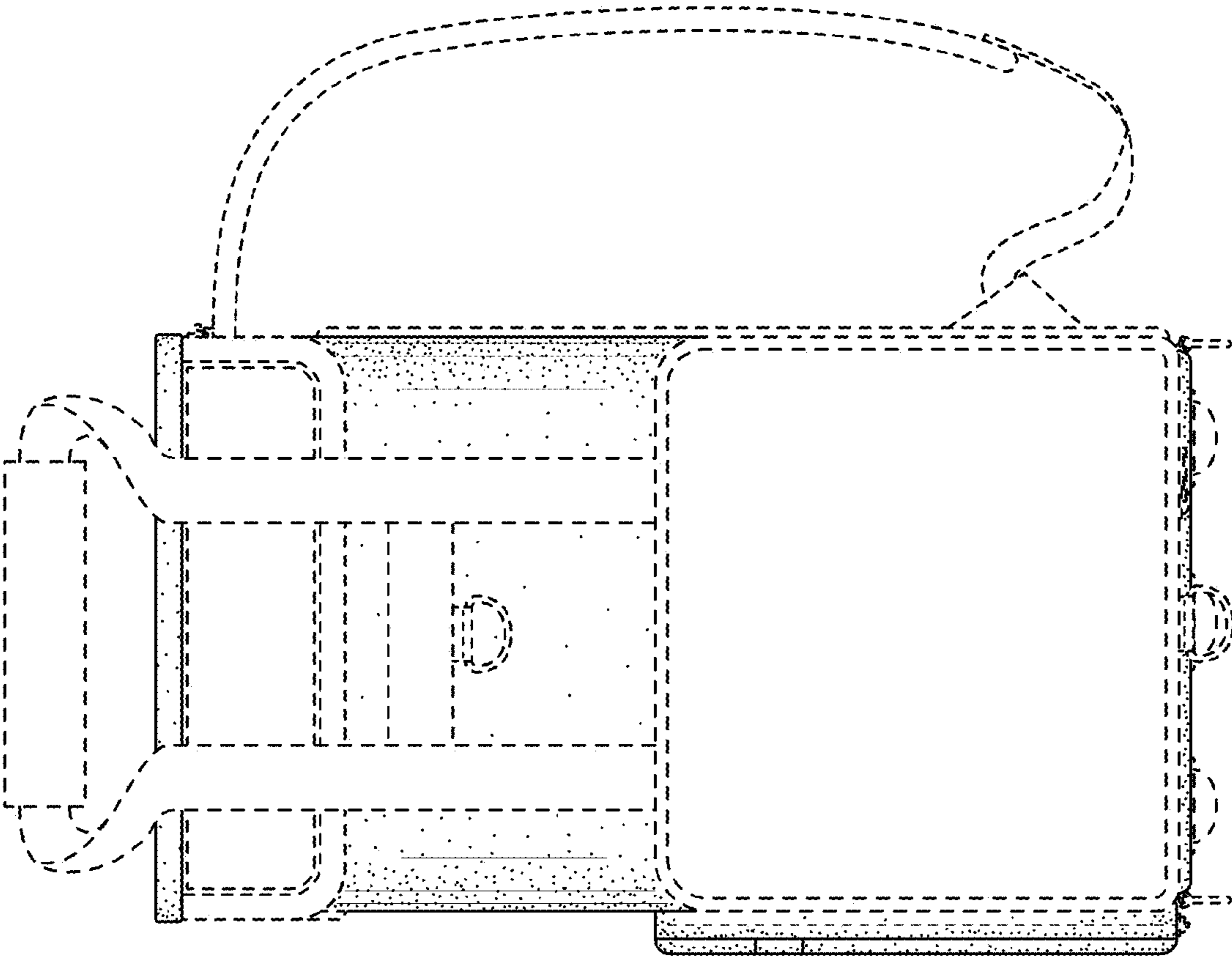


FIG. 5

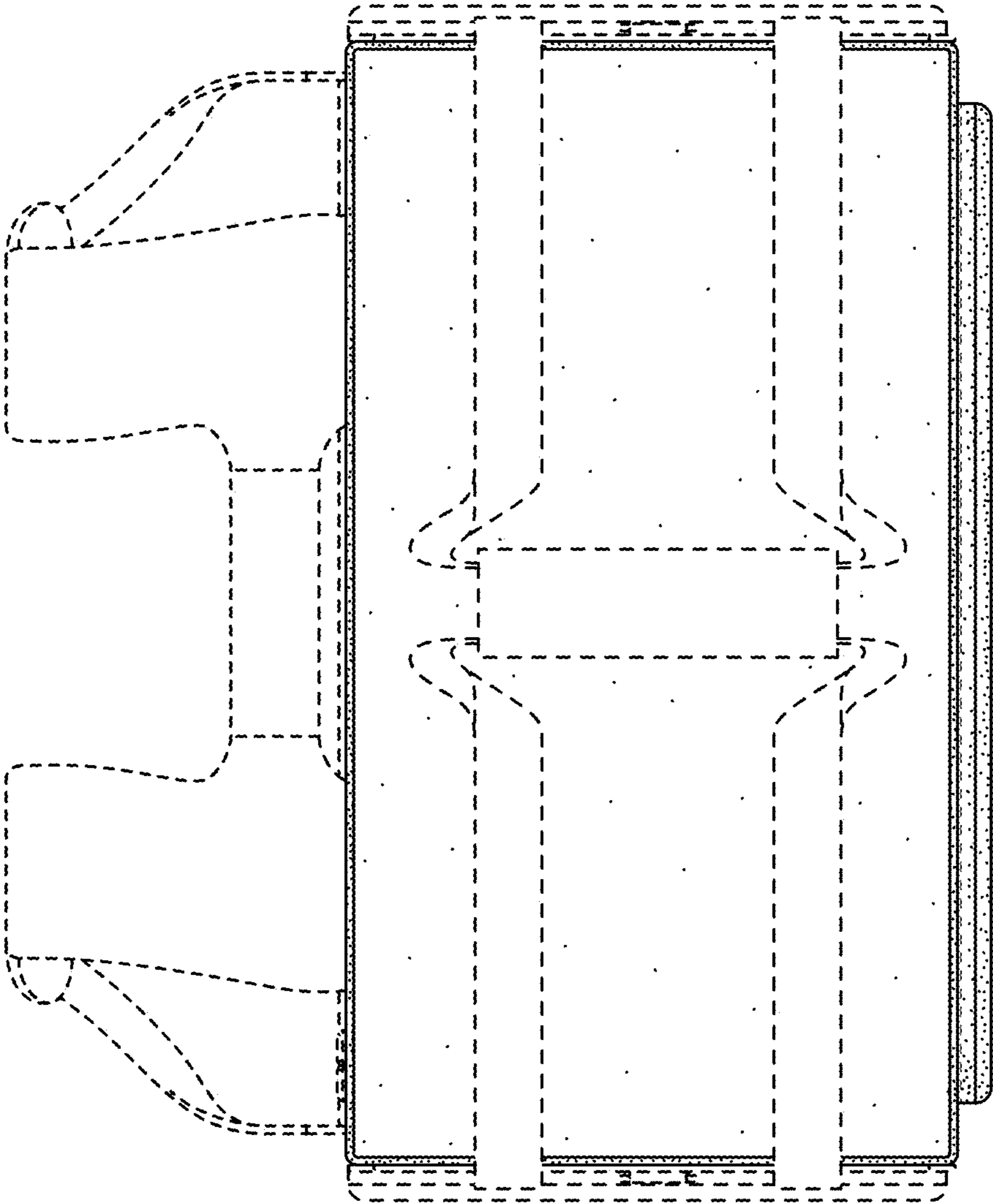


FIG. 6

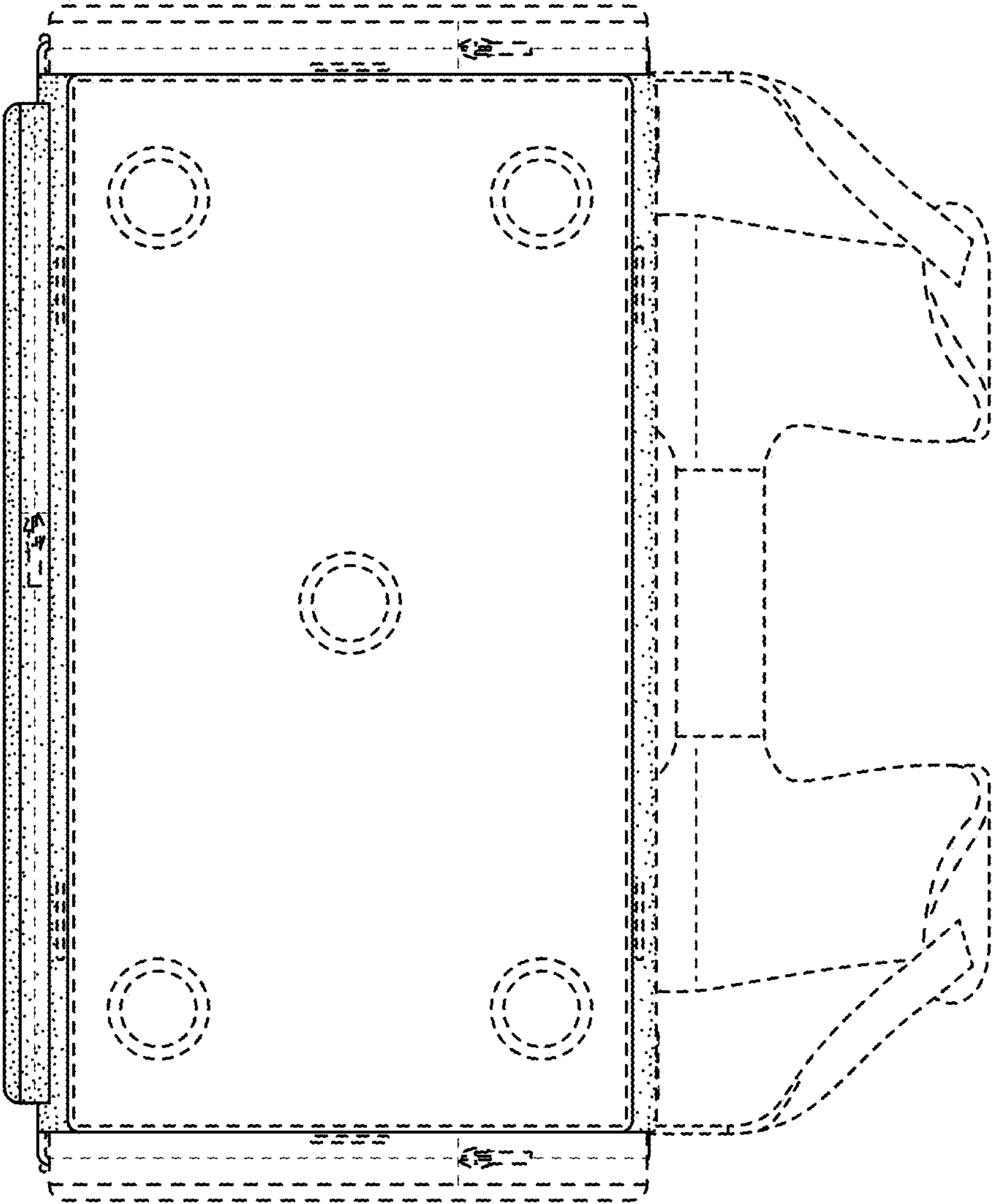


FIG. 7

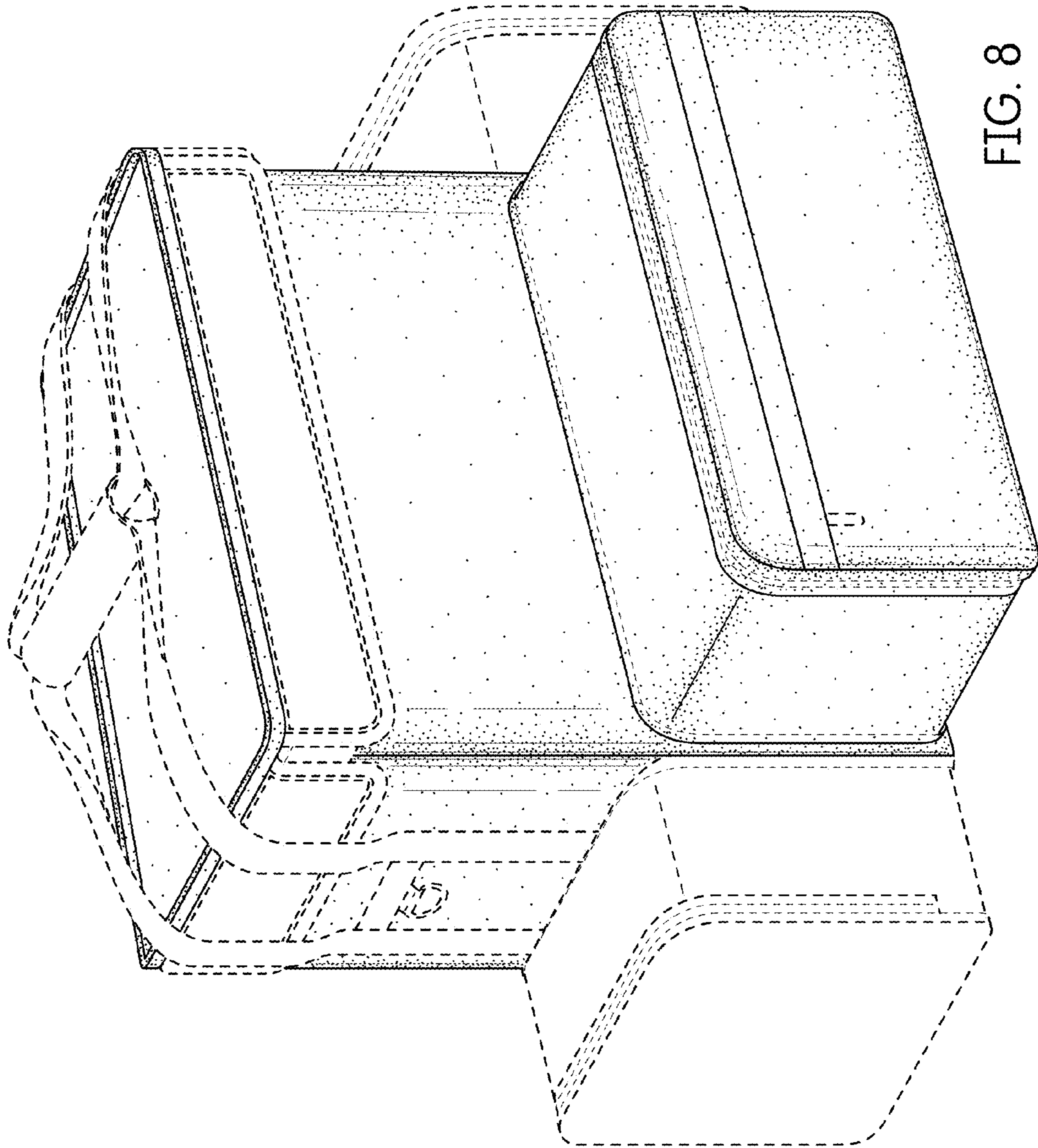


FIG. 8

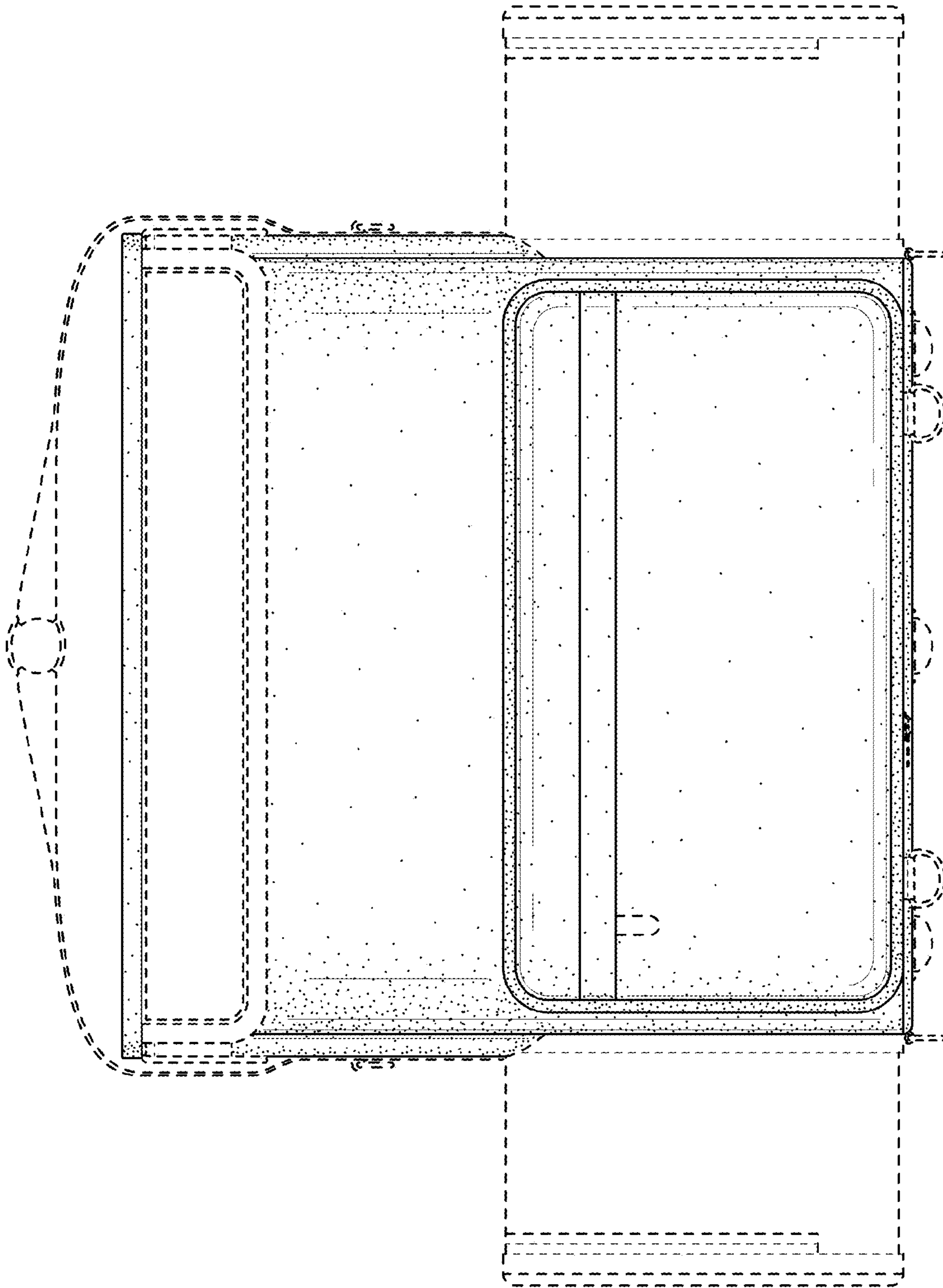


FIG. 9

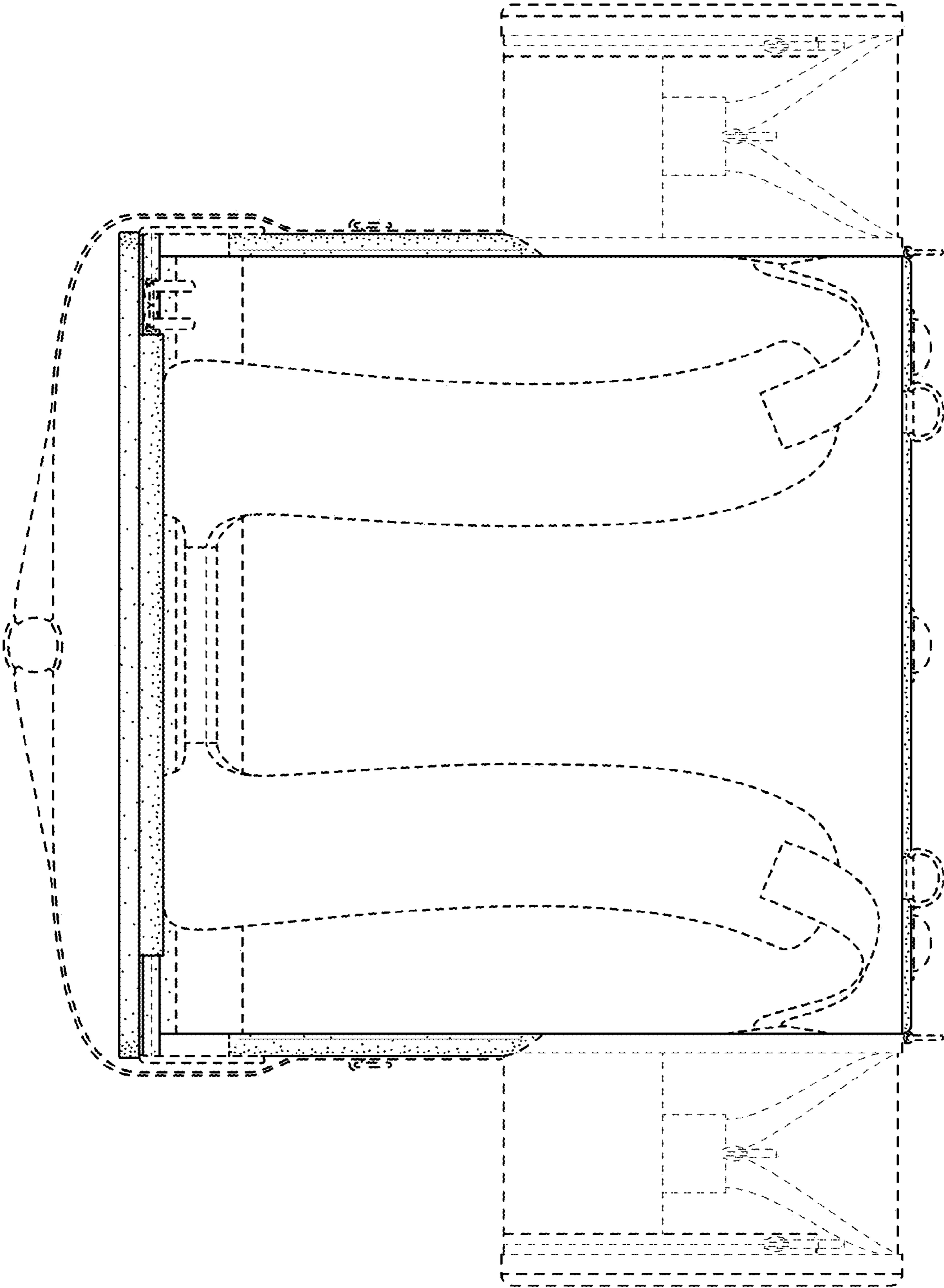


FIG. 10

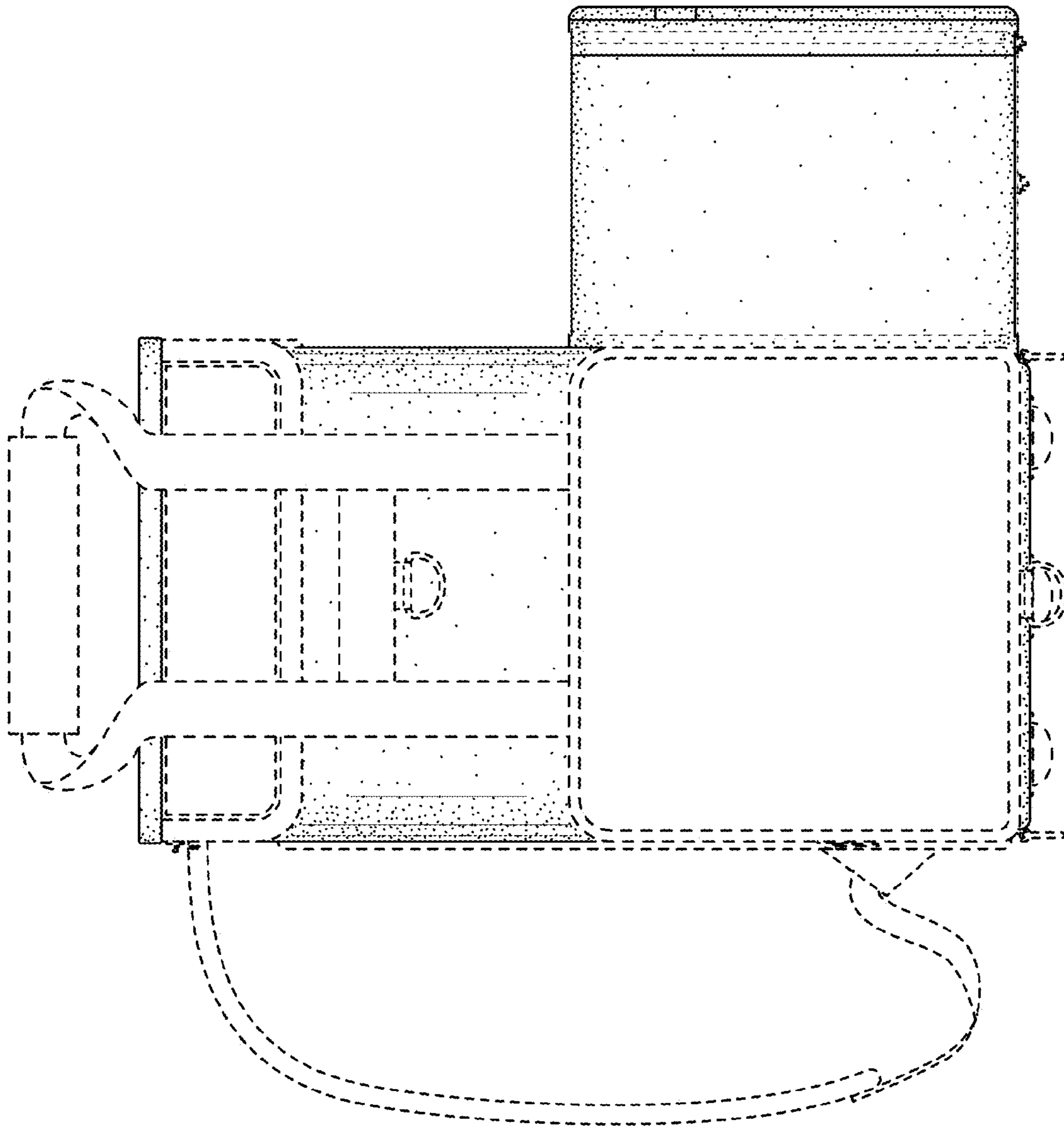


FIG. 11

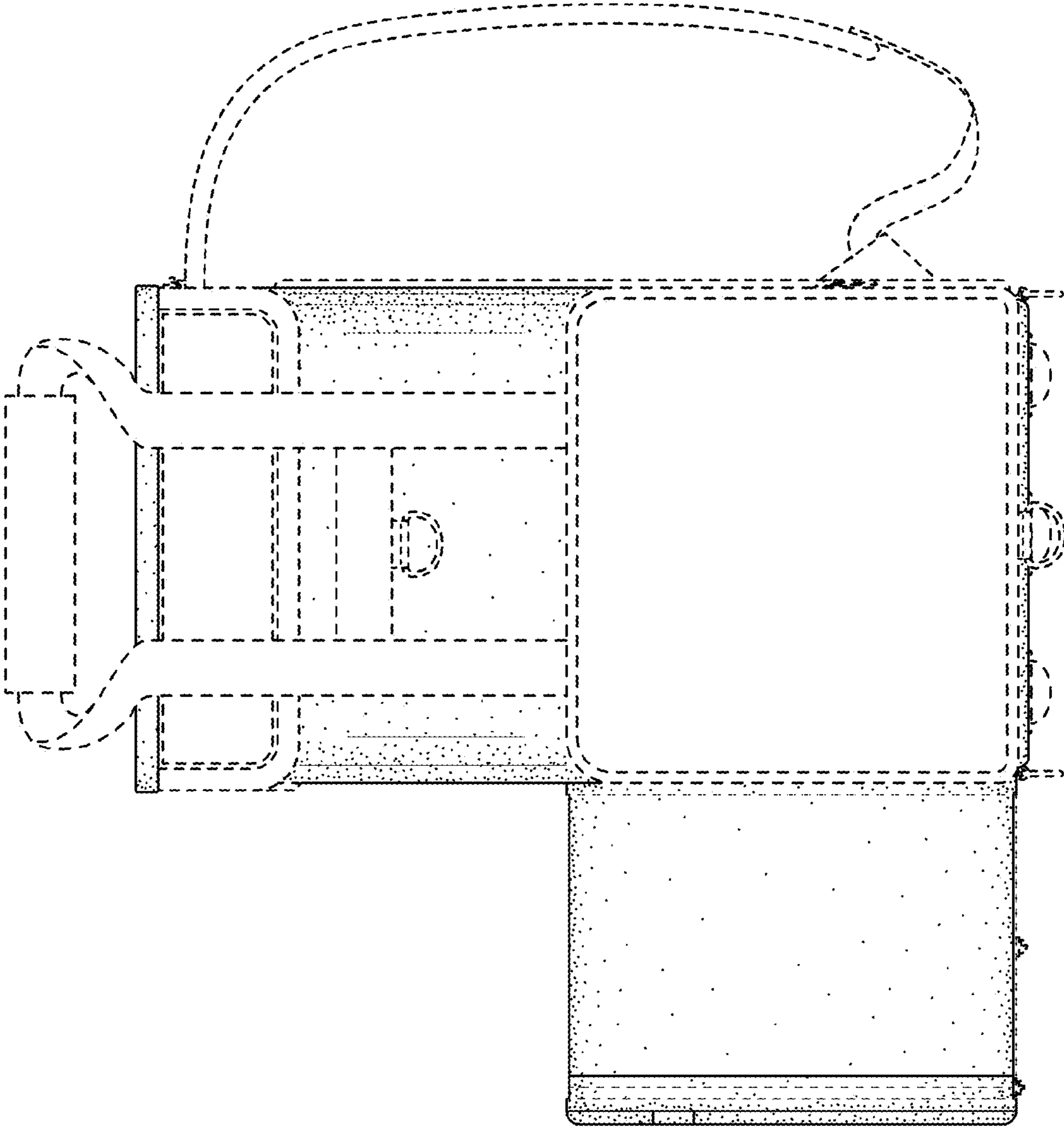


FIG. 12

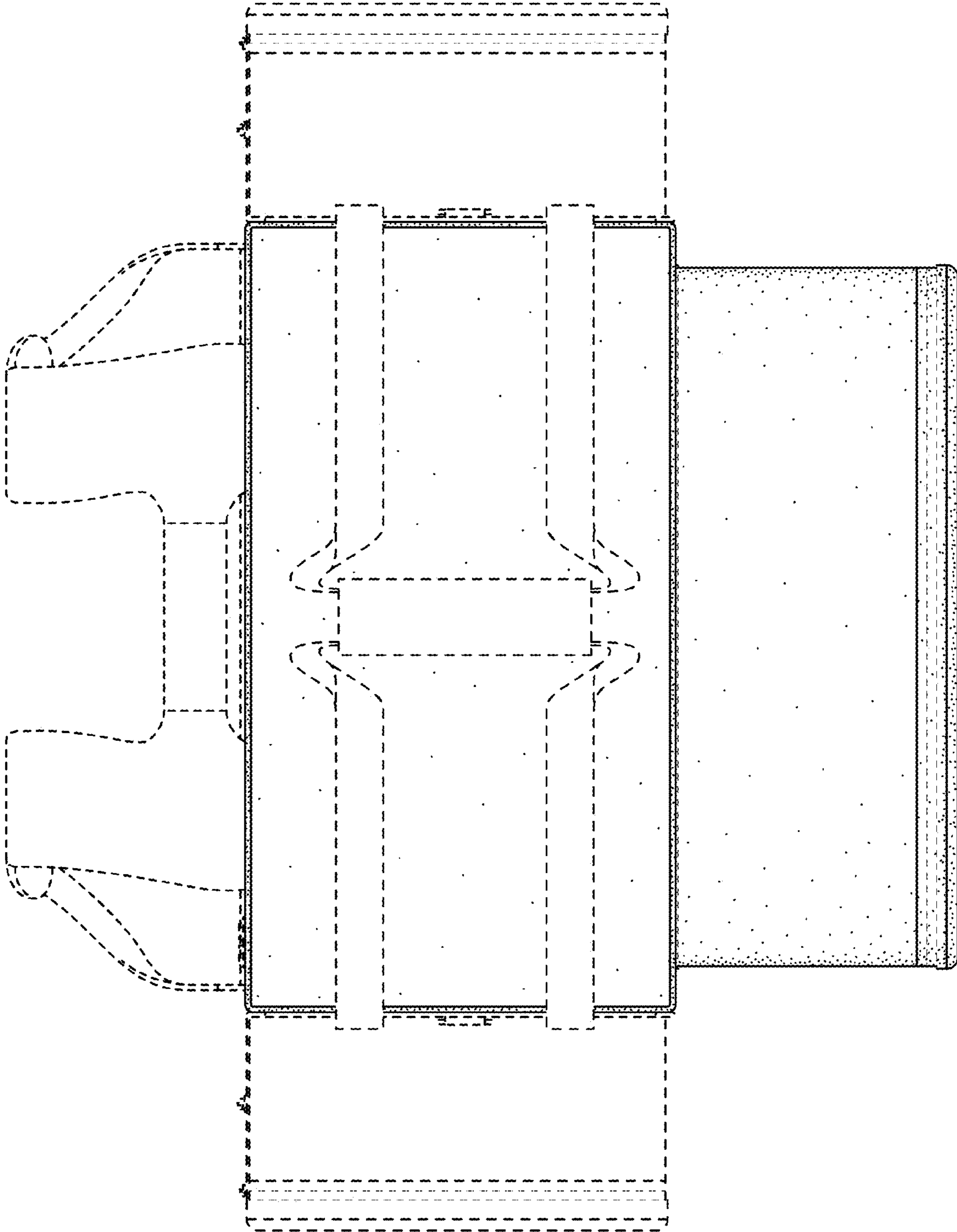


FIG. 13

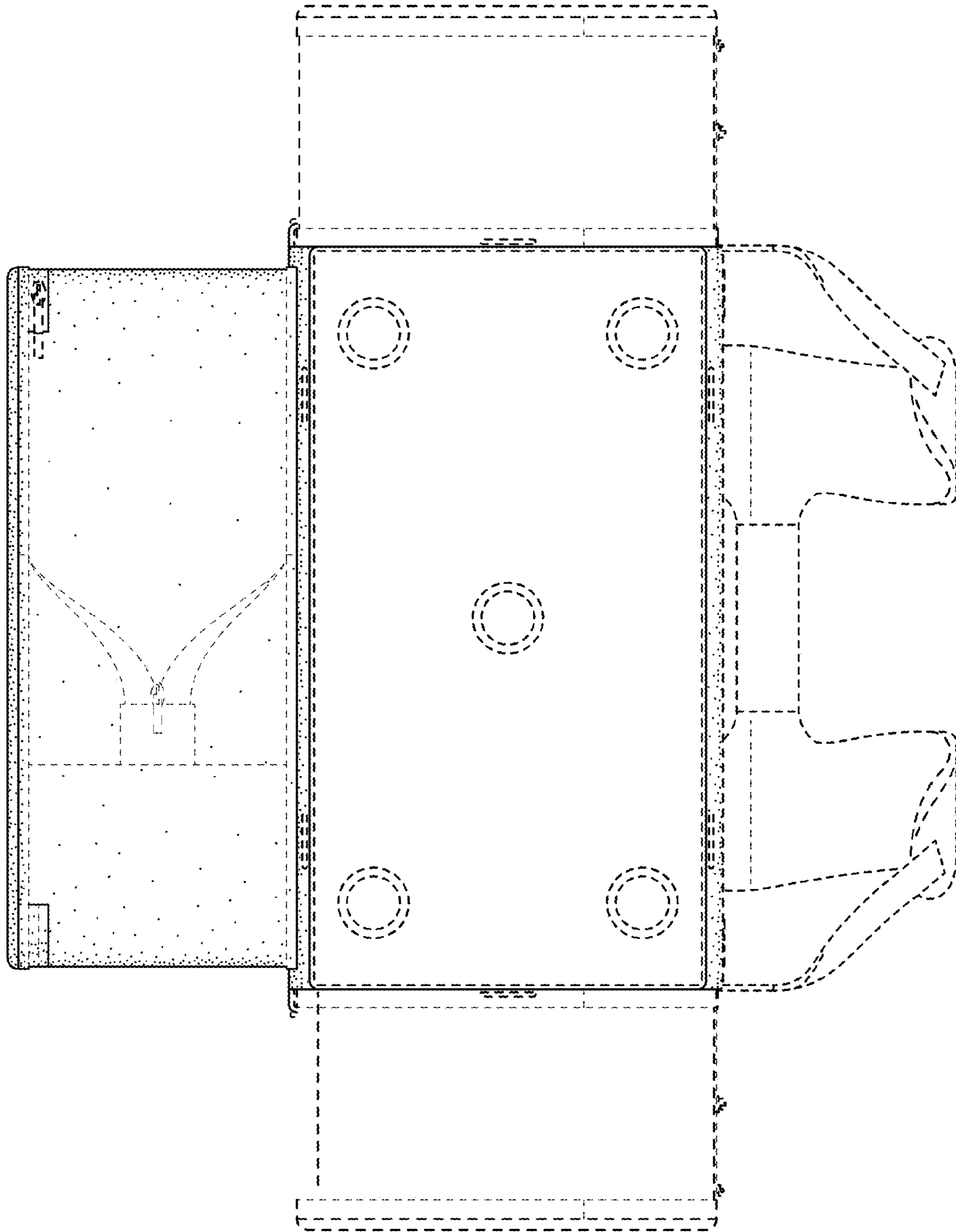


FIG. 14