



US00D970296S

(12) **United States Design Patent** (10) **Patent No.:** **US D970,296 S**  
**Zhang** (45) **Date of Patent:** **\*\* Nov. 22, 2022**

(54) **SLIDING TRAY**  
(71) Applicant: **Shenzhen Xiaomei Youpin Technology Co. Ltd, Shenzhen (CN)**  
(72) Inventor: **Bo Zhang, Shenzhen (CN)**  
(73) Assignee: **Shenzhen Xiaomei Youpin Technology Co. Ltd, Shenzhen (CN)**  
(\*\*) Term: **15 Years**  
(21) Appl. No.: **29/778,518**  
(22) Filed: **Apr. 13, 2021**  
(51) **LOC (13) Cl.** ..... **07-01**  
(52) **U.S. Cl.**  
USPC ..... **D7/554.3**  
(58) **Field of Classification Search**  
USPC ..... D7/550.1, 551.1, 552.1, 552.2, 553.2,  
D7/553.5, 554.3, 601-602, 396.1, 397,  
D7/401.1; D28/61, 73  
CPC ..... A47G 19/02; A47G 19/30; A47G 21/08;  
A47G 23/06; A47G 23/0608; B65D 1/34;  
B65D 1/00  
See application file for complete search history.

D662,100 S \* 6/2012 Van Den Nieuwenhuizen .....  
D14/440  
D692,420 S \* 10/2013 McManigal ..... D14/341  
D694,046 S \* 11/2013 Walter ..... D6/705  
D788,546 S \* 6/2017 McClaskey ..... D7/619.1  
D829,046 S \* 9/2018 Alix ..... D7/397  
D855,452 S \* 8/2019 Palacios ..... D9/418  
D865,452 S \* 11/2019 Hertaus ..... D7/554.3  
D871,156 S \* 12/2019 Veldkamp ..... D7/554.3  
D871,158 S \* 12/2019 Redjal ..... D7/584  
D876,899 S \* 3/2020 Pawluskiewicz ..... D7/554.3  
D884,988 S \* 5/2020 Wu ..... D30/121  
D907,442 S \* 1/2021 Morhauser ..... D7/552.2  
D907,965 S \* 1/2021 Pawluskiewicz ..... D7/554.3  
D922,161 S \* 6/2021 Wu ..... D7/698  
D945,221 S \* 3/2022 Palles ..... D7/554.3

\* cited by examiner

*Primary Examiner* — Kelley A Donnelly  
(74) *Attorney, Agent, or Firm* — ScienBiziP, P.C.

(57) **CLAIM**

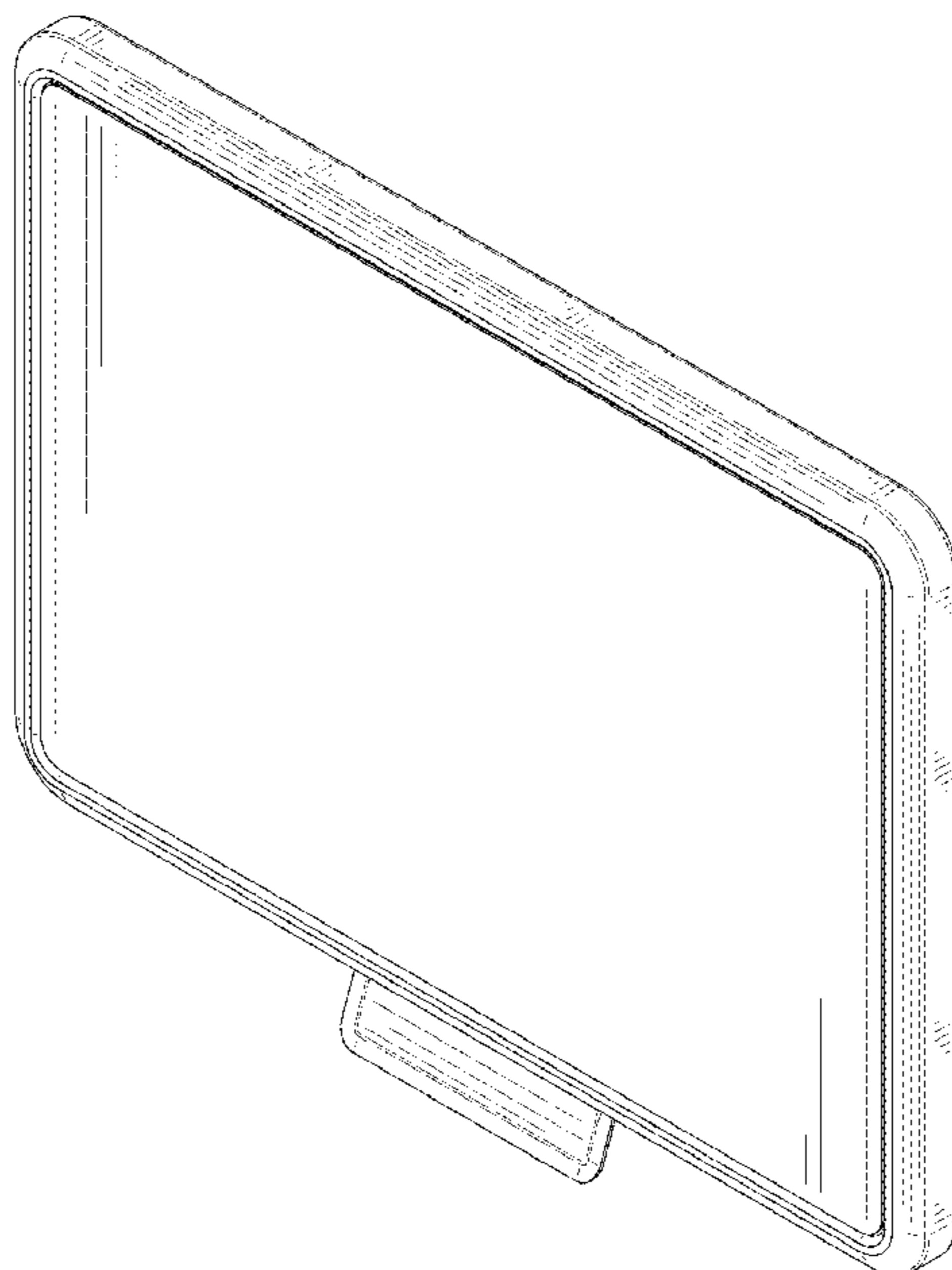
The ornamental design for a sliding tray, as shown and described.

**DESCRIPTION**

FIG. 1 is a first front perspective view of a sliding tray showing my design.  
FIG. 2 is a bottom rear perspective view of the sliding tray.  
FIG. 3 is a front elevation view thereof.  
FIG. 4 is a rear elevation view thereof.  
FIG. 5 is a left side elevation view thereof.  
FIG. 6 is a right side elevation view thereof.  
FIG. 7 is a top plan view thereof; and,  
FIG. 8 is a bottom plan view thereof.  
The broken lines in the drawings are employed to show unclaimed portions of the sliding tray, and form no part of the claimed design.

**1 Claim, 8 Drawing Sheets**

(56) **References Cited**  
U.S. PATENT DOCUMENTS  
2,669,495 A \* 2/1954 Foote ..... A47C 7/68  
108/157.11  
D192,036 S \* 1/1962 Raymond ..... D7/552.1  
D257,296 S \* 10/1980 White ..... D7/552.2  
D347,360 S \* 5/1994 Wheeler ..... D7/553.3  
D380,190 S \* 6/1997 Slayter ..... D12/425  
D392,956 S \* 3/1998 Gillis ..... D14/457  
D434,606 S \* 12/2000 Reames ..... D7/552.1  
D472,428 S \* 4/2003 Massaloux ..... D7/554.3  
D548,004 S \* 8/2007 Orr, Jr. .... D7/390  
D578,352 S \* 10/2008 Hauser ..... D7/552.2



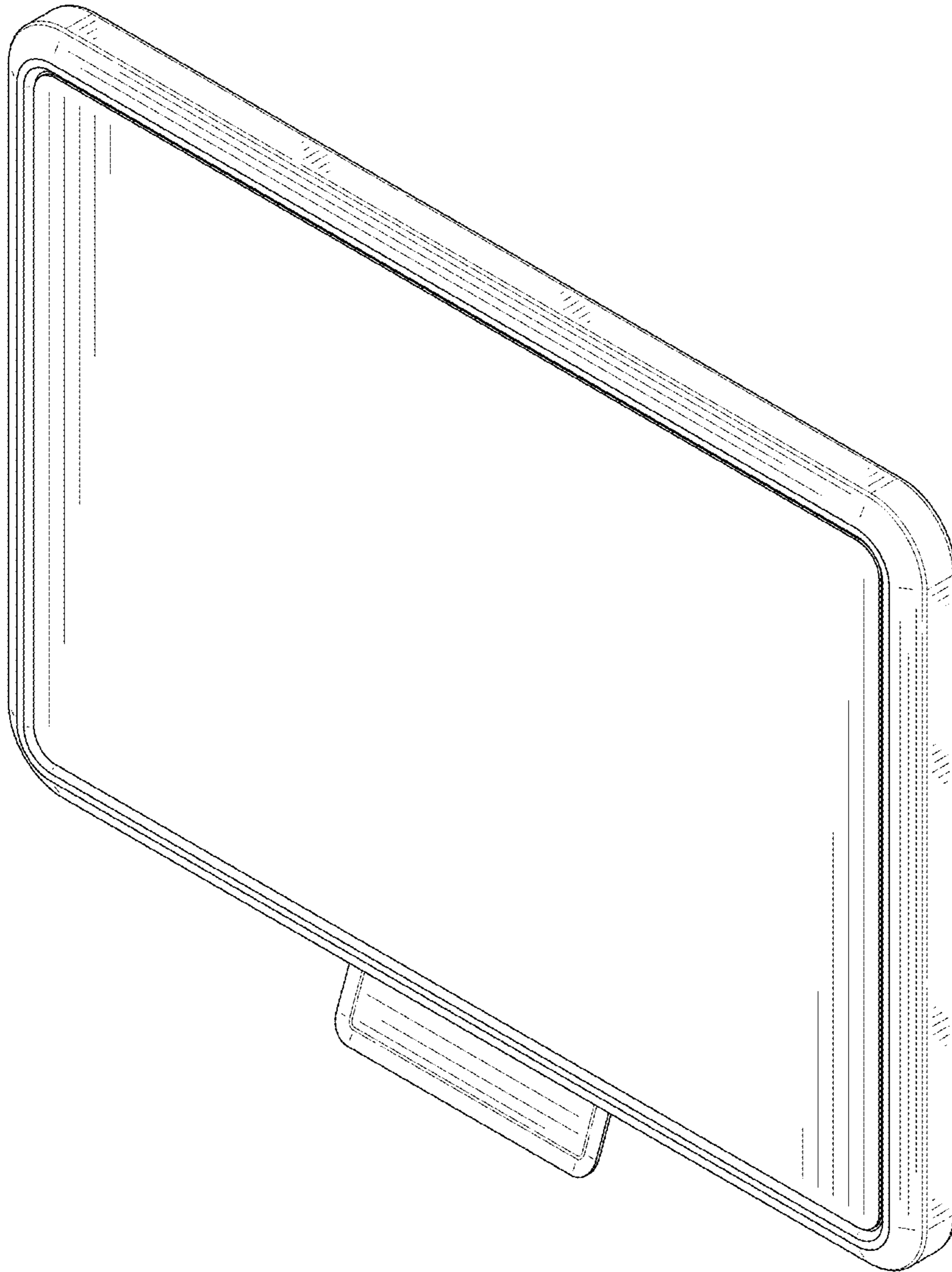


FIG. 1

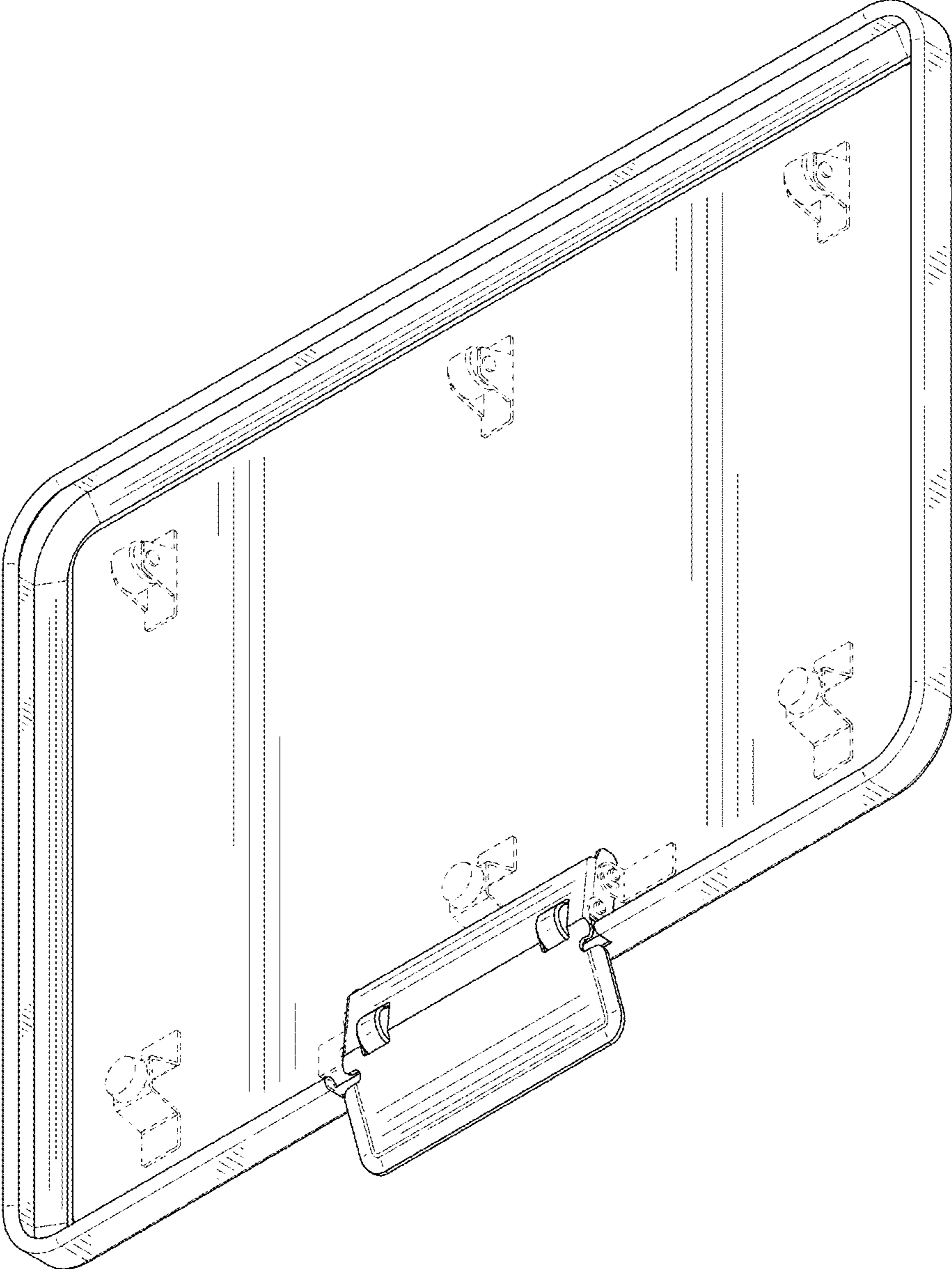


FIG. 2

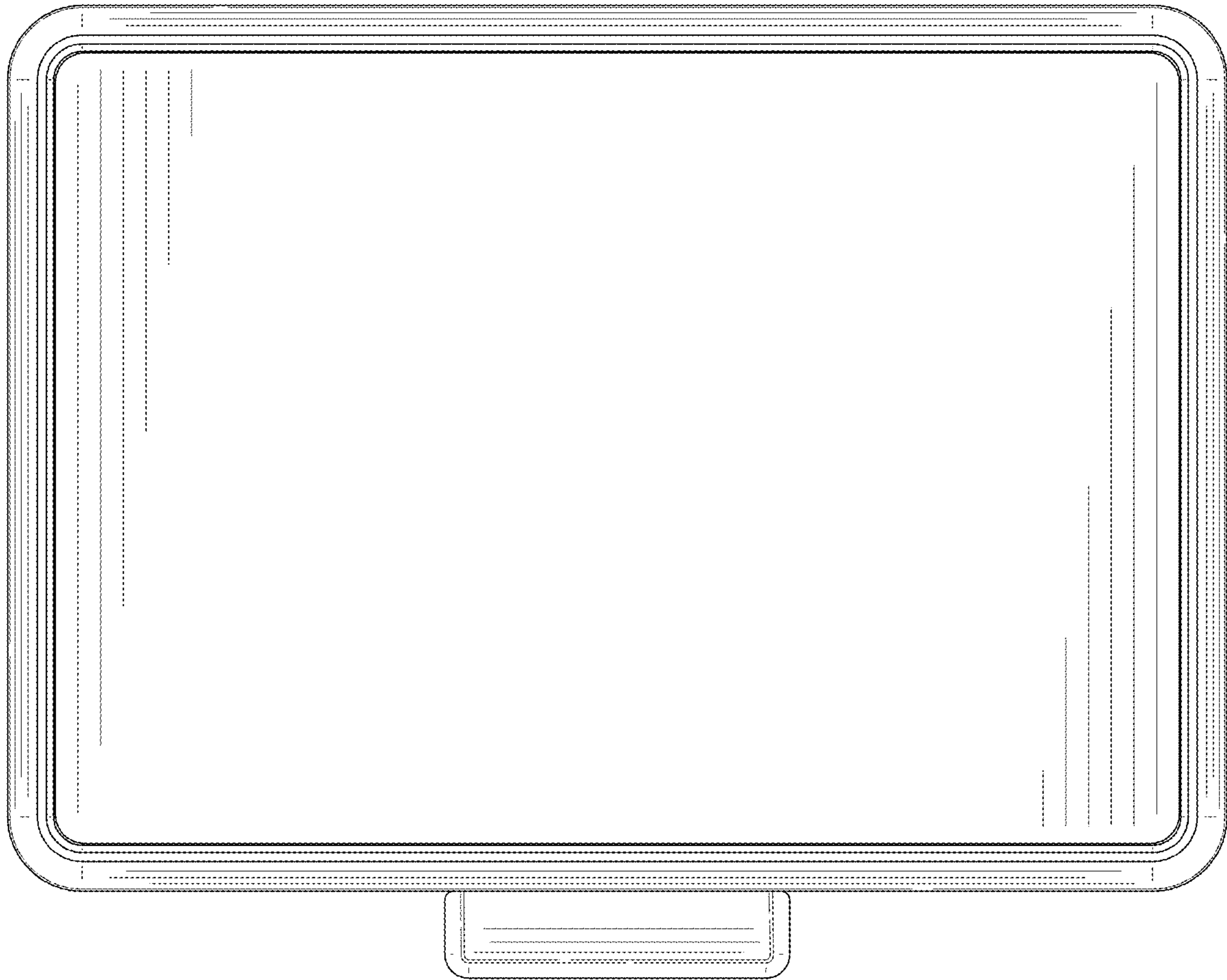


FIG. 3

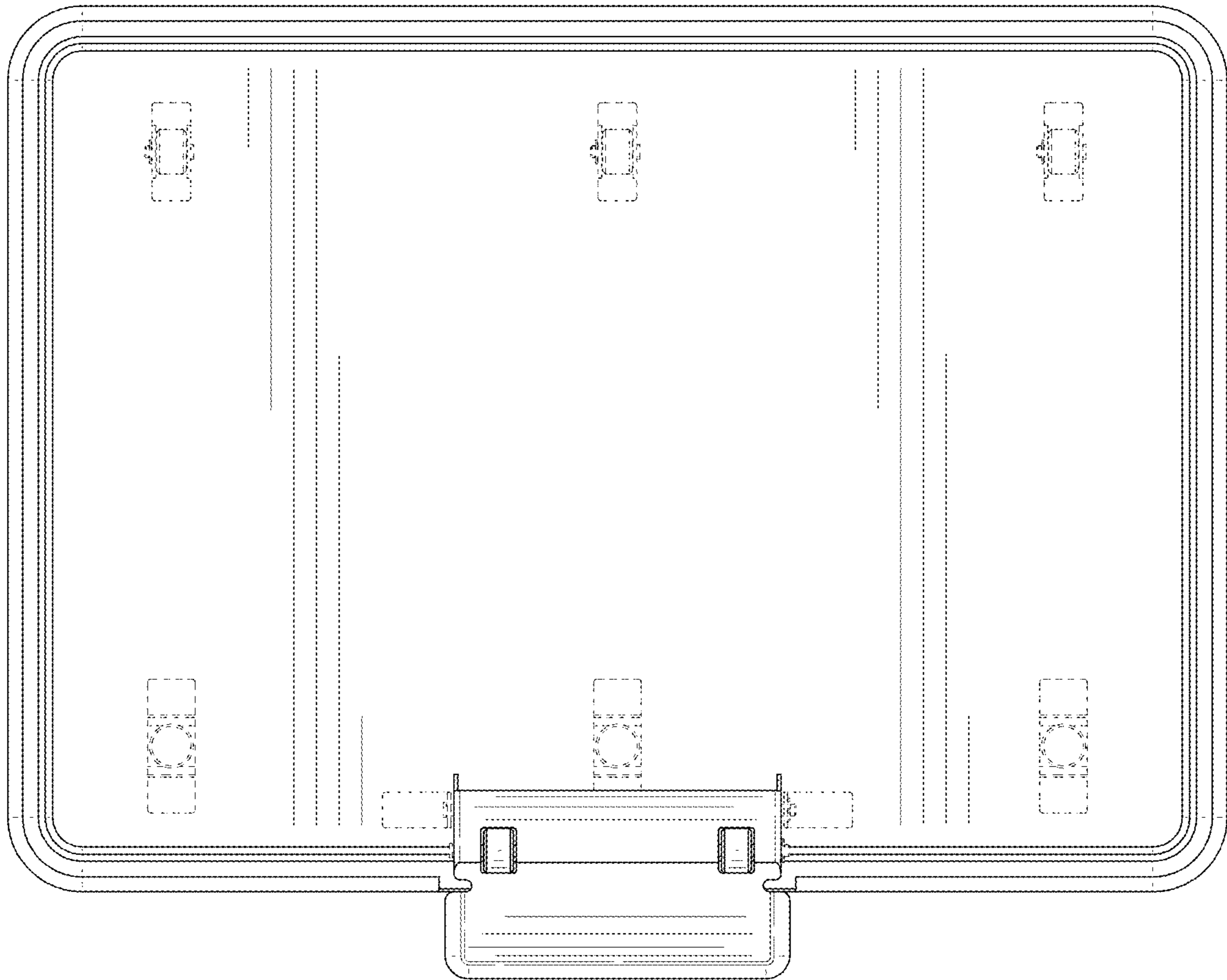


FIG. 4

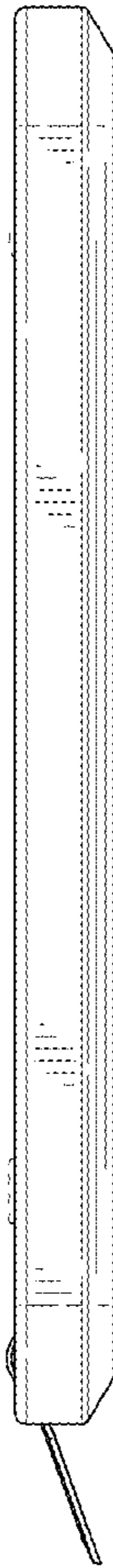


FIG. 5

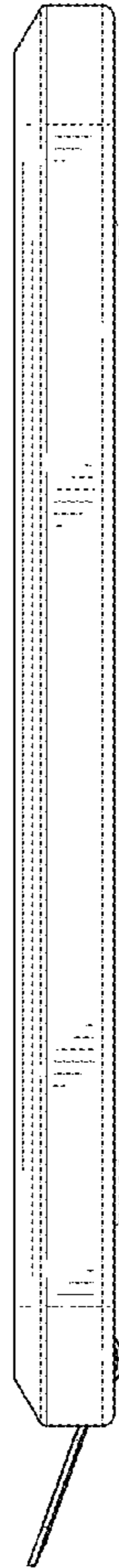


FIG. 6

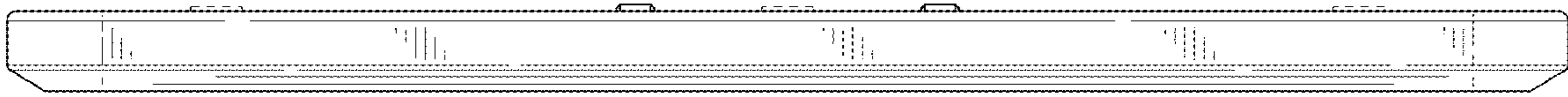


FIG. 7



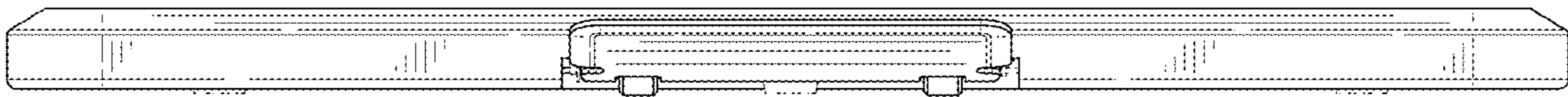


FIG. 8