



US00D970294S

(12) **United States Design Patent** (10) **Patent No.:** **US D970,294 S**  
**Joynson-Dickomeit et al.** (45) **Date of Patent:** **\*\* Nov. 22, 2022**

(54) **GLASS**

(71) Applicant: **PRODUCT SPECIALTIES INC.,**  
Whitby (CA)

(72) Inventors: **Thomas Joynson-Dickomeit,** Whitby  
(CA); **Martin Kehoe,** Whitby (CA);  
**Daniel Pierre Kehoe,** Whitby (CA)

(73) Assignee: **PRODUCT SPECIALTIES INC.,**  
Whitby (CA)

(\*\*) Term: **15 Years**

(21) Appl. No.: **29/804,991**

(22) Filed: **Aug. 24, 2021**

**Related U.S. Application Data**

(60) Division of application No. 29/756,387, filed on Oct. 28, 2020, now Pat. No. Des. 952,409, and a continuation-in-part of application No. 29/697,227, filed on Jul. 5, 2019, now abandoned.

(30) **Foreign Application Priority Data**

Jan. 10, 2019 (CA) ..... CA 185632

(51) **LOC (13) Cl.** ..... **07-01**

(52) **U.S. Cl.**  
USPC ..... **D7/523; D7/532**

(58) **Field of Classification Search**  
USPC ..... D7/507, 509, 510, 511, 512, 523, 532,  
D7/305, 531, 608, 392.1, 396.2, 533, 536;  
D27/172, 174, 175, 176; D9/501, 502,  
D9/503, 504, 530, 529, 522, 554, 567,  
D9/571, 569, 449, 516, 523, 524, 543,  
D9/565, 575  
CPC ..... A47J 43/27; A47J 41/02; A47G 19/22;  
A47G 19/16; A47G 19/2205; A47G  
19/2288; B65D 1/265

See application file for complete search history.

(56) **References Cited**

U.S. PATENT DOCUMENTS

D422,101	S	*	3/2000	Barraclough	.....	D26/9
6,189,715	B1	*	2/2001	Dubois	.....	A47G 19/2205 215/377
D459,156	S	*	6/2002	Davidson	.....	D7/509
D575,108	S	*	8/2008	Barducci	.....	D7/509
D744,285	S	*	12/2015	Janku	.....	D7/524
D746,108	S	*	12/2015	Di Giuseppantonio	.....	D7/509
D754,481	S	*	4/2016	Carpenter	.....	D7/523
D792,158	S	*	7/2017	Di Giuseppantonio	.....	D7/523
D821,143	S	*	6/2018	Cossu	.....	D7/509
D828,096	S	*	9/2018	Moore	.....	D7/509
D834,374	S	*	11/2018	Faulkner	.....	D7/532
D883,746	S	*	5/2020	Bétry	.....	D7/523

OTHER PUBLICATIONS

[https://www.amazon.com/Dragon-Glassware-Designer-Tumblers-10-Ounces/dp/B07QHDHW9V/ref=psdc\\_13218331\\_t5\\_B0995HGHRF?th=1](https://www.amazon.com/Dragon-Glassware-Designer-Tumblers-10-Ounces/dp/B07QHDHW9V/ref=psdc_13218331_t5_B0995HGHRF?th=1) Sep. 20, 2018 (Year: 2018).\*  
[https://www.amazon.com/Barbuzzo-Rolling-Whiskey-Glasses-Set/dp/B06XJ58HRK/ref=sr\\_1\\_8?crd=22N59S3HSZ81Z&keywords=spin+whiskey+glasses&qid=1650584408&srefix=spin+whiskey+%2Caps%2C133&sr=8-8](https://www.amazon.com/Barbuzzo-Rolling-Whiskey-Glasses-Set/dp/B06XJ58HRK/ref=sr_1_8?crd=22N59S3HSZ81Z&keywords=spin+whiskey+glasses&qid=1650584408&srefix=spin+whiskey+%2Caps%2C133&sr=8-8) Mar. 10, 2017 (Year: 2017).\*  
Aura Glass [https://www.amazon.com/dp/B0763Q9C78/ref=cm\\_sw\\_em\\_r\\_mt\\_dp\\_DD7T1Q0CN50MEFYX11PF?\\_encoding=UTF8&pvc=1](https://www.amazon.com/dp/B0763Q9C78/ref=cm_sw_em_r_mt_dp_DD7T1Q0CN50MEFYX11PF?_encoding=UTF8&pvc=1) Oct. 2, 2017 (Year: 2017).\*

\* cited by examiner

Primary Examiner — Jae Liang

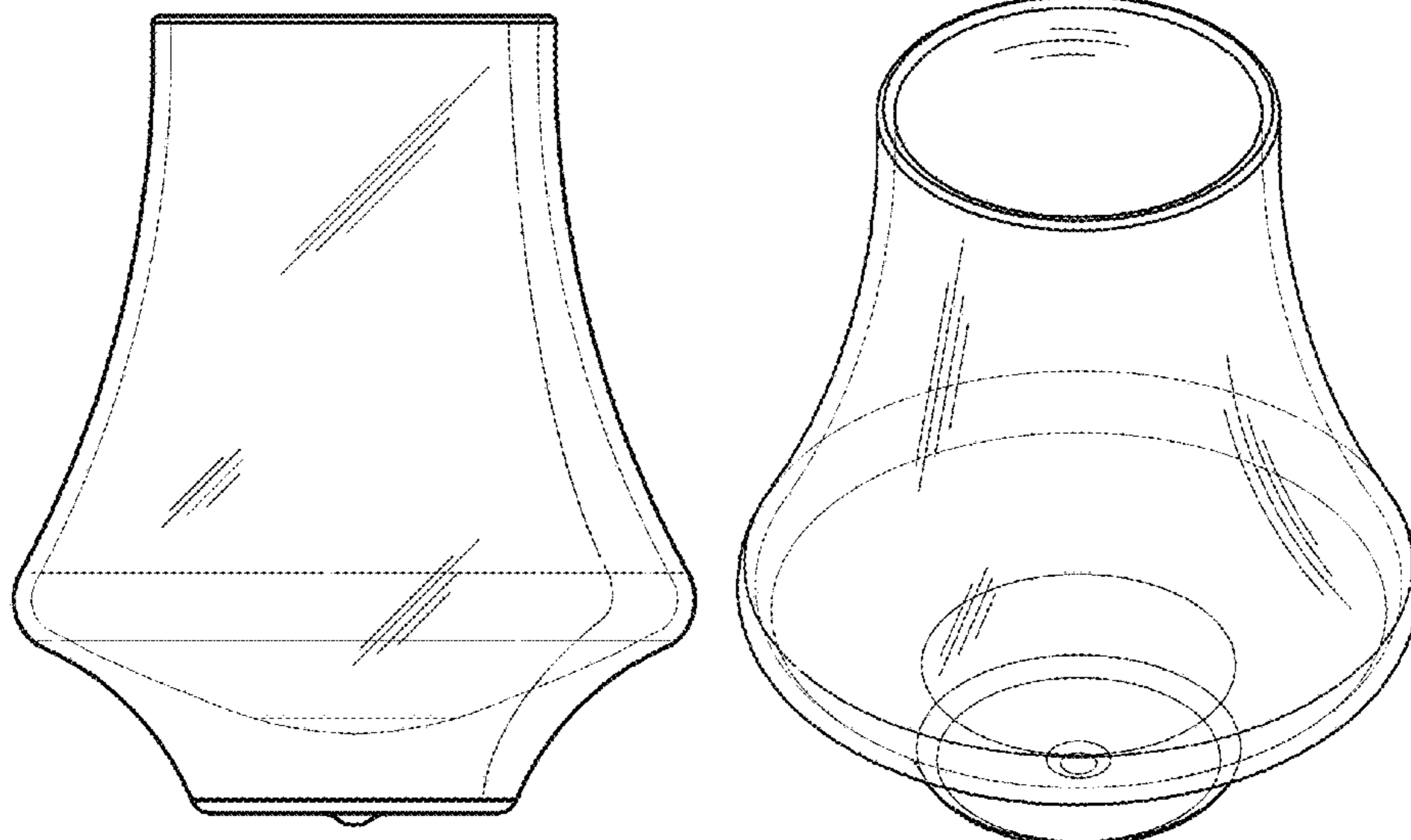
(57) **CLAIM**

We claim the ornamental design for a glass, as shown and described.

**DESCRIPTION**

FIG. 1 is a side elevational view of a glass showing our new design; with the other side view being identical; FIG. 2 is a bottom elevational view thereof; FIG. 3 is a top elevational view thereof; FIG. 4 is a front top perspective view thereof; and, FIG. 5 is a front bottom perspective view thereof.

**1 Claim, 2 Drawing Sheets**



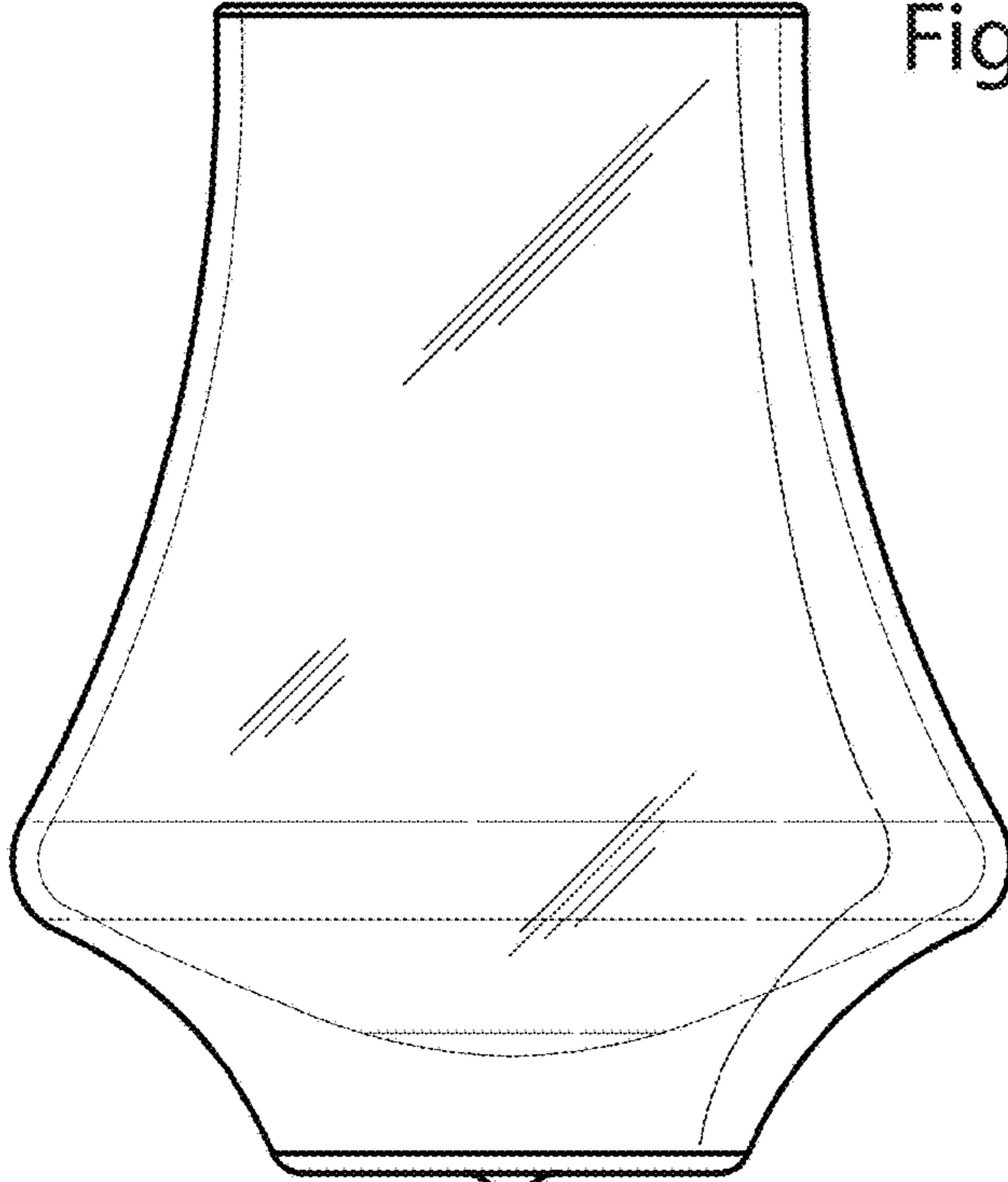


Fig. 1

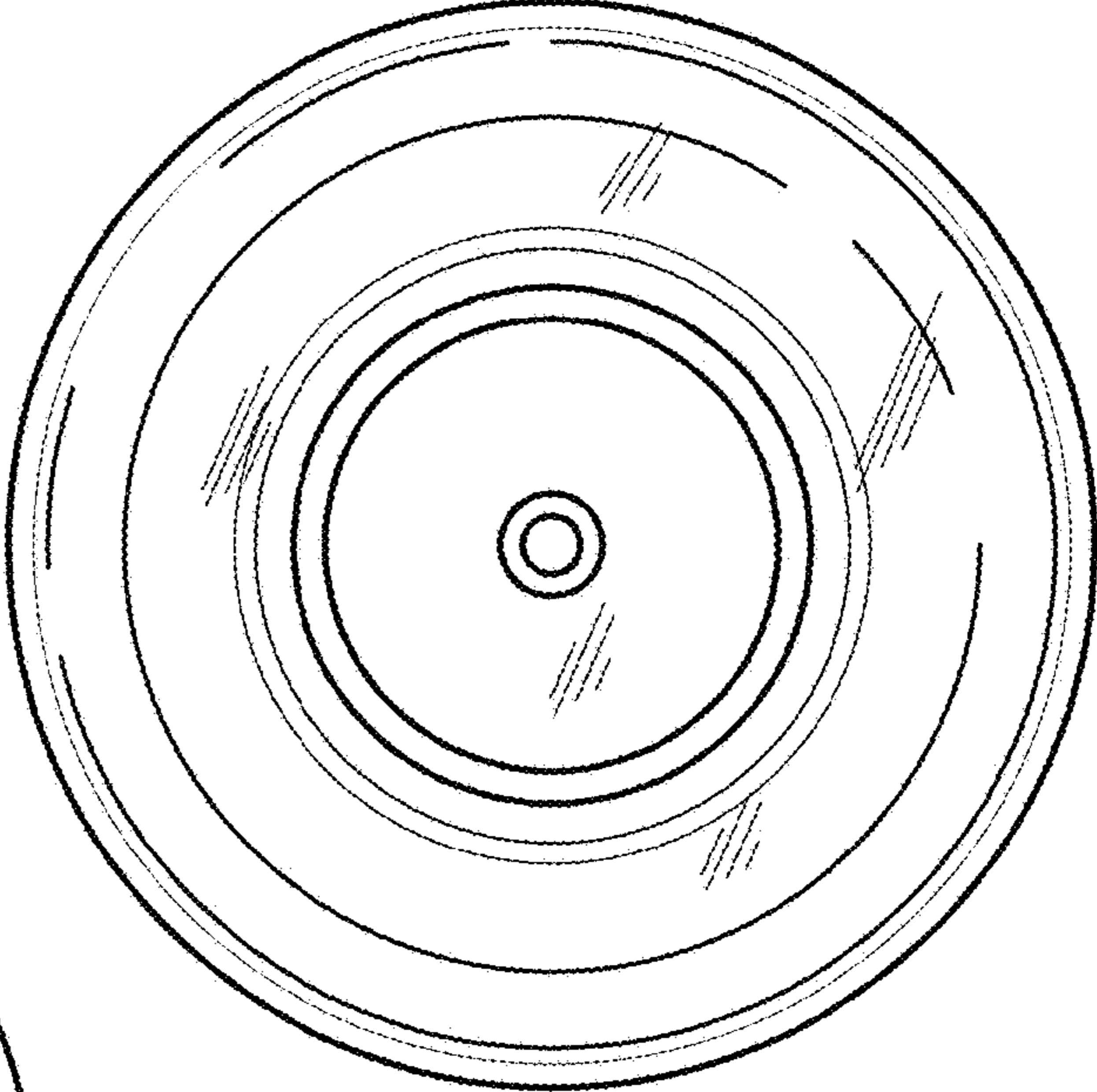


Fig. 2

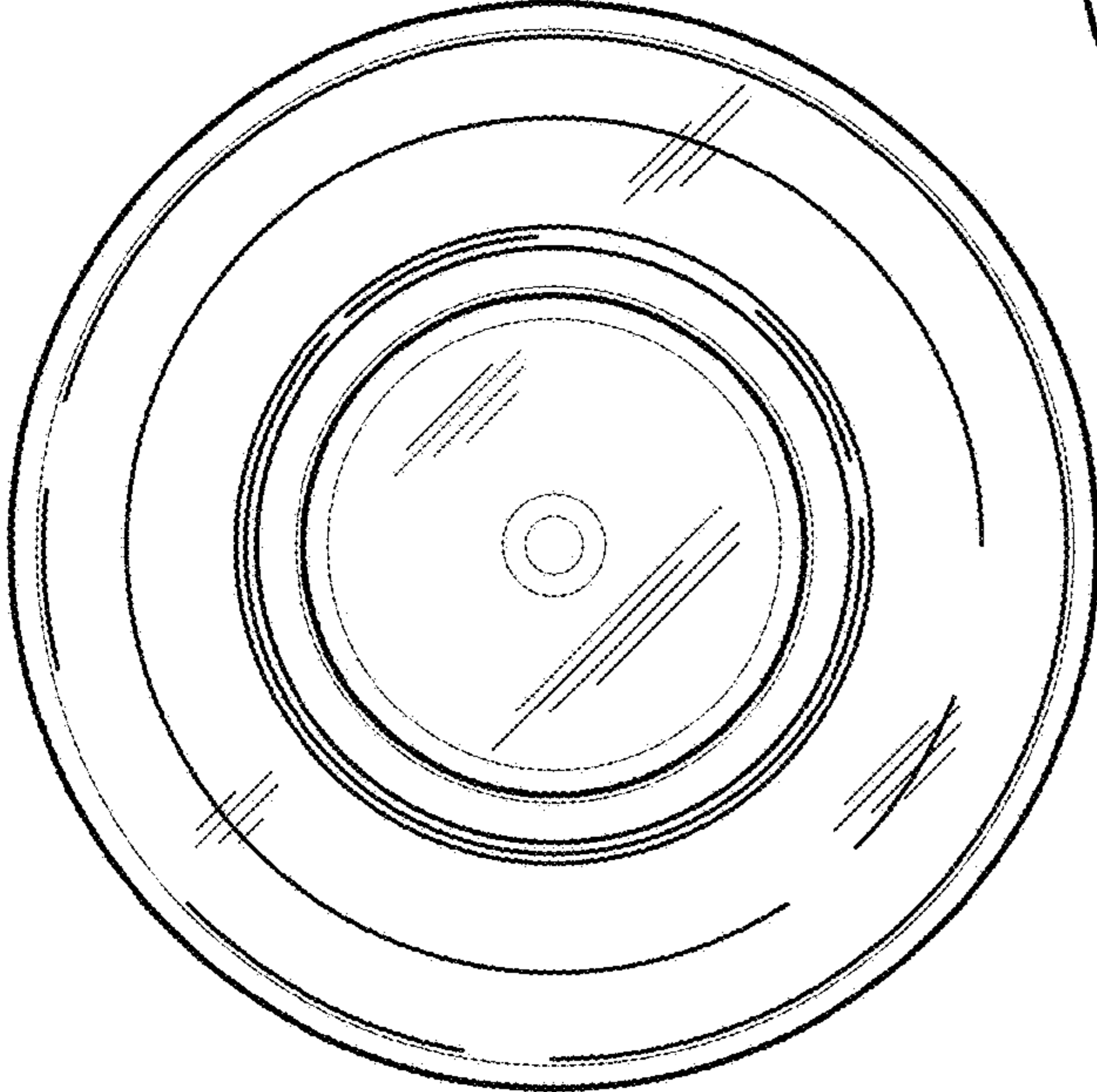


Fig. 3

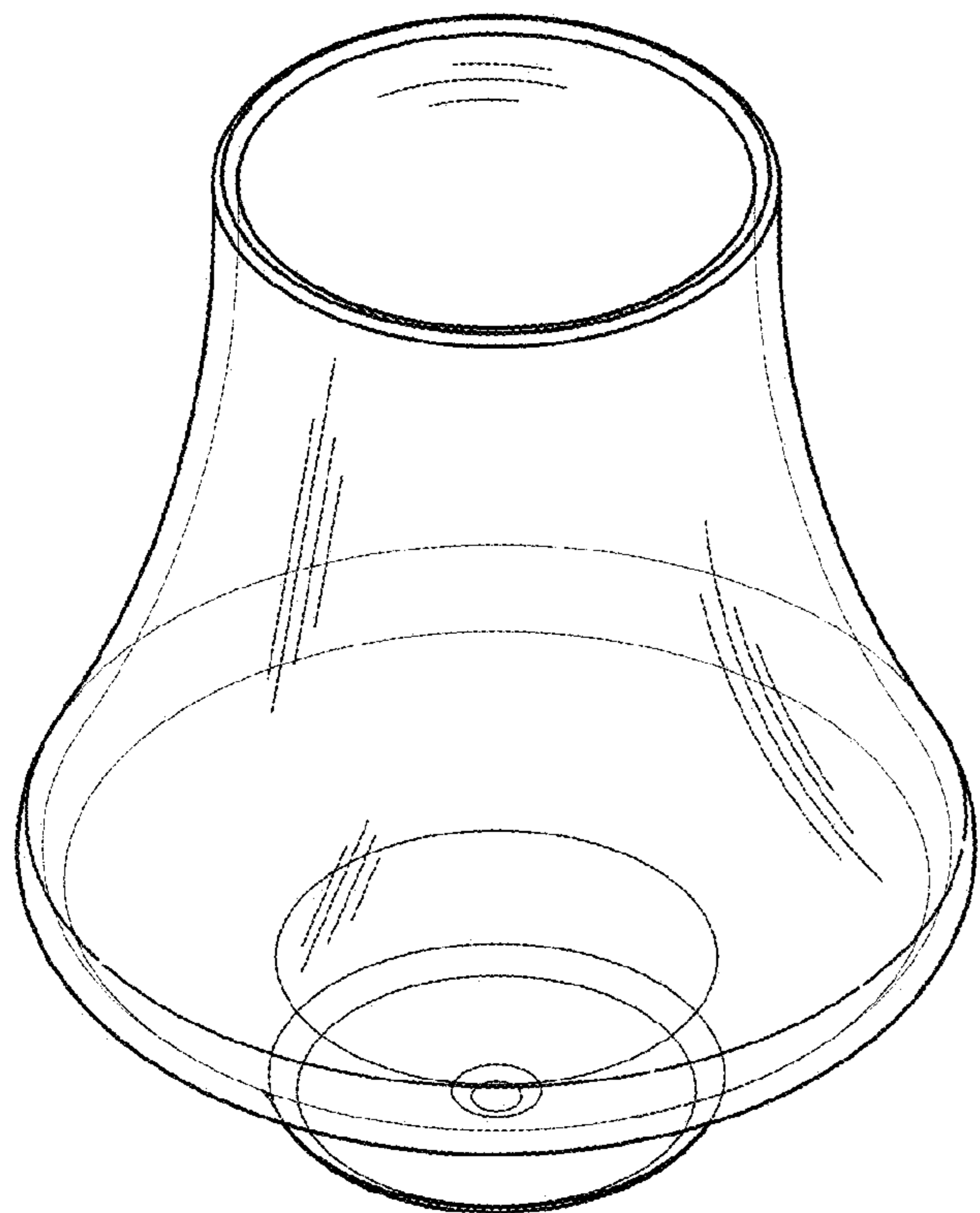


Fig. 4

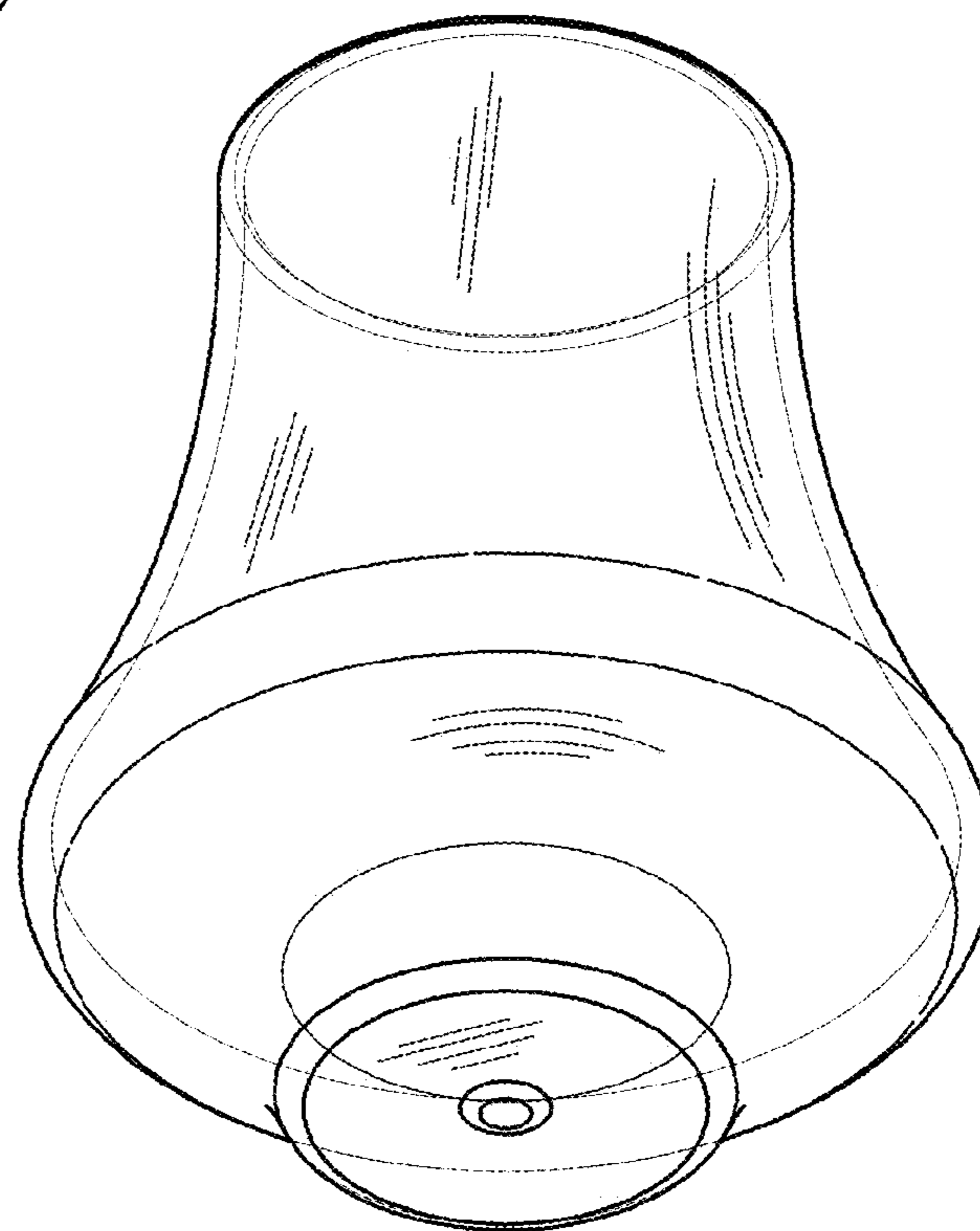


Fig. 5