

US00D970292S

(12) **United States Design Patent**
Anderson

(10) **Patent No.:** **US D970,292 S**

(45) **Date of Patent:** **** Nov. 22, 2022**

(54) **HINGED BOTTLE HANDLE**

(71) Applicant: **ETS Express, LLC**, Oxnard, CA (US)

(72) Inventor: **Blake Anderson**, Oxnard, CA (US)

(73) Assignee: **ETS Express, LLC**, Oxnard, CA (US)

(**) Term: **15 Years**

(21) Appl. No.: **29/747,103**

(22) Filed: **Aug. 19, 2020**

(51) **LOC (13) Cl.** **07-99**

(52) **U.S. Cl.**
USPC **D7/396.2; D7/393**

(58) **Field of Classification Search**

USPC D7/507, 510, 511, 523, 531, 532, 608,
D7/392.1, 396.2, 396.3, 387, 394, 393;
D9/500, 501, 502, 447, 443; D3/202
CPC A47J 41/0077; A47J 41/02; A47J 41/0088;
A47G 19/2288

See application file for complete search history.

(56) **References Cited**

U.S. PATENT DOCUMENTS

D675,059	S	*	1/2013	Carreno	D7/392.1
D696,900	S	*	1/2014	George	D7/392.1
D748,942	S	*	2/2016	Boroski	D7/378
D752,390	S	*	3/2016	Ksiazek	D7/300.1
D772,652	S	*	11/2016	Yao	D7/510
D778,677	S	*	2/2017	Boroski	D7/529
D799,270	S	*	10/2017	Polk, III	D7/510
D819,402	S	*	6/2018	Silsby	D7/510
D833,224	S	*	11/2018	Wahlkvist	D7/532
D870,509	S	*	12/2019	Bo	D7/392.1
D878,150	S	*	3/2020	Omdahl, II	D9/443
D880,941	S	*	4/2020	Silsby	D7/532
D896,573	S	*	9/2020	Wu	D7/392.1
D898,507	S	*	10/2020	Ekblom	D7/392.1
D899,181	S	*	10/2020	Xie	D7/392.1
D903,404	S	*	12/2020	Bram	D9/449

(Continued)

OTHER PUBLICATIONS

GrandTies 2 Lids Sports Stainless Steel Water Bottle Jun. 7, 2021 https://www.amazon.com/dp/B093T5YH21/ref=cm_sw_em_r_mt_dp_EGHQ6GN6A6ZBQ2VCANF2?_encoding=UTF8&psc=1 (Year: 2021).*

(Continued)

Primary Examiner — Jae Liang

(74) *Attorney, Agent, or Firm* — Virtual IP Law, LLC

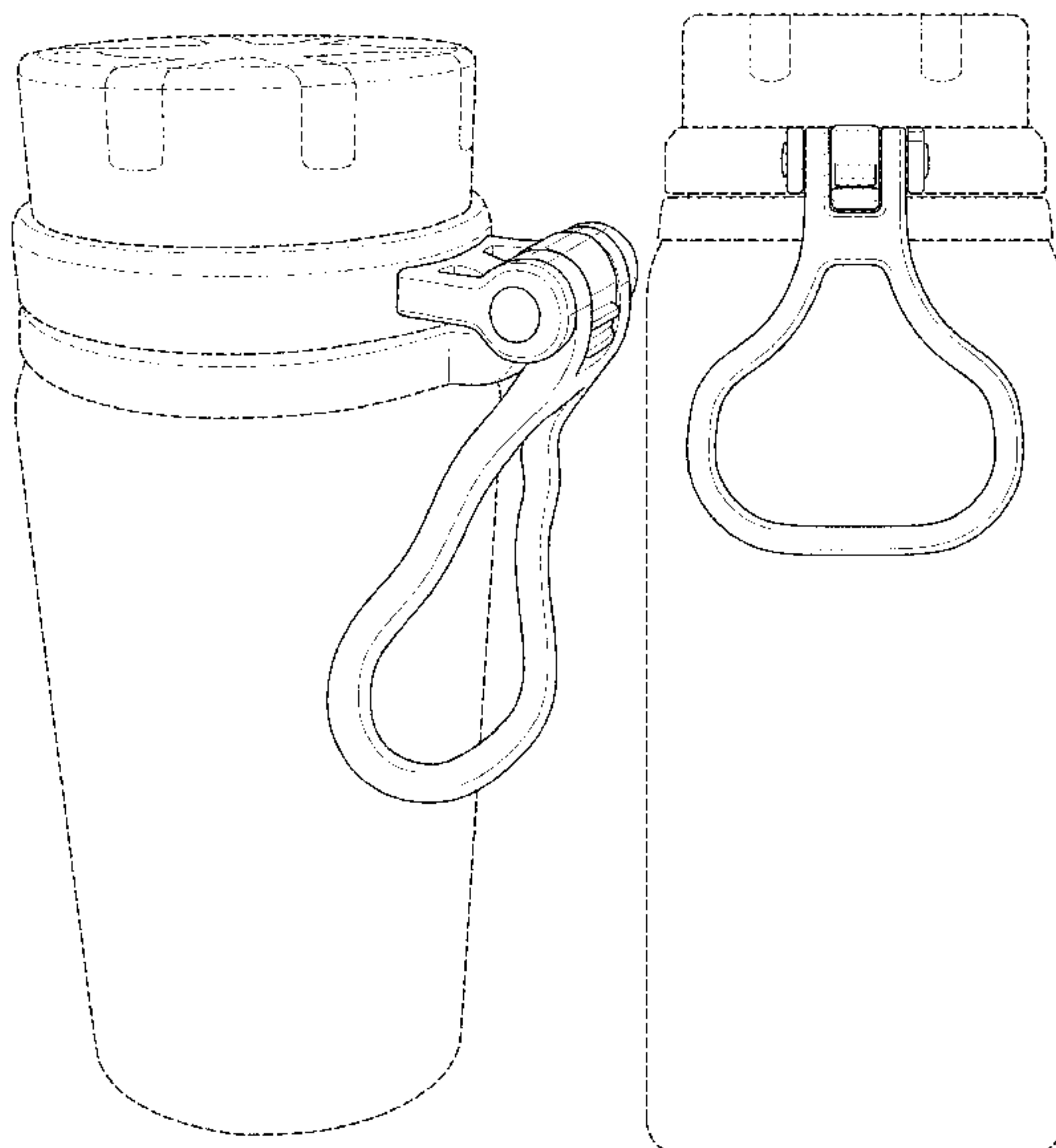
(57) **CLAIM**

The ornamental design for a hinged bottle handle, as shown and described.

DESCRIPTION

FIG. 1 is a perspective view of a hinged bottle handle with the hinge in a closed position showing my new design; FIG. 2 is a left side elevational view of the hinged bottle handle of FIG. 1; FIG. 3 is a rear elevational view of the hinged bottle handle of FIG. 1; FIG. 4 is a right side elevational view of the hinged bottle handle of FIG. 1; FIG. 5 is a top plan view of the hinged bottle handle of FIG. 1; FIG. 6 is a bottom plan view of the hinged bottle handle of FIG. 1; FIG. 7 is a right side elevational view of the hinged bottle handle of FIG. 1 with the hinge in an open position; FIG. 8 is a perspective view of the hinged bottle handle of FIG. 7; and, FIG. 9 is a perspective view of the hinged bottle handle showing the bottle handle raised. The portions shown in broken lines depict environmental subject matter and form no part of the claimed design. The drawings include surface shading that represents contour and not surface ornamentation.

1 Claim, 8 Drawing Sheets



(56)

References Cited

U.S. PATENT DOCUMENTS

D907,960 S * 1/2021 McCabe D7/532
D912,466 S * 3/2021 Silsby D7/510
D920,041 S * 5/2021 Chen D7/396.2
D934,623 S * 11/2021 Wang D7/392.1
D939,271 S * 12/2021 Chen D7/392.1
D941,627 S * 1/2022 Lown D9/449
D942,208 S * 2/2022 Lown D9/450
D943,344 S * 2/2022 Li D9/450

OTHER PUBLICATIONS

Coolflask Insulated Vacuum Metal Stainless Steel Big Water Jug
Mar. 25, 2021 https://www.amazon.com/dp/B091DTM448/ref=cm_sw_em_r_mt_dp_578H7G65D885TA6TZ8QR (Year: 2021).*

* cited by examiner

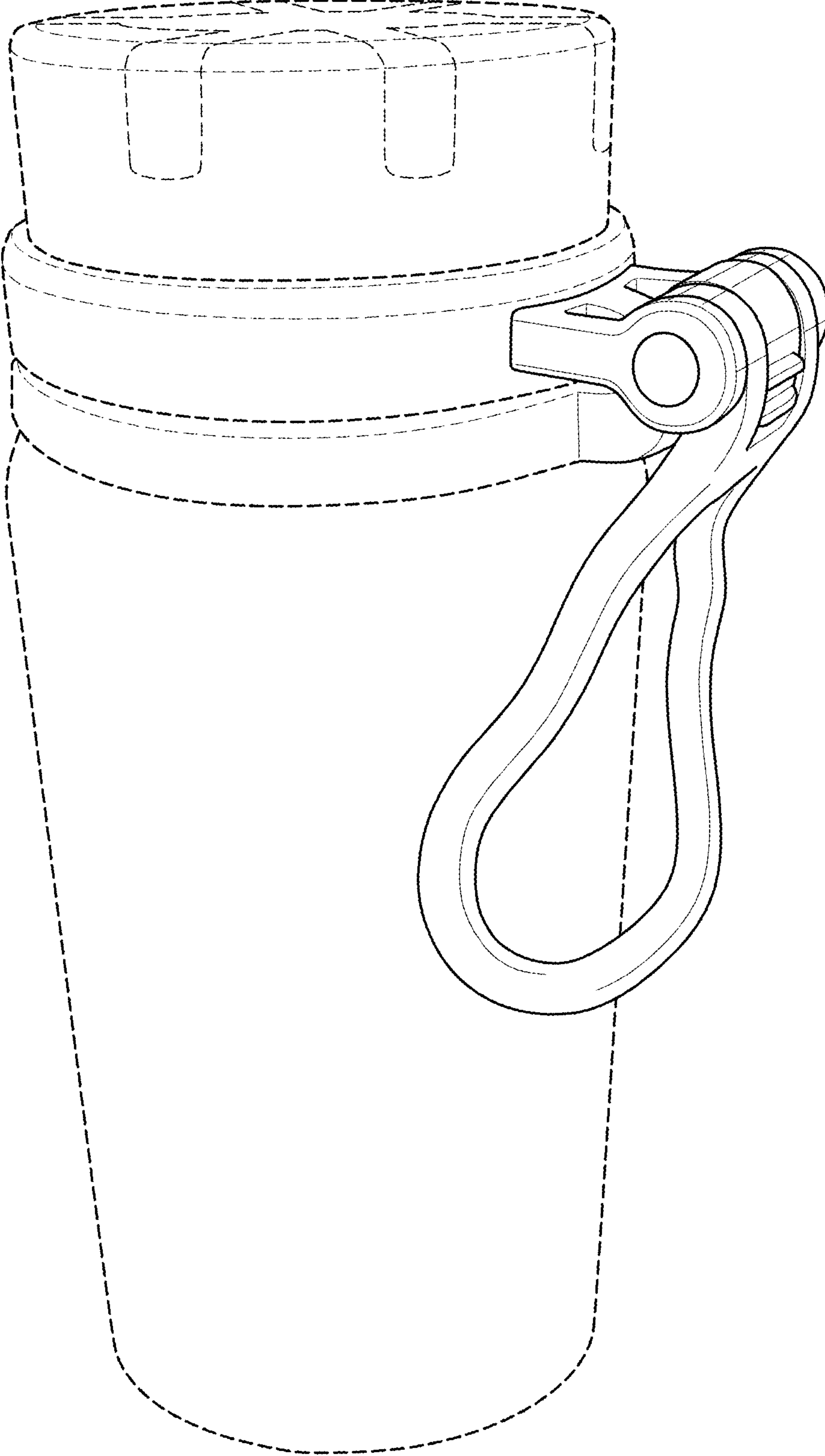


FIG. 1

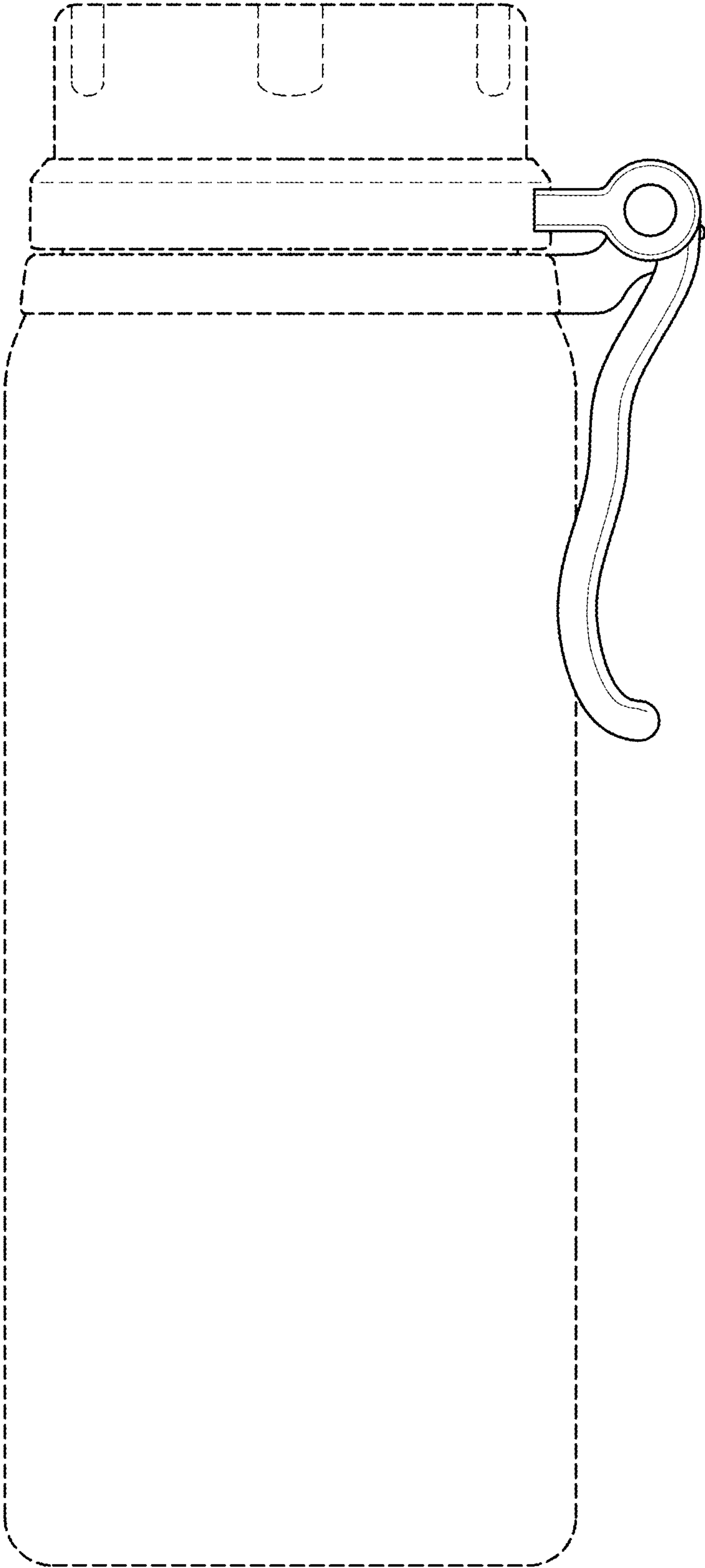


FIG. 2

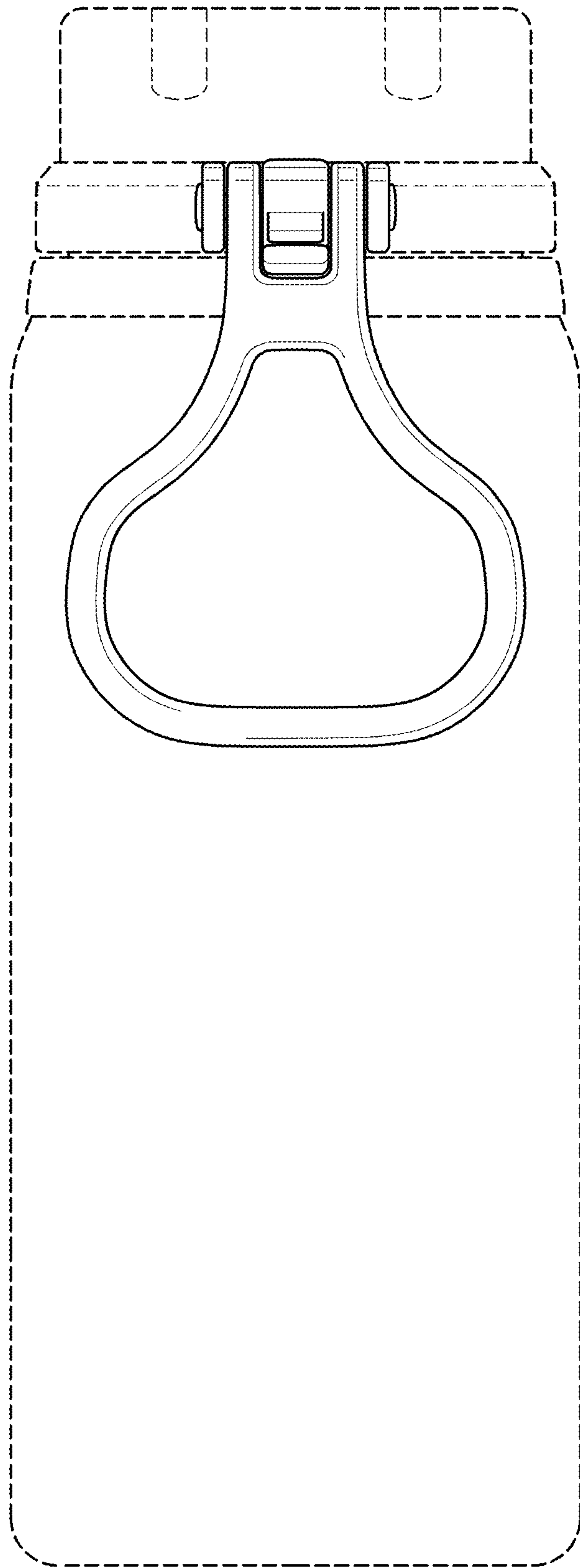


FIG. 3

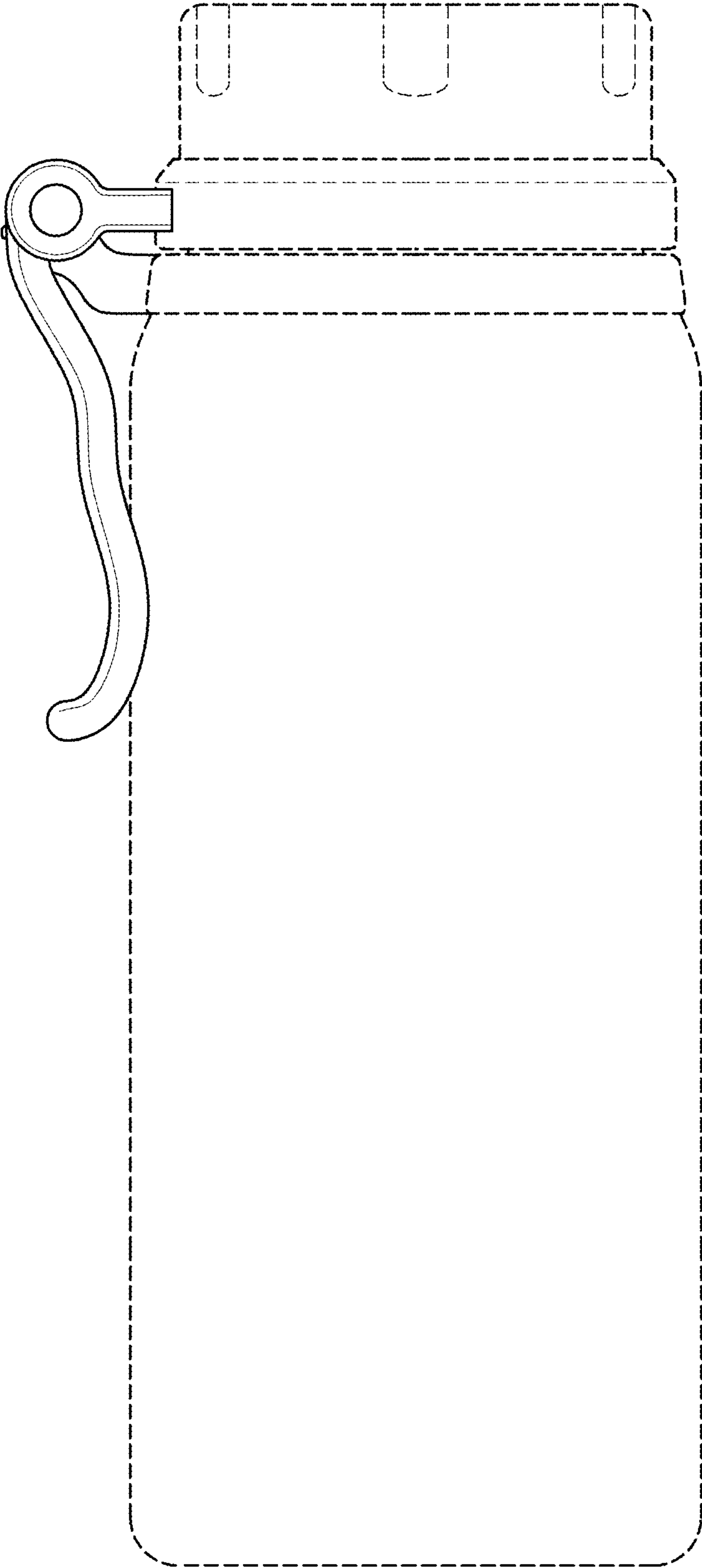


FIG. 4

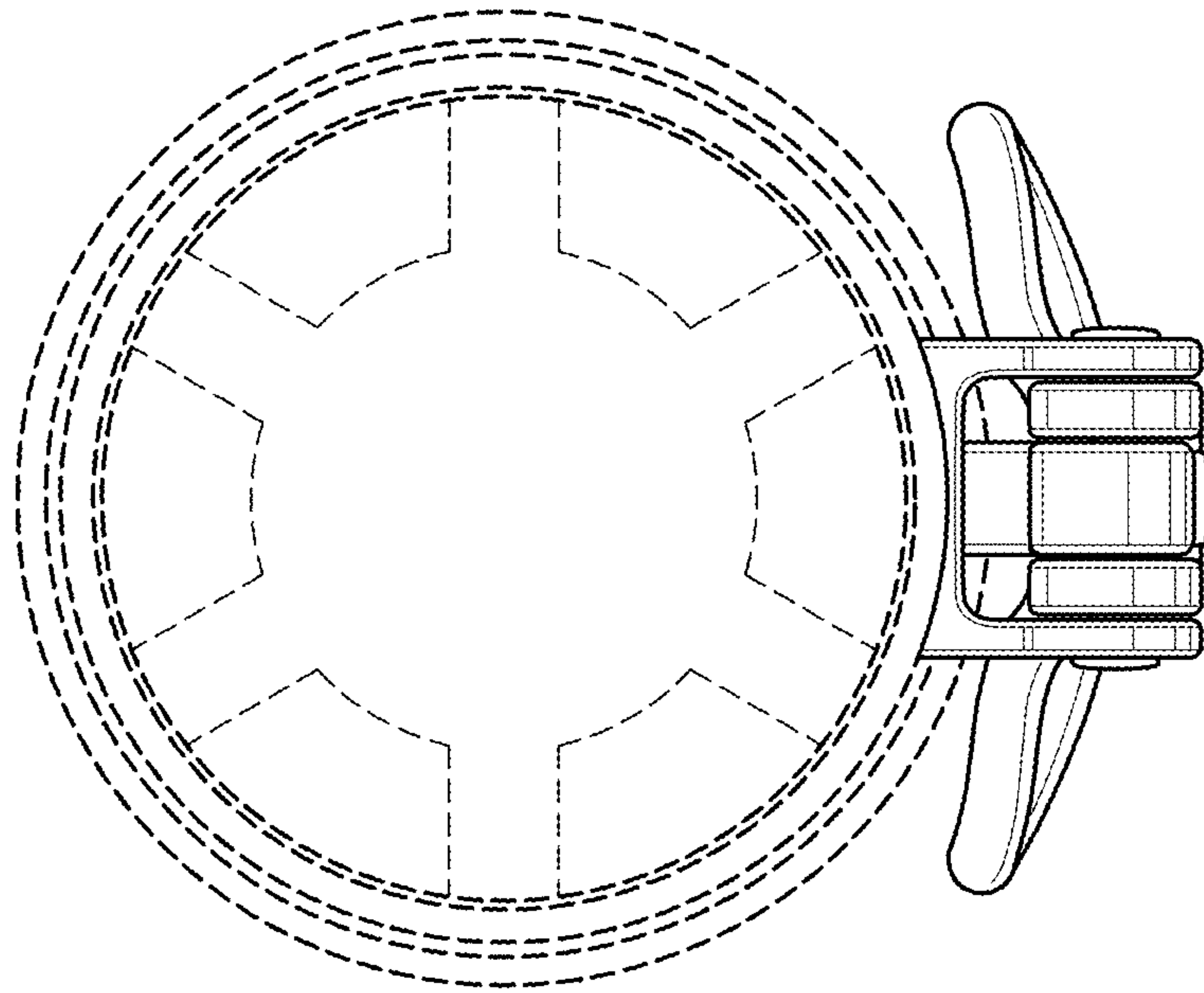


FIG. 5

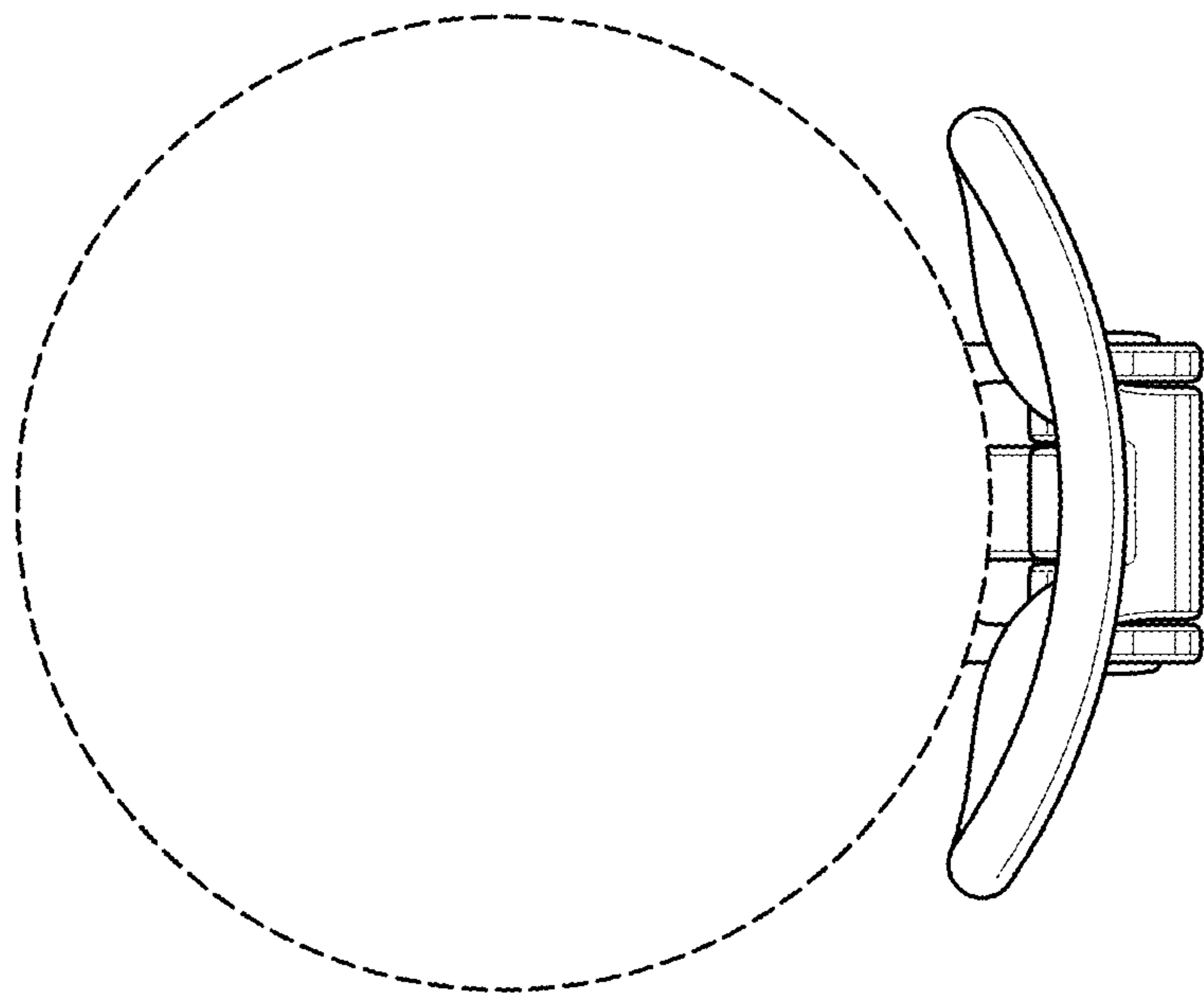


FIG. 6

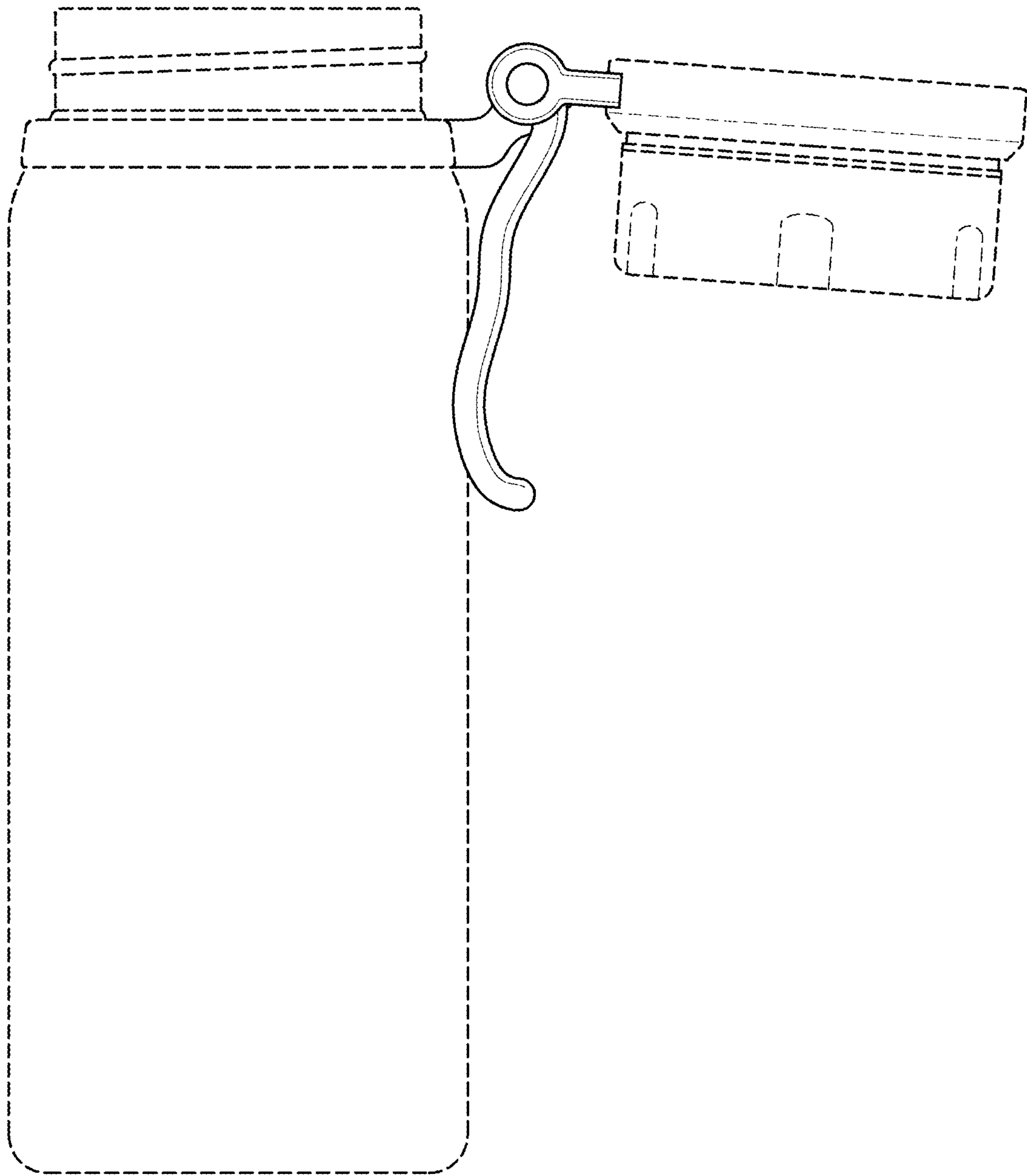


FIG. 7

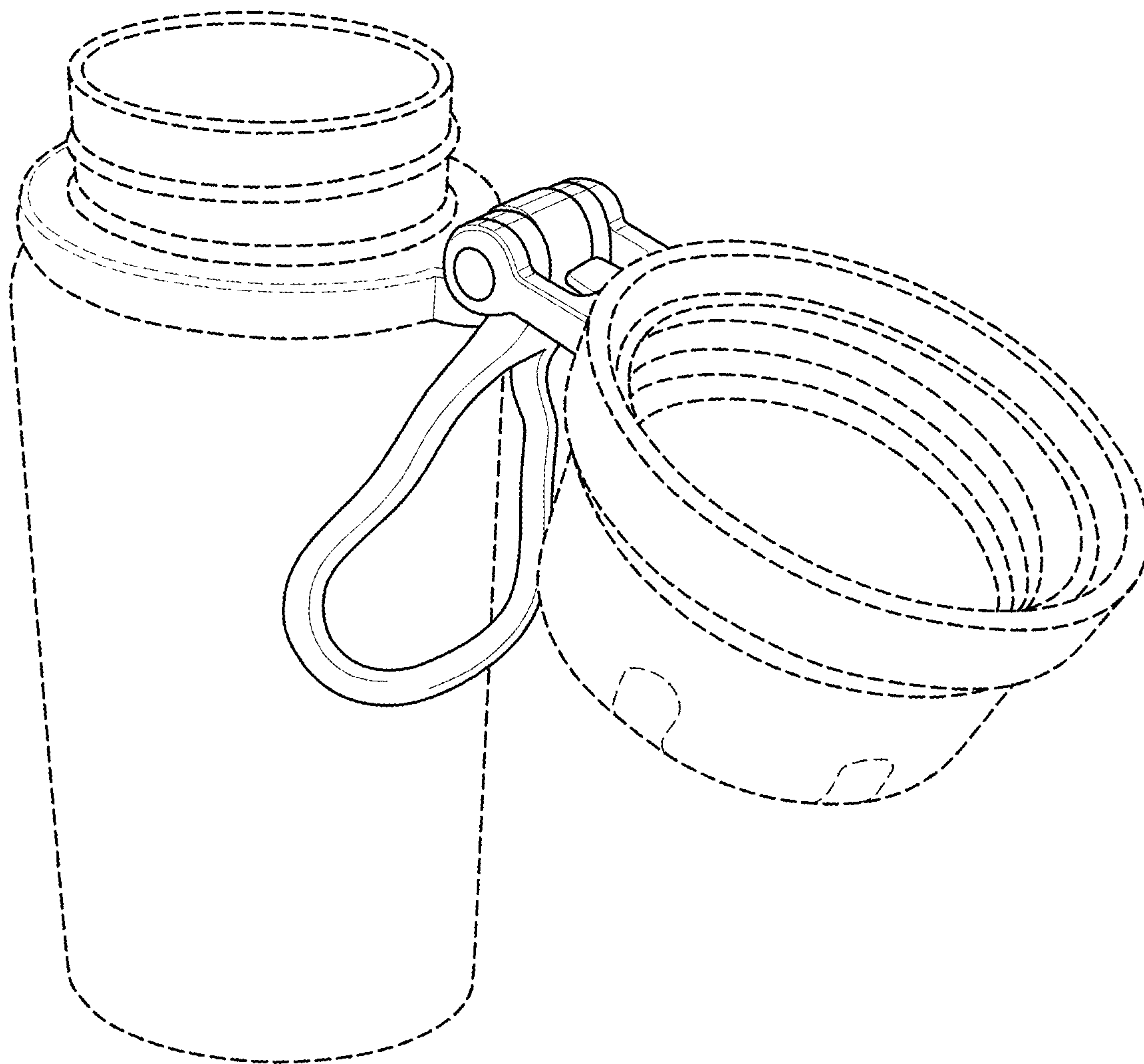


FIG. 8

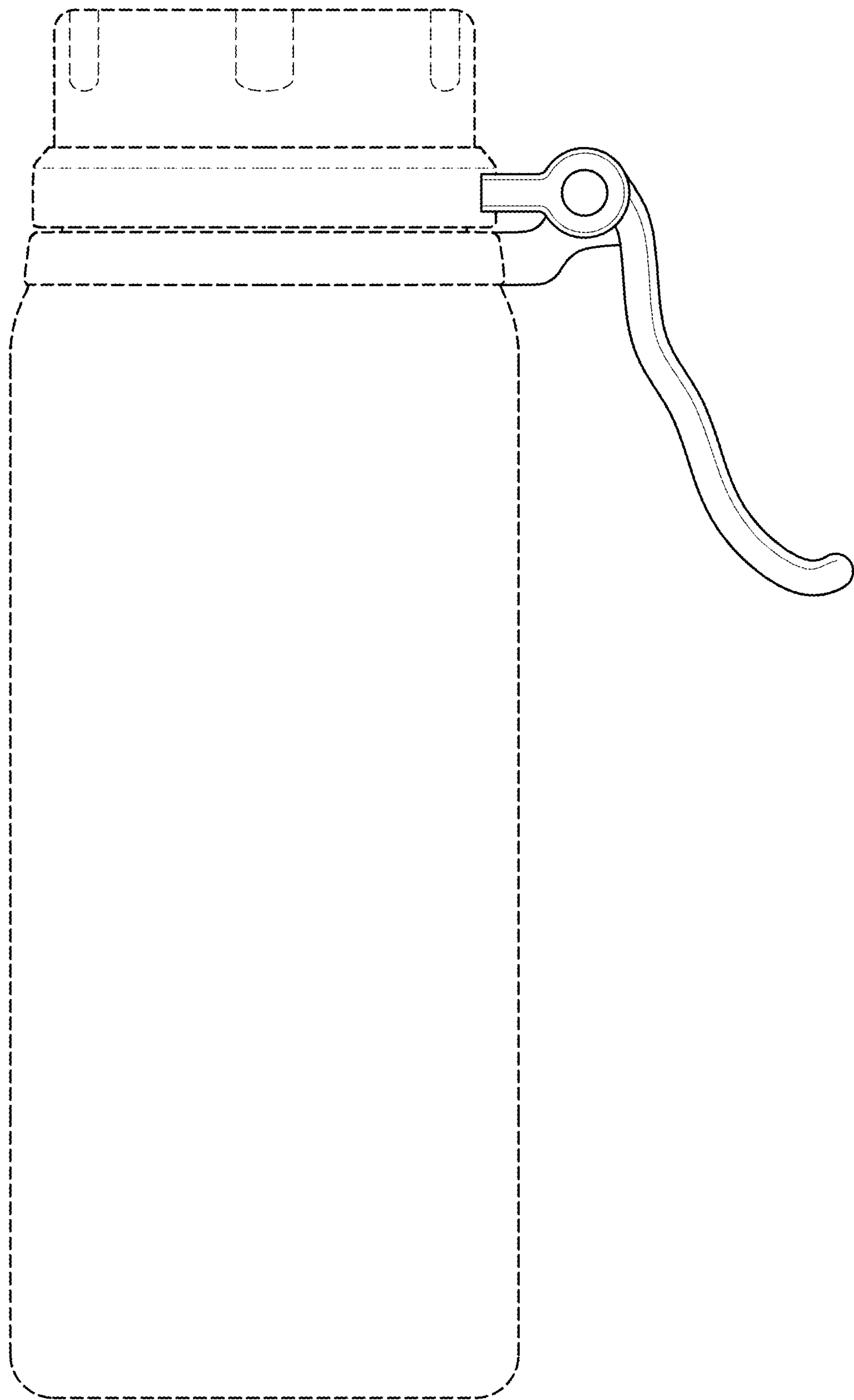


FIG. 9