



US00D970291S

(12) **United States Design Patent**
Wang

(10) **Patent No.:** **US D970,291 S**

(45) **Date of Patent:** **** Nov. 22, 2022**

(54) **JAR SEALER**

(71) Applicant: **Huakun Wang**, Zhanjiang (CN)

(72) Inventor: **Huakun Wang**, Zhanjiang (CN)

(**) Term: **15 Years**

(21) Appl. No.: **29/837,173**

(22) Filed: **May 3, 2022**

(51) **LOC (13) Cl.** **07-02**

(52) **U.S. Cl.**

USPC **D7/392.1**; D9/436

(58) **Field of Classification Search**

USPC D7/312, 313, 316, 387, 329, 392.1, 393,
D7/396.1, 396.2, 397, 398, 400;
D9/434-442, 446, 447, 451, 452, 453,
D9/454; D23/206, 209, 238, 249, 255,
D23/259, 260, 261, 265

CPC A47J 31/0673; B65D 85/8046; B65D
2251/0015; B65D 2251/0071; B65D
2251/20; B65D 47/2031; A61J 1/2096;
A61J 1/2051; A61J 1/14

See application file for complete search history.

(56) **References Cited**

U.S. PATENT DOCUMENTS

D212,379 S	*	10/1968	Dudas	D7/393
D261,349 S	*	10/1981	Ryser	D7/393
D268,516 S	*	4/1983	Thompson	D23/254
D279,758 S	*	7/1985	Cesaroni	D7/391
D279,759 S	*	7/1985	Cesaroni	D7/391
D298,506 S	*	11/1988	Lee	D7/393
D305,493 S	*	1/1990	Ryser	D7/358
D306,960 S	*	4/1990	Dricken	D7/393
4,913,304 A	*	4/1990	Corey	B65D 51/20 220/246
D365,497 S	*	12/1995	Gebhardt	D7/393
D365,964 S	*	1/1996	Gebhardt	D7/393
D372,634 S	*	8/1996	Rohrer	D7/391
5,584,414 A	*	12/1996	Neubeck	A47J 36/06 220/753

5,662,247 A	*	9/1997	Rapchak	B65D 51/18 222/153.07
5,680,965 A	*	10/1997	Beck	B65D 47/243 222/525
D411,707 S	*	6/1999	Horvat	D7/393
D472,128 S	*	3/2003	Heffel	D8/312
D534,061 S	*	12/2006	Sakai	D8/388
D551,548 S		9/2007	Didier		
D611,296 S	*	3/2010	Ingman	D7/392.1
D642,914 S		8/2011	Dumas		
D652,249 S	*	1/2012	Munari	D7/393
D682,692 S		5/2013	Adjeleian		
D694,576 S	*	12/2013	Meyer	D7/393

(Continued)

OTHER PUBLICATIONS

Daika Jar Sealer: Announced Apr. 7, 2022 (online). Site Visited (Jul. 26, 2022). Available from Internet URL: <https://www.amazon.com/DAIKA-Compatible-Wide-Mouth-Regular-Mouth-Mason-type/dp/B09XDR4SXG?th=1>.*

(Continued)

Primary Examiner — Catherine S Posthauer

(74) *Attorney, Agent, or Firm* — Rumit Ranjit Kanakia

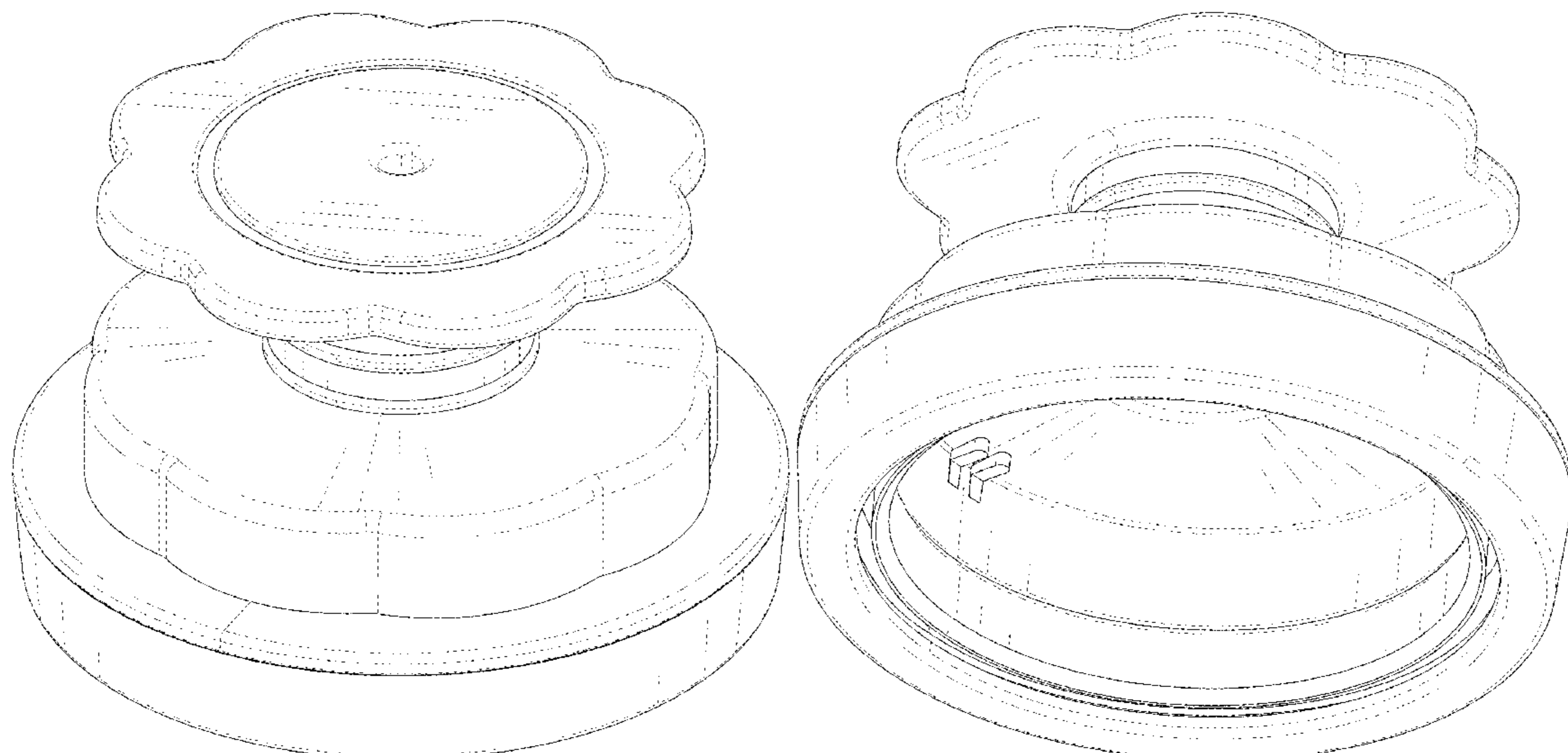
(57) **CLAIM**

The ornamental design for a jar sealer, as shown and described.

DESCRIPTION

FIG. 1 is a perspective view of a jar sealer showing my new design;
FIG. 2 is another perspective view thereof;
FIG. 3 is a front elevational view thereof, the rear, left and right elevational views are identical;
FIG. 4 is a top plan view thereof;
FIG. 5 is a bottom plan view thereof; and,
FIG. 6 is a cross-sectional view taken in the direction of line 6-6 on FIG. 4.

1 Claim, 6 Drawing Sheets



(56)

References Cited

U.S. PATENT DOCUMENTS

D708,945 S 7/2014 Jetmar
D714,145 S * 9/2014 Skaggs D9/451
D729,063 S 5/2015 Koop
D756,772 S 5/2016 Wei
D771,475 S * 11/2016 Pan D8/367
D849,534 S 5/2019 Westrick
D863,959 S 10/2019 Larminaux
D875,524 S 2/2020 Holmes
D907,955 S * 1/2021 Massucco D9/453
D938,556 S * 12/2021 Zhang D23/260
D943,414 S 2/2022 Niles

OTHER PUBLICATIONS

FoodSaver Jar: Announced Sep. 1, 2015 (online). Site Visited (Jul. 25, 2022). Available from Internet URL: <https://www.amazon.com/FoodSaver-FCARWJAH-000-Wide-Mouth-Regular-Accessory/dp/B016OL1AB6?th=1>.*

* cited by examiner

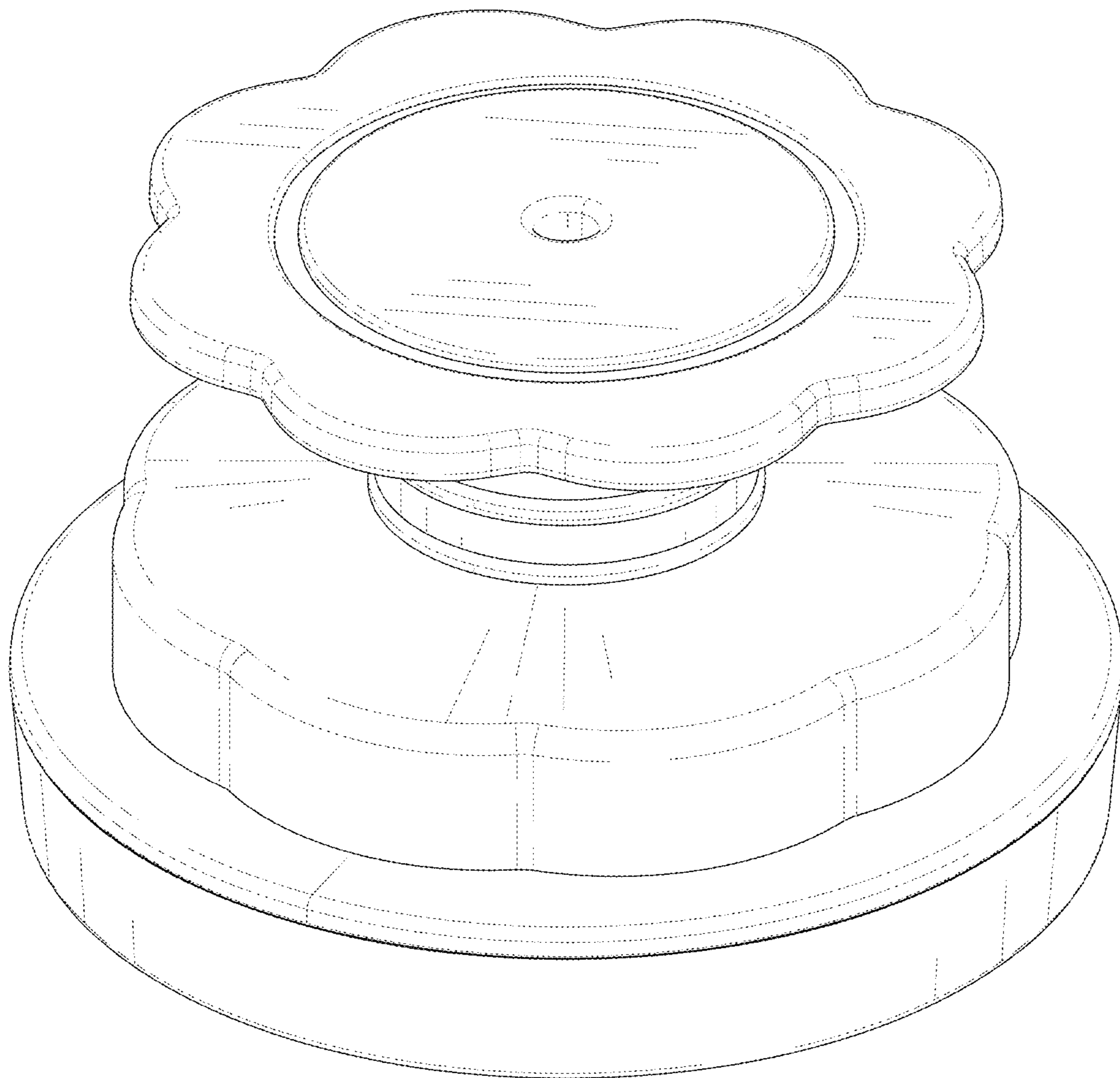


FIG. 1

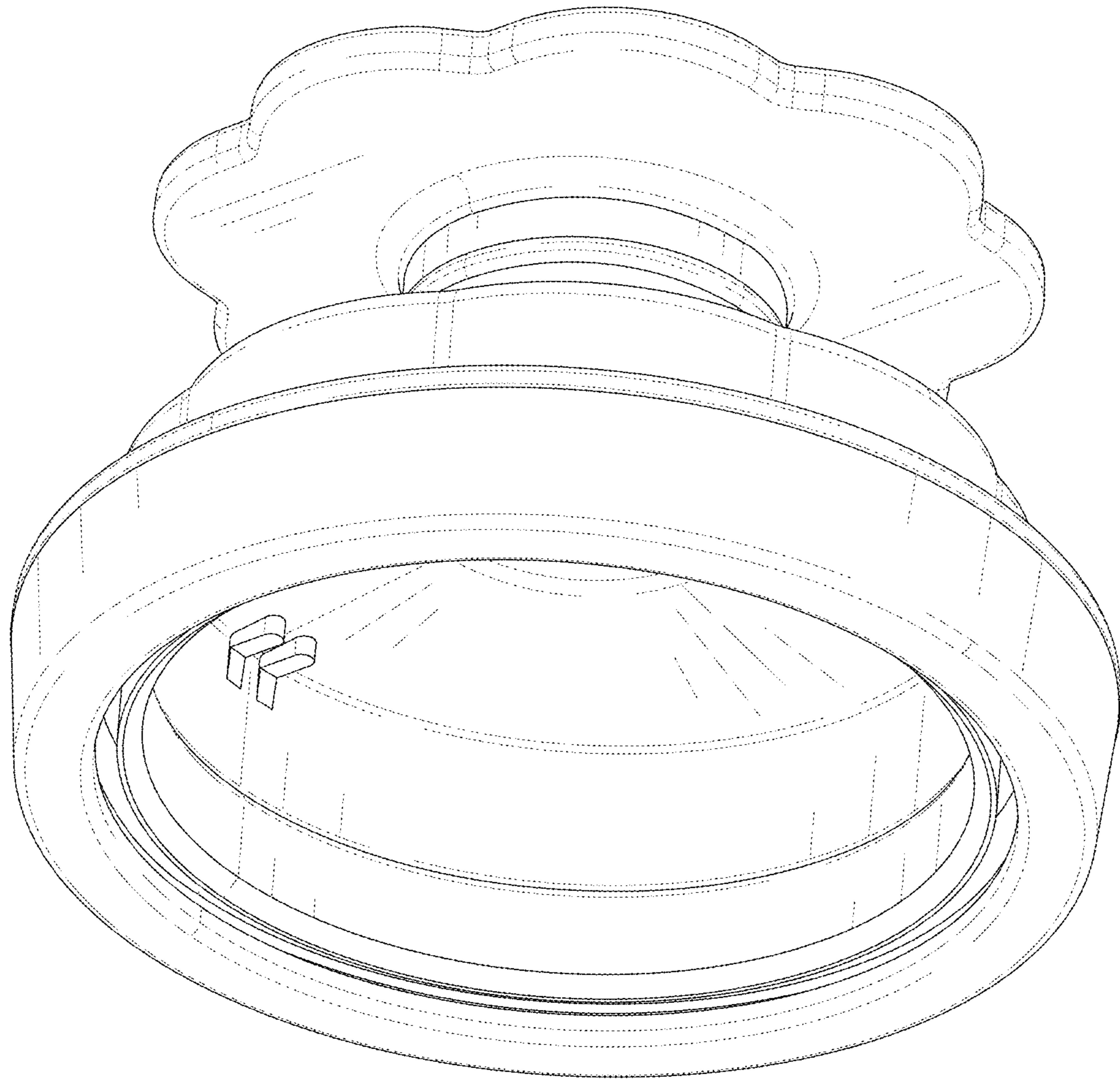


FIG. 2

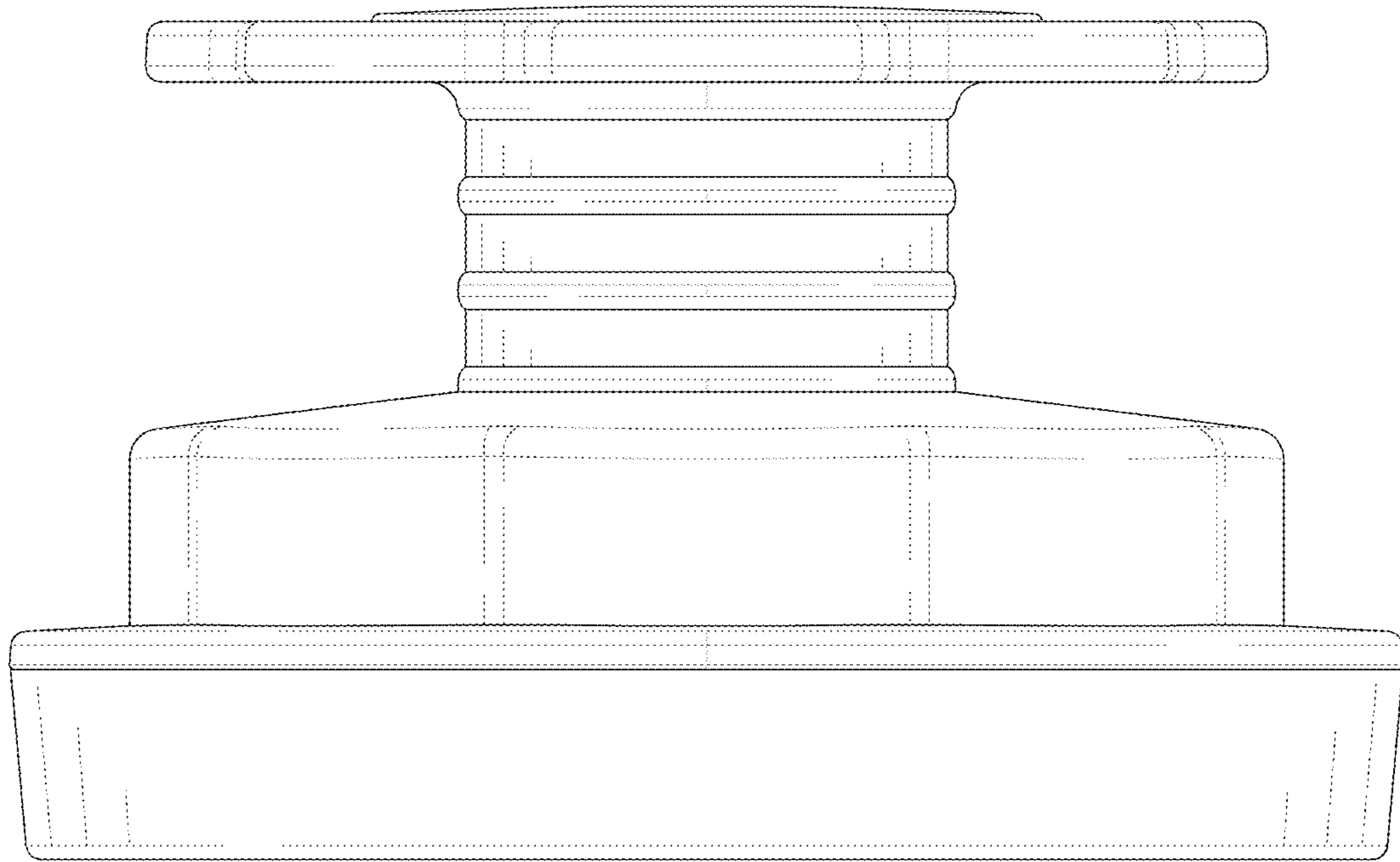


FIG. 3

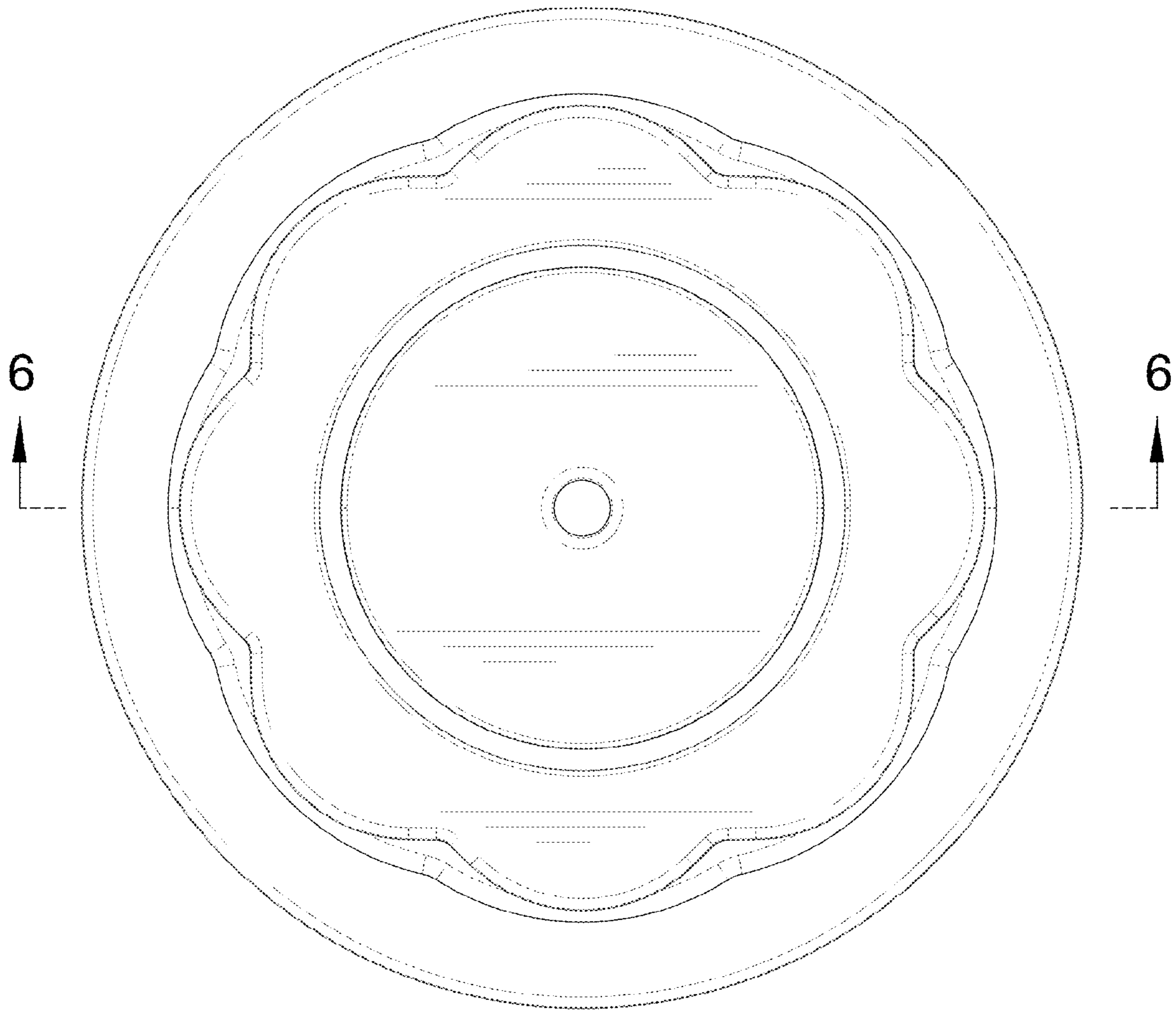


FIG.4

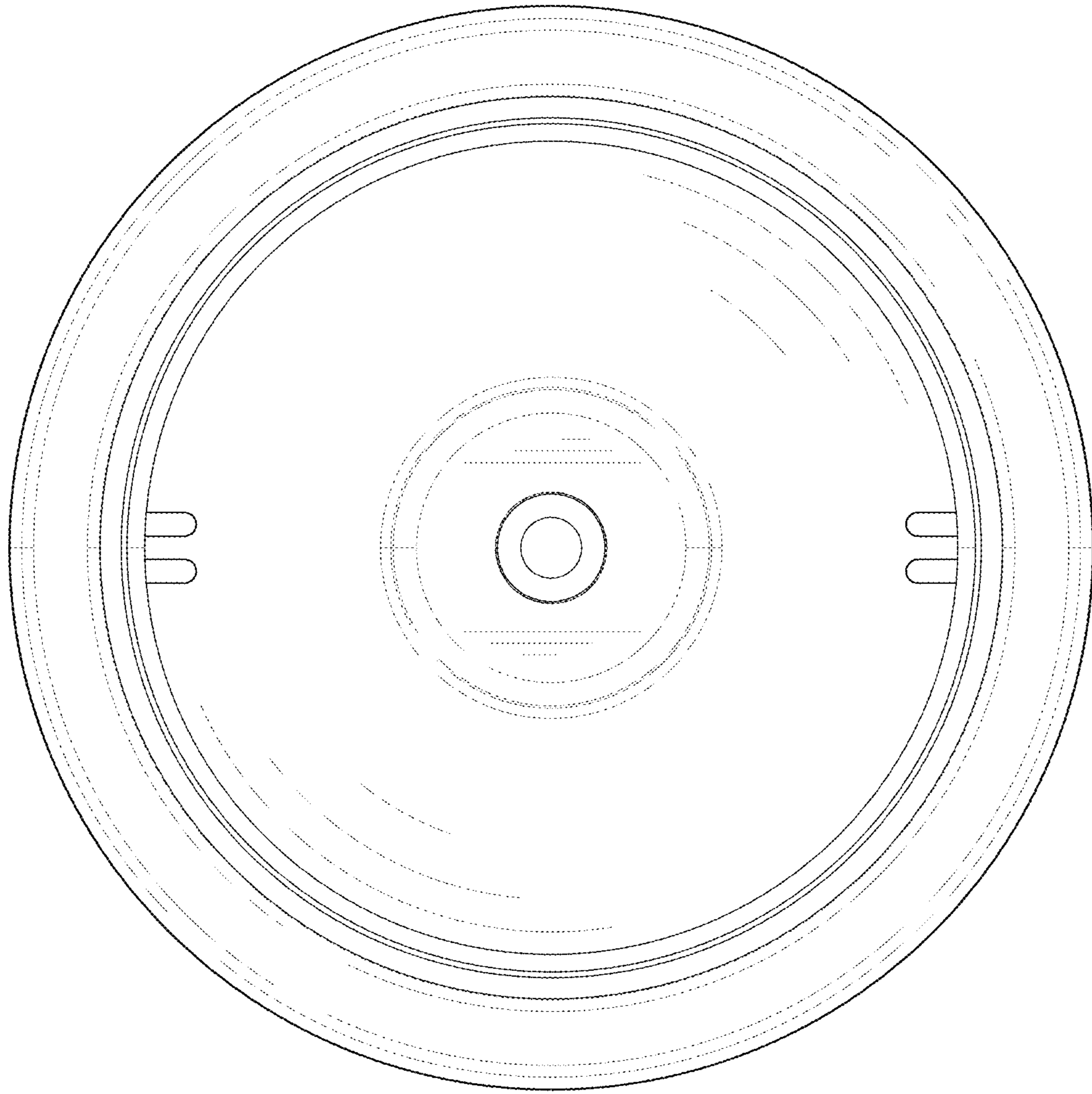


FIG. 5

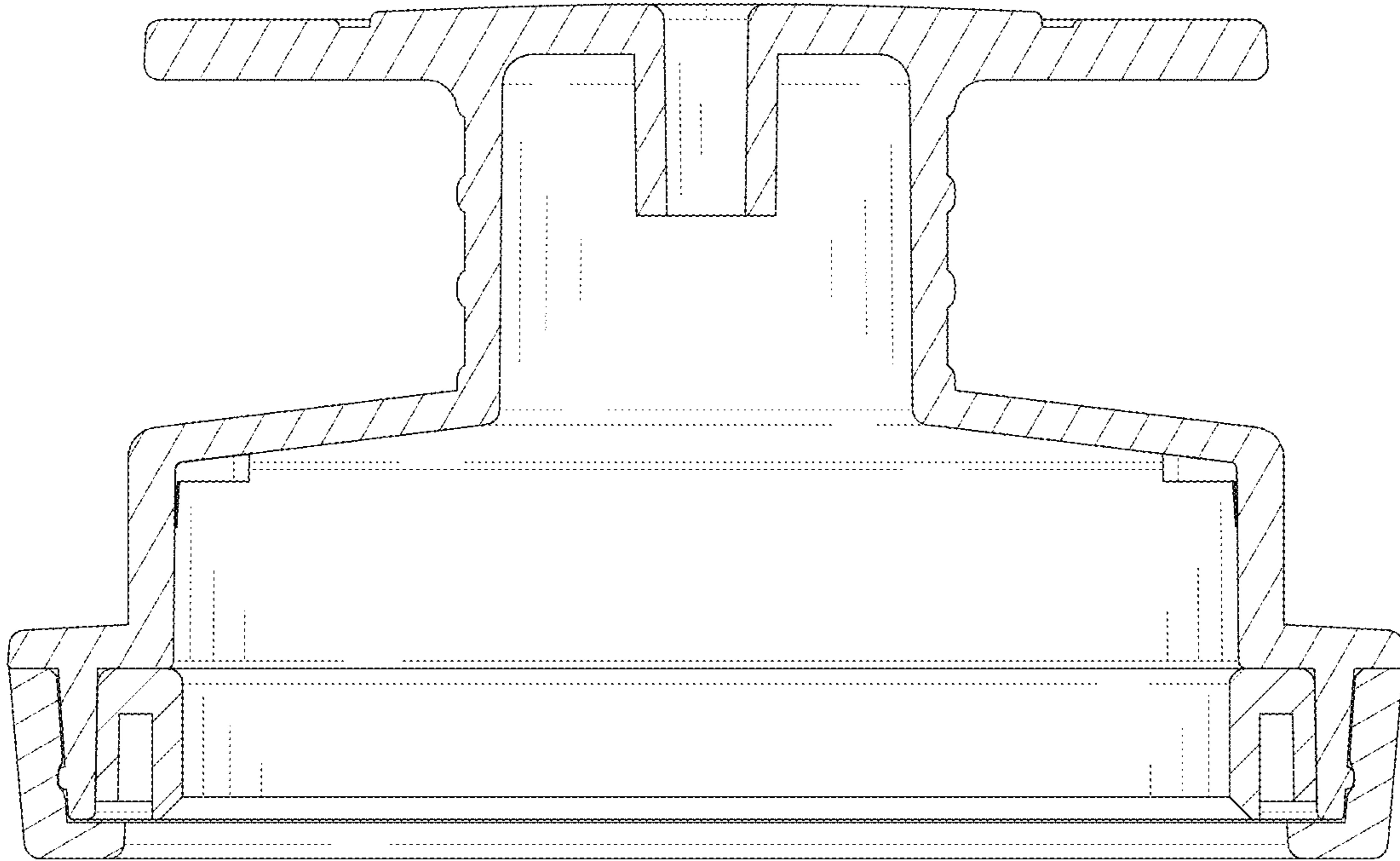


FIG. 6