

US00D970290S

(12) **United States Design Patent** (10) **Patent No.:** **US D970,290 S**
Zhuo (45) **Date of Patent:** **** Nov. 22, 2022**

- (54) **LID FOR BOTTLE**
- (71) Applicant: **Shenzhen Zhuoyue Innovation Trading Co., Ltd., Shenzhen (CN)**
- (72) Inventor: **Yue Zhuo, Putian (CN)**
- (73) Assignee: **Shenzhen Zhuoyue Innovation Trading Co., Ltd., Shenzhen (CN)**
- (**) Term: **15 Years**
- (21) Appl. No.: **29/836,055**
- (22) Filed: **Apr. 24, 2022**
- (51) **LOC (13) Cl.** **07-02**
- (52) **U.S. Cl.**
USPC **D7/392.1; D9/449**
- (58) **Field of Classification Search**
USPC D7/312, 313, 316, 387, 393, 396.1, D7/396.2, 397, 398, 400; D9/434-442, D9/446, 447, 451, 452, 453, 454; D23/206, 209, 238, 249, 255, 259, 260, D23/261, 265; D12/197
CPC A47J 31/0673; B65D 85/8046; B65D 2251/0015; B65D 2251/0071; B65D 2251/20; B65D 47/2031; A61J 1/2096; A61J 1/2051; A61J 1/14
See application file for complete search history.

(56) **References Cited**
U.S. PATENT DOCUMENTS

D758,790 S *	6/2016	Boroski	D7/392.1
D784,131 S *	4/2017	Jacobs	D9/436
D814,831 S *	4/2018	Modlin	D9/504
D822,429 S *	7/2018	Washburn	D7/387
D853,784 S *	7/2019	Wu	D7/392.1
D869,230 S *	12/2019	Hao	D9/449
D890,564 S *	7/2020	Hao	D9/449
D895,352 S *	9/2020	Yao	
D901,236 S *	11/2020	Yao	D7/392.1
D909,128 S *	2/2021	Hu	D7/396.2
D922,136 S *	6/2021	Lin et al.	
D923,397 S *	6/2021	Lin	D9/449
D937,036 S *	11/2021	Shi	D7/392.1

D942,808 S *	2/2022	Wang	D7/392.1
D943,343 S *	2/2022	Wang	D7/392.1
2015/0282654 A1 *	10/2015	Kurabe	A47G 19/2272 220/254.5

OTHER PUBLICATIONS

Flip Top Bottle Cap: Site Visited [Jul. 30, 2022]/Available from Internet URL: <https://www.globalsources.com/Lid-bottle/SS-86-17-flip-top-bottle-cap-1150651323p.htm>.*

Sport Cap: Announced Oct. 4, 2022 (online). Site Visited (Jul. 30, 2022). Available from Internet URL: https://drinksoma.com/products/sport-cap?variant=31926656893041¤cy=USD&utm_medium=product_sync&utm_source=google&utm_content=sag_organic&utm_campaign=sag_organic&gclid=CjwKCAjwrZOXBhACEiwaA0EoRD-F_cjkbzsZ1IFxxG4VXp46_rTcoYu7eJ3pSOqsLShfsP0yl1GM4TBoCKf0QAvD_BwE#eci-product-reviews.*

* cited by examiner

Primary Examiner — Catherine S Posthauer
(74) *Attorney, Agent, or Firm* — Jeenam Park

(57) **CLAIM**

The ornamental design for a lid for bottle, as shown and described.

DESCRIPTION

FIG. 1 is a perspective view of a lid for bottle, showing my new design;

FIG. 2 is a perspective view in an open configuration thereof;

FIG. 3 is another perspective view thereof;

FIG. 4 is a front view thereof;

FIG. 5 is a rear view thereof;

FIG. 6 is a left side view thereof;

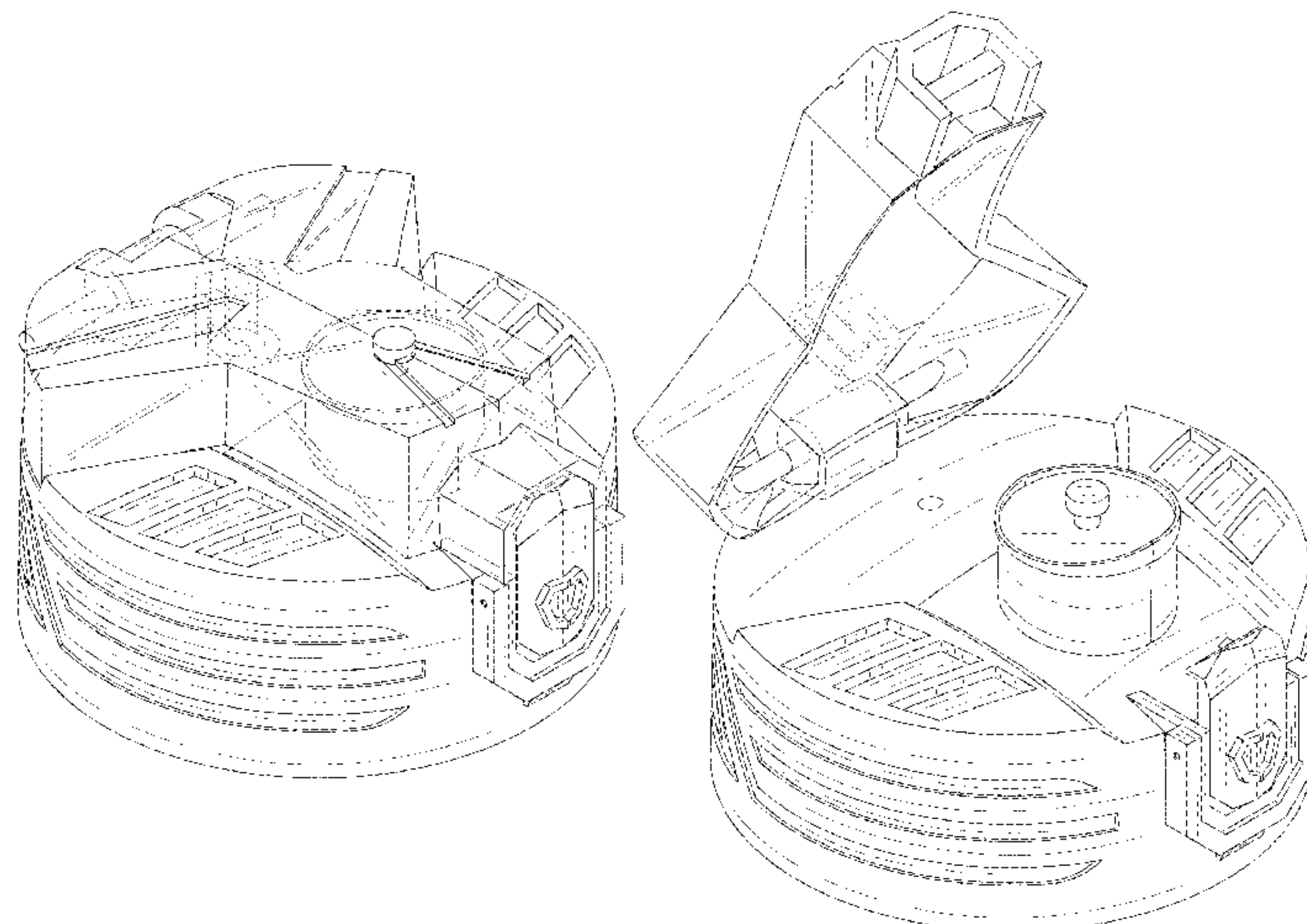
FIG. 7 is a right side view thereof;

FIG. 8 is a top plan view thereof; and,

FIG. 9 is a bottom plan view thereof.

The broken lines are shown for the purpose of illustrating parts of the article that form no part of the claimed design.

1 Claim, 9 Drawing Sheets



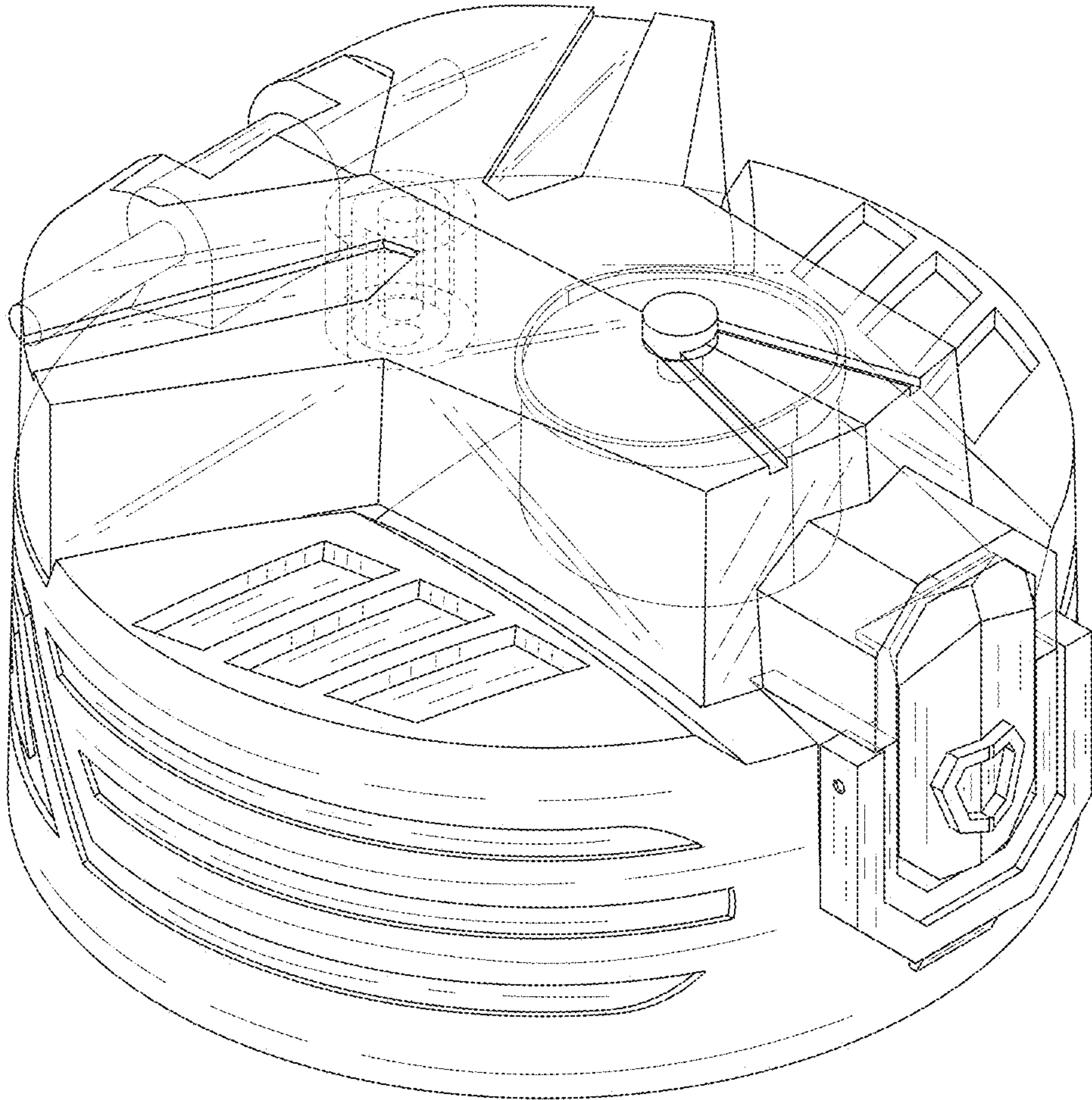


FIG. 1

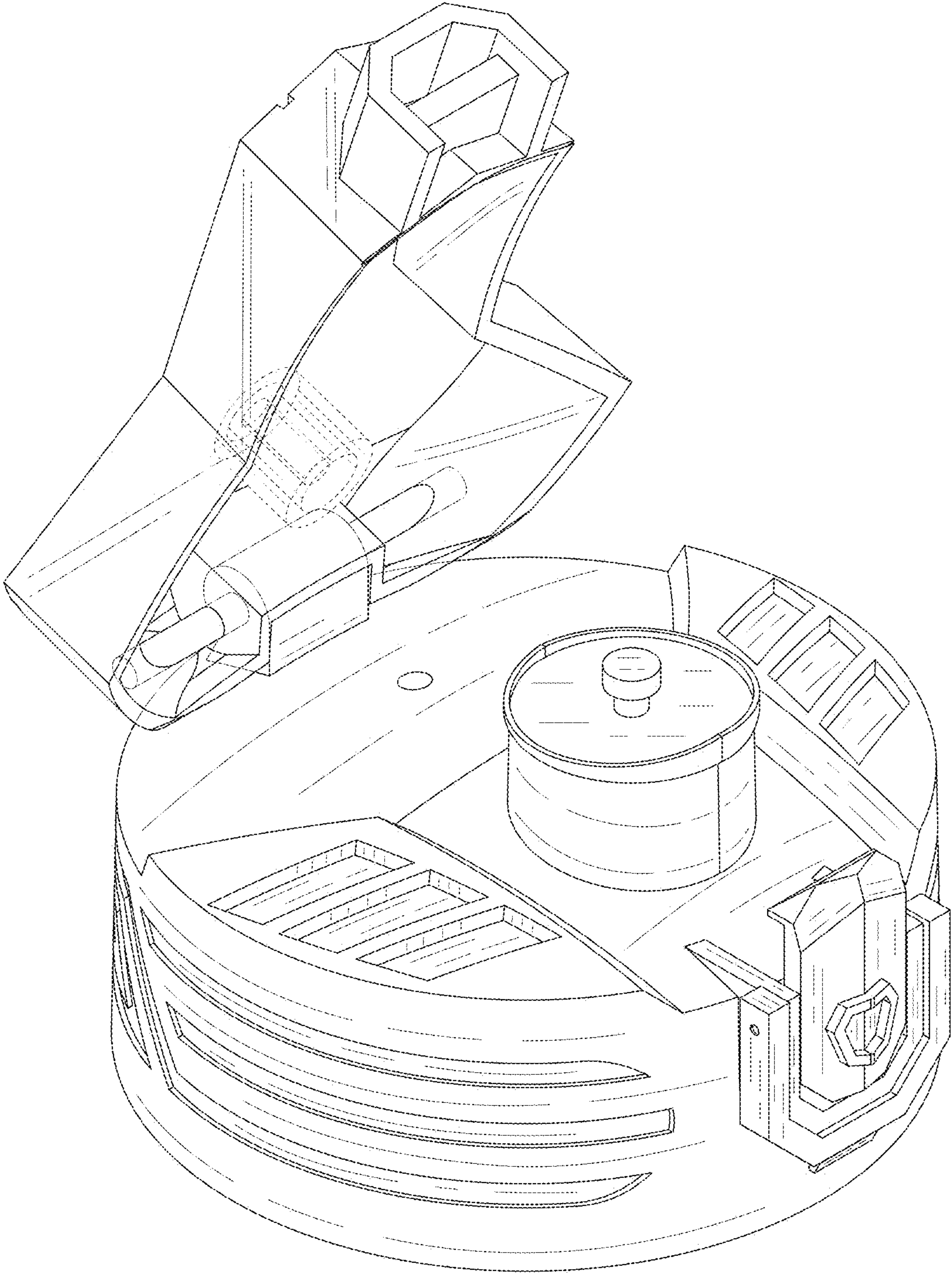


FIG. 2

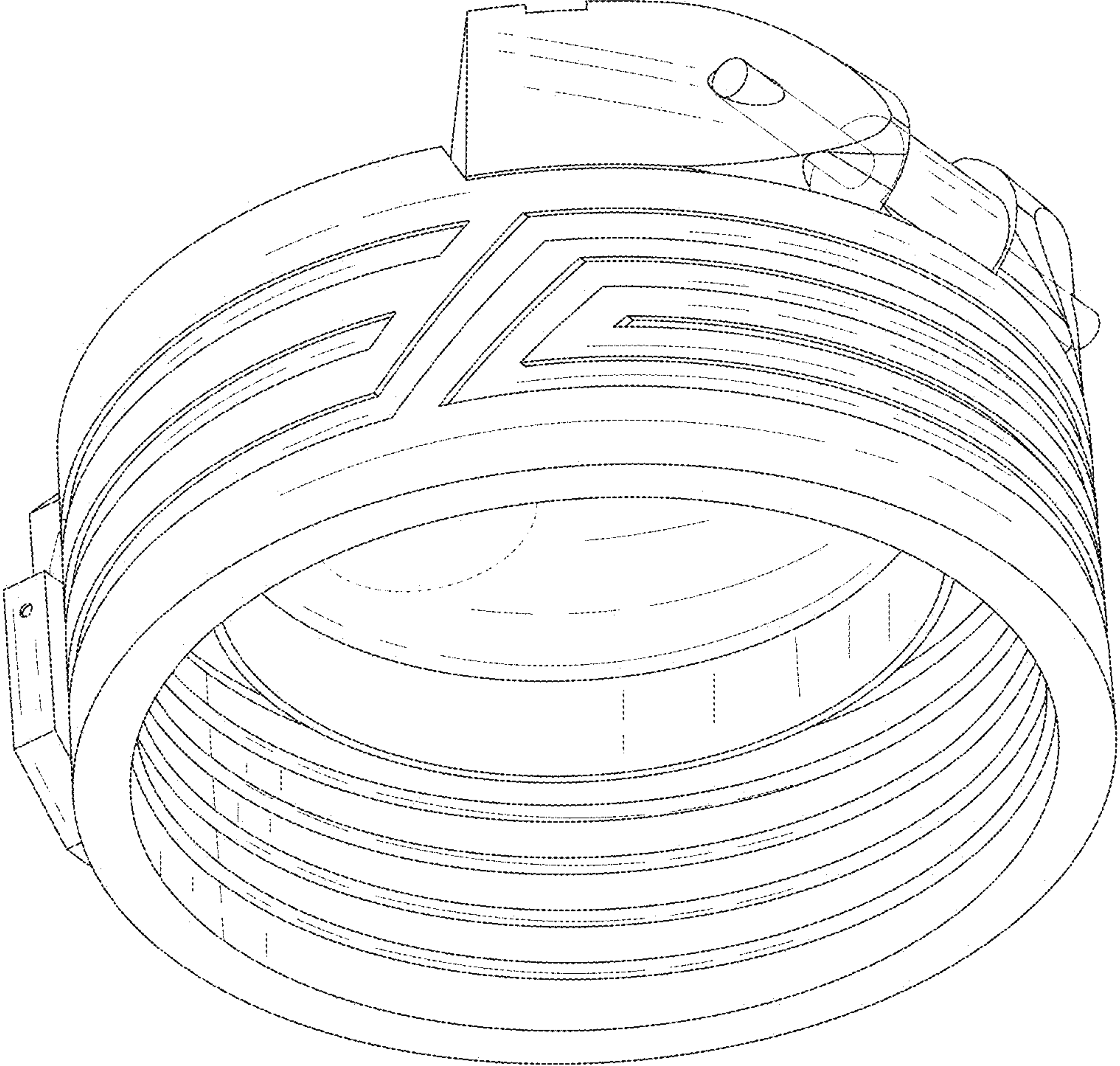


FIG. 3

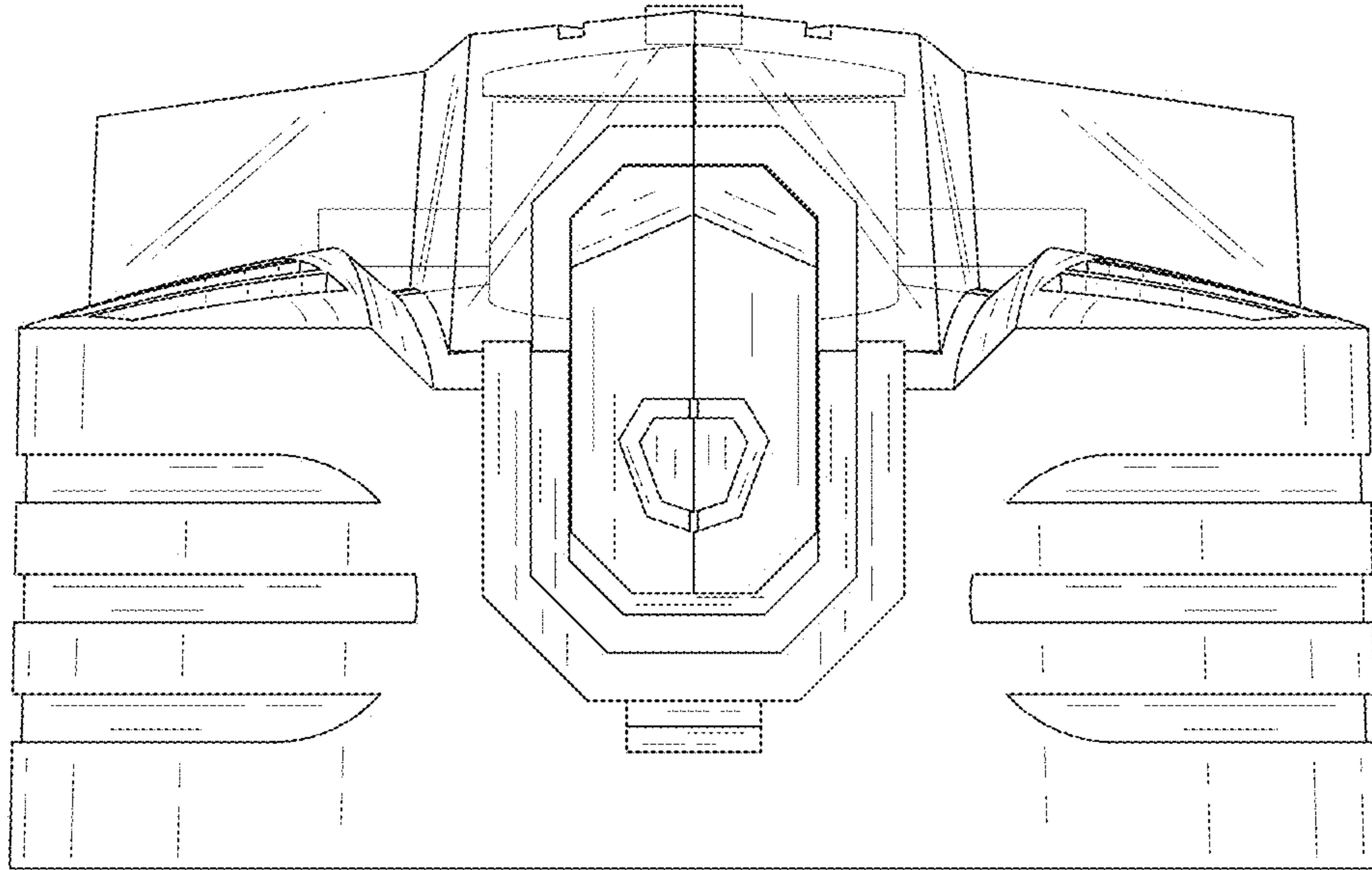


FIG. 4

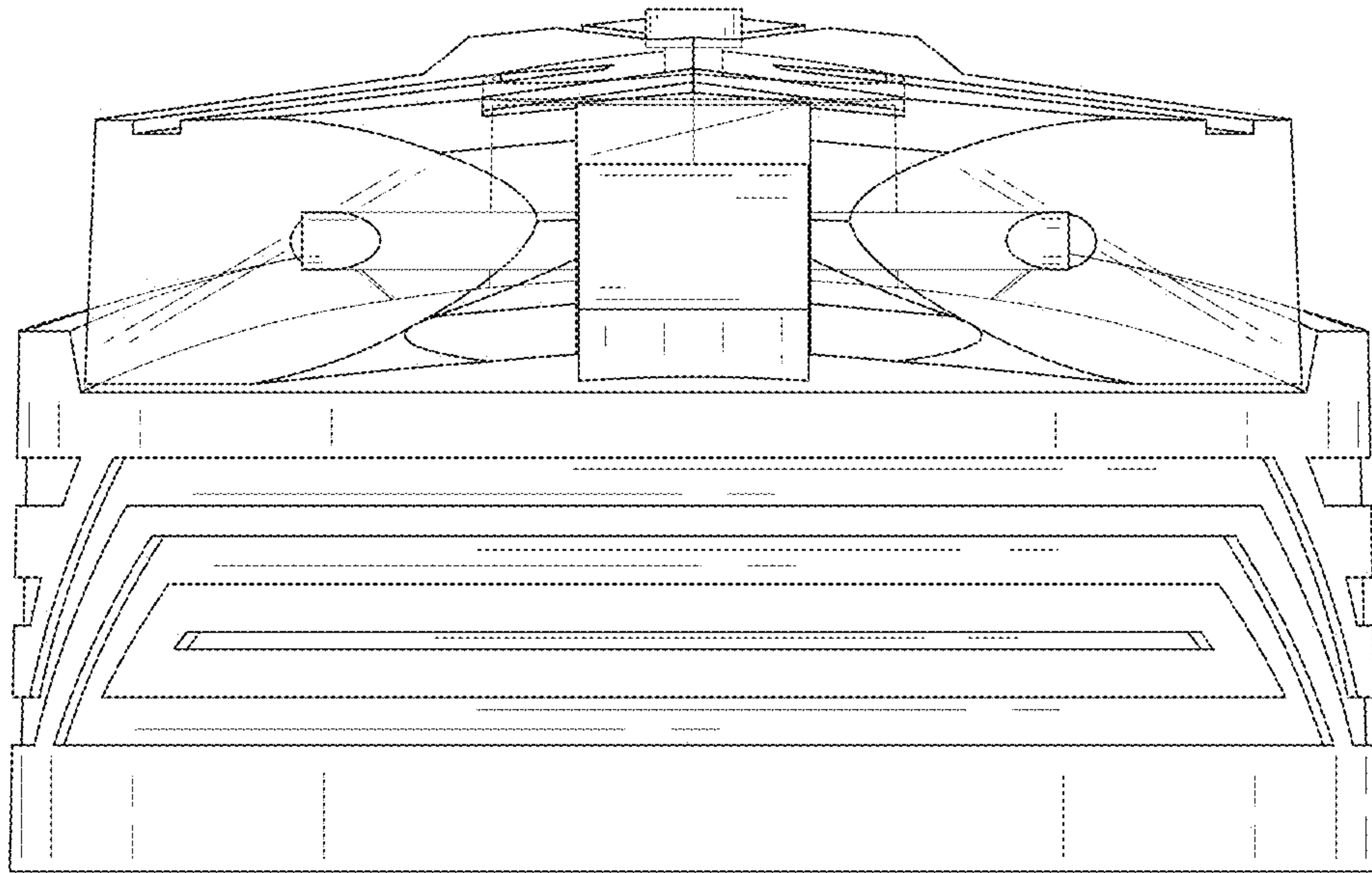


FIG. 5

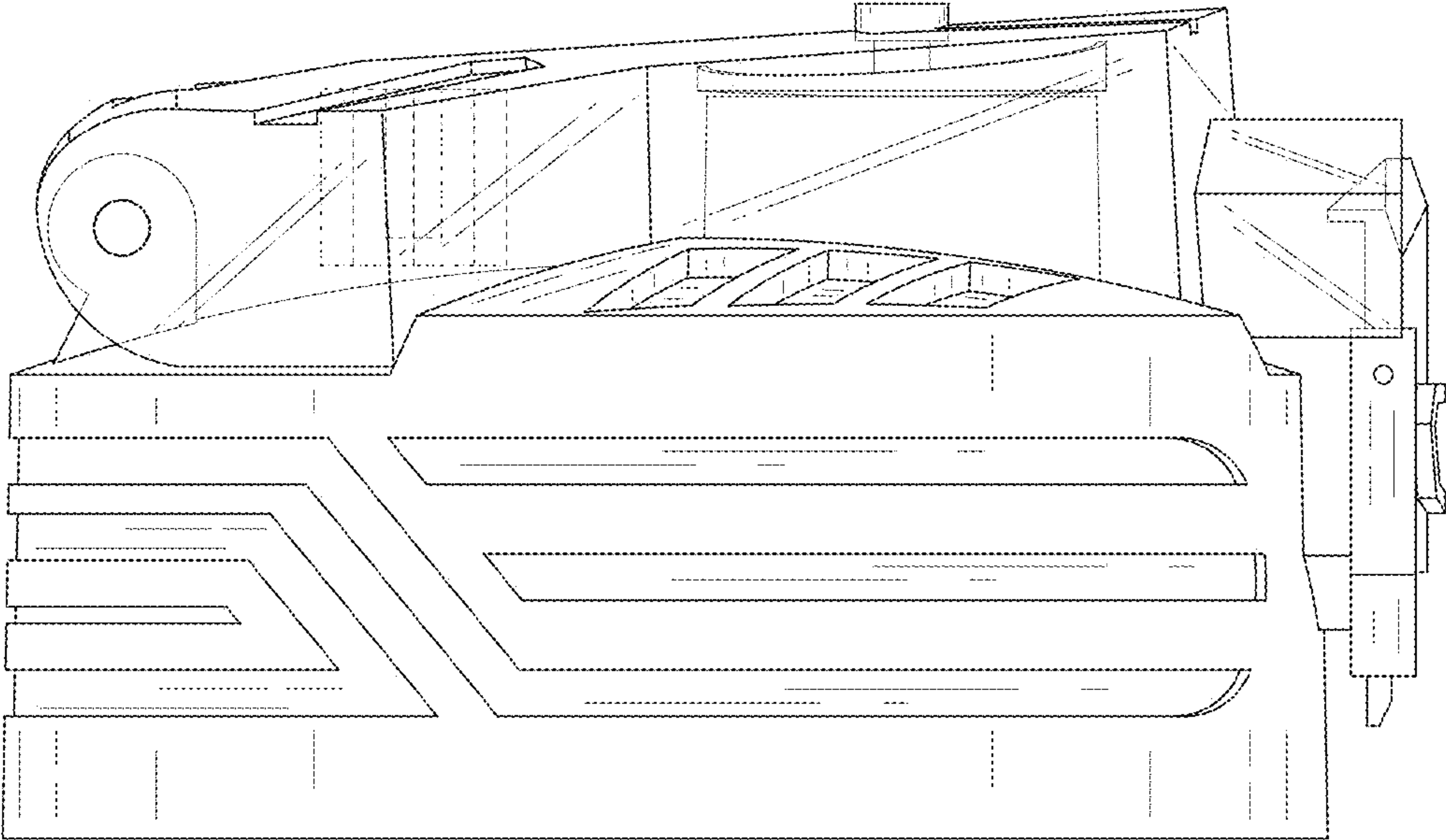


FIG. 6

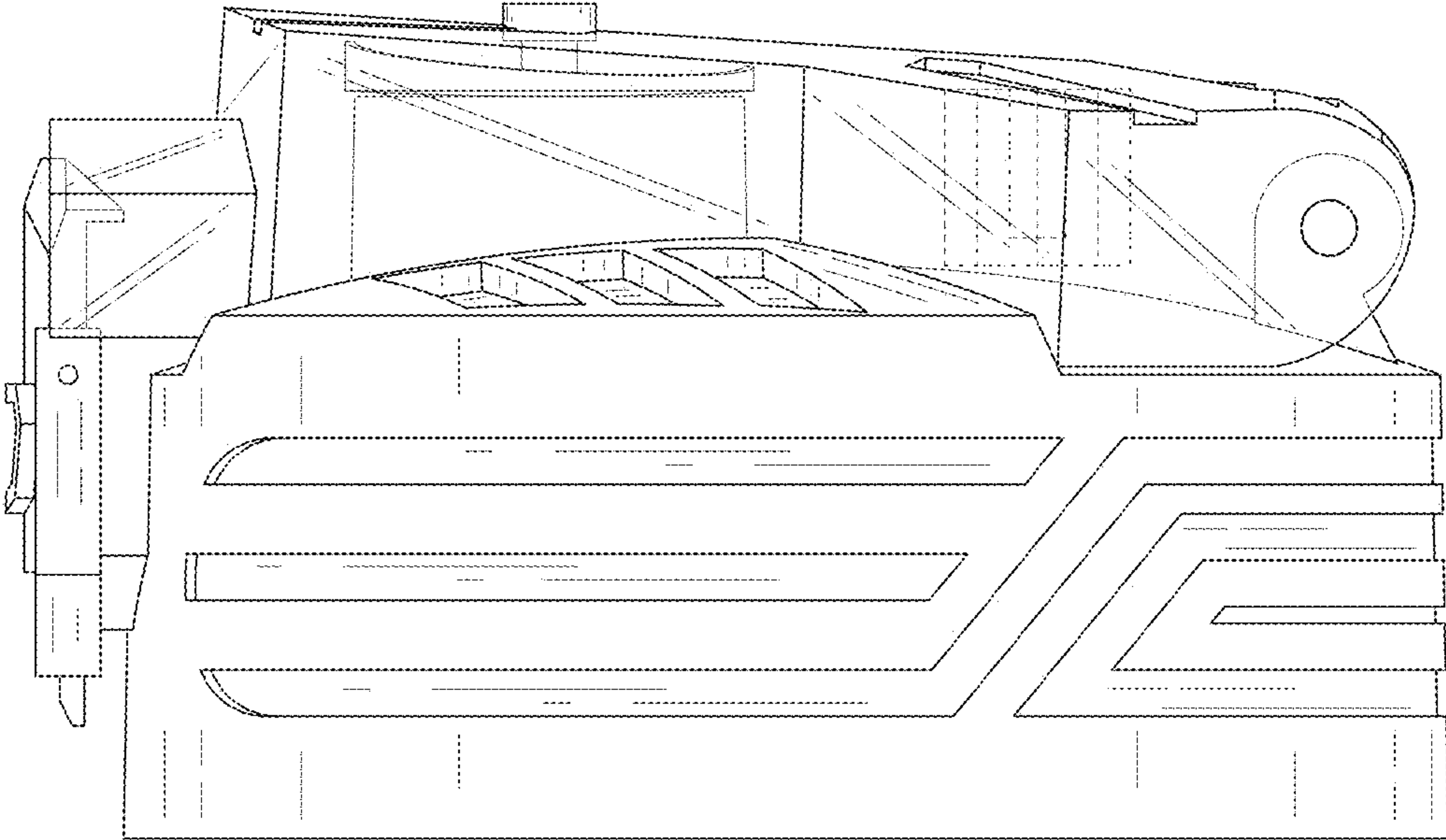


FIG. 7

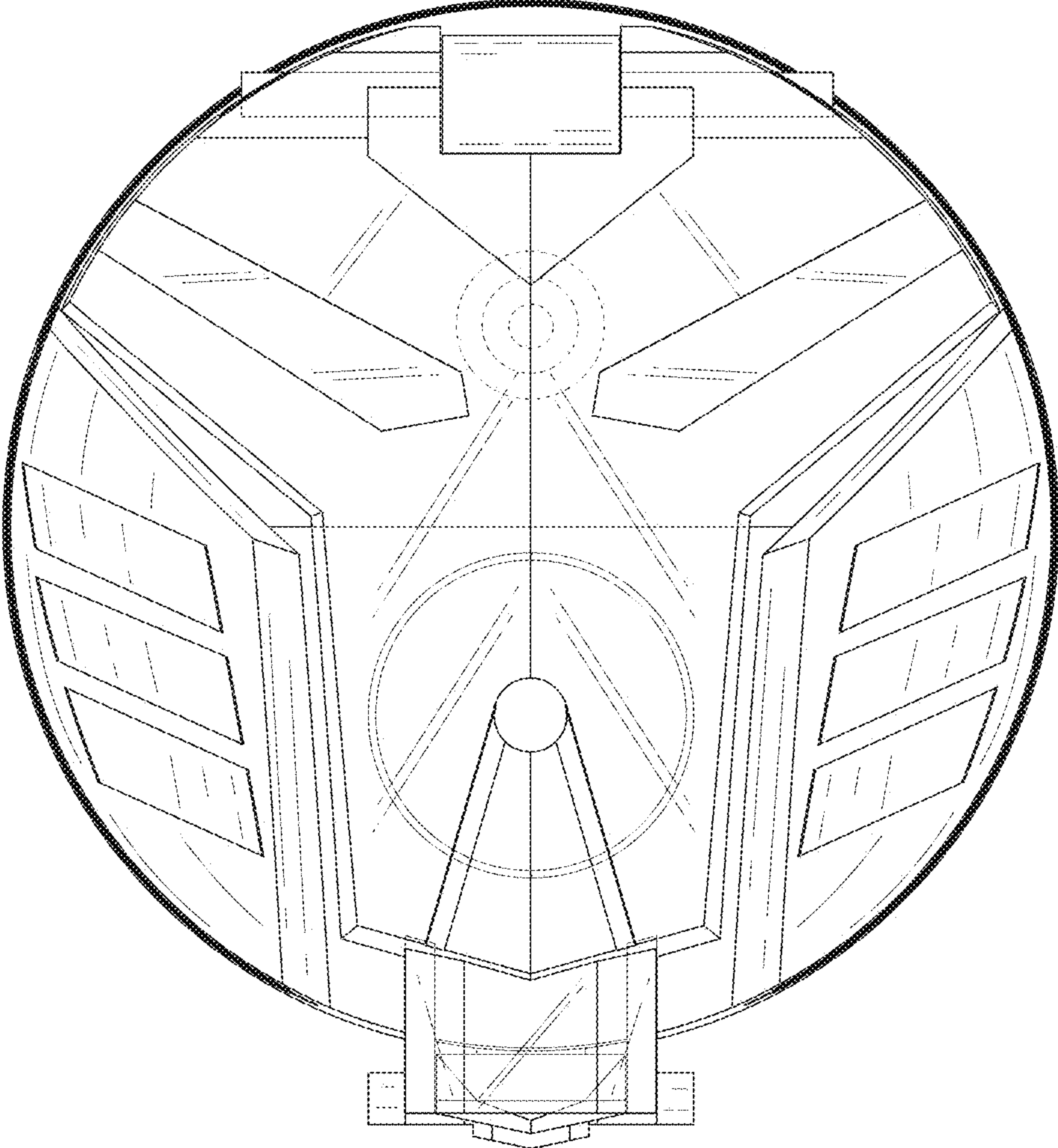


FIG. 8

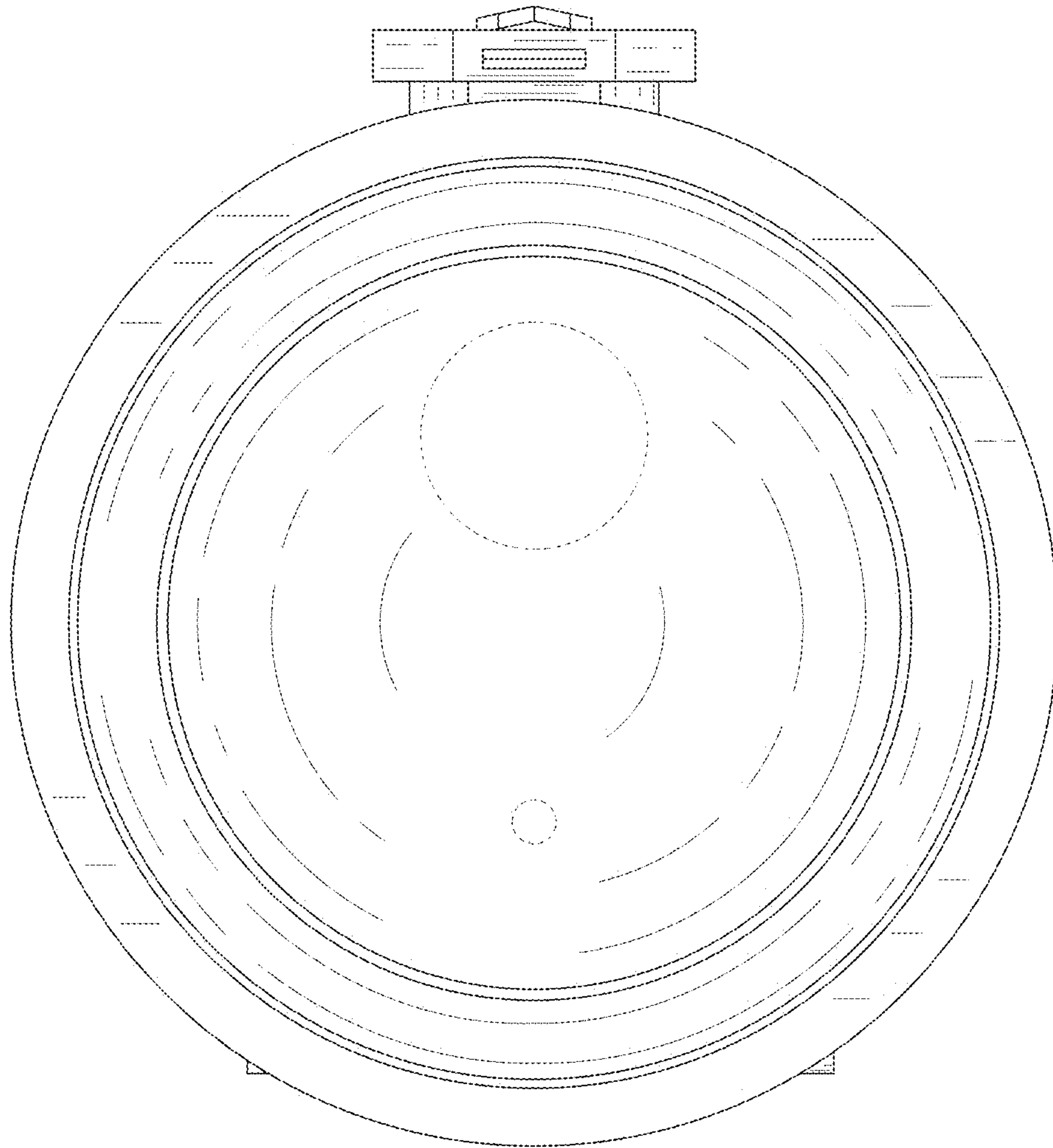


FIG. 9