

US00D970289S

(12) **United States Design Patent**  
**Chen**

(10) **Patent No.:** **US D970,289 S**

(45) **Date of Patent:** **\*\* Nov. 22, 2022**

(54) **BOTTLE LID**

(71) Applicant: **Wenfang Chen**, Xiamen (CN)

(72) Inventor: **Wenfang Chen**, Xiamen (CN)

(\*\*) Term: **15 Years**

(21) Appl. No.: **29/808,625**

(22) Filed: **Sep. 22, 2021**

(51) **LOC (13) Cl.** ..... **07-02**

(52) **U.S. Cl.**  
USPC ..... **D7/392.1**; D9/443; D7/396.2

(58) **Field of Classification Search**  
USPC ..... D7/392, 392.1, 619.1, 507, 509–511;  
D9/443, 439, 440, 435, 531  
CPC . A47G 19/2272; B65D 83/205; B65D 83/206  
See application file for complete search history.

(56) **References Cited**

**U.S. PATENT DOCUMENTS**

D729,569 S *	5/2015	Herbst	.....	D7/510
D756,702 S *	5/2016	Joseph	.....	D7/392.1
D808,711 S *	1/2018	Joseph	.....	D7/392.1
D811,810 S *	3/2018	Joseph	.....	D7/392.1
D814,855 S *	4/2018	Hammer	.....	D7/392.1
D862,156 S *	10/2019	Meyers	.....	D7/392.1
10,455,959 B2 *	10/2019	Coon	.....	B65D 47/0871
D870,508 S *	12/2019	Palkon	.....	D7/392.1
10,858,158 B2 *	12/2020	Cheng	.....	B65D 47/066
D911,101 S *	2/2021	Fang	.....	D9/450
D917,953 S	5/2021	Yao		
D920,737 S *	6/2021	Armistead	.....	D7/392
D922,136 S	6/2021	Lin et al.		

D938,223 S *	12/2021	Chen	.....	D7/392.1
2012/0187075 A1 *	7/2012	El-Saden	.....	B65D 51/242 215/389
2019/0161251 A1 *	5/2019	Fang	.....	B65D 47/066

**OTHER PUBLICATIONS**

Amazon website, Arslø Stainless Steel Water Bottles Insulated, Earliest review date Dec. 28, 2021, [site visited Sep. 14, 2022], Available on the Internet URL [www.amazon.com/Arslo-Stainless-Insulated-Sweat-proof-Christmas/dp/B097MHDP5C](http://www.amazon.com/Arslo-Stainless-Insulated-Sweat-proof-Christmas/dp/B097MHDP5C) (Year: 2021).\*

\* cited by examiner

*Primary Examiner* — S. Bryan Reinholdt, Jr.

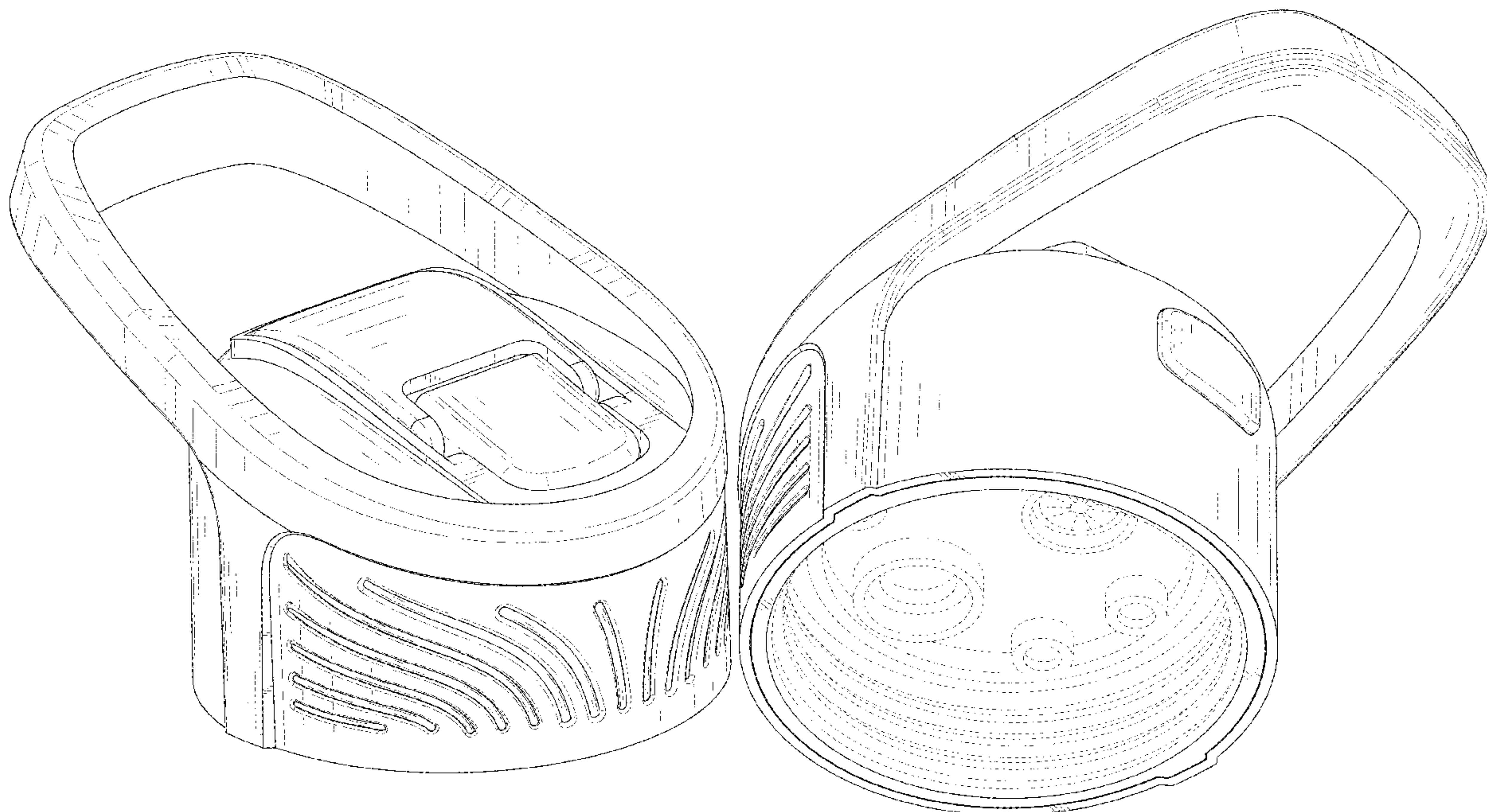
(57) **CLAIM**

The ornamental design for a bottle lid, as shown and described.

**DESCRIPTION**

FIG. 1 is a perspective view of a bottle lid showing my new design;  
FIG. 2 is another perspective view thereof;  
FIG. 3 is a front elevational view thereof;  
FIG. 4 is a rear elevational view thereof;  
FIG. 5 is a left side elevational view thereof;  
FIG. 6 is a right side elevational view thereof;  
FIG. 7 is a top plan view thereof;  
FIG. 8 is a bottom plan view thereof; and,  
FIG. 9 is a perspective view of the bottle lid in a configuration of use with environment.  
The broken lines in FIGS. 2 and 8 depict portions of the bottle lid that form no part of the claimed design. The broken lines in FIG. 9 depict environment of a bottle that forms no part of the claimed design.

**1 Claim, 9 Drawing Sheets**



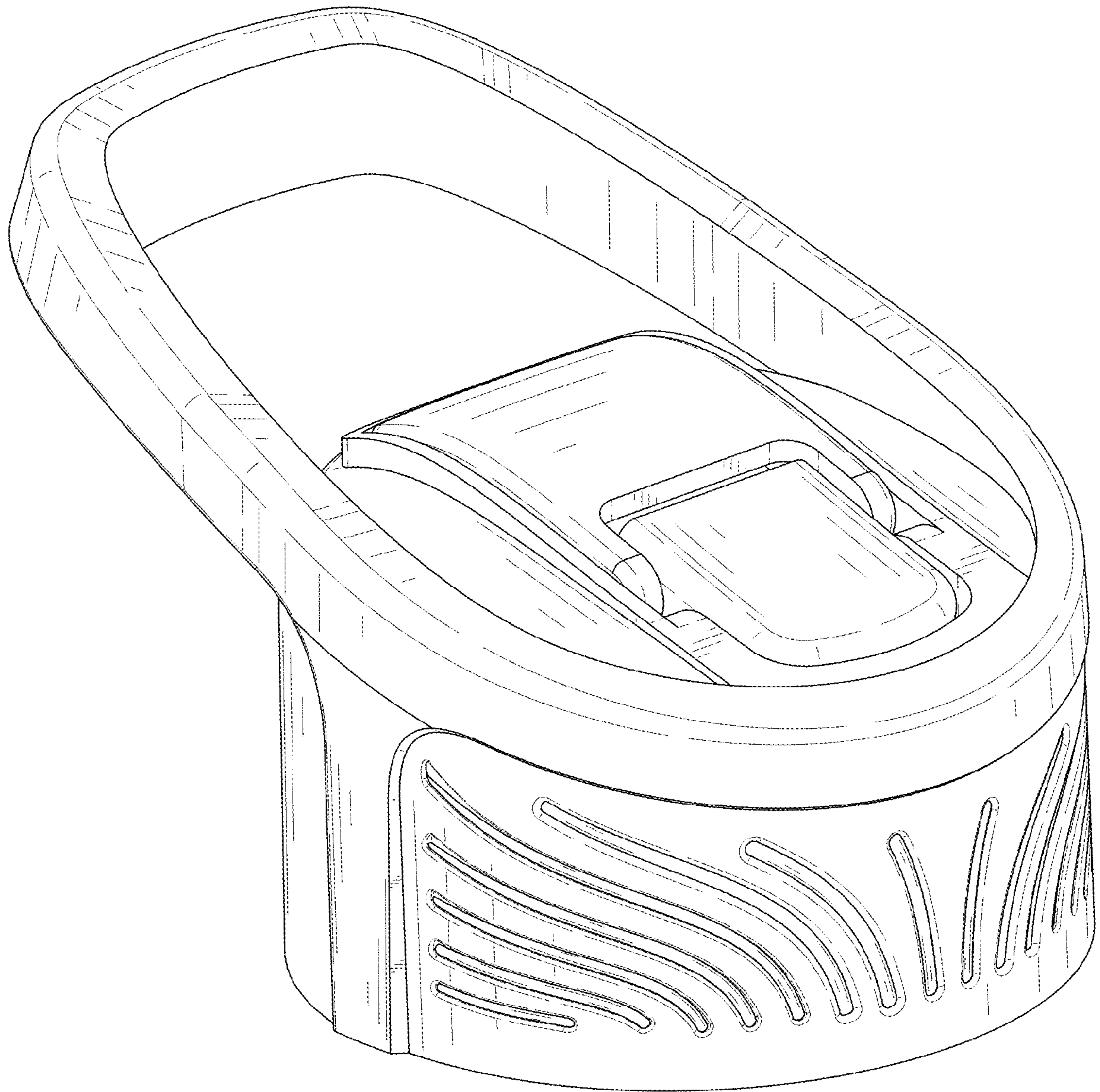


FIG. 1



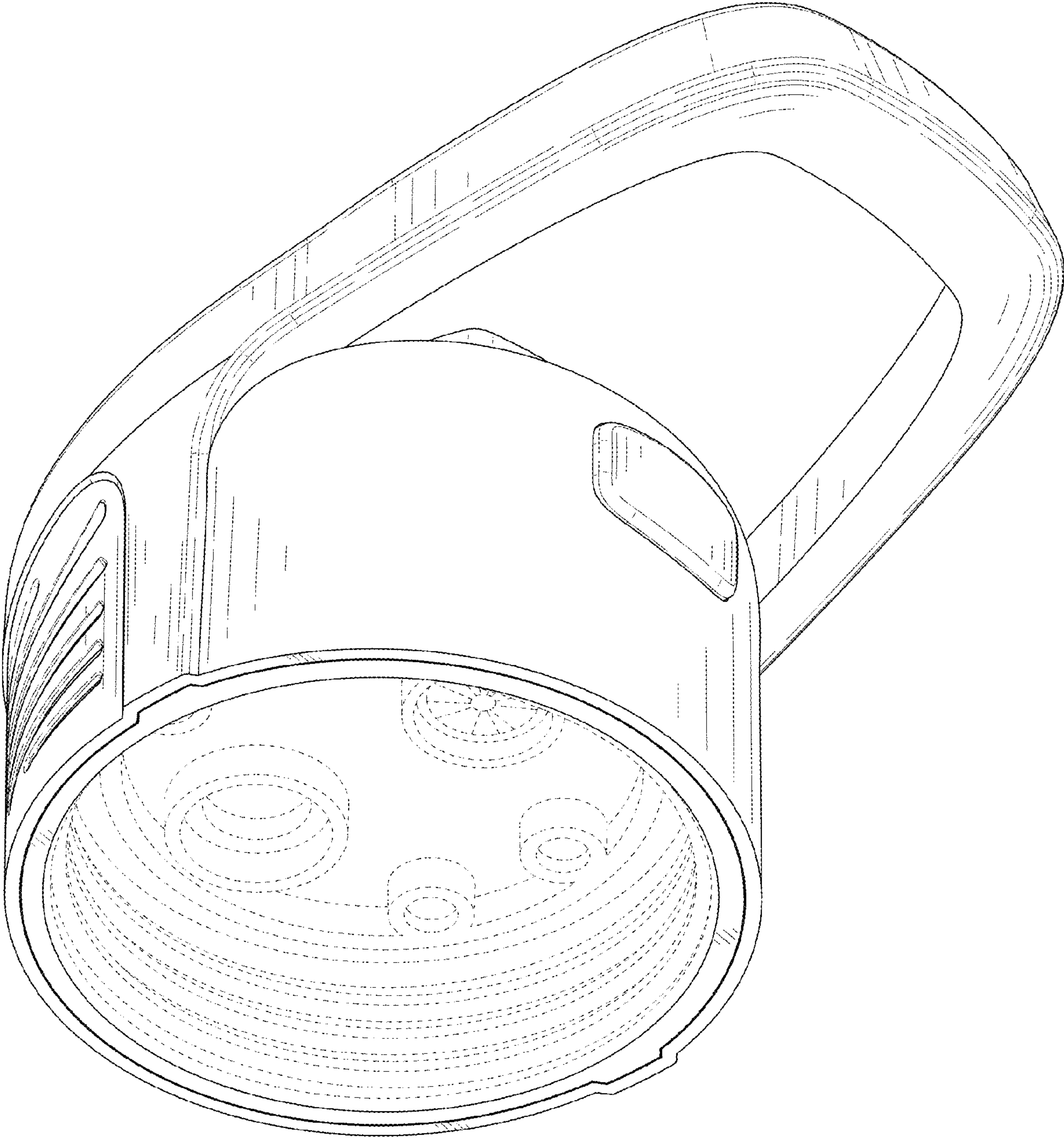


FIG. 2

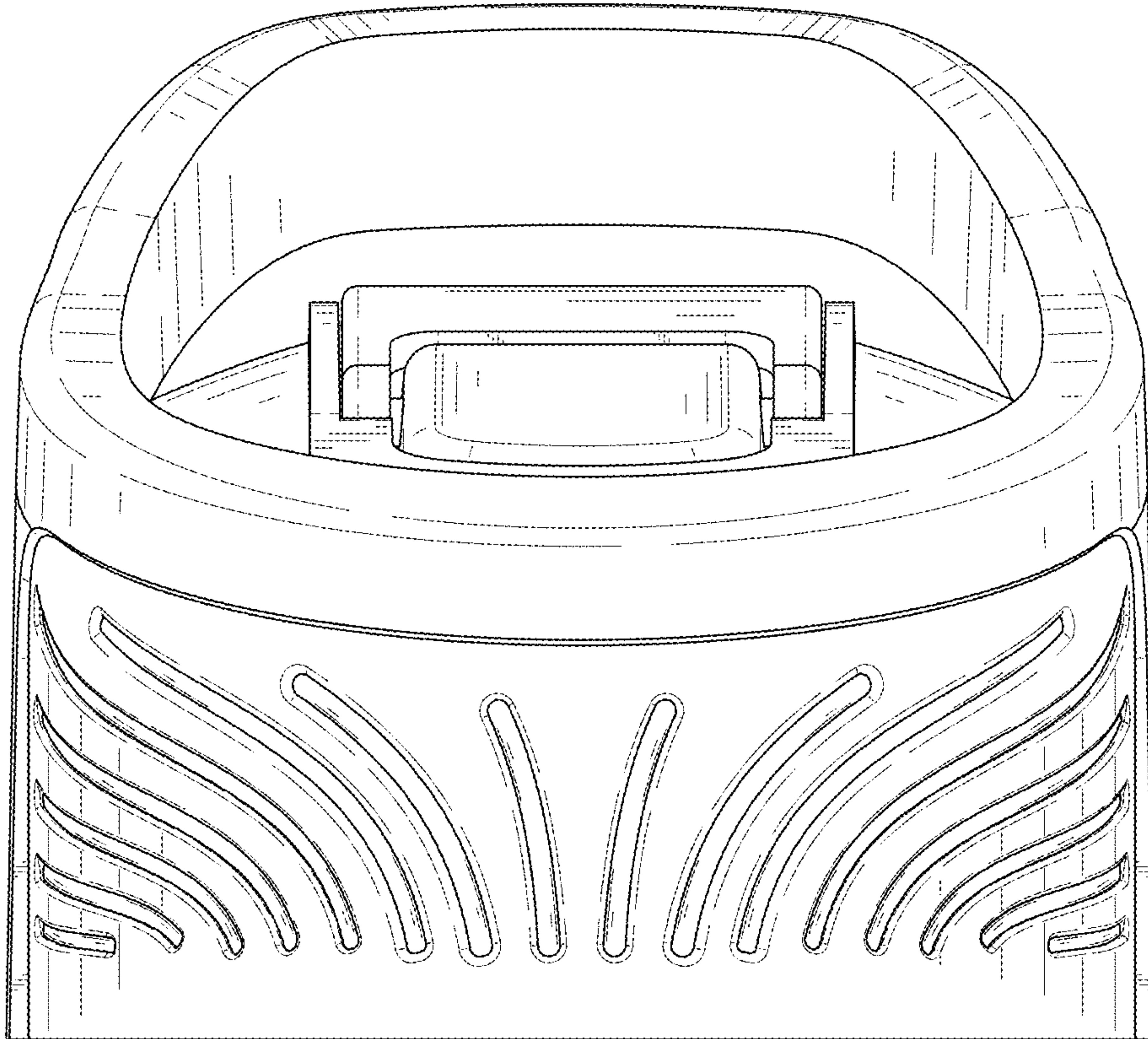


FIG. 3

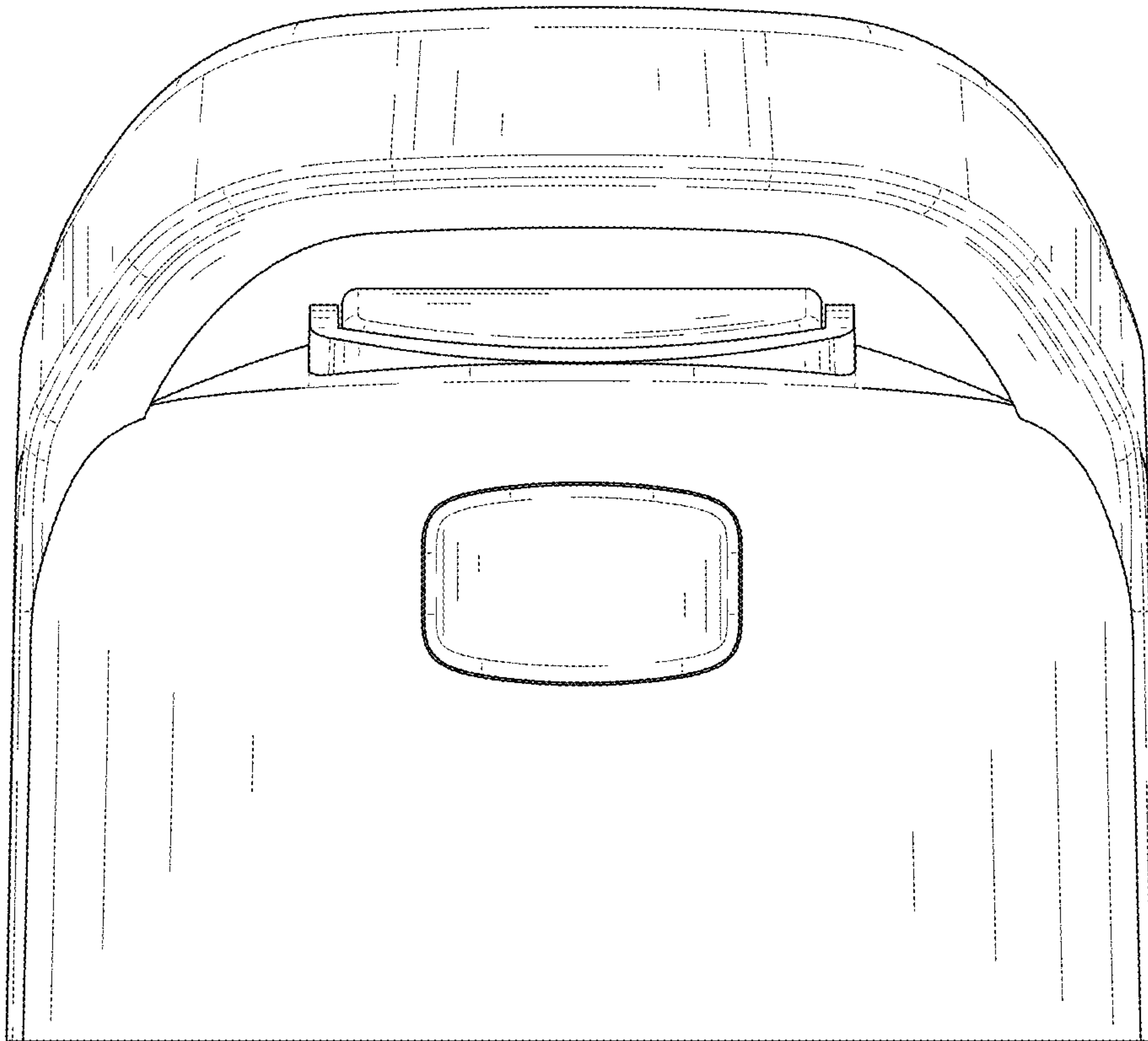


FIG. 4

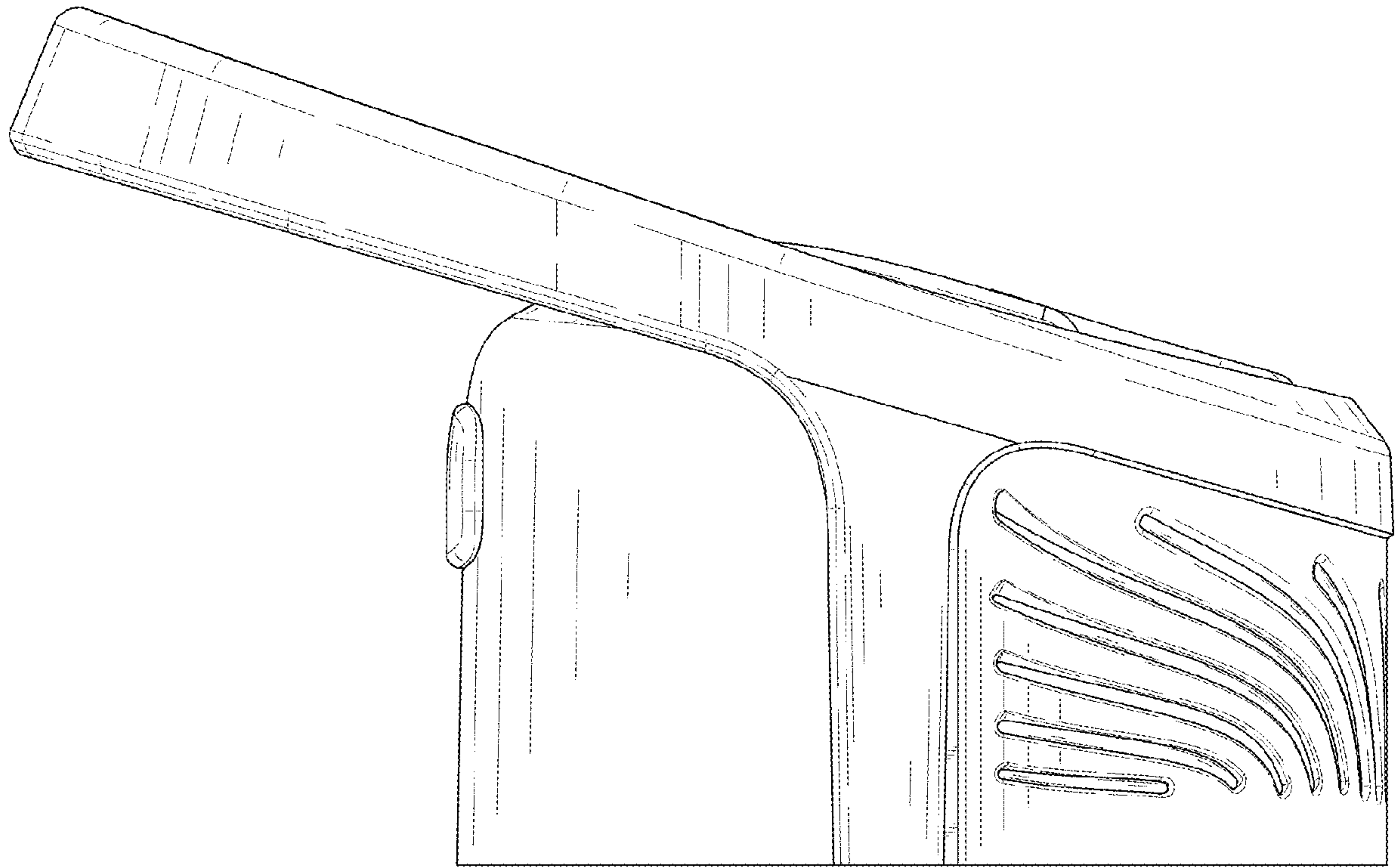


FIG. 5

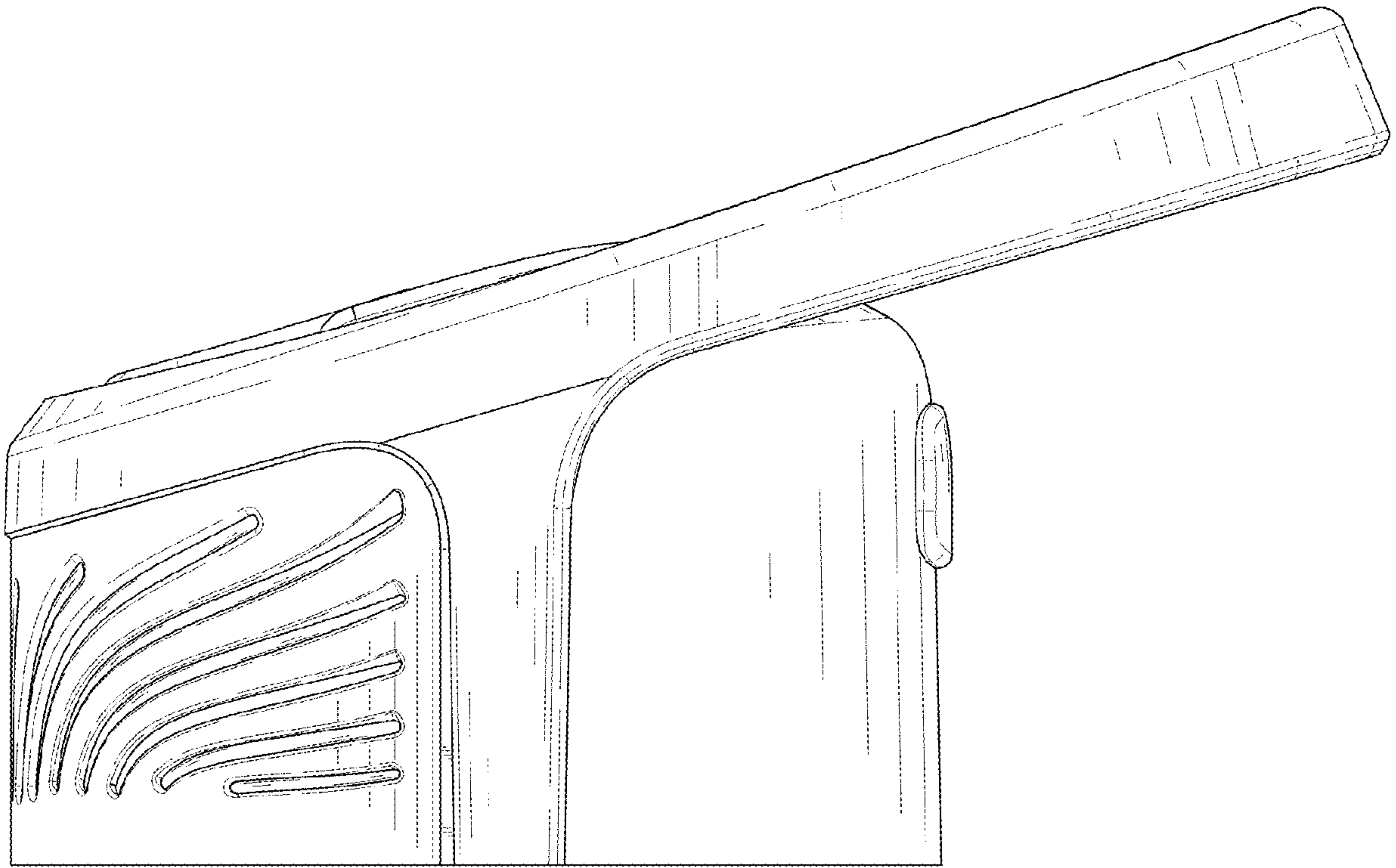


FIG. 6



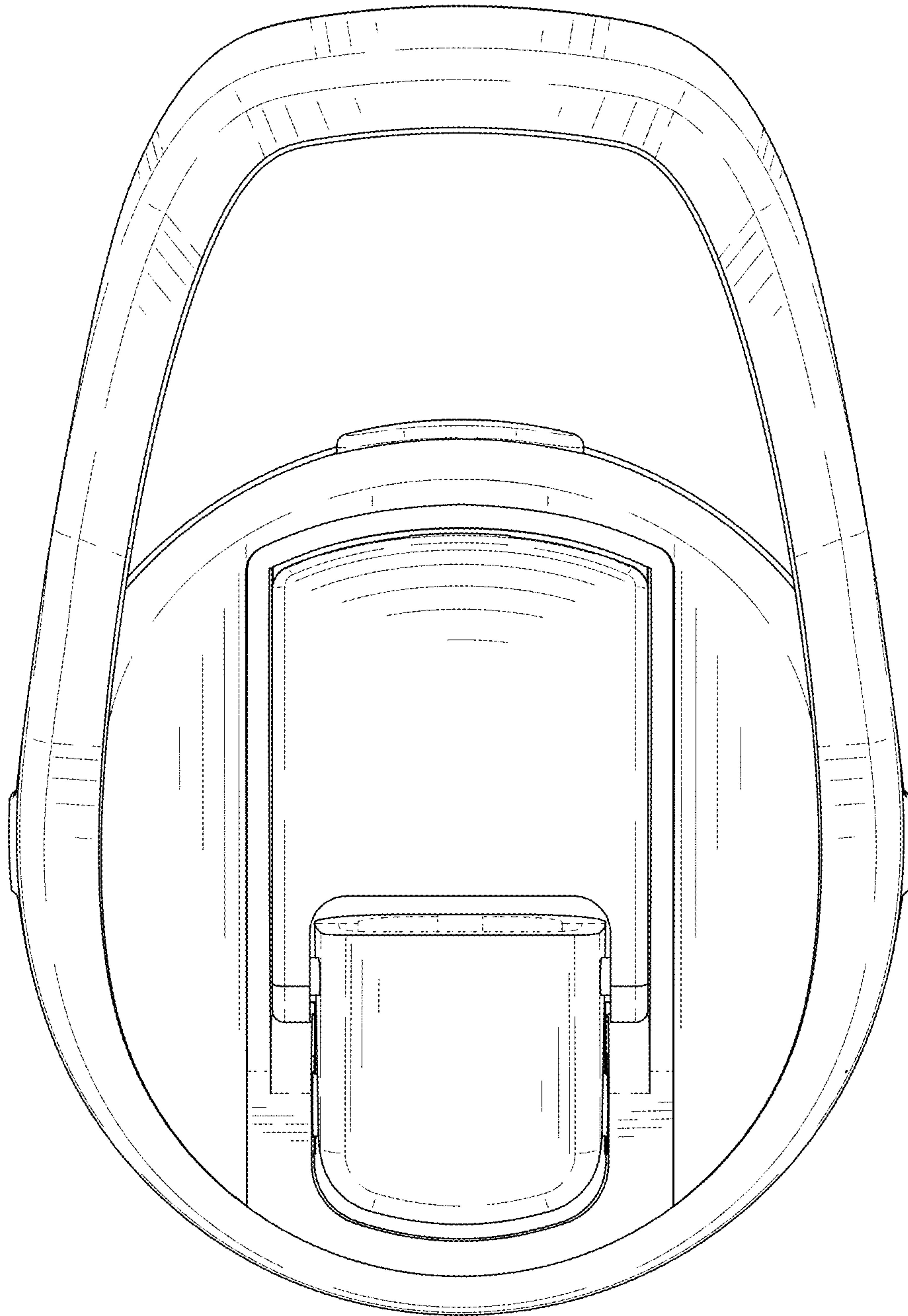


FIG. 7



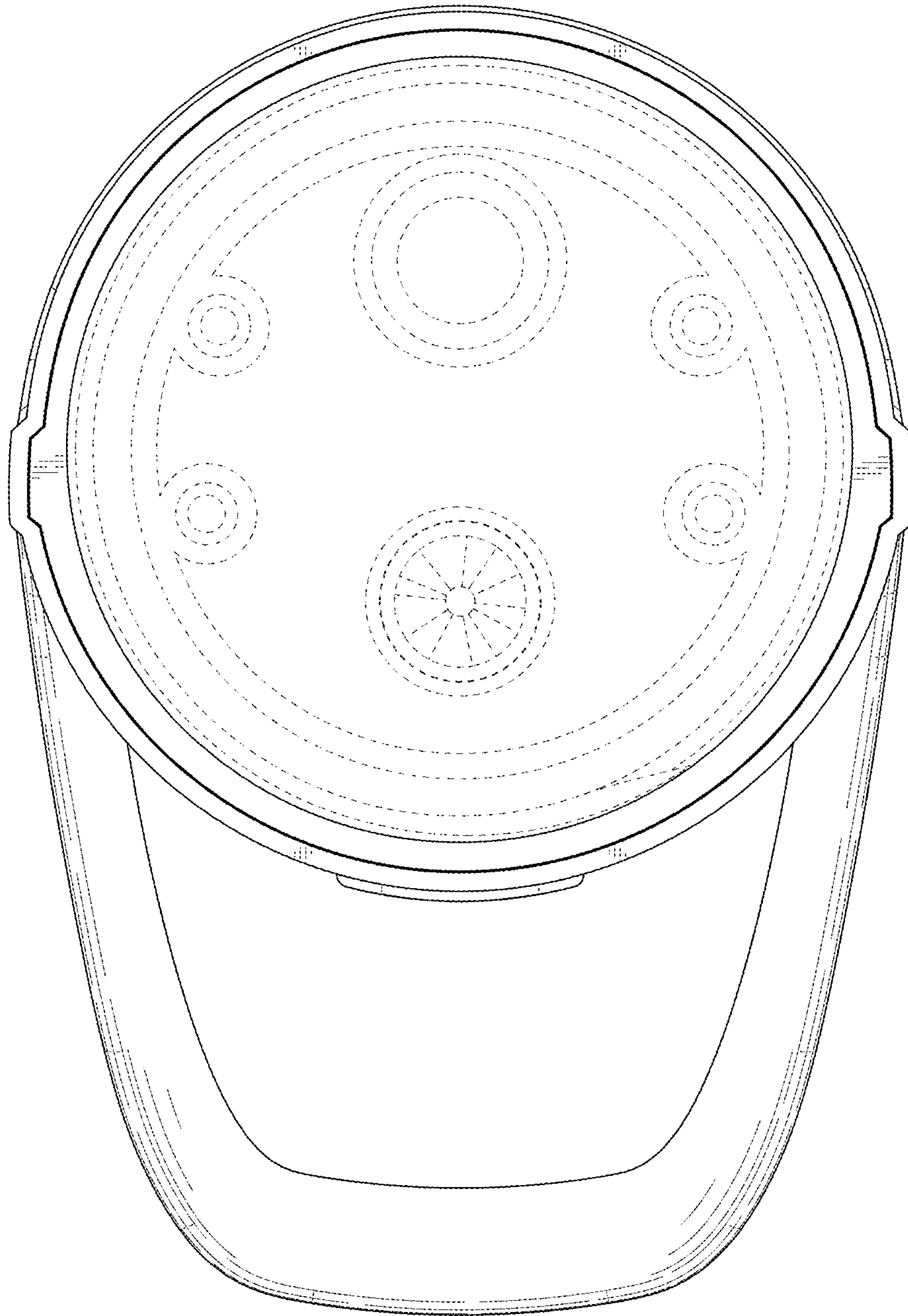


FIG. 8

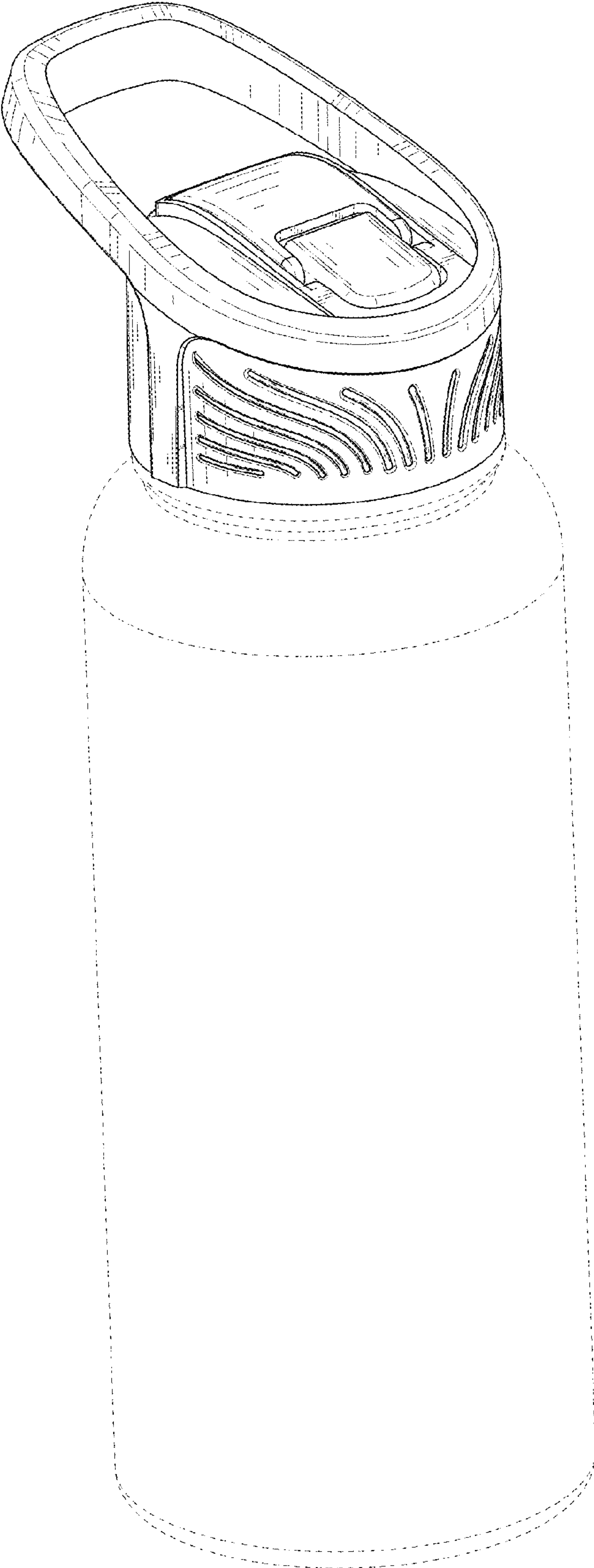


FIG. 9