



US00D970288S

(12) **United States Design Patent**
Huang

(10) **Patent No.:** **US D970,288 S**

(45) **Date of Patent:** **** Nov. 22, 2022**

(54) **BOTTLE LID**

(71) Applicant: **Mufa Huang**, Xiamen (CN)

(72) Inventor: **Mufa Huang**, Xiamen (CN)

(**) Term: **15 Years**

(21) Appl. No.: **29/808,618**

(22) Filed: **Sep. 22, 2021**

(51) **LOC (13) Cl.** **07-02**

(52) **U.S. Cl.**
USPC **D7/392.1; D9/443; D7/396.2**

(58) **Field of Classification Search**
USPC D7/392, 392.1, 619.1, 507, 509–511;
D9/443, 439, 440, 435, 531
CPC . A47G 19/2272; B65D 83/205; B65D 83/206
See application file for complete search history.

(56) **References Cited**

U.S. PATENT DOCUMENTS

D748,943 S *	2/2016	Miller	D7/392.1
D817,088 S *	5/2018	Shirley	D9/449
D871,132 S *	12/2019	Yao	D9/449
D911,772 S *	3/2021	Xie	D7/392.1
D917,953 S	5/2021	Yao		
D922,136 S	6/2021	Lin et al.		
D945,211 S *	3/2022	Yao	D7/392.1
D945,212 S *	3/2022	Yao	D9/516

OTHER PUBLICATIONS

Amazon website, Contigo Autoseal Chill Stainless Steel Water Bottle, Date first available on Amazon Dec. 24, 2016, [site visited

Sep. 10, 2022, Available on the Internet URL www.amazon.com/Contigo-AUTOSEAL-Chill-Stainless-Bottle/dp/B01N6K88FQ (Year: 2016).*

* cited by examiner

Primary Examiner — S. Bryan Reinholdt, Jr.

(57) **CLAIM**

The ornamental design for a bottle lid, as shown and described.

DESCRIPTION

FIG. 1 is a perspective view of a bottle lid showing my new design;

FIG. 2 is another perspective view thereof;

FIG. 3 is a front elevational view thereof;

FIG. 4 is a rear elevational view thereof;

FIG. 5 is a left side elevational view thereof;

FIG. 6 is a right side elevational view thereof;

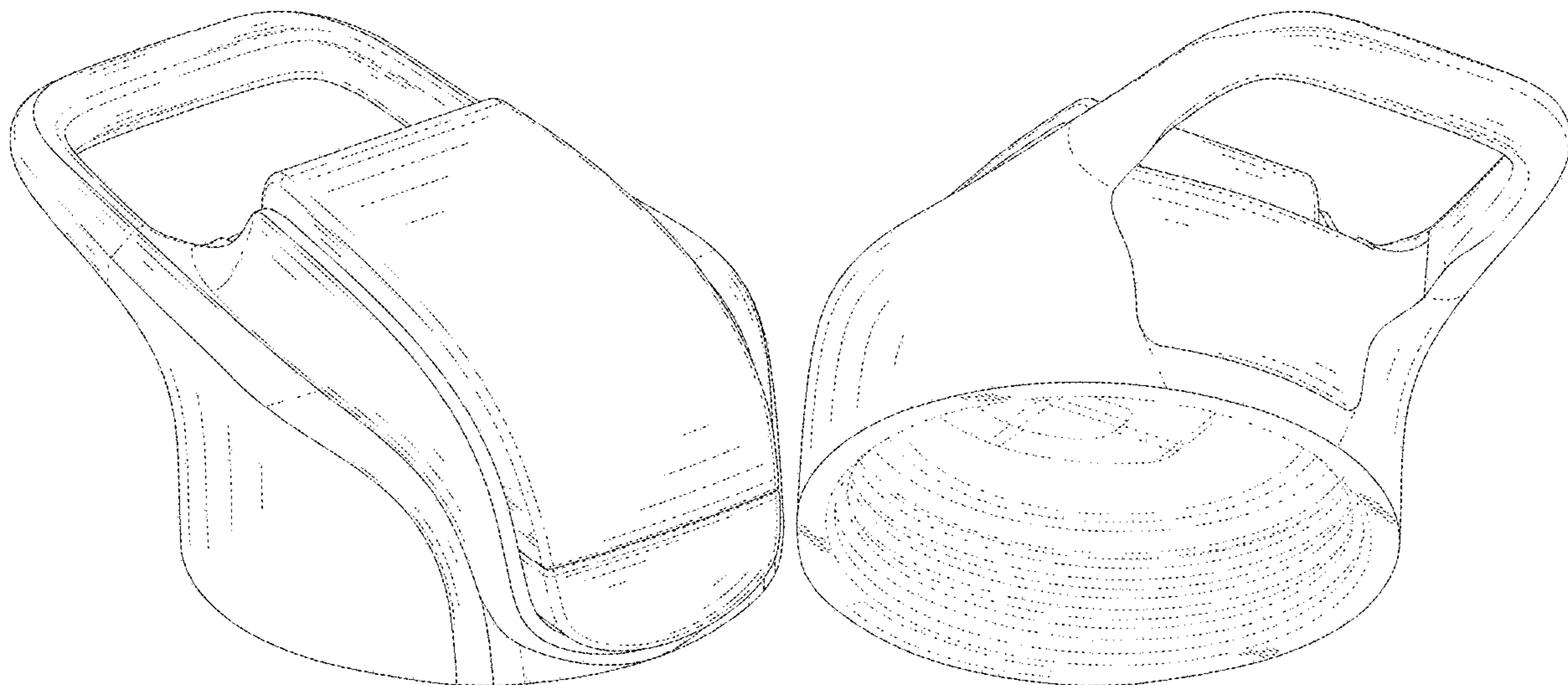
FIG. 7 is a top plan view thereof;

FIG. 8 is a bottom plan view thereof; and,

FIG. 9 is a perspective view of the bottle lid in a configuration of use with environment.

The broken lines in FIGS. 2 and 8 depict portions of the bottle lid that form no part of the claimed design. The broken lines in FIG. 9 depict environment of a bottle that form no part of the claimed design.

1 Claim, 9 Drawing Sheets



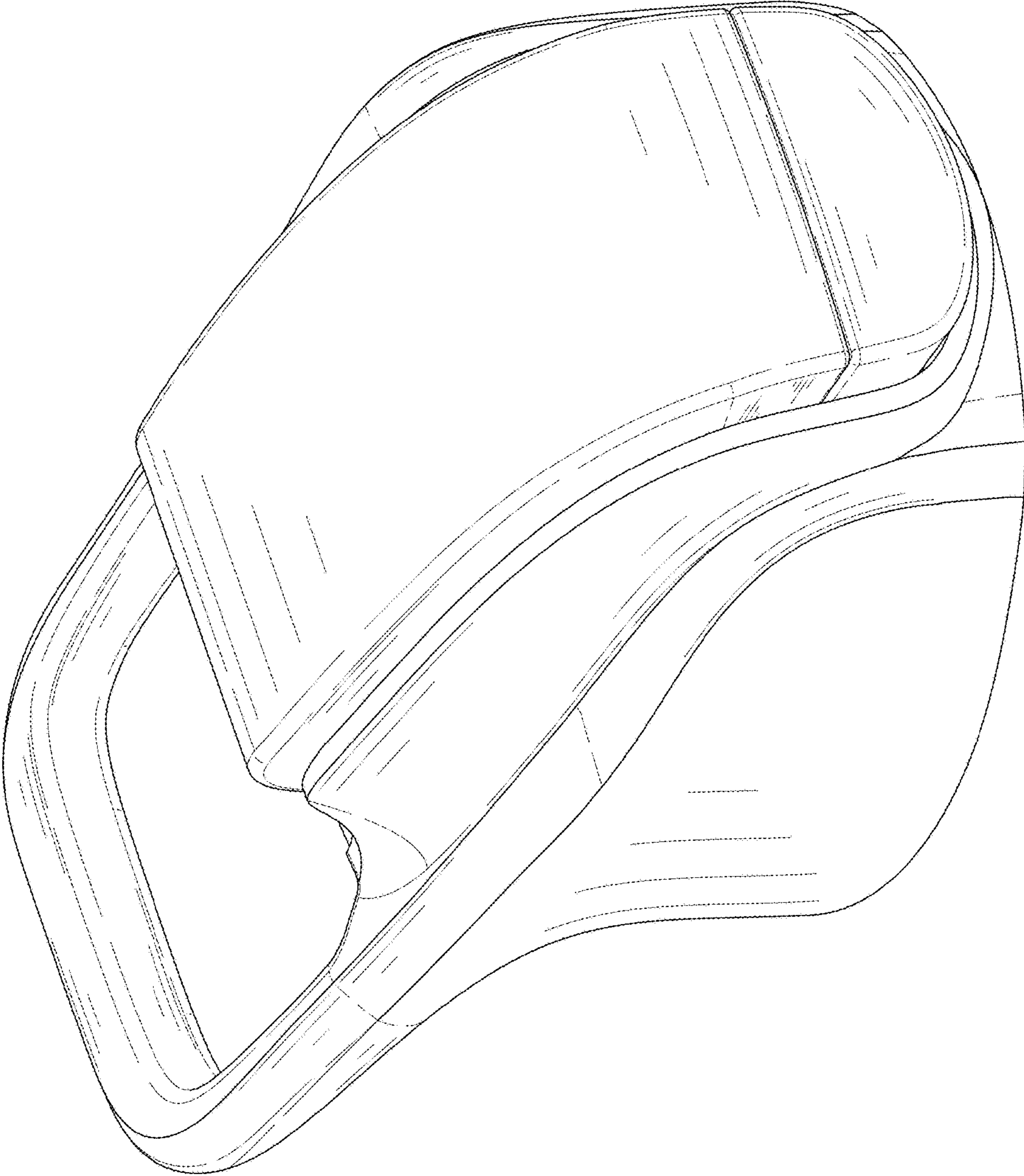


FIG. 1

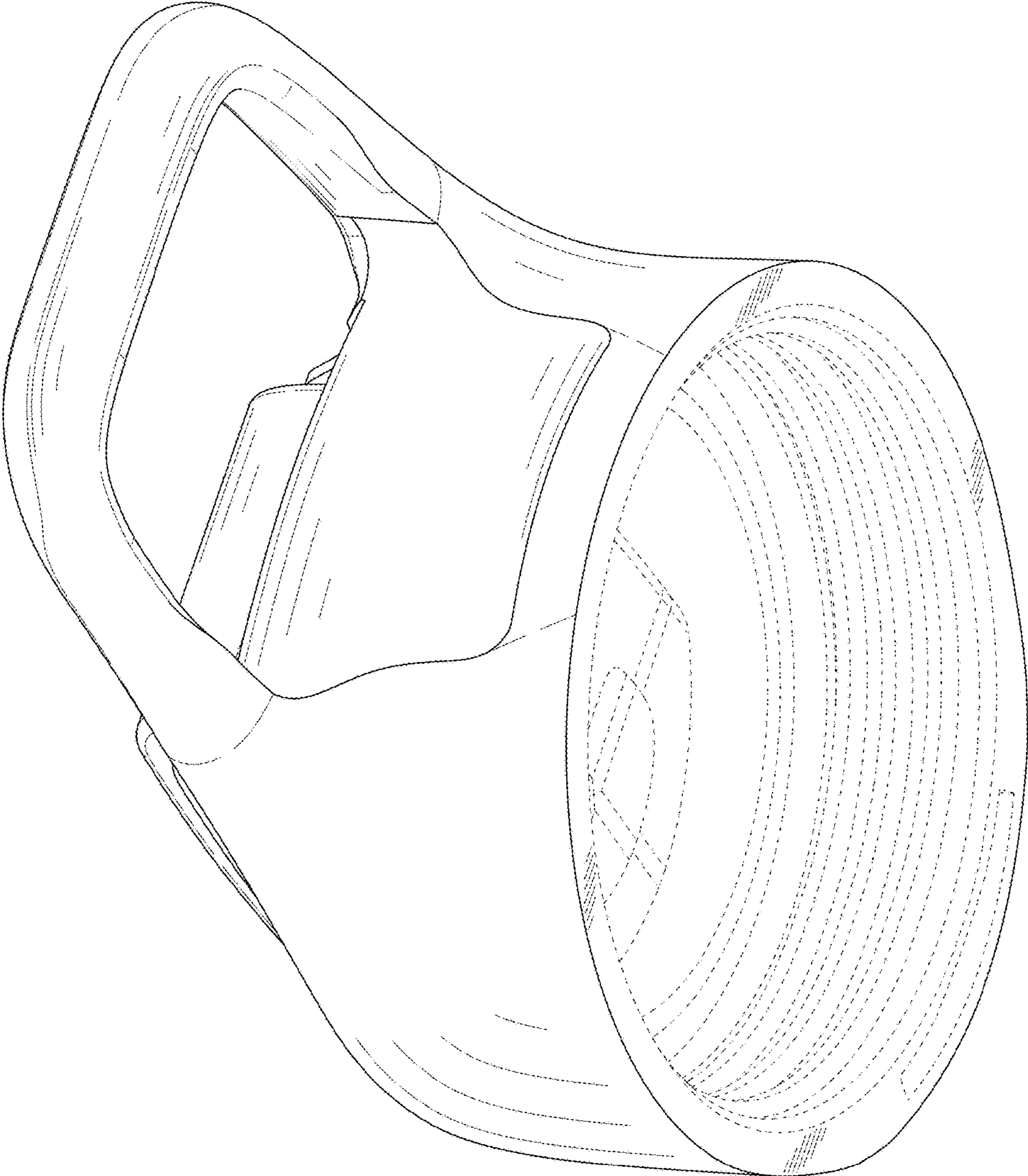


FIG. 2

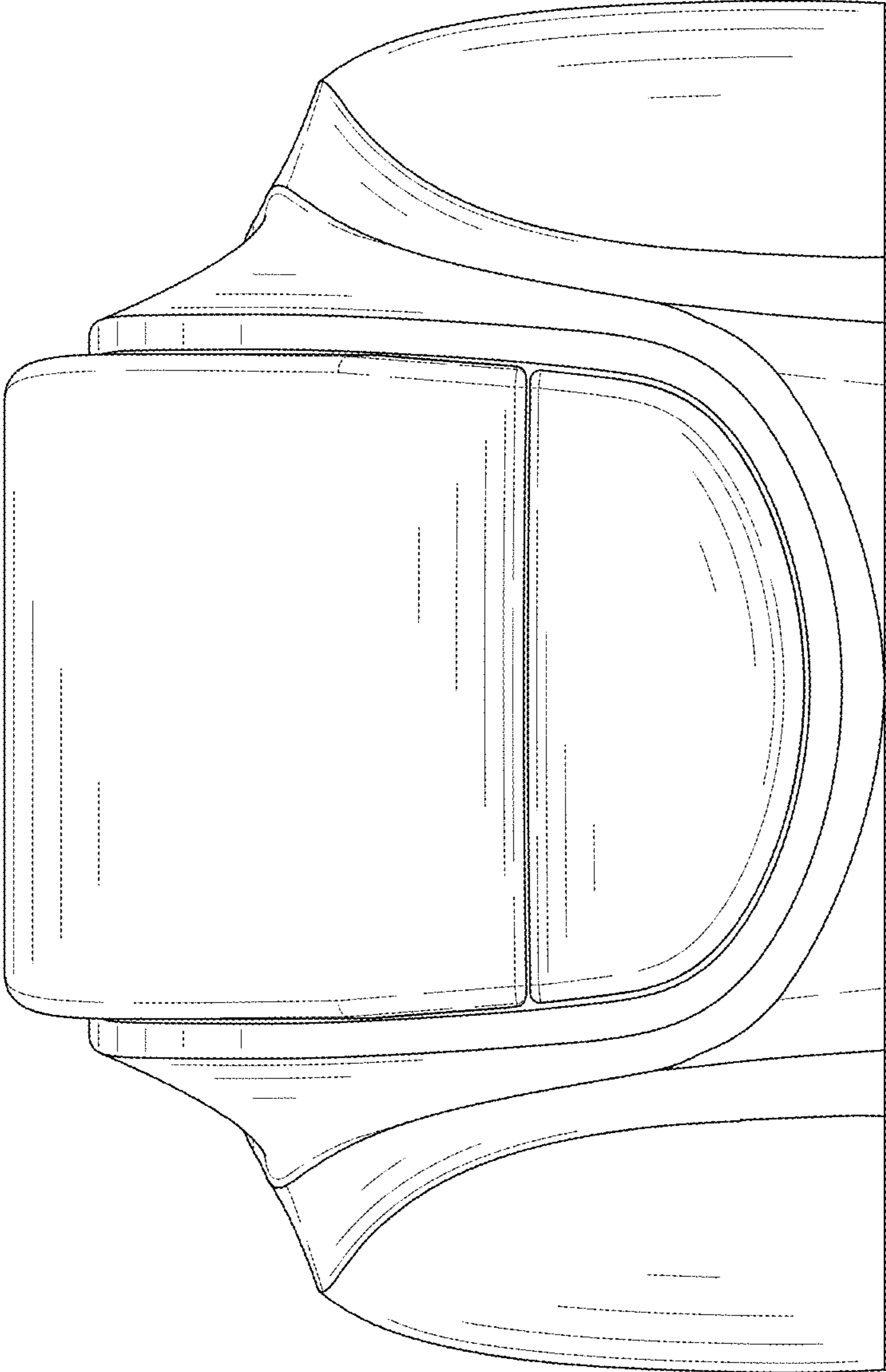


FIG. 3

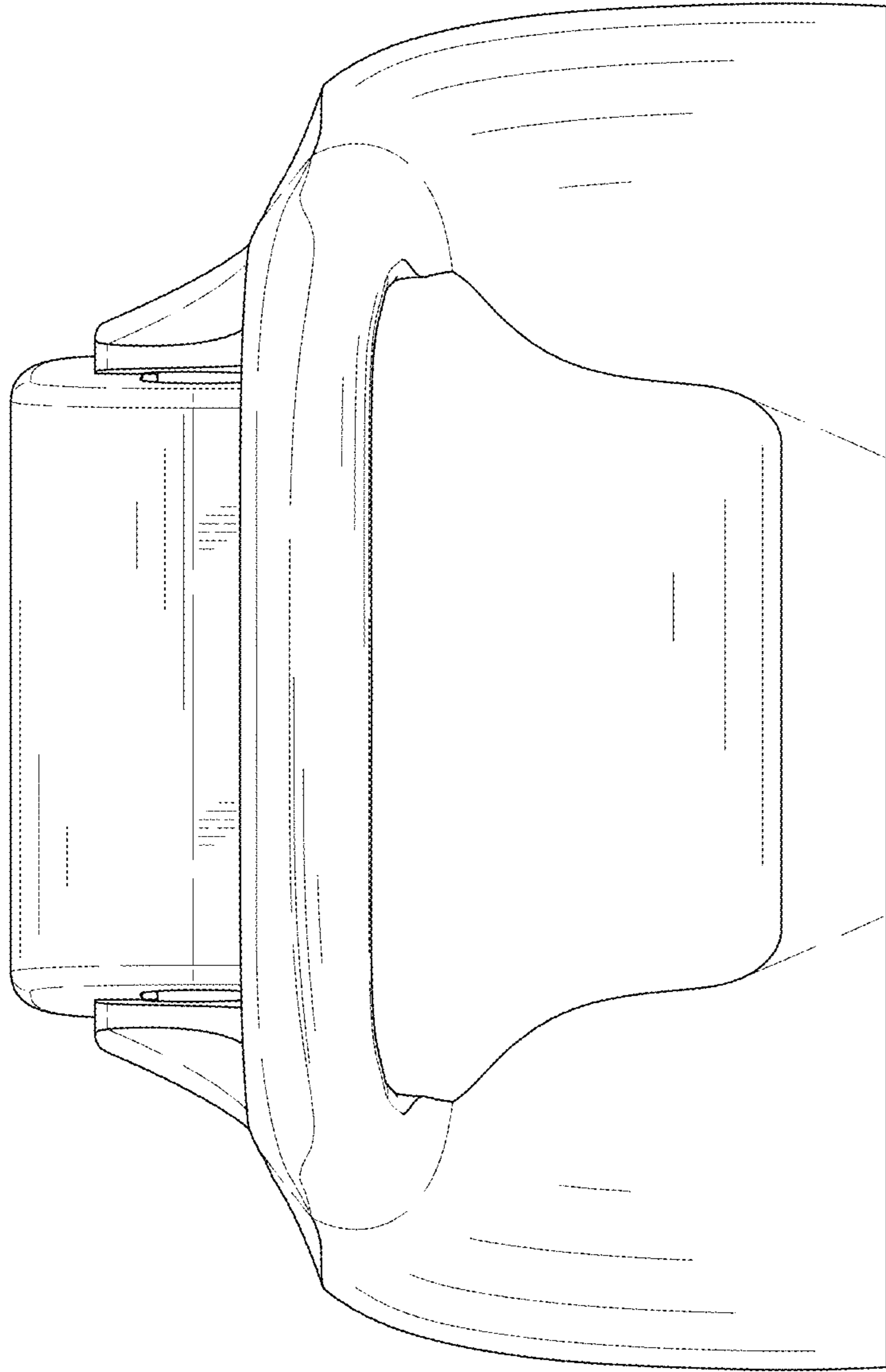


FIG. 4

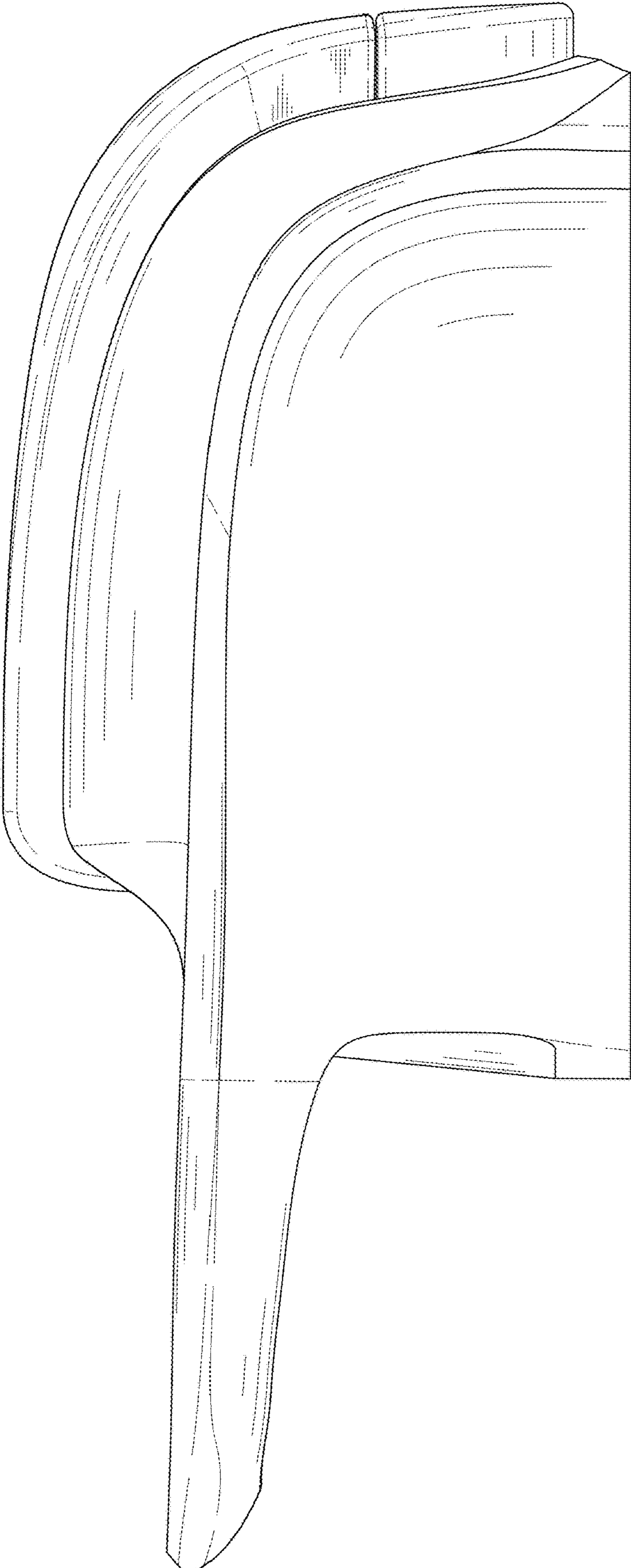


FIG. 5

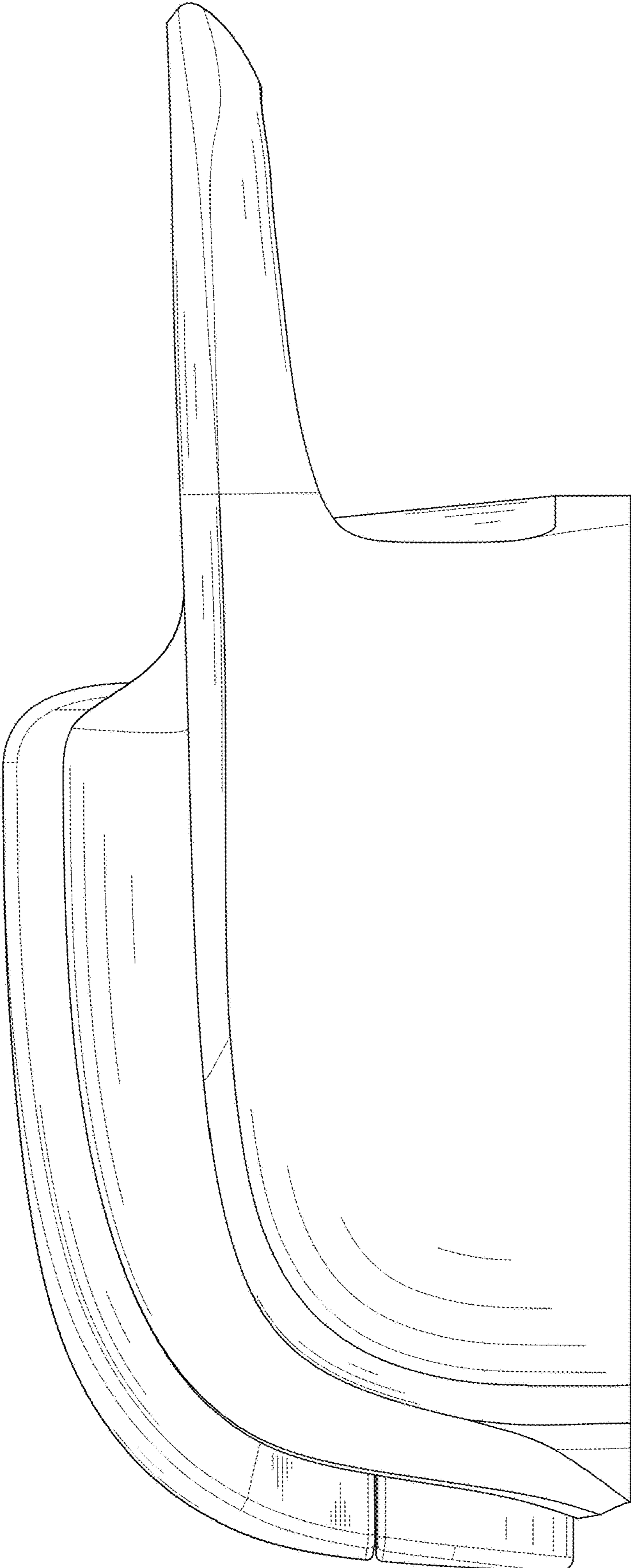


FIG. 6

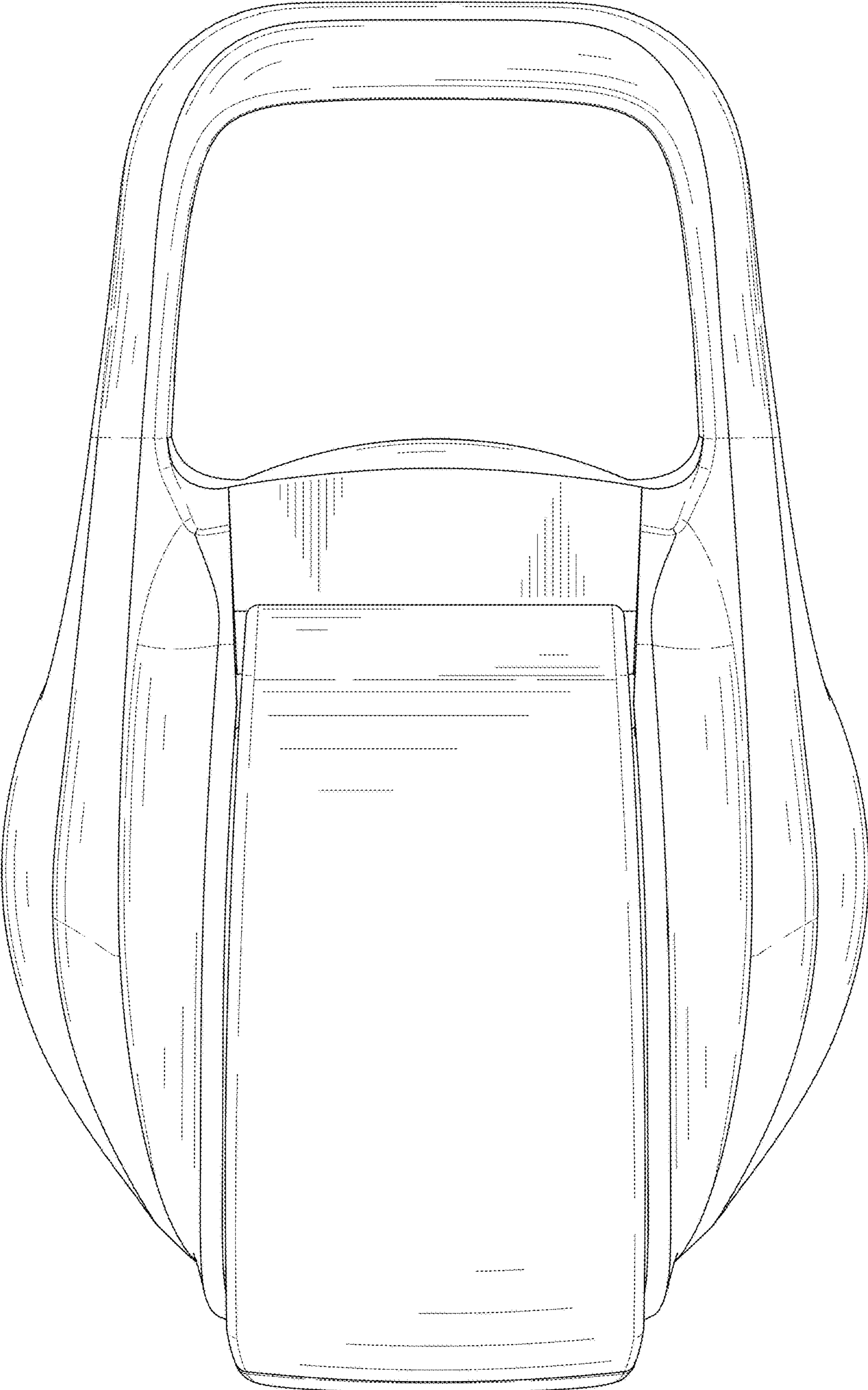


FIG. 7

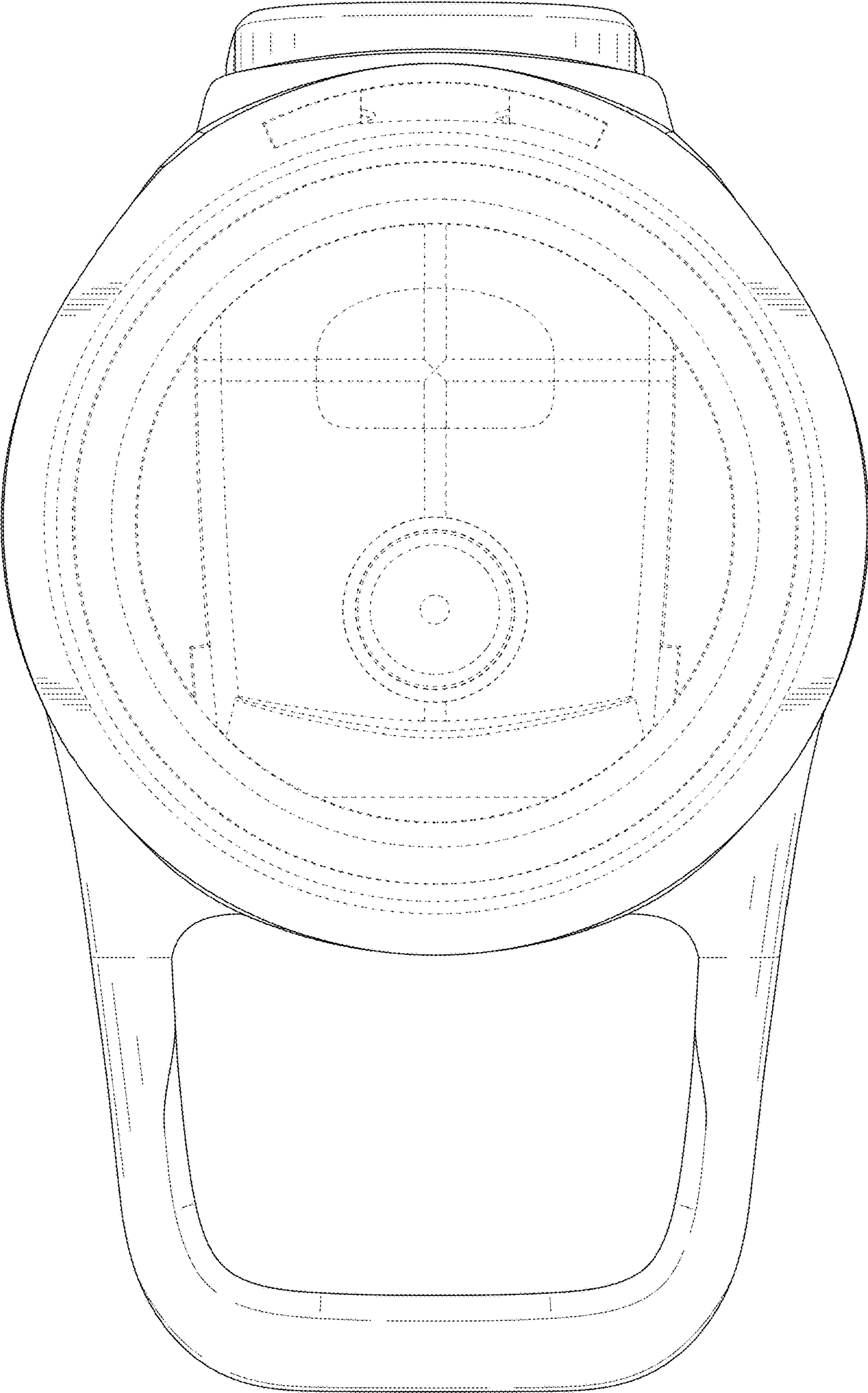


FIG. 8

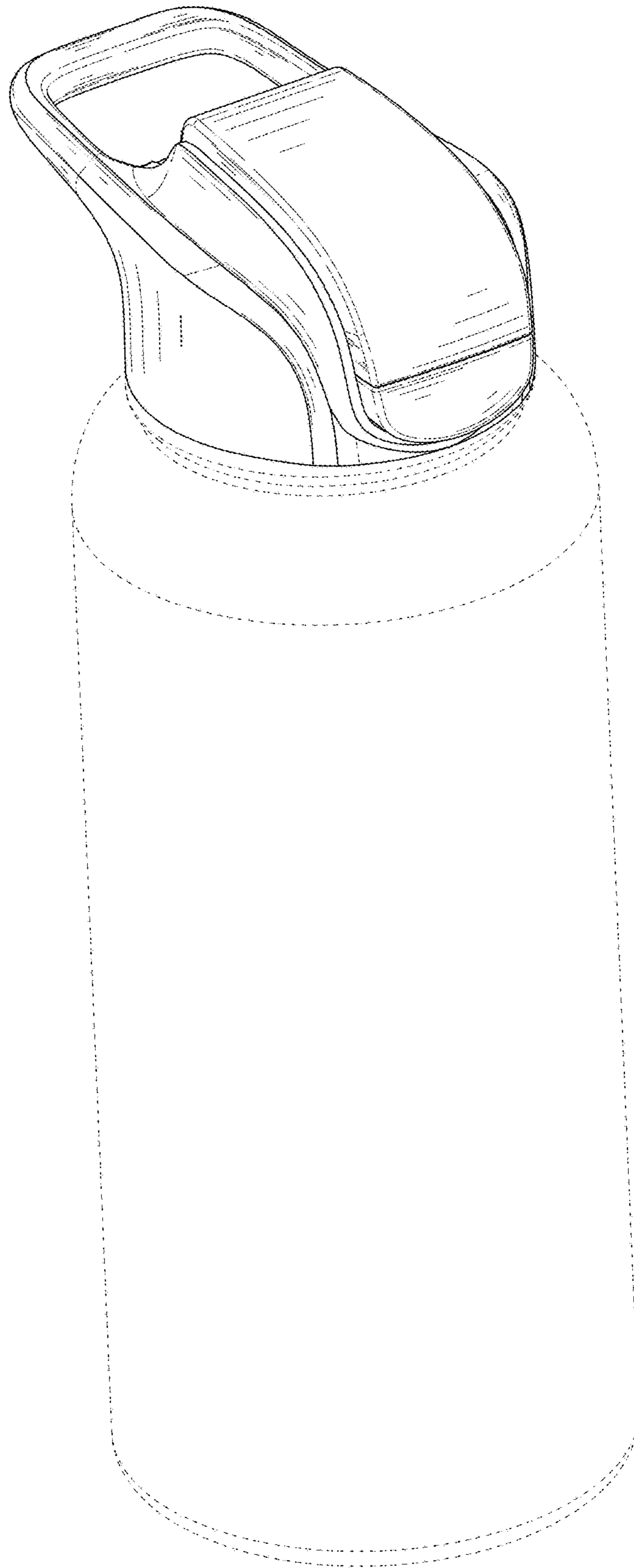


FIG. 9