



US00D970287S

(12) **United States Design Patent**  
**Dean et al.**

(10) **Patent No.:** **US D970,287 S**  
(45) **Date of Patent:** **\*\* Nov. 22, 2022**

(54) **LID**

(71) Applicant: **The Coleman Company, Inc.**, Wichita, KS (US)

(72) Inventors: **Matthew Brian Dean**, Parchment, MI (US); **Sean Thomas Eurich**, Portage, MI (US)

(73) Assignee: **The Coleman Company, Inc.**, Wichita, KS (US)

(\*\*) Term: **15 Years**

(21) Appl. No.: **29/708,484**

(22) Filed: **Oct. 7, 2019**

(51) **LOC (13) Cl.** ..... **07-99**

(52) **U.S. Cl.**  
USPC ..... **D7/392.1; D9/443**

(58) **Field of Classification Search**  
USPC .... D7/392, 392.1, 396.2; D9/434, 445, 447, D9/454  
CPC ..... B65D 83/205; A47G 19/2272  
See application file for complete search history.

(56) **References Cited**

**U.S. PATENT DOCUMENTS**

D801,111 S \* 10/2017 Eyal ..... D9/449  
D896,573 S \* 9/2020 Wu ..... D7/392.1

D917,957 S \* 5/2021 Yao ..... D9/516  
D922,135 S \* 6/2021 Chen ..... D7/392.1  
D934,623 S \* 11/2021 Wang ..... D7/392.1  
D942,208 S \* 2/2022 Lown ..... D9/450  
D945,214 S \* 3/2022 Zhou ..... D7/392.1  
D948,928 S \* 4/2022 Chen ..... D7/392.1

**FOREIGN PATENT DOCUMENTS**

CA 194341 \* 2/2022  
CN 306159768 \* 11/2020

\* cited by examiner

*Primary Examiner* — S. Bryan Reinholdt, Jr.

(74) *Attorney, Agent, or Firm* — Husch Blackwell LLP

(57) **CLAIM**

We claim the ornamental design for a lid, as shown and described.

**DESCRIPTION**

FIG. 1 is a perspective view of a lid according to our new design, shown in a closed configuration;  
FIG. 2 is a top plan view thereof;  
FIG. 3 is a front elevation view thereof;  
FIG. 4 is a right side elevation view thereof;  
FIG. 5 is a rear elevation view thereof;  
FIG. 6 is a left side elevation view thereof; and,  
FIG. 7 is a perspective view of a lid, shown in an open configuration.

**1 Claim, 5 Drawing Sheets**

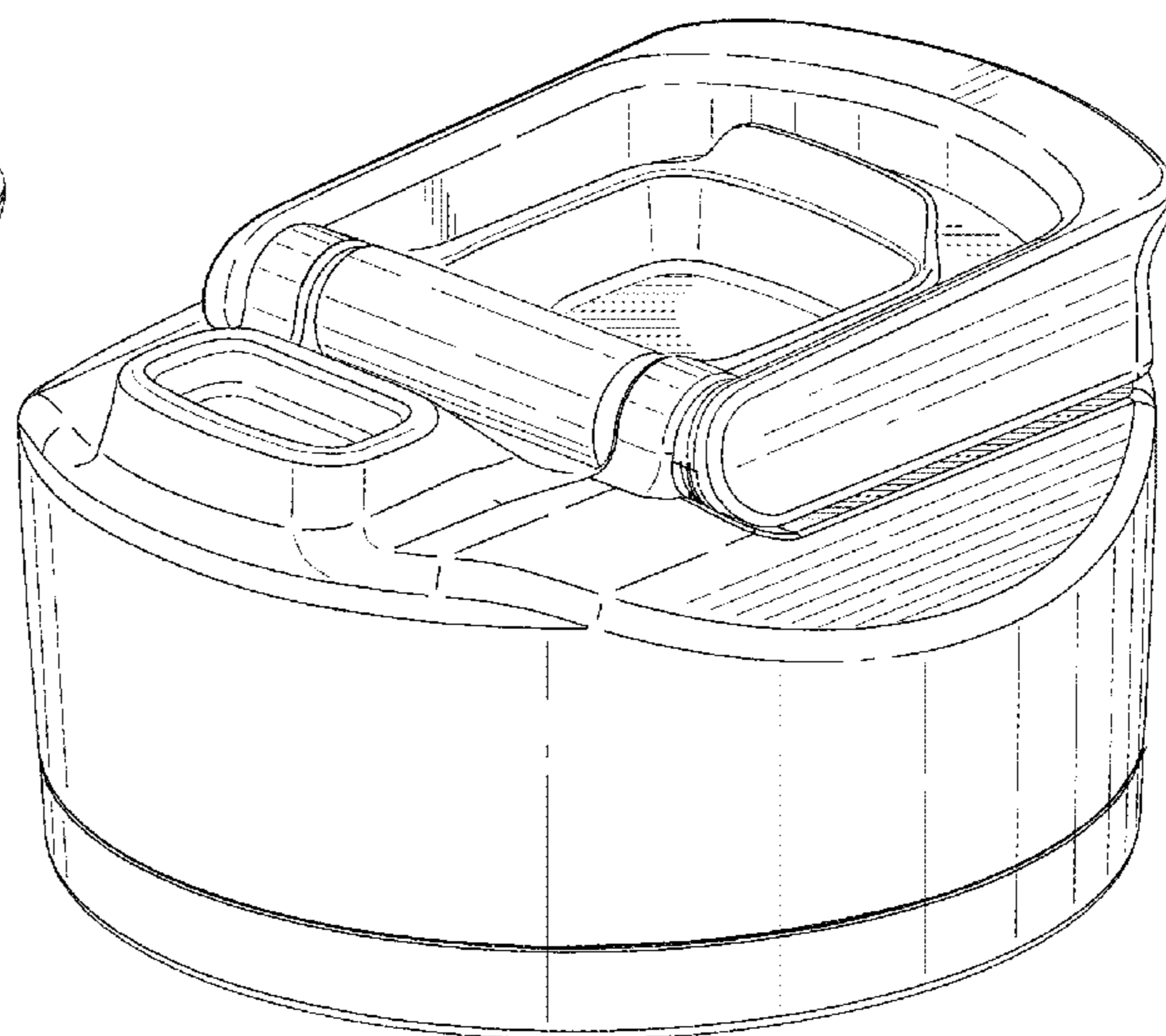
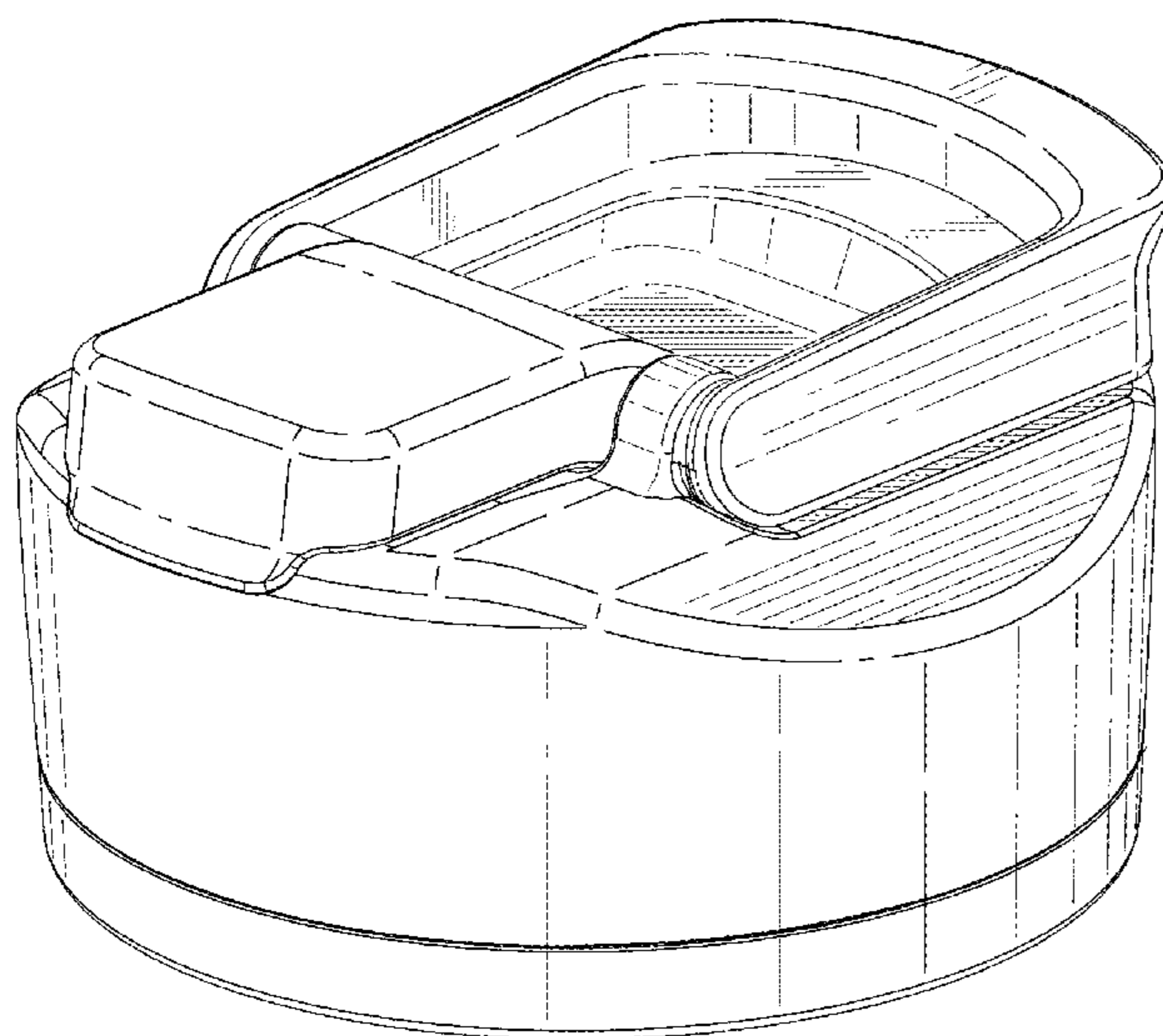
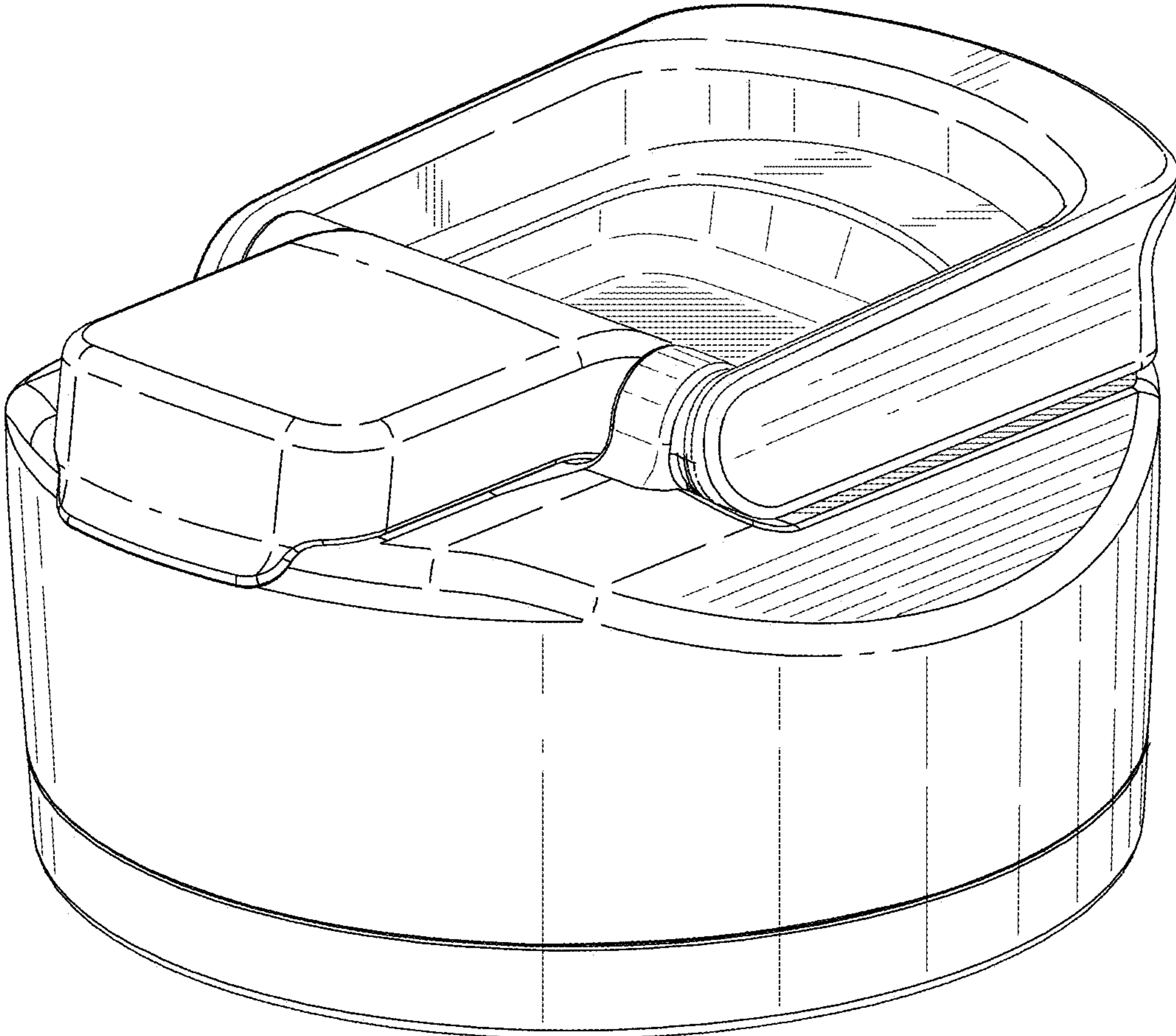
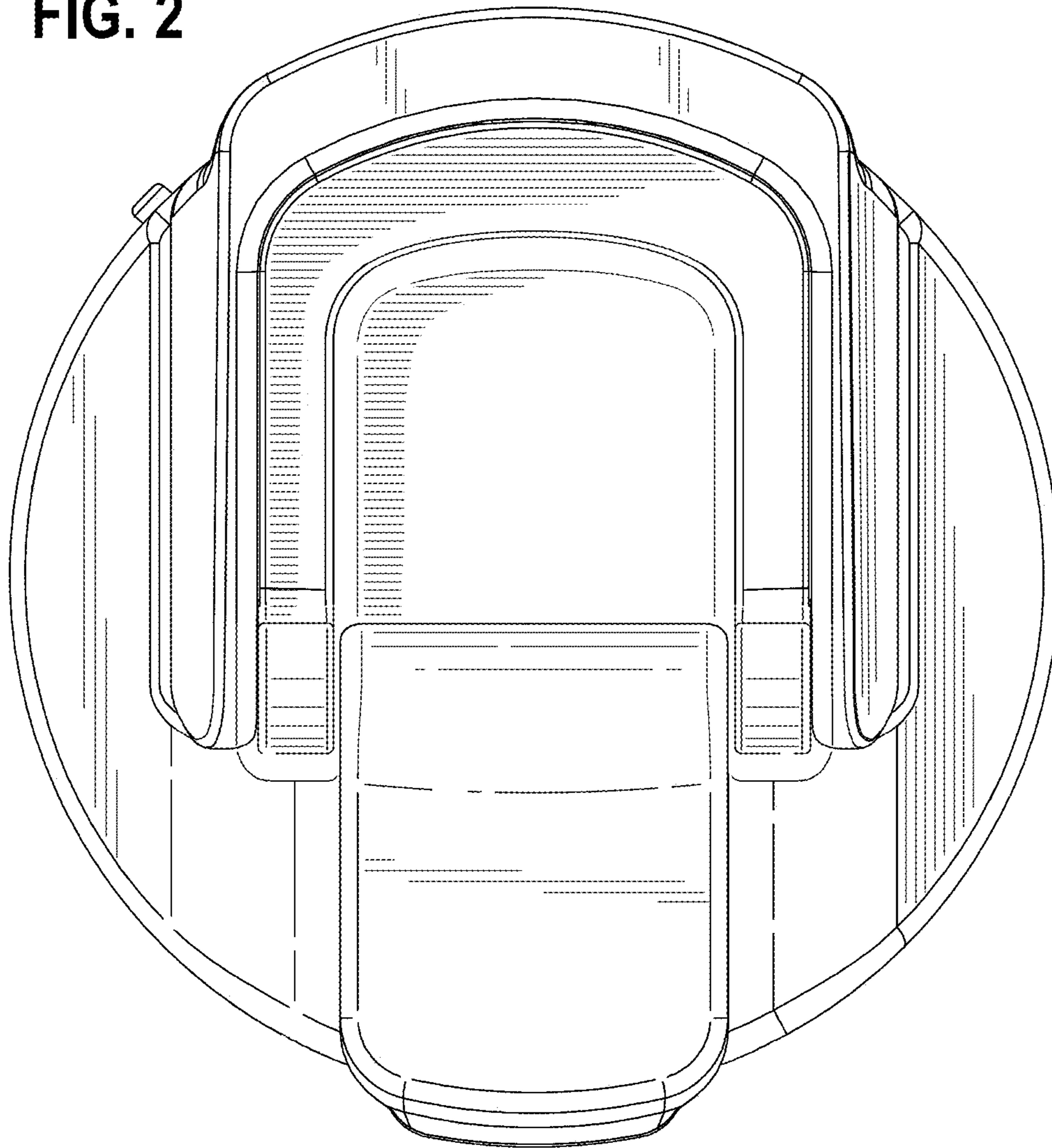


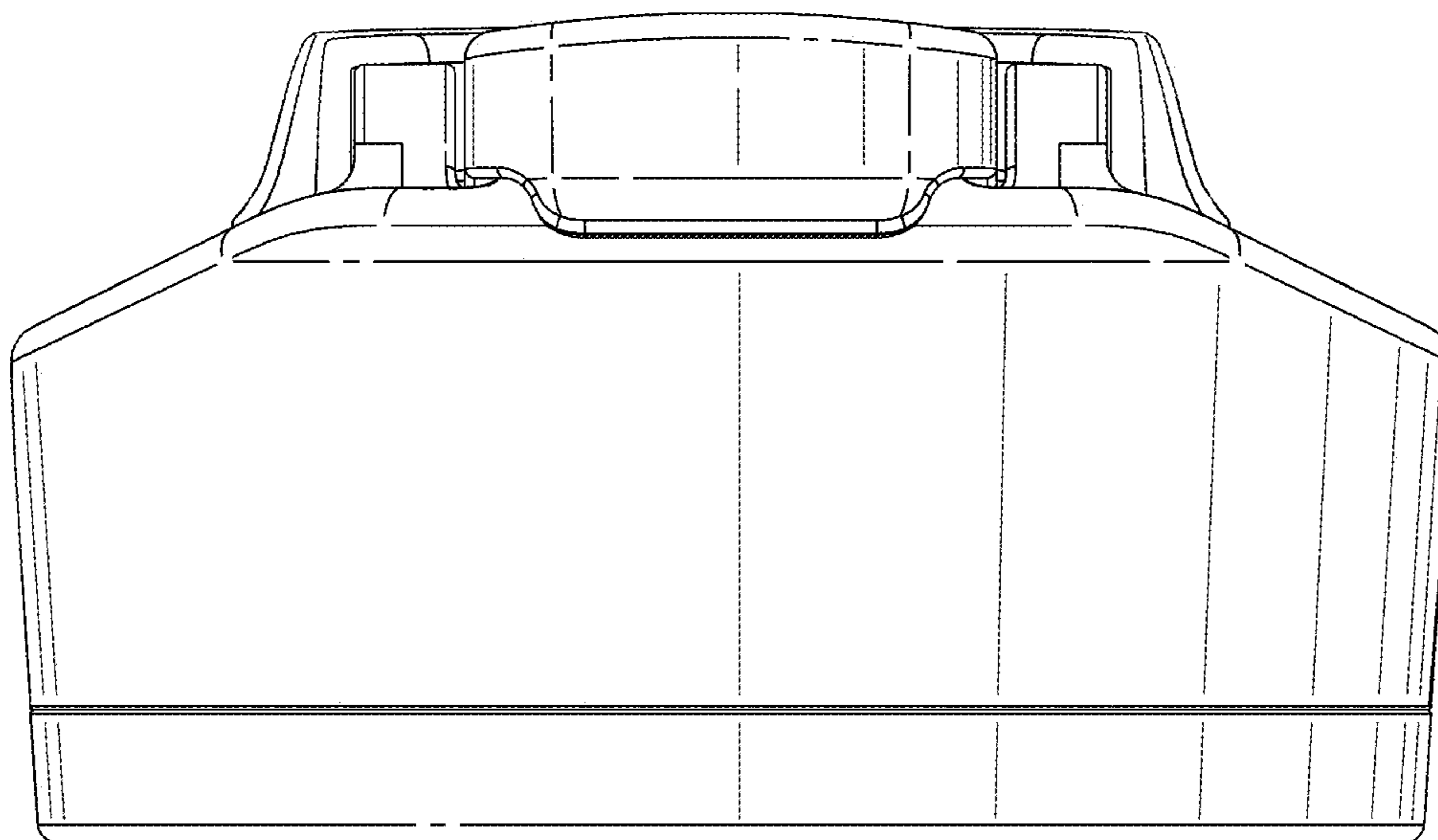
FIG. 1



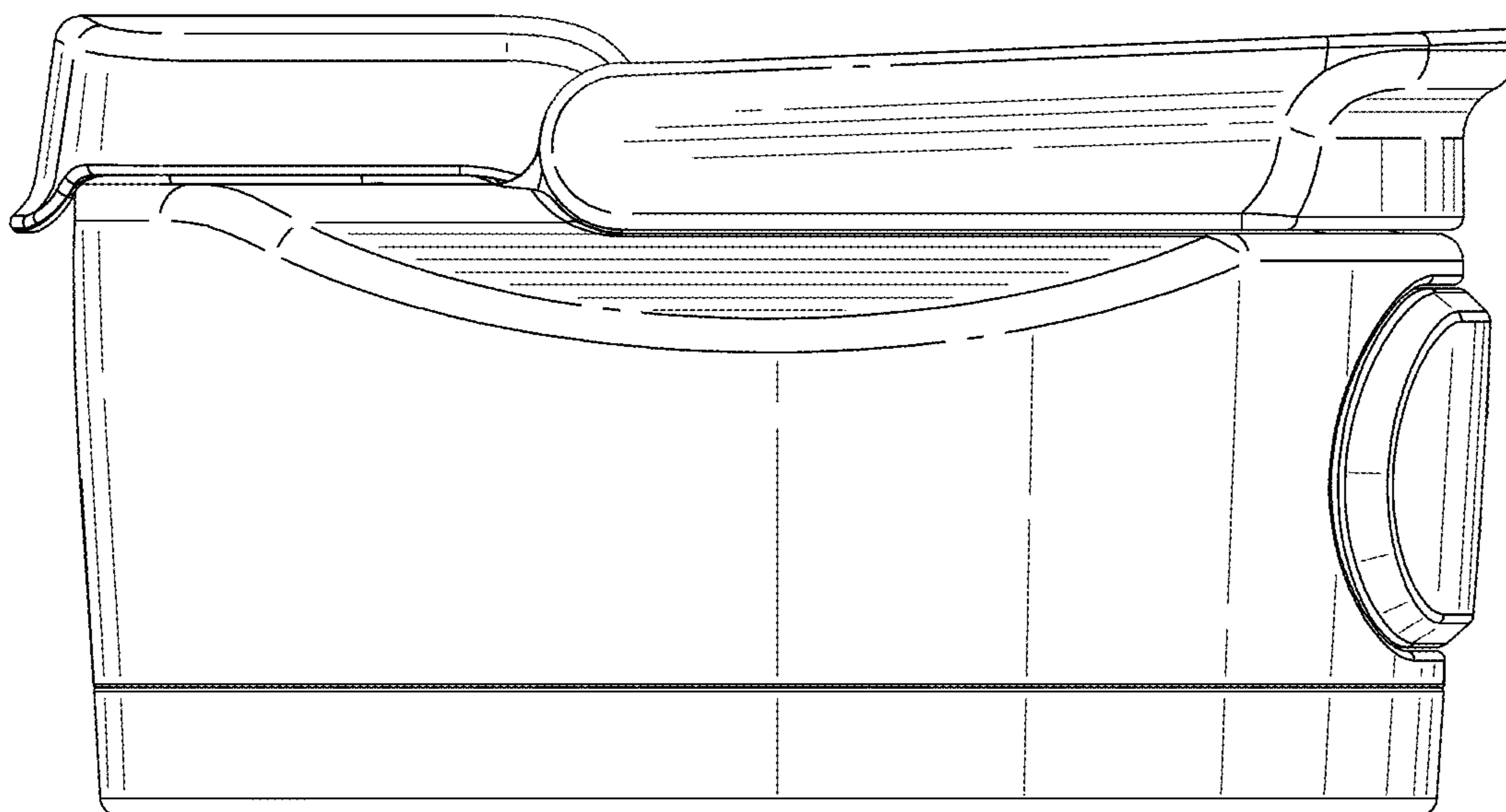
**FIG. 2**



**FIG. 3**



**FIG. 4**



**FIG. 5**

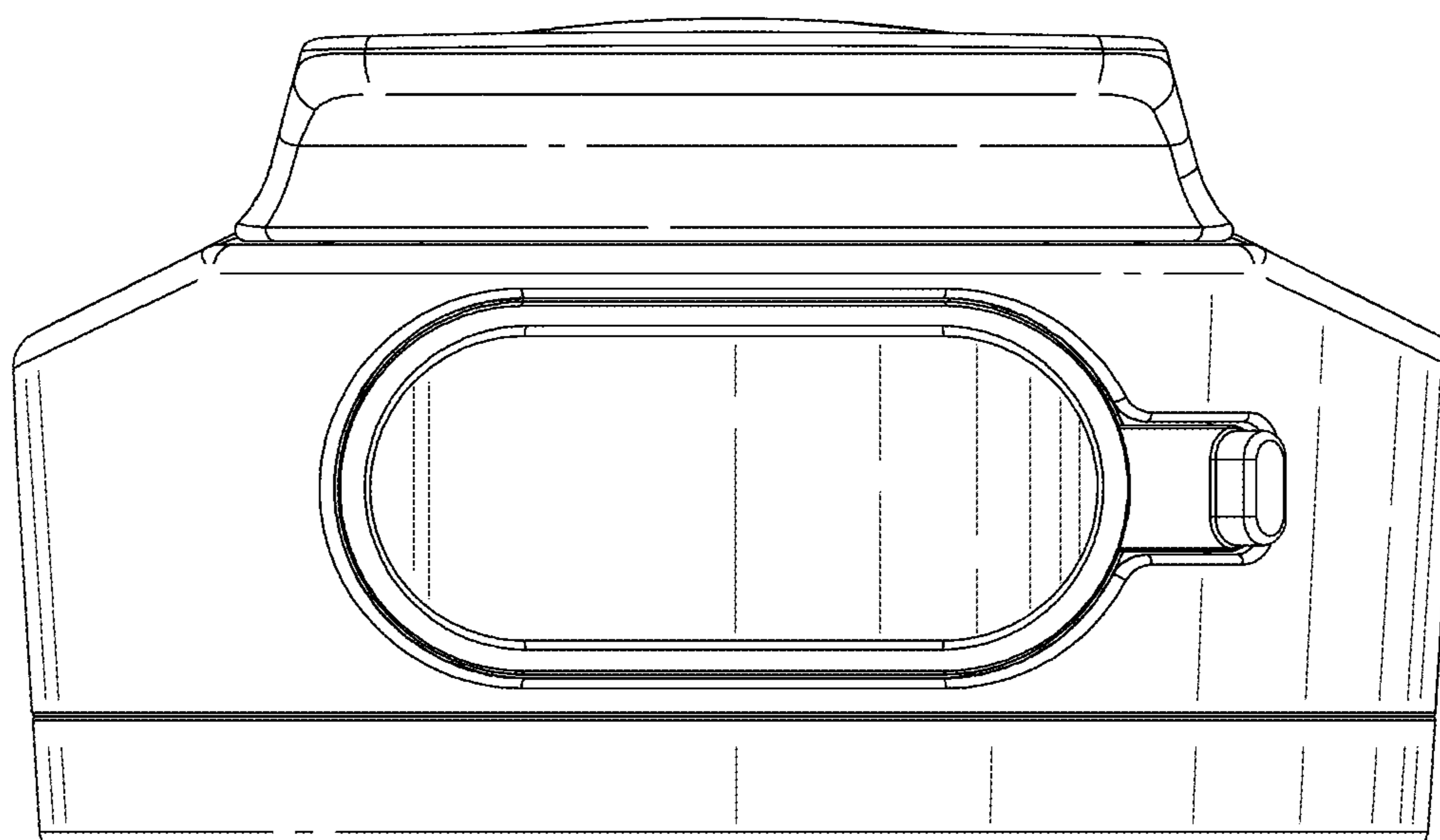


FIG. 6

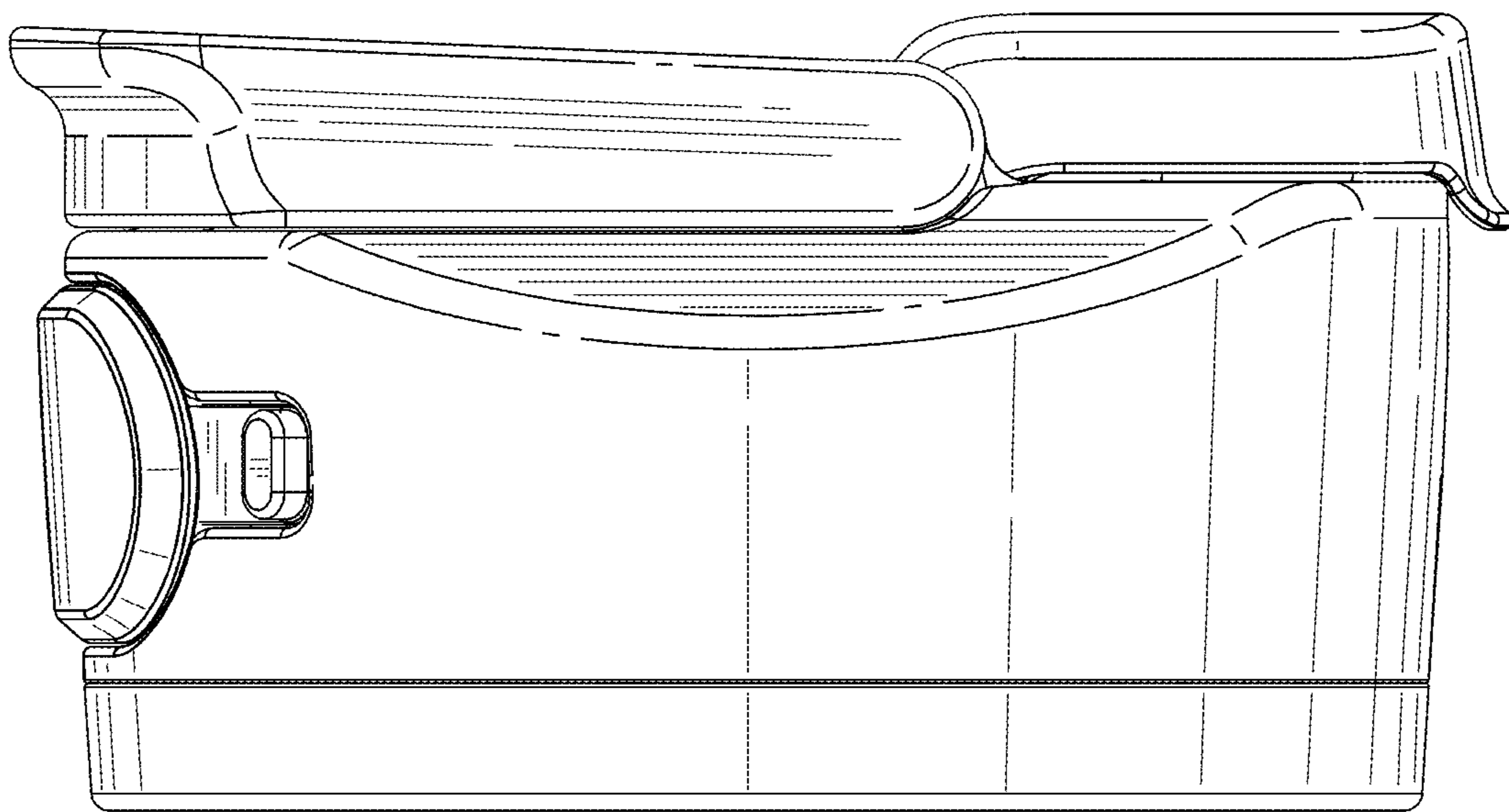


FIG. 7

