



US00D970286S

(12) **United States Design Patent** (10) **Patent No.:** **US D970,286 S**
Cooper et al. (45) **Date of Patent:** **** Nov. 22, 2022**

(54) **INTERFACE DIAL FOR SMALL APPLIANCES**
(71) Applicant: **CANADIAN TIRE CORPORATION LIMITED**, Toronto (CA)
(72) Inventors: **Bruce Cooper**, Toronto (CA); **David Quan**, Toronto (CA); **Jurgis Mikens**, Toronto (CA); **Anthony Chimbuya**, Toronto (CA); **Andreas Bell**, Chicago, IL (US); **Patricia Howes**, Chicago, IL (US); **Mike Herbert**, Naperville, IL (US); **Helen Kerr**, Toronto (CA); **Nigel Smith**, Toronto (CA); **Chrysant Jonatan**, Georgetown (CA); **Zan Chandler**, Toronto (CA); **Kelly Kornet**, Toronto (CA); **Anna Chau**, Long Island City, NY (US); **Chay Lee**, Toronto (CA); **Hoki Chan**, Toronto (CA)

(73) Assignee: **CANADIAN TIRE CORPORATION LIMITED**, Toronto (CA)

(**) Term: **15 Years**

(21) Appl. No.: **29/752,820**

(22) Filed: **Sep. 29, 2020**

(30) **Foreign Application Priority Data**

Apr. 1, 2020 (CA) CA 194306

(51) **LOC (13) Cl.** **08-06**

(52) **U.S. Cl.**
USPC **D7/387; D7/402; D8/310**

(58) **Field of Classification Search**
USPC D7/323, 328-330, 332-351, 354, 358, D7/360, 361, 372, 373, 378, 386, 387, D7/393, 400, 402, 405-409, 509, 511, D7/533, 534, 536, 601, 602, 629, 679, D7/700; D8/310-312; D10/122, 126; D21/523-525; D24/111; D32/28

(Continued)

(56) **References Cited**

U.S. PATENT DOCUMENTS

D155,349 S * 9/1949 Lear D8/309
D180,266 S * 5/1957 Boldt D7/406

(Continued)

OTHER PUBLICATIONS

Paderno Vortex Blade Power Digital Blender, Canadian Tire, [online], [site visited Mar. 10, 2022], Available from internet URL: <https://www.canadiantire.ca/en/pdp/paderno-vortex-blade-power-digital-blender-bpa-free-black-stainless-steel-1500w-0435260p.html#srp> (Year: 2022).*

(Continued)

Primary Examiner — Mary Ann Calabrese
Assistant Examiner — Natalya M Rapundalo
(74) *Attorney, Agent, or Firm* — Norton Rose Fulbright Canada

(57) **CLAIM**

We claim the ornamental design for an interface dial for small appliances, as shown and described.

DESCRIPTION

FIG. 1 is a front view of the interface dial for small appliances of a first embodiment, showing our new design. FIG. 2 is a front perspective view of the interface dial for small appliances of FIG. 1.

FIG. 3 is a side view of the interface dial for small appliances of FIG. 1, the opposite side being a mirror image thereof.

FIG. 4 is a front perspective view of the interface dial for small appliances of FIG. 1, in an environment of use.

FIG. 5 is a front perspective view of the interface dial for small appliances of FIG. 1, in an alternate environment of use.

FIG. 6 is a front perspective view of the interface dial for small appliances of a second embodiment, showing our new design; and,

(Continued)

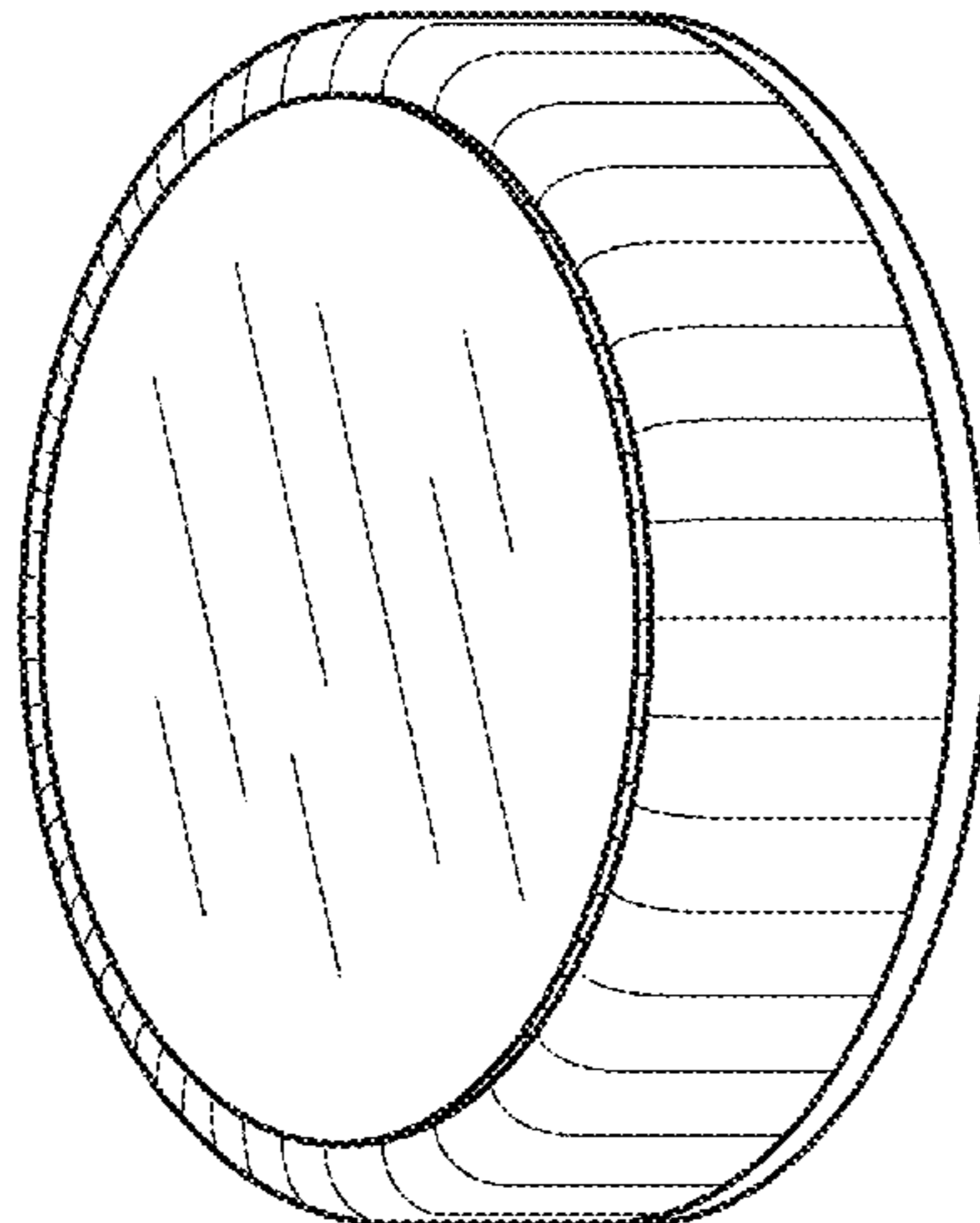


FIG. 7 is a front perspective view of the interface dial for small appliances of FIG. 6, in an environment of use. The broken lines included in the drawings represent environment and portions of the article and form no part of the claimed design.

1 Claim, 7 Drawing Sheets

(58) **Field of Classification Search**

CPC A47J 27/00; A47J 27/004; A47J 27/08;
 A47J 27/086; A47J 27/09; A47J 27/21;
 A47J 33/00; A47J 36/26; A47J 37/06;
 A47J 37/0623; A47J 37/0647; A47J
 37/0652; A47J 37/0658; A47J 37/07;
 A47J 37/0704; A47J 37/0713; A47J
 37/0763; A47J 37/101; A47J 37/108;
 A47J 43/00; A47J 47/00; F24C 1/16;
 F24C 3/00; F24C 3/002; F24C 3/008;
 F24C 3/022; F24C 3/027; F24C 3/08;
 F24C 3/082; F24C 3/085; F24C 3/14;
 F24C 15/10; F24C 15/12; F24C 15/36

See application file for complete search history.

(56)

References Cited

U.S. PATENT DOCUMENTS

D202,590	S	*	10/1965	Schick	D8/312
D204,138	S	*	3/1966	Olson	D8/309
D253,686	S	*	12/1979	Wooldridge	D8/312
D268,846	S	*	5/1983	Jolliffe	D8/312
D435,999	S	*	1/2001	Noda	D7/351
D626,370	S	*	11/2010	Baek	D7/351
D641,581	S	*	7/2011	Ho	D7/328
D759,424	S	*	6/2016	Ou	D7/378
D850,868	S	*	6/2019	Lin	D7/378
D896,563	S	*	9/2020	Lee	D7/354
D905,530	S	*	12/2020	Williams	D8/312
D921,419	S	*	6/2021	Yang	D7/378
D926,513	S	*	8/2021	Moon	D7/358

OTHER PUBLICATIONS

Paderno Wide Slots Toaster, Canadian Tire, [online], [site visited Mar. 10, 2022], Available from internet URL: <https://www.canadiantire.ca/en/pdp/paderno-wide-slots-toaster-w-9-heating-settings-black-4-slices-0430763p.html#srp> (Year: 2022).*

* cited by examiner

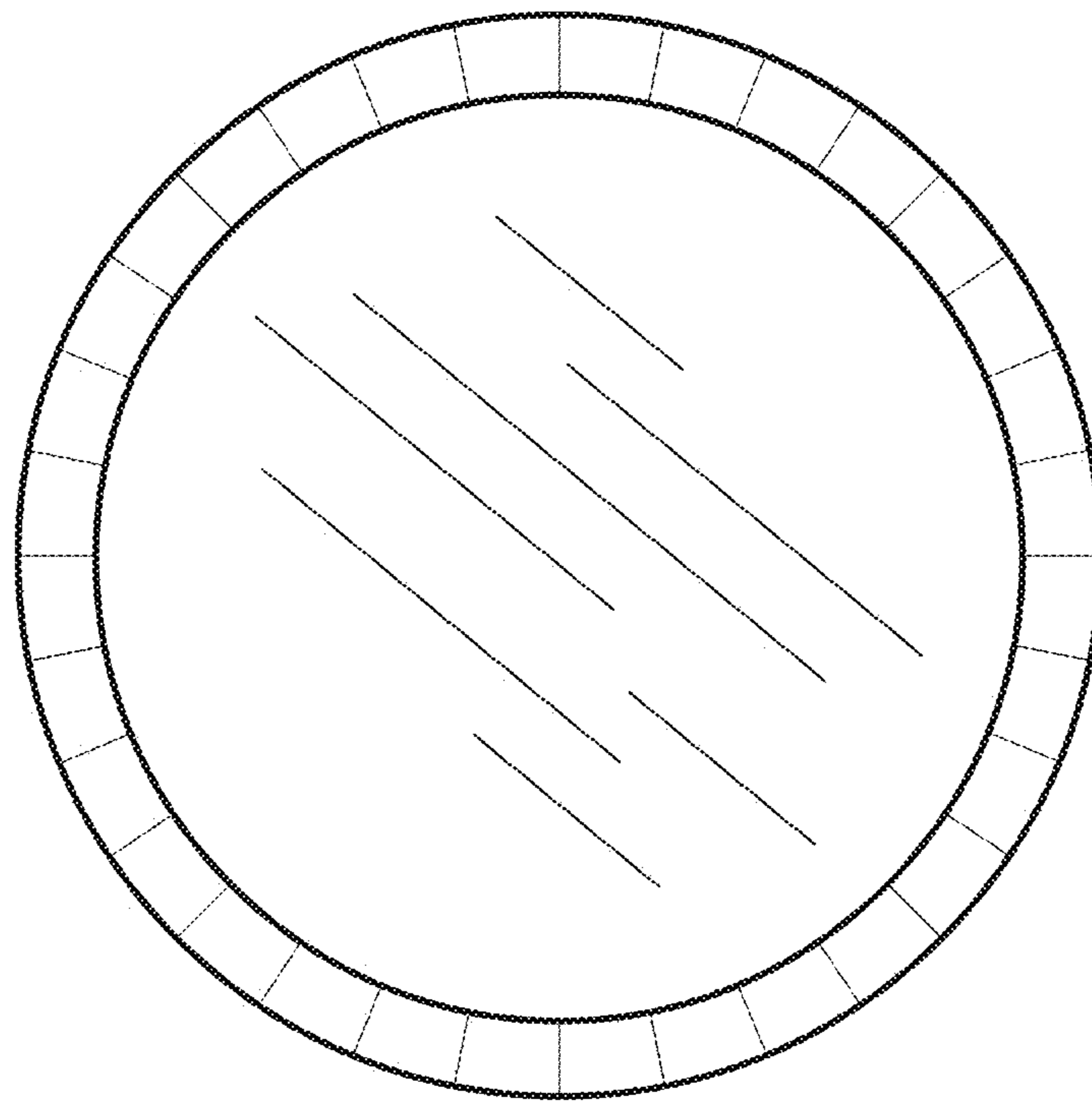


Figure 1

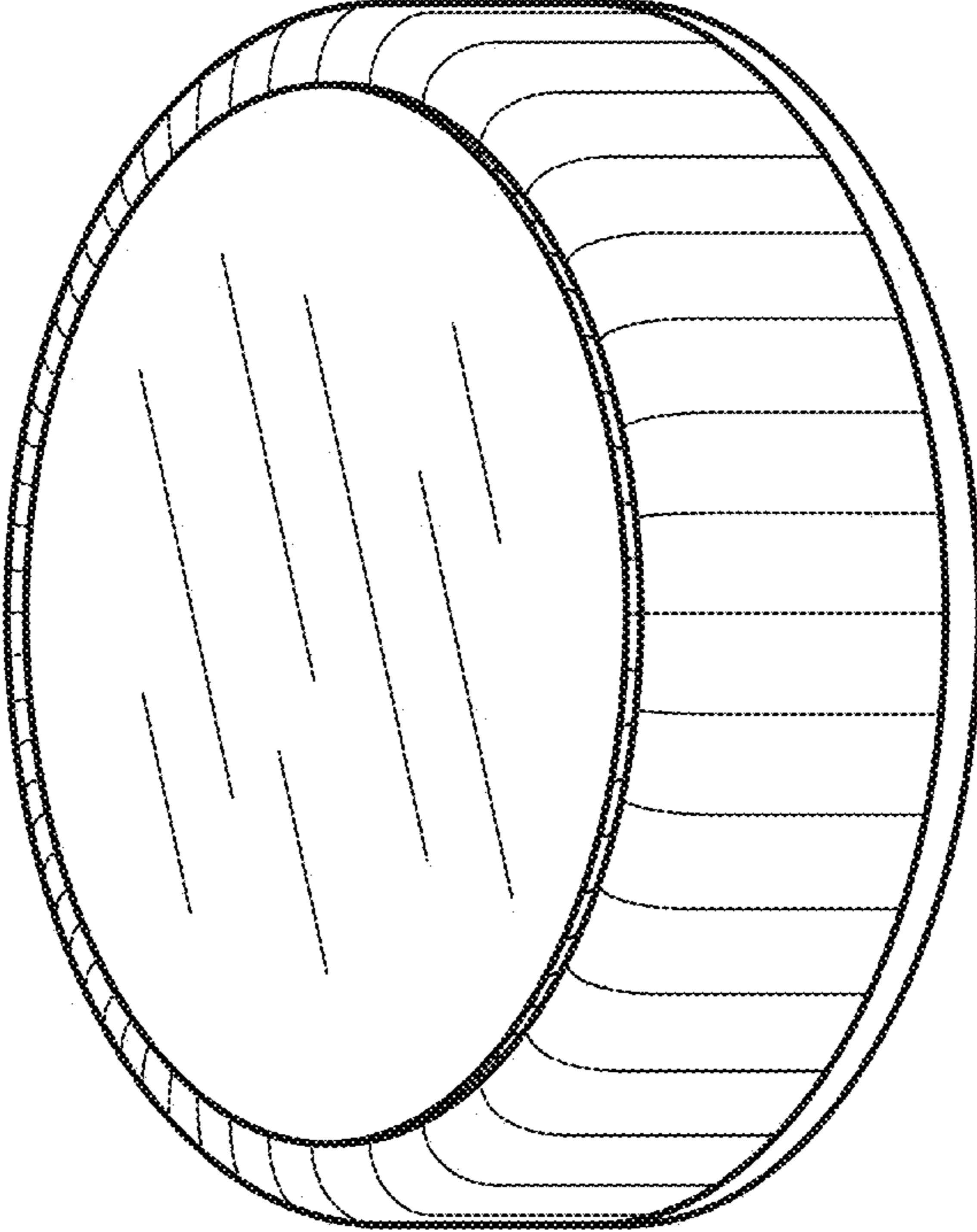


Figure 2

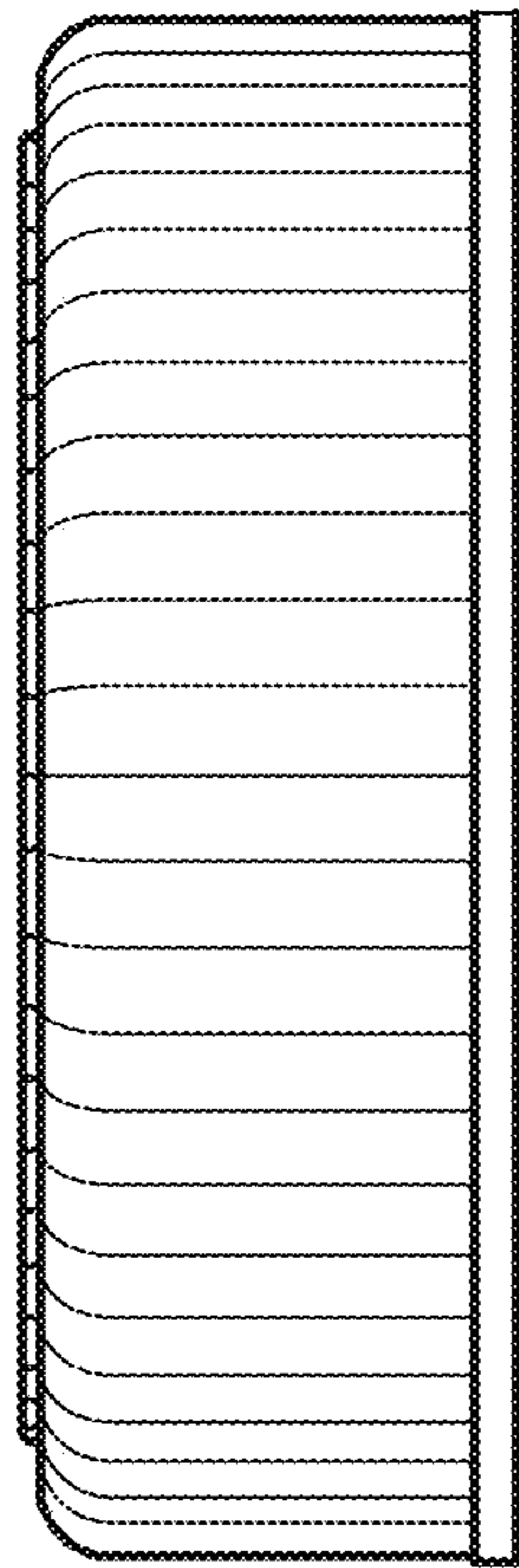


Figure 3

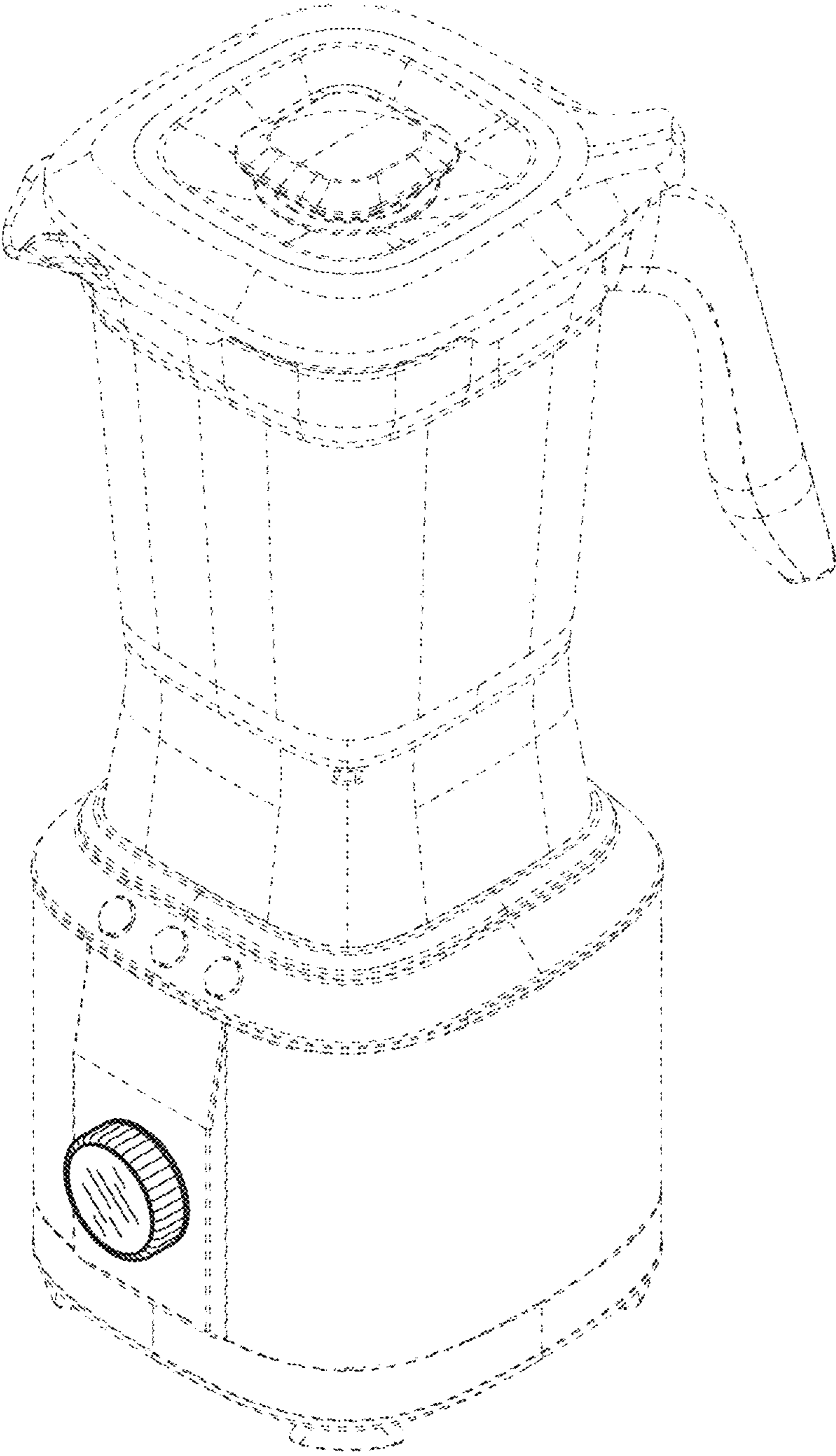


Figure 4

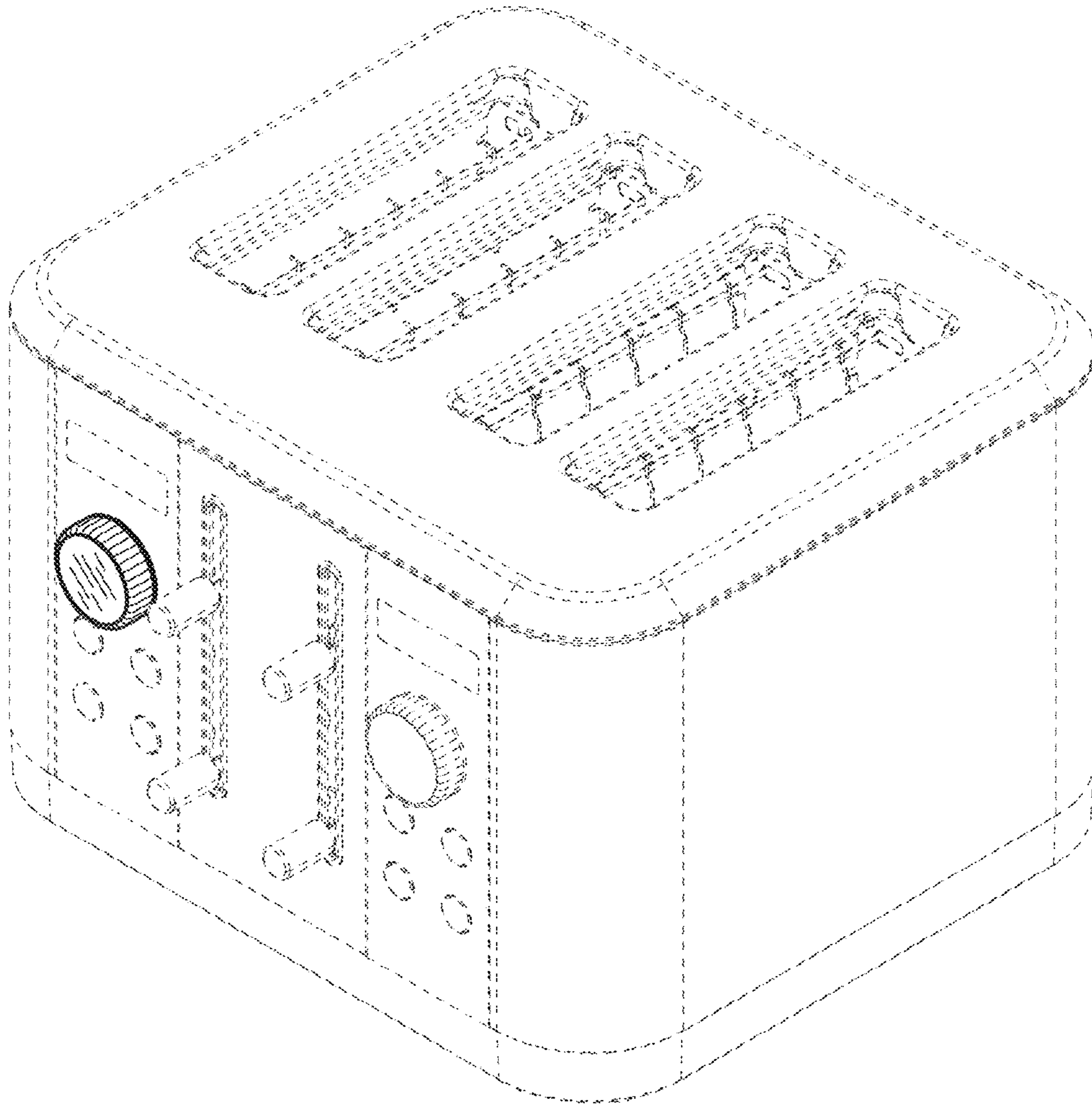


Figure 5

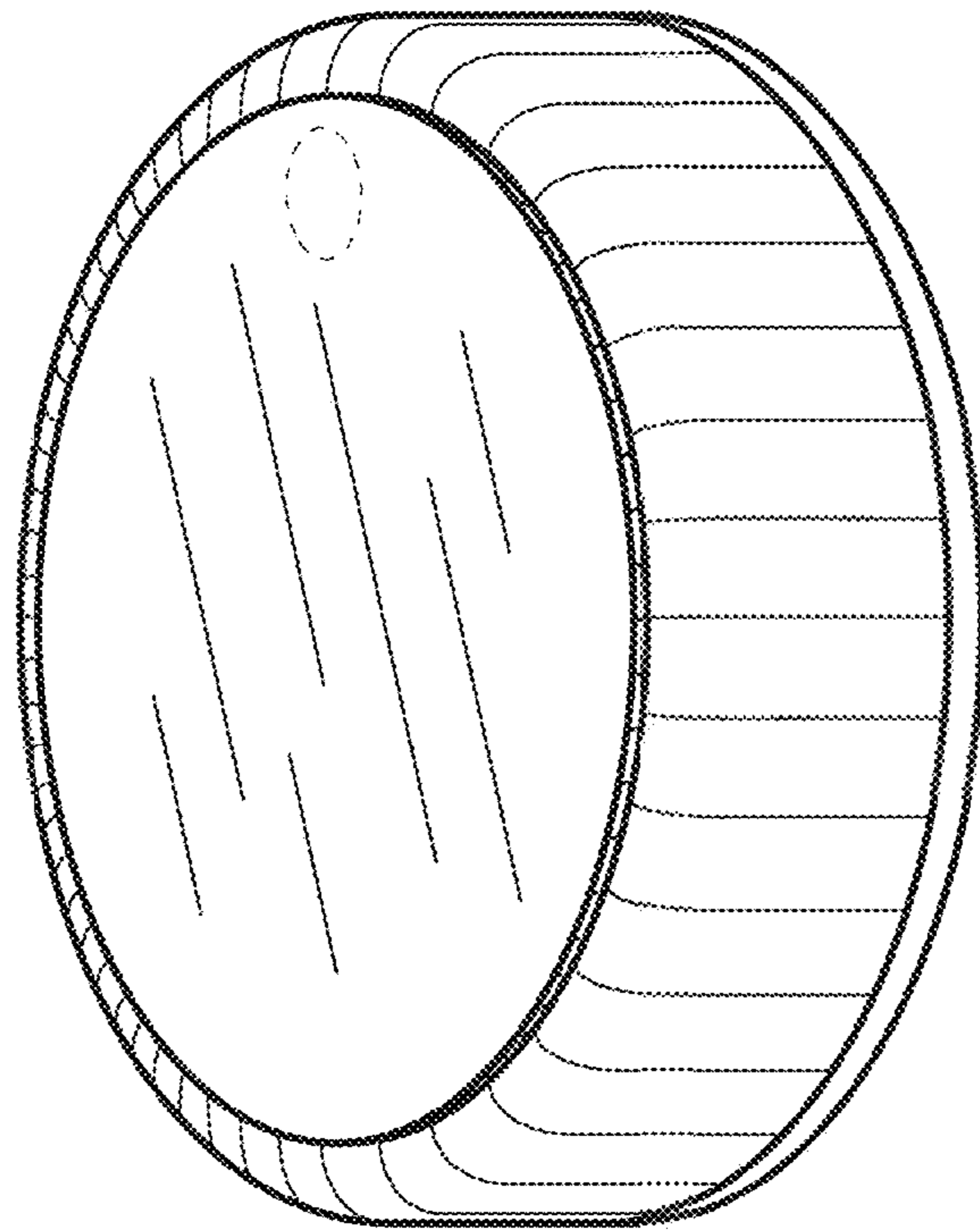


Figure 6

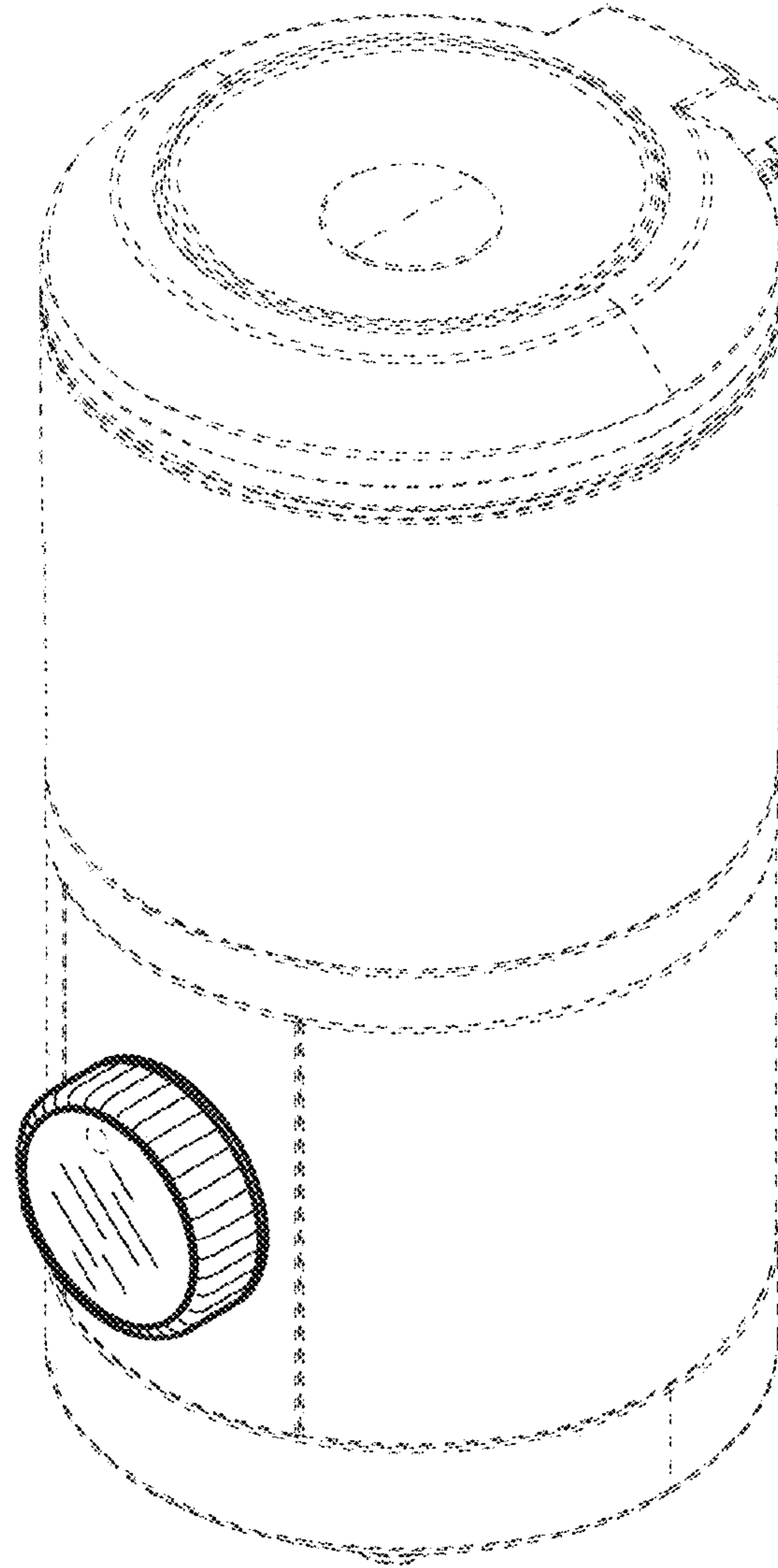


Figure 7