



US00D970284S

(12) **United States Design Patent** (10) **Patent No.:** **US D970,284 S**  
**Roland** (45) **Date of Patent:** **\*\* Nov. 22, 2022**

(54) **BLENDER BASE**

(56) **References Cited**

(71) Applicant: **Spectrum Brands, Inc.**, Middleton, WI (US)

U.S. PATENT DOCUMENTS

(72) Inventor: **Gregory Roland**, Middleton, WI (US)

D412,809 S	8/1999	Toro et al.	
D502,047 S *	2/2005	Ledingham .....	D7/384
D526,531 S	8/2006	Drees et al.	
D577,537 S	9/2008	Lee	
D611,760 S *	3/2010	Ball .....	D7/378
D617,136 S	6/2010	Bock et al.	
D625,141 S *	10/2010	Moore .....	D7/378
D637,870 S *	5/2011	Bock .....	D7/378
D654,305 S *	2/2012	Gursel .....	D7/378
D677,976 S	3/2013	Palermo et al.	
D694,573 S	12/2013	Norland et al.	
D694,574 S	12/2013	Norland et al.	
D694,582 S	12/2013	Norland	
D694,583 S *	12/2013	Norland .....	D7/378
D704,502 S *	5/2014	Coakley .....	D7/378
D745,317 S	12/2015	Dichraff et al.	
D778,665 S	2/2017	Barquin et al.	

(73) Assignee: **Spectrum Brands, Inc.**, Middleton, WI (US)

(\*\*) Term: **15 Years**

(21) Appl. No.: **29/829,632**

(22) Filed: **Mar. 7, 2022**

**Related U.S. Application Data**

(63) Continuation of application No. 29/753,432, filed on Sep. 30, 2020, now Pat. No. Des. 947,595.

(51) **LOC (13) Cl.** ..... **31-00**

(52) **U.S. Cl.**  
USPC ..... **D7/386; D7/376; D7/378; D7/384**

(58) **Field of Classification Search**  
USPC ..... D7/323, 326, 354, 372, 376-386, D7/412-413, 602, 629, 665-666, 669, D7/679, 693-694  
CPC .... A21C 1/02; A21C 1/04; A23N 1/00; A23N 1/02; A47J 43/04; A47J 43/25; A47J 43/27; A47J 43/28; A47J 43/042; A47J 43/044; A47J 43/046; A47J 43/075; A47J 43/0716; A47J 43/0722; A47J 43/0727; B01F 3/00; B01F 3/0807; B01F 3/0853; B01F 13/0059; B01F 13/0064; B01F 31/22; B02C 1/08; B02C 2/04; B02C 4/42; B02C 4/142; B02C 4/143; B02C 4/423; B02C 13/1835; B28C 5/10; B28C 5/12; B28C 5/14; B28C 5/16

See application file for complete search history.

(Continued)

**OTHER PUBLICATIONS**

KitchenAid KSB1575MC 5-Speed Diamond Blender. Date First Available on Amazon.com May 28, 2013. <https://www.amazon.com/dp/B00CGSESF2/ref> (Year: 2013).

*Primary Examiner* — Ricky Pham  
(74) *Attorney, Agent, or Firm* — Banner & Witcoff, Ltd.

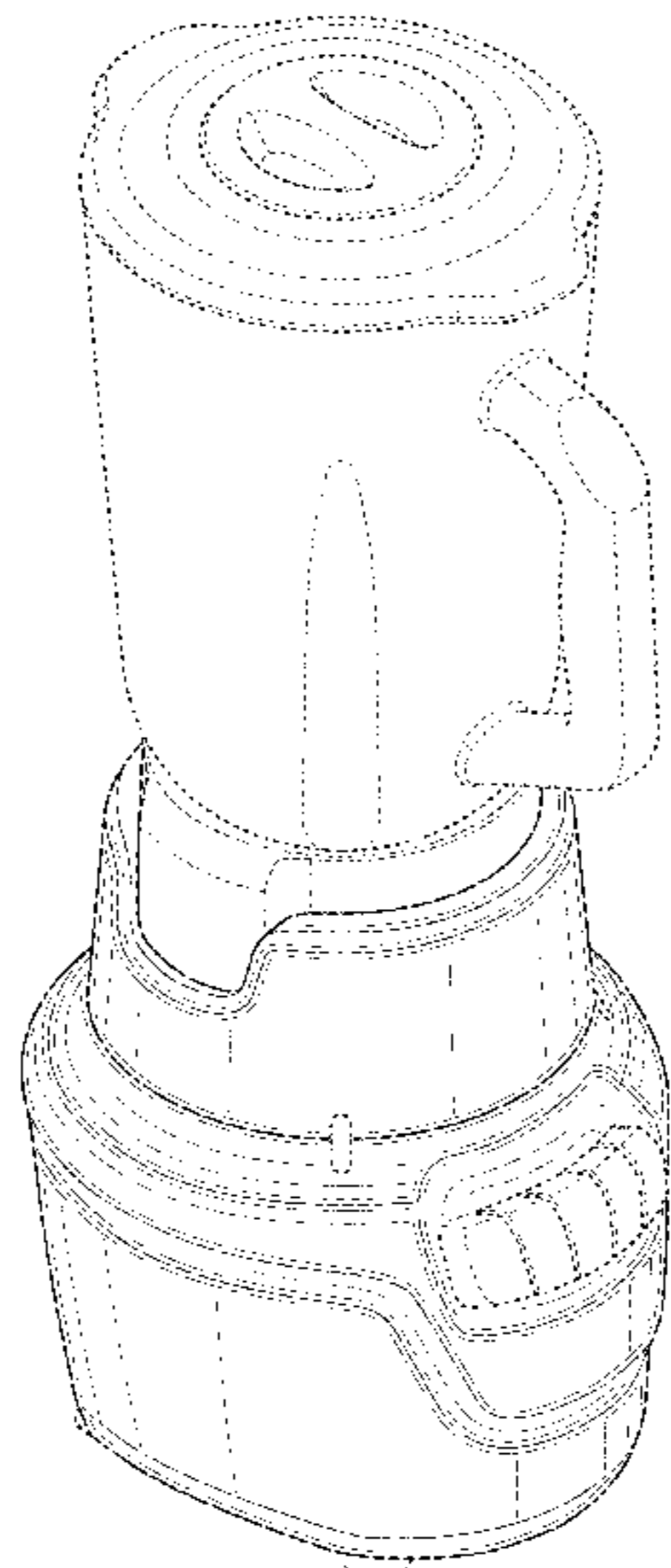
(57) **CLAIM**

The ornamental design for a blender base, as shown and described.

**DESCRIPTION**

FIG. 1 is a front perspective view of a blender base showing my new design;  
FIG. 2 is a front view thereof;  
FIG. 3 is a rear view thereof;  
FIG. 4 is a right side view thereof;  
FIG. 5 is a left side view thereof; and,  
FIG. 6 is a top view thereof.  
The broken lines depicting the remainder of the blender base form no part of the claimed design.

**1 Claim, 6 Drawing Sheets**



(56)

**References Cited**

U.S. PATENT DOCUMENTS

D779,265 S *	2/2017	Barquin .....	D7/378
D780,507 S *	3/2017	Barquin .....	D7/378
D784,069 S	4/2017	Blaise	
D799,891 S	10/2017	Lecoutre et al.	
D886,513 S *	6/2020	Steiner .....	D7/378
D920,735 S	6/2021	Carlson	
D922,133 S *	6/2021	Ting .....	D7/378
D940,499 S *	1/2022	DeLeo .....	D7/378
D947,595 S *	4/2022	Roland .....	D7/378

\* cited by examiner

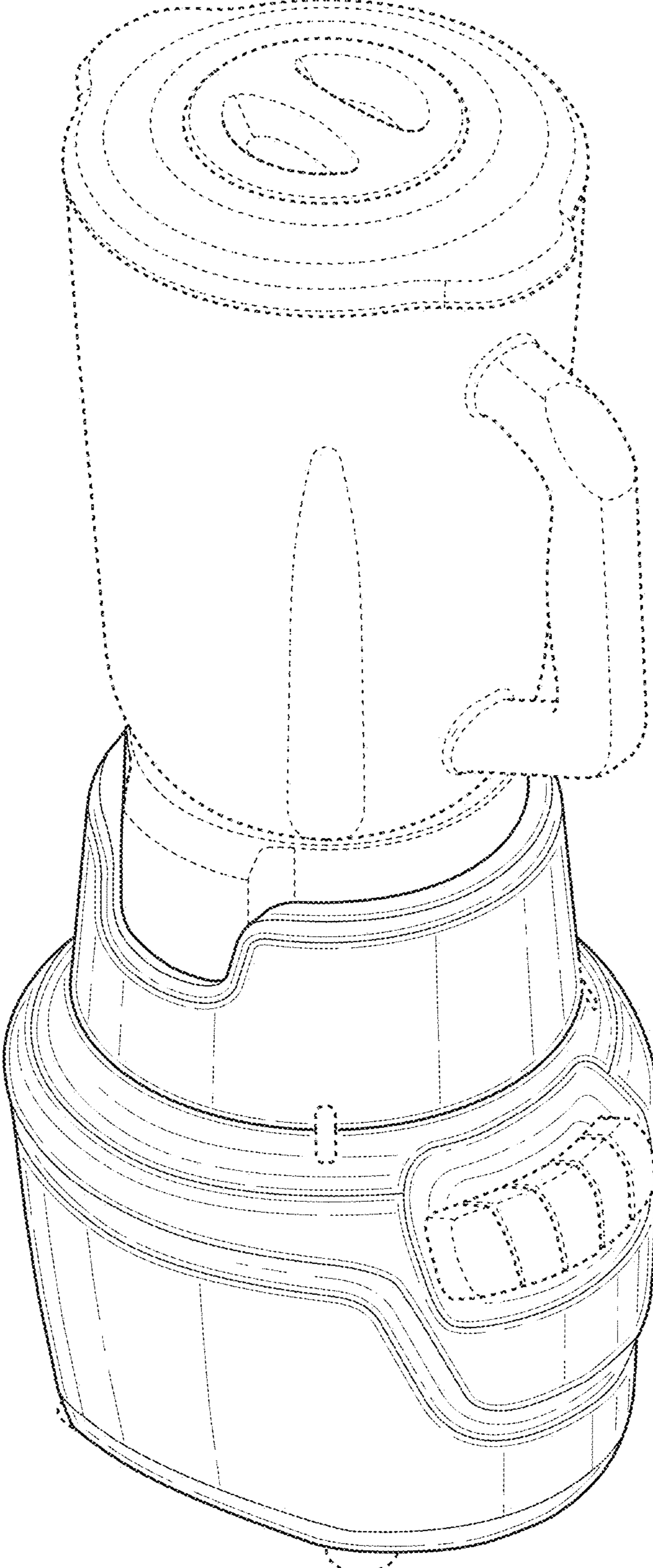


FIG. 1

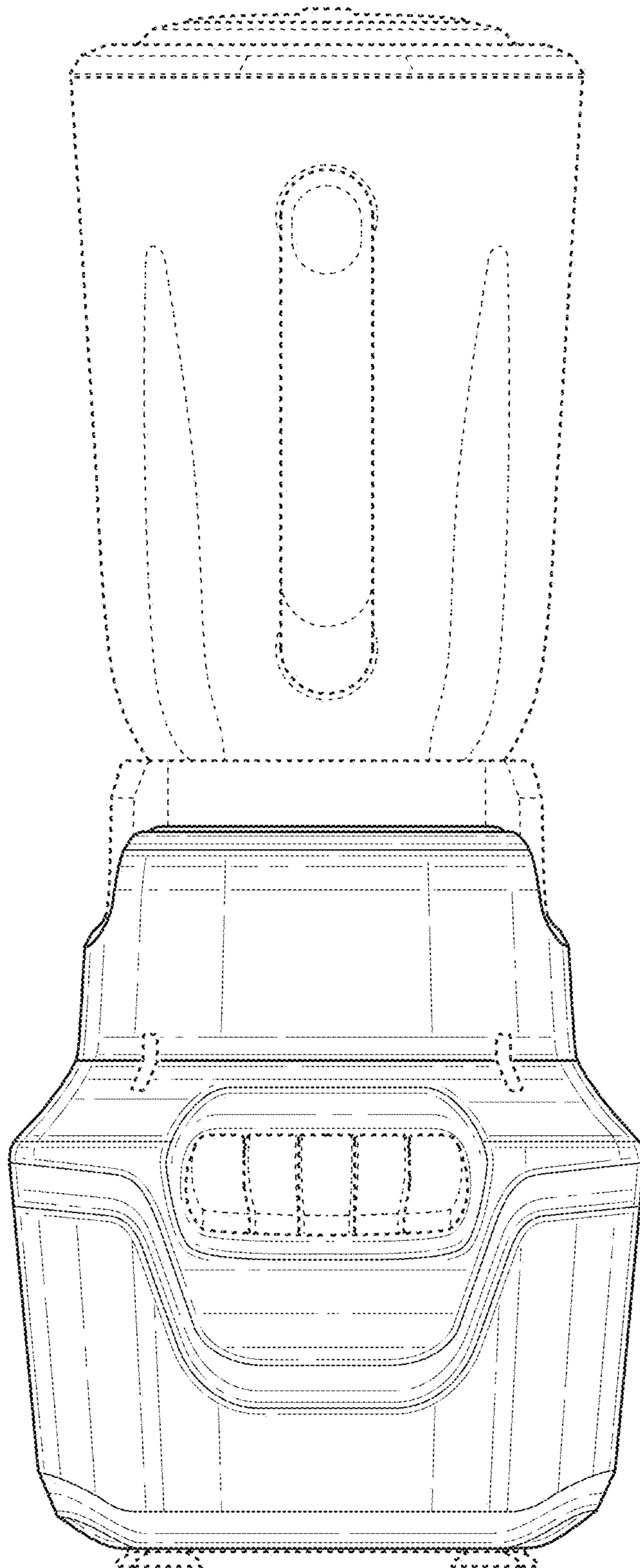


FIG. 2

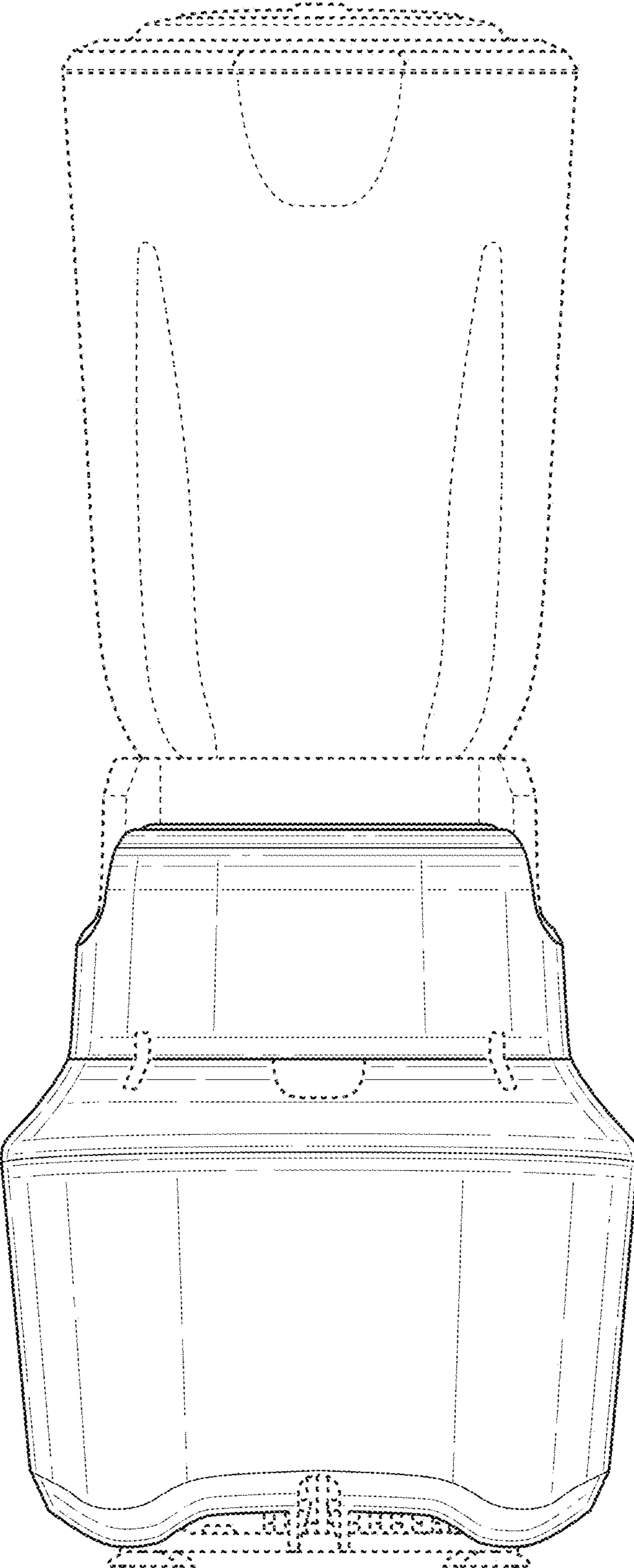


FIG. 3

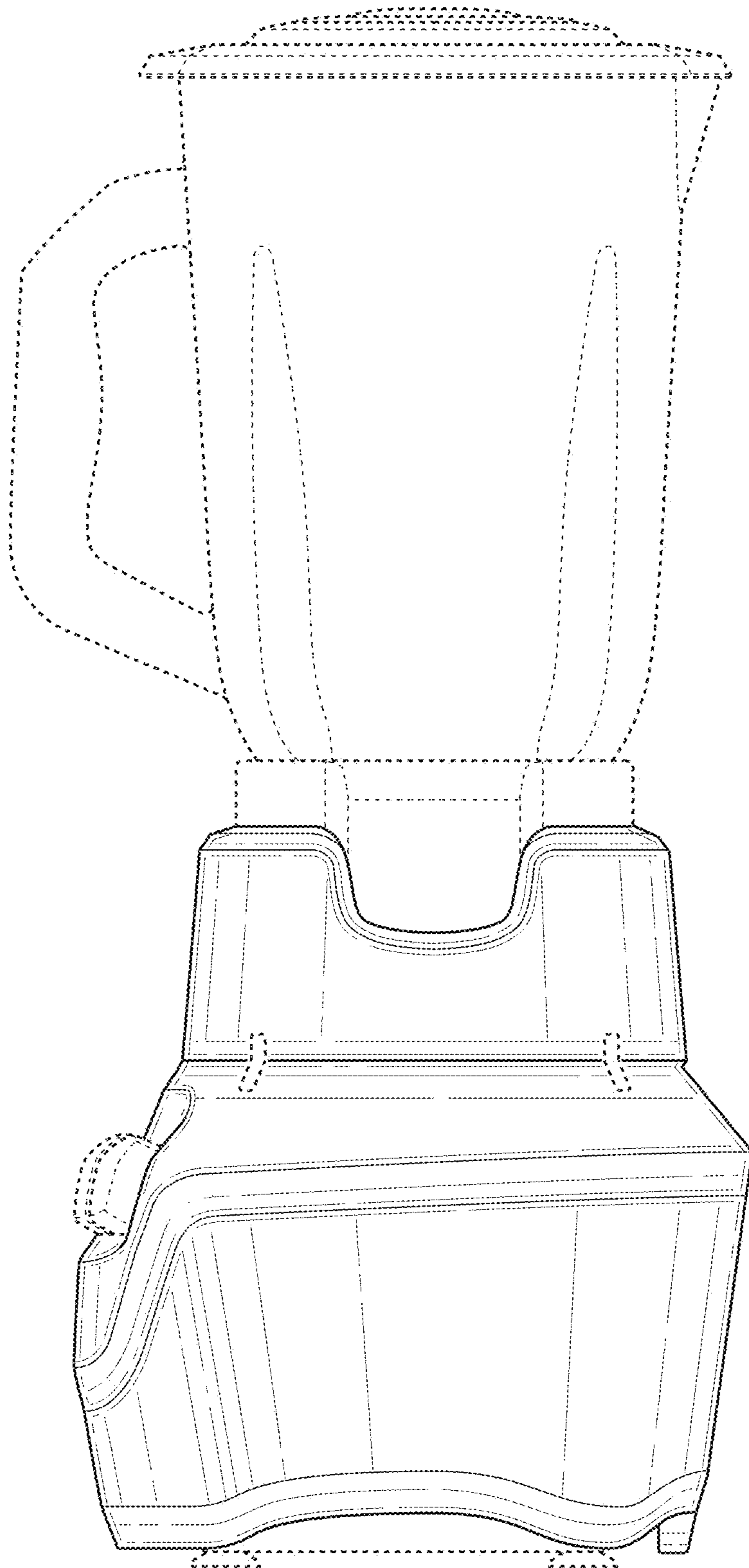


FIG. 4

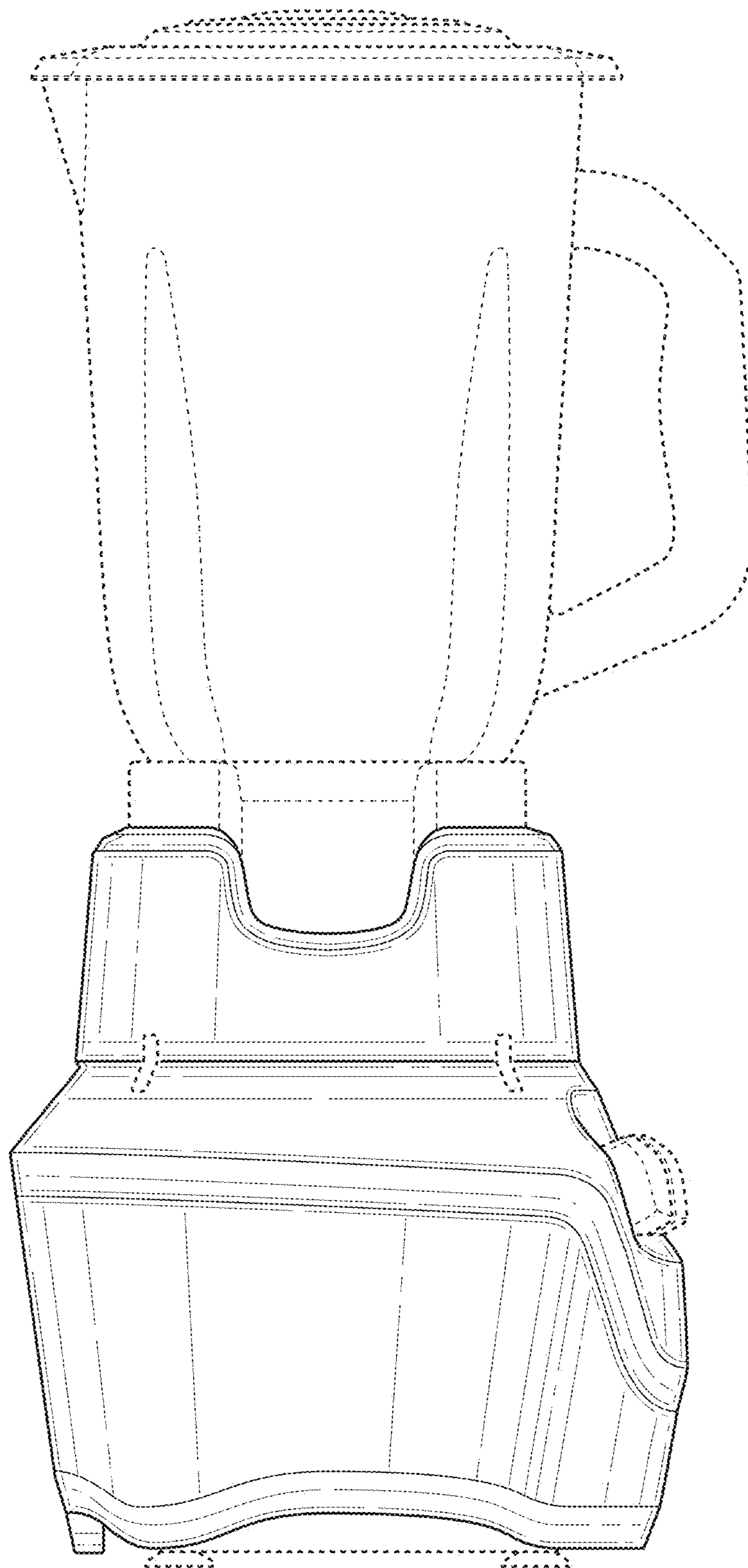
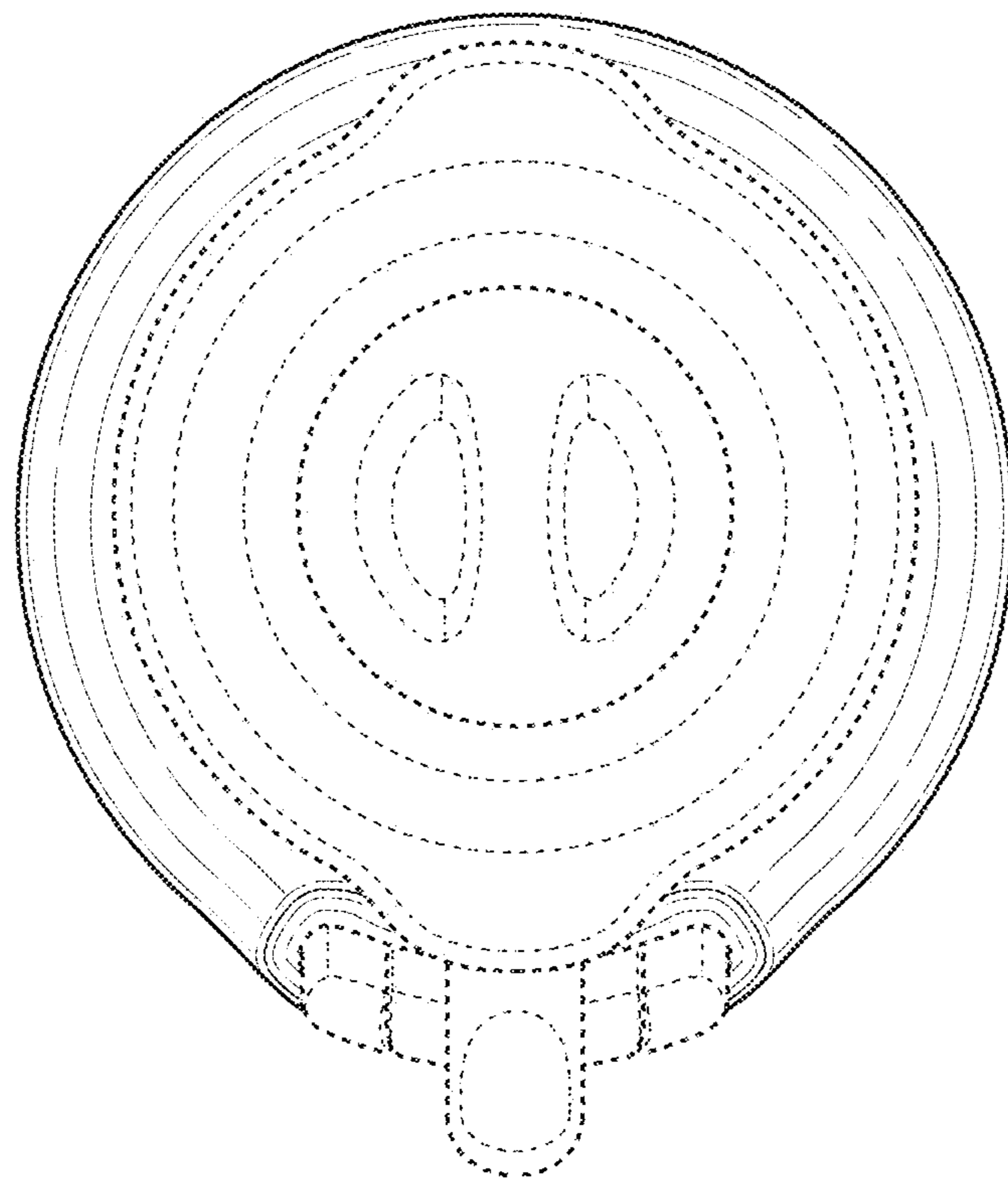


FIG. 5



**FIG. 6**