



US00D970279S

(12) **United States Design Patent** (10) **Patent No.:** **US D970,279 S**  
**Kim** (45) **Date of Patent:** **\*\* Nov. 22, 2022**

- (54) **METAL BRAZIER** 4,211,206 A \* 7/1980 Darbo ..... A47J 37/0763  
99/449
- (71) Applicant: **Tae Hwan Kim**, Wonju-si (KR) D410,536 S \* 6/1999 Willey ..... D23/335
- (72) Inventor: **Tae Hwan Kim**, Wonju-si (KR) D470,356 S \* 2/2003 Kipps ..... D7/332
- (\*\*) Term: **15 Years** D636,216 S \* 4/2011 Marsh ..... D7/332
- (21) Appl. No.: **35/511,457** D734,974 S \* 7/2015 Barford ..... D7/332
- (22) Filed: **Aug. 20, 2020** D865,929 S \* 11/2019 Hughes ..... D23/332
- (80) **Hague Agreement Data** D896,358 S \* 9/2020 Xu ..... D23/332
- Int. Filing Date: **Aug. 20, 2020** D942,202 S \* 2/2022 Kim ..... D7/337
- Int. Reg. No.: **DM/210436** 2012/0204852 A1 \* 8/2012 Boucher ..... F24C 1/16  
126/30
- Int. Reg. Date: **Aug. 20, 2020** 2016/0309662 A1 \* 10/2016 Green ..... A47J 37/0763
- Int. Reg. Pub. Date: **Feb. 26, 2021** 2018/0333003 A1 \* 11/2018 Huang ..... A47J 37/079
- 2019/0254477 A1 \* 8/2019 Skillman ..... A47J 37/0763

\* cited by examiner

*Primary Examiner* — Khawaja Anwar

- (51) **LOC (13) Cl.** ..... **07-01**
- (52) **U.S. Cl.**  
USPC ..... **D7/337**
- (58) **Field of Classification Search**  
USPC ..... D7/300, 301, 306, 309, 311, 312, 313,  
D7/323, 332, 337, 339, 346, 347, 348,  
D7/352, 362, 363, 365, 367, 368, 376,  
D7/377, 378, 379, 381, 383, 399, 407,  
D7/409, 510, 523, 543, 532, 538, 665  
CPC ... A47F 2003/021; A47F 5/103; A47G 25/06;  
A47G 25/0692  
See application file for complete search history.

(57) **CLAIM**

The ornamental design for a metal brazier, as shown and described.

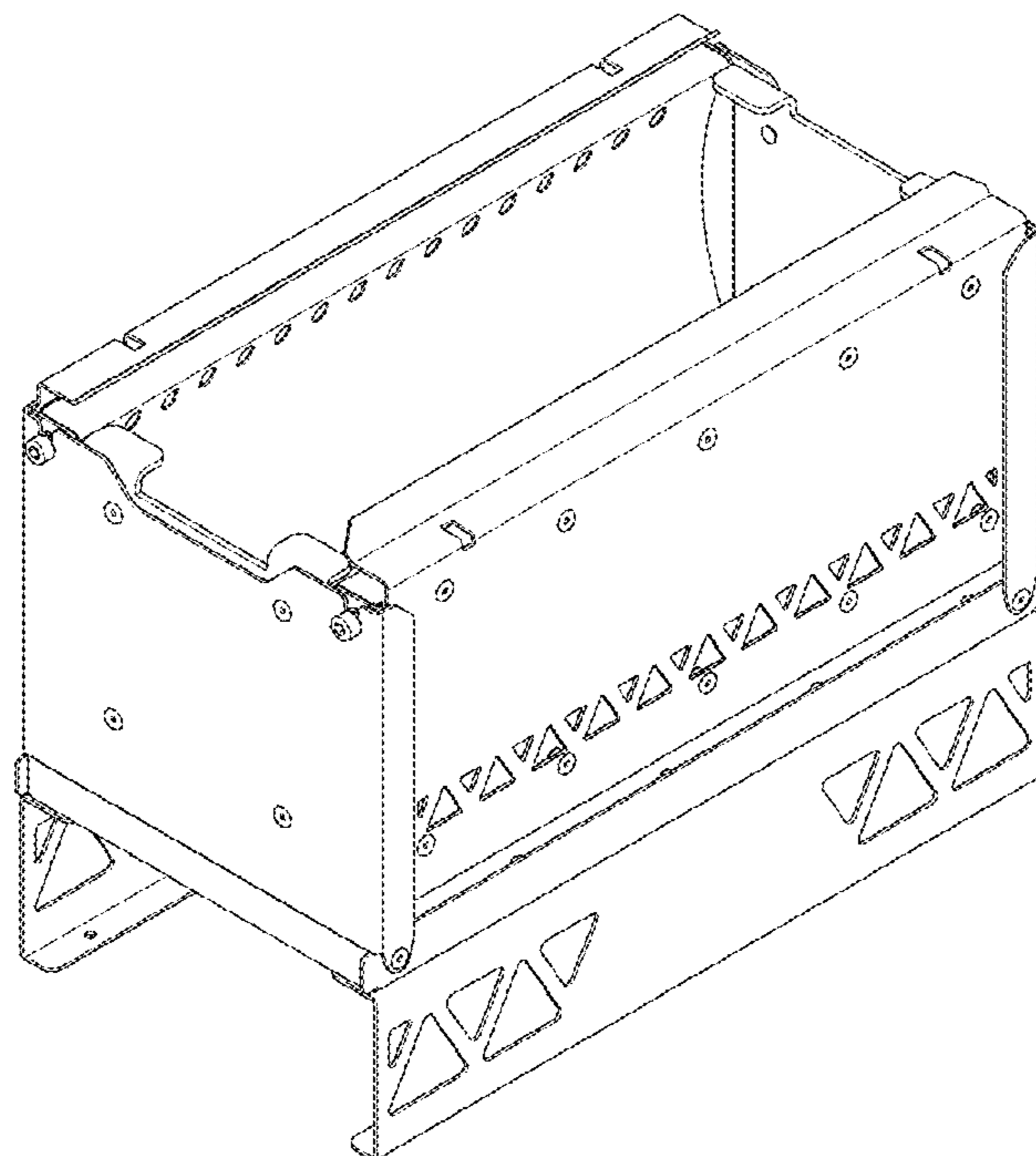
**DESCRIPTION**

- 1. Metal brazier
- 1.1** : Perspective
- 1.2** : Front
- 1.3** : Back
- 1.4** : Left
- 1.5** : Right
- 1.6** : Top
- 1.7** : Bottom
- 1.8** : Reference drawing

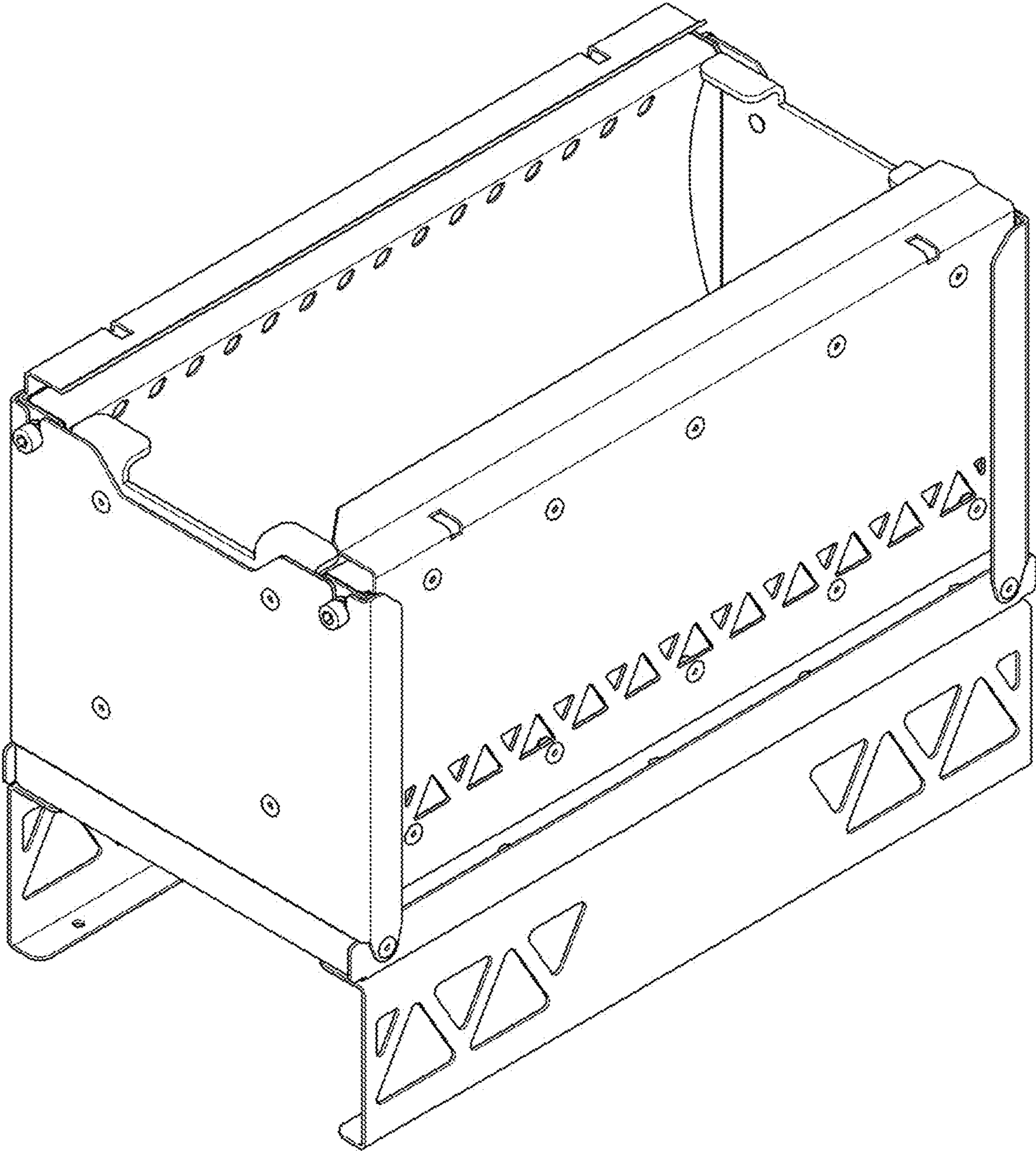
This article is a metal brazier; **1.8** is a reference drawing showing the use of this article with a fire plate mounted at the top thereof; **1.8** forms no part of claimed design.

**1 Claim, 8 Drawing Sheets**

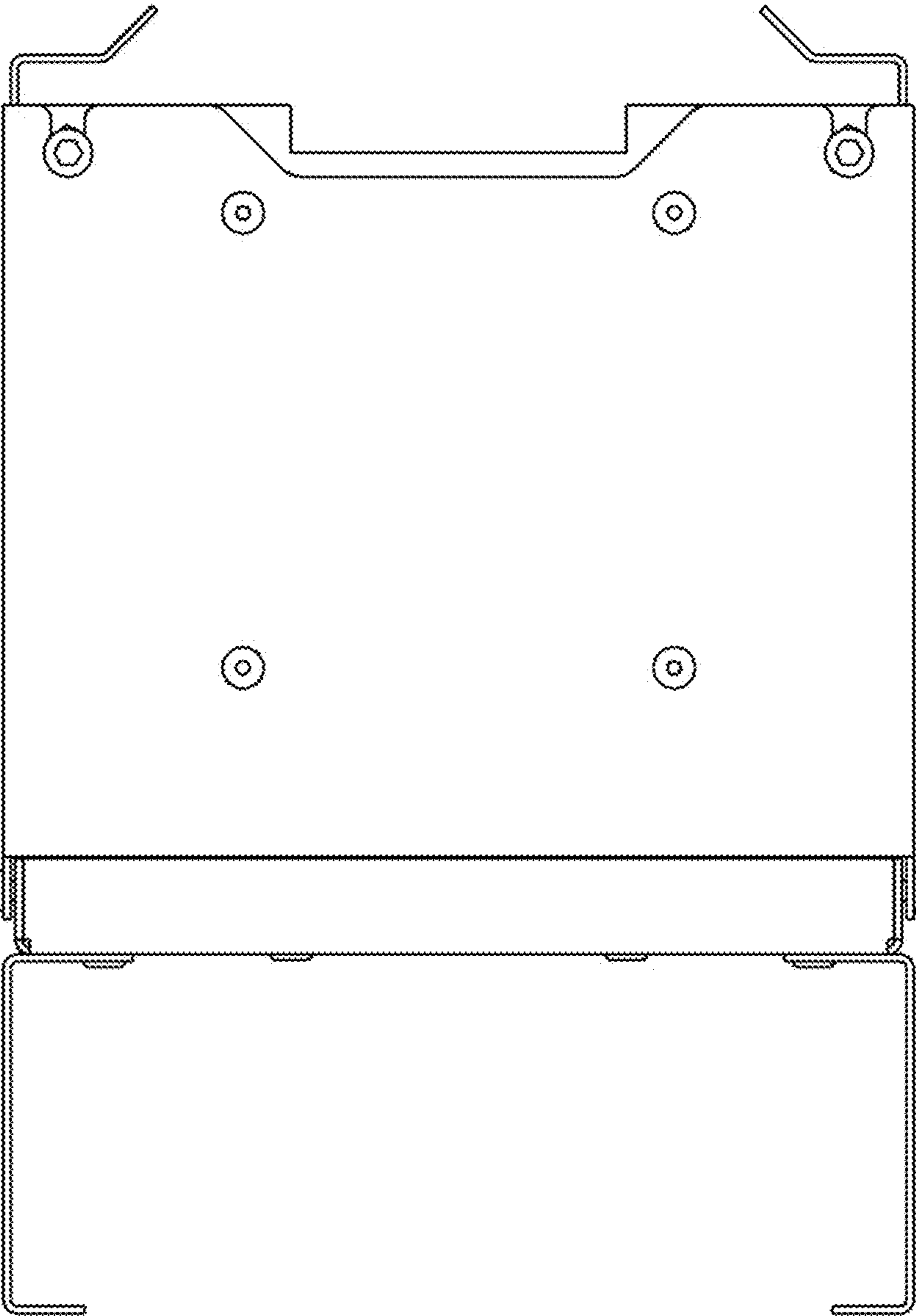
- (56) **References Cited**  
U.S. PATENT DOCUMENTS  
1,238,142 A \* 8/1917 Hitchcock ..... F24B 1/205  
248/167  
3,297,166 A \* 1/1967 Summers ..... A47J 37/0786  
211/70.1



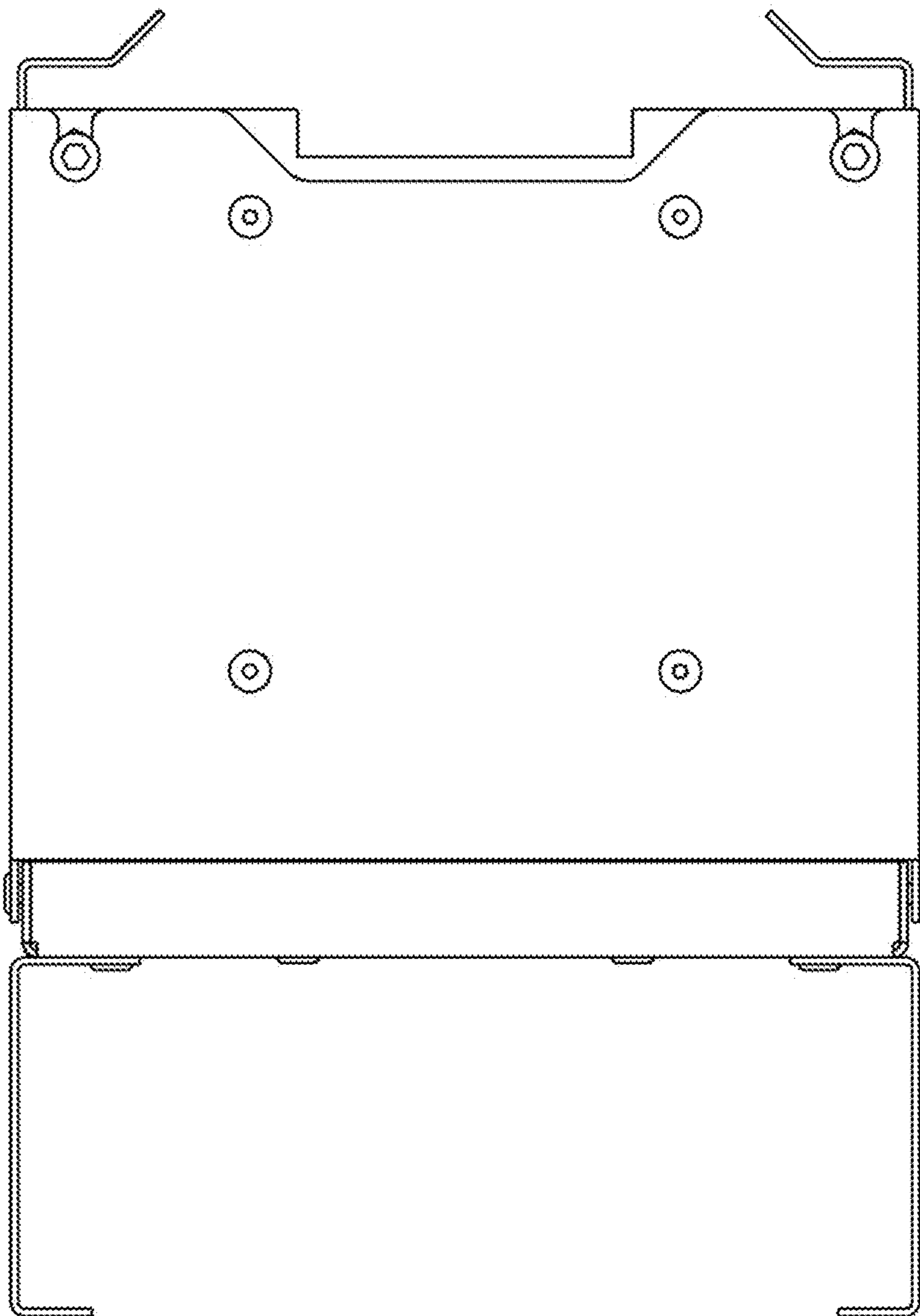
1.1



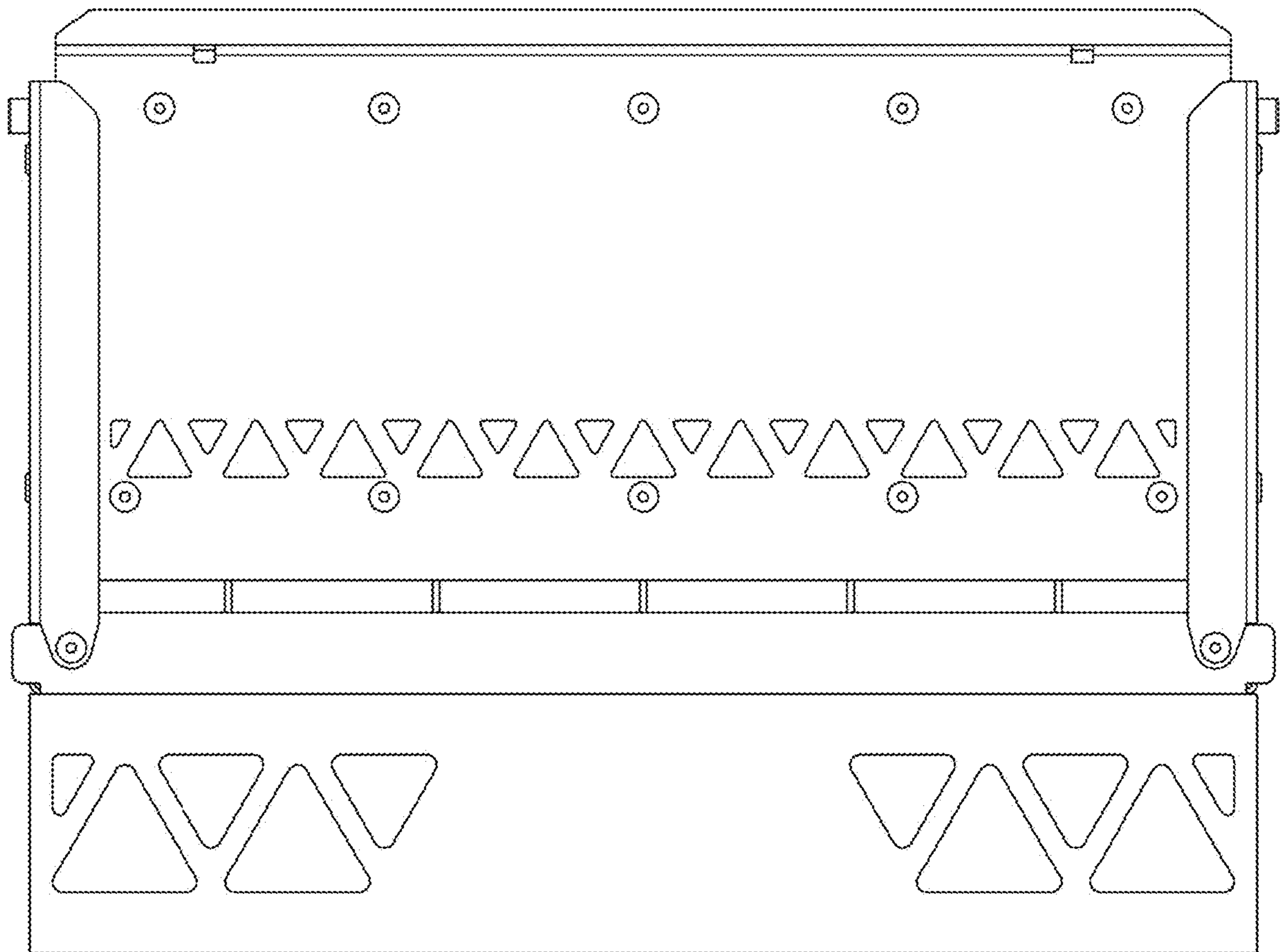
1.2



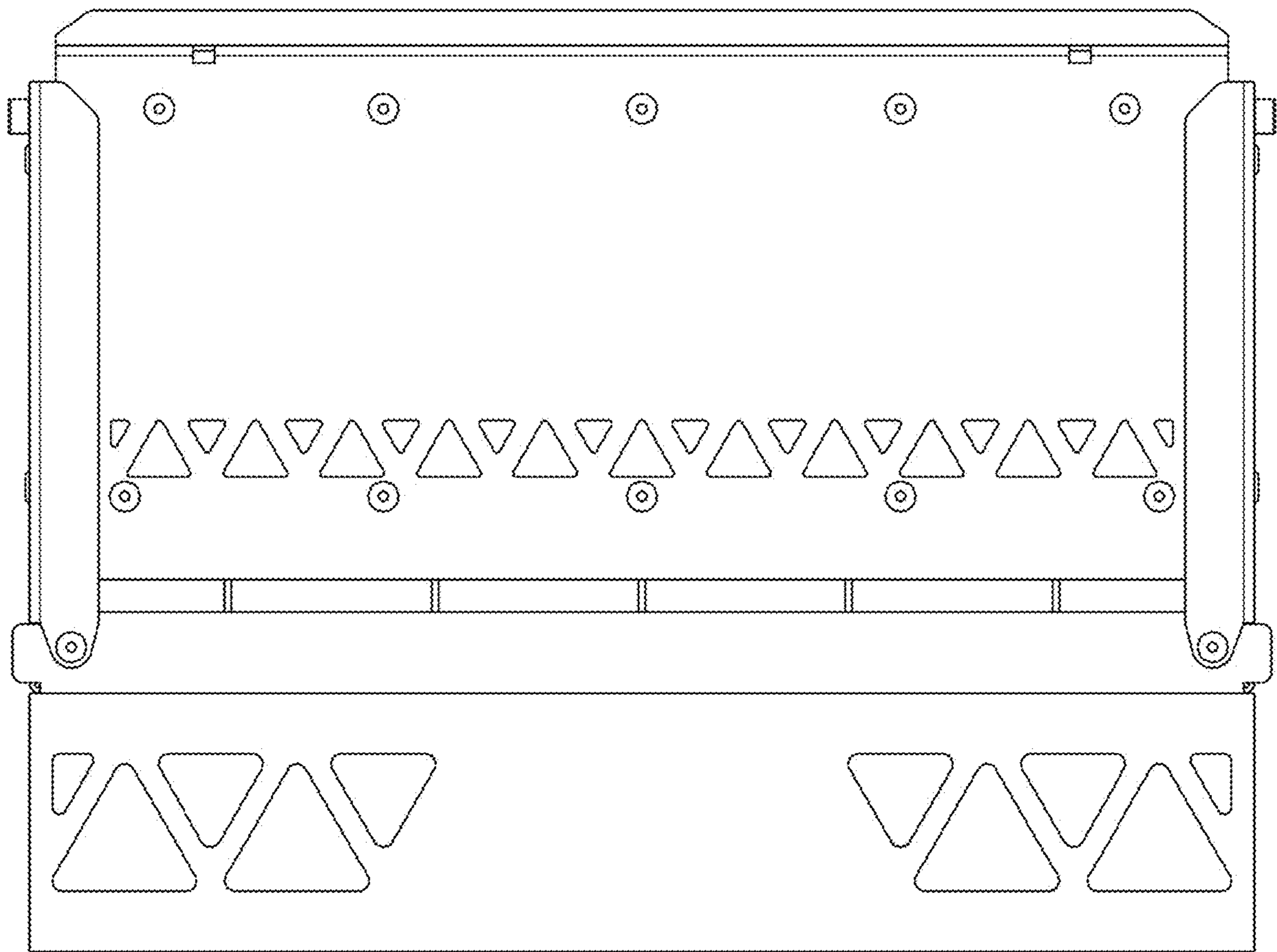
1.3



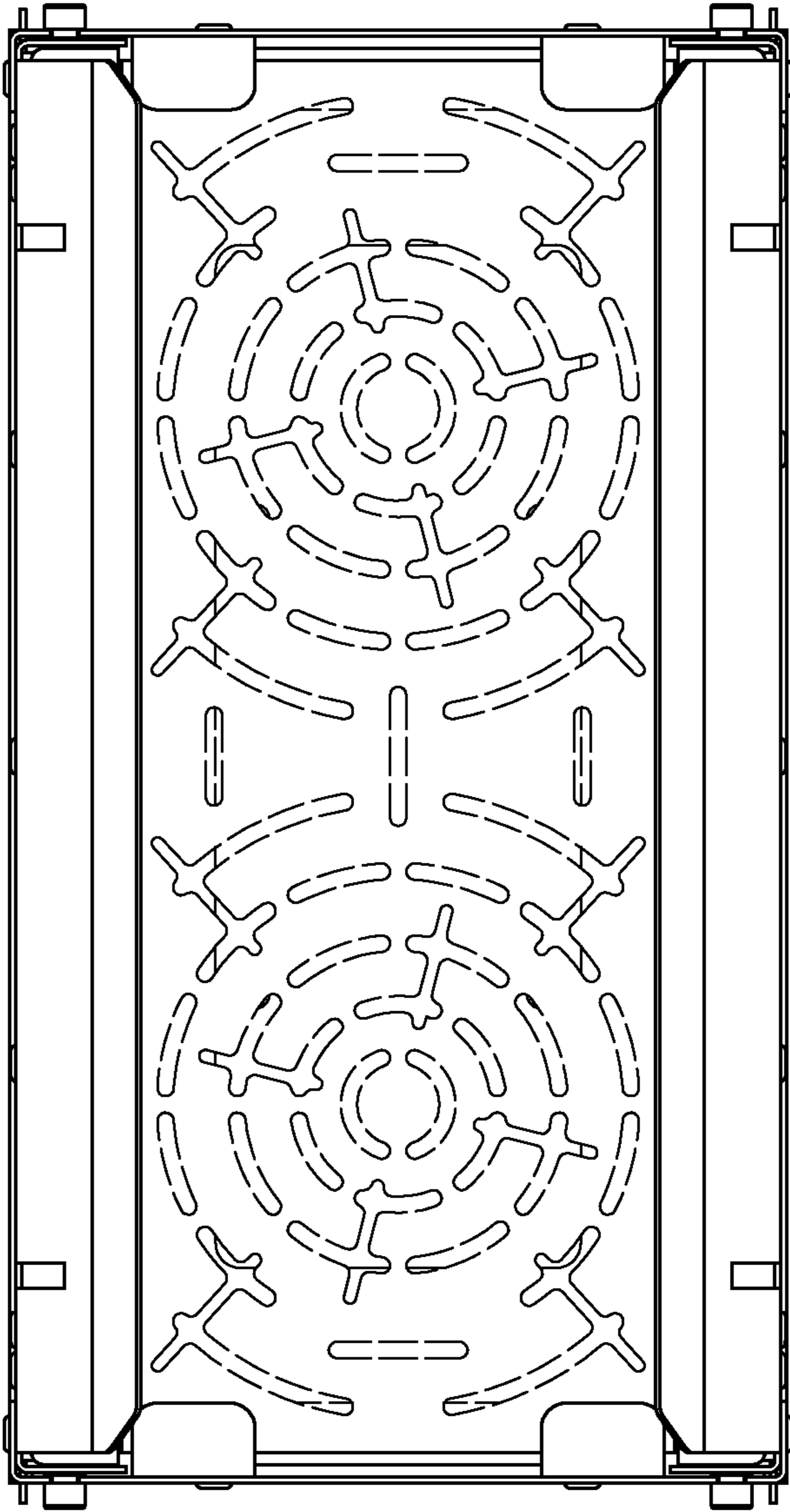
1.4



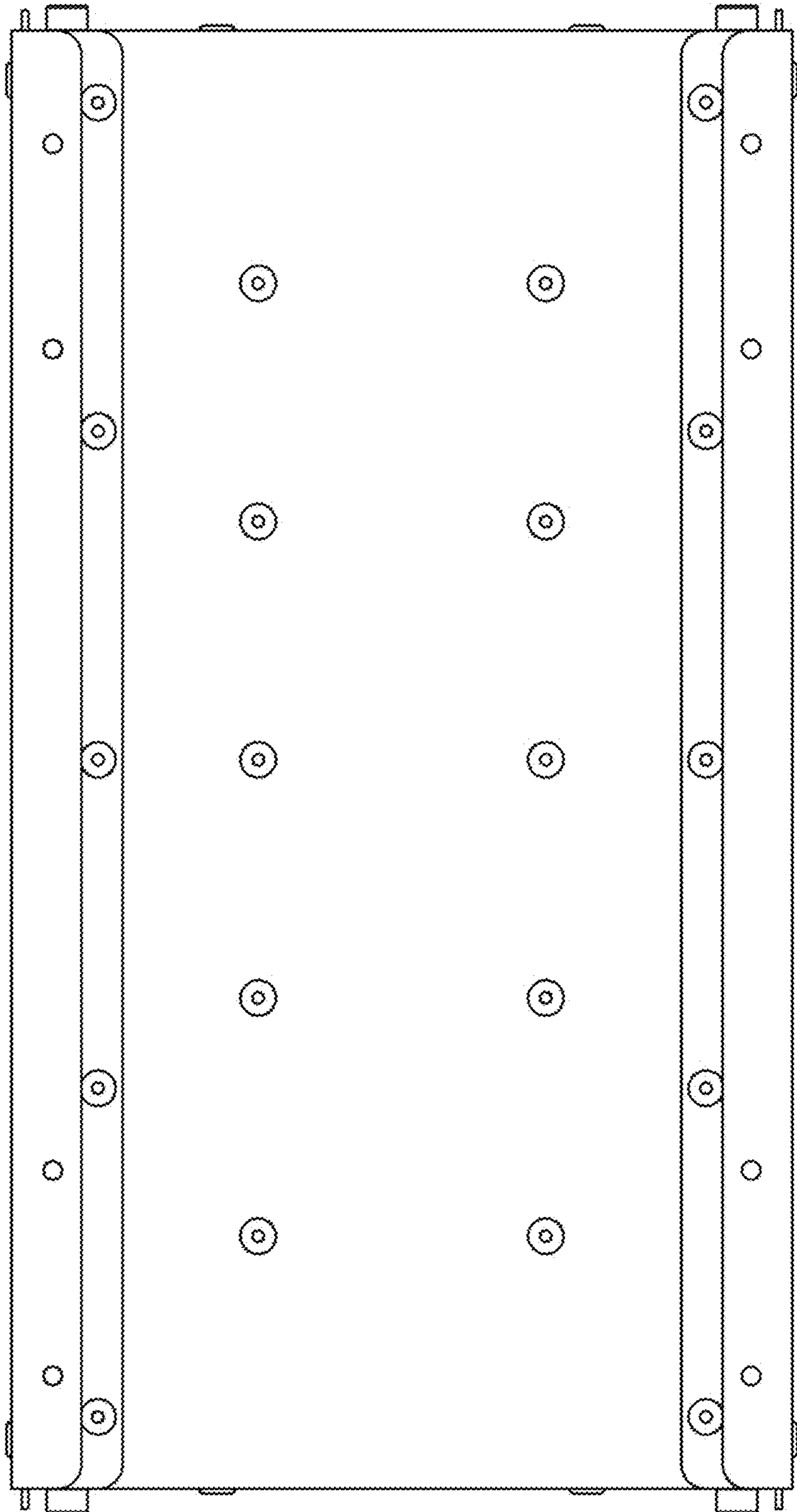
1.5



1.6



1.7





1.8

