



US00D970277S

(12) **United States Design Patent** (10) **Patent No.:** **US D970,277 S**
Tanchette et al. (45) **Date of Patent:** **** Nov. 22, 2022**

(54) **DRINKING FOUNTAIN**

2001/0098; B67D 2001/0822; B67D
3/0032; B67D 3/0035; B67D 7/82; B67D
(Continued)

(71) Applicant: **SOCIETE ANONYME DES EAUX
MINERALES D'EVIAN**, Evian les
Bains (FR)

(56) **References Cited**

(72) Inventors: **Jean-Baptiste Tanchette**, Publier (FR);
Alain Colloud, Revvroz (FR)

U.S. PATENT DOCUMENTS

(73) Assignee: **SOCIETE ANONYME DES EAUX
MINERALES D'EVIAN**, Evian les
Bains (FR)

D45,333 S * 3/1914 Farr D7/300
D49,991 S * 12/1916 Cordley A01K 7/02
D7/300

(Continued)

(**) Term: **15 Years**

OTHER PUBLICATIONS

(21) Appl. No.: **29/708,170**

Design No. 302673909, Dec. 4, 2013—China National Intellectual
Property Administration (CNIPA) Publication Date—Dec. 4, 2013
Owner—Runxin Electrical Appliance CO LTD, Designer—Yang
Zhongchang WIPO, available at [https://www3.wipo.int/designdb/
en/index.jsp](https://www3.wipo.int/designdb/en/index.jsp) (Year: 2013).*

(22) Filed: **Oct. 3, 2019**

(Continued)

(30) **Foreign Application Priority Data**

Apr. 4, 2019 (EM) 006369237-0001
Apr. 4, 2019 (EM) 006369237-0002
Apr. 4, 2019 (EM) 006369237-0003
Apr. 4, 2019 (EM) 006369237-0004

Primary Examiner — Mary Ann Calabrese
Assistant Examiner — Natalya M Rapundalo
(74) *Attorney, Agent, or Firm* — DLA Piper LLP (US)

(51) **LOC (13) Cl.** **07-01**

(57) **CLAIM**

(52) **U.S. Cl.**
USPC **D7/306**

The ornamental design for a drinking fountain, as shown and
described.

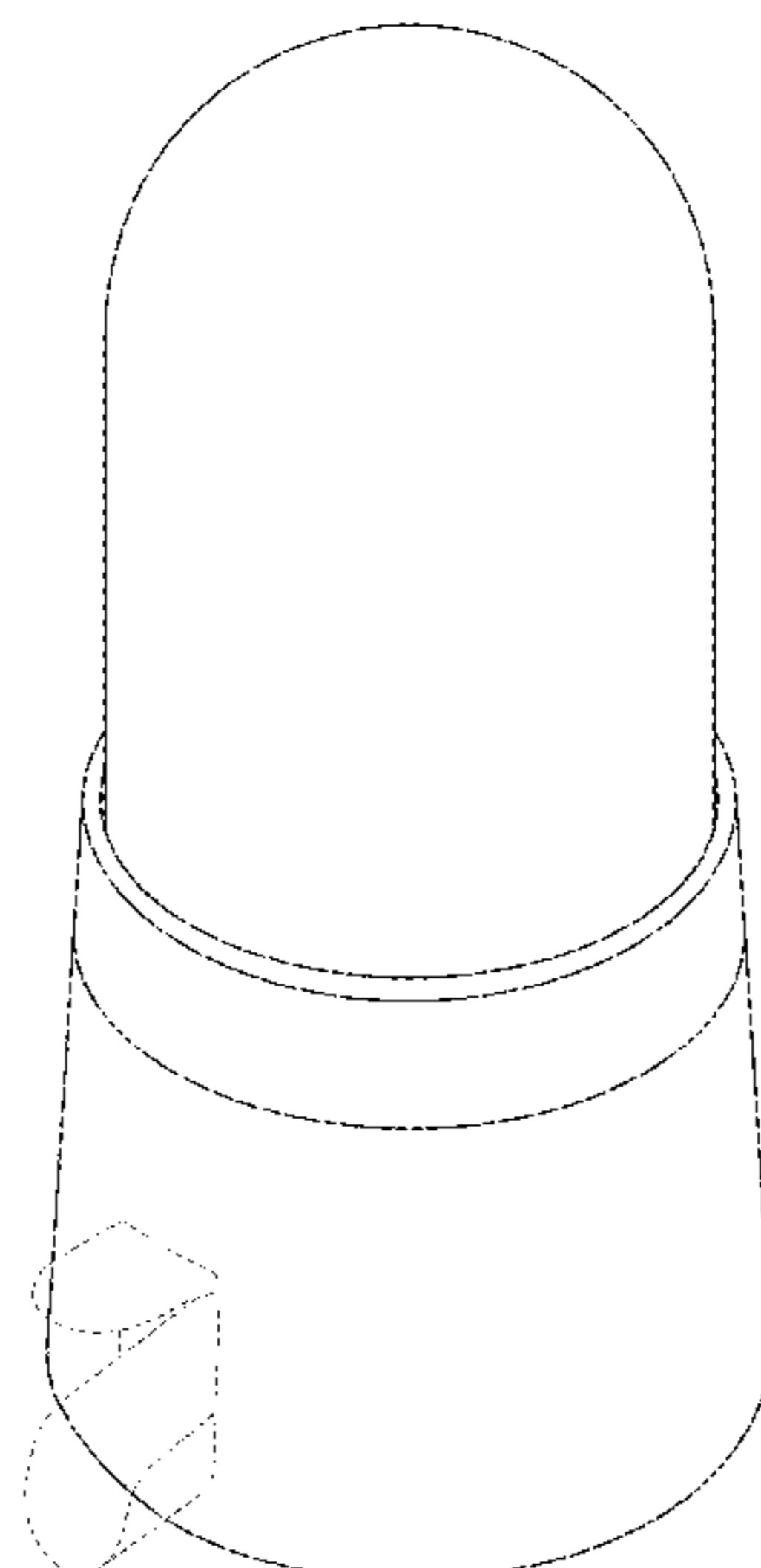
(58) **Field of Classification Search**

DESCRIPTION

USPC D7/300–322, 378, 397–400, 602, 603,
D7/700; D9/417, 447, 524–526, 530,
D9/572, 575, 633; D15/81, 82; D20/1;
D23/201, 205, 209; D24/216, 220, 224;
D30/121, 132; D34/39; 99/275, 276
CPC A23G 9/0452; A47J 31/00; A47J 31/007;
A47J 31/057; A47J 31/10; A47J 31/3676;
A47J 31/40; A47J 31/402; A47J 31/404;
A47J 31/41; A47J 31/4482; A47J
31/4489; A47J 43/042; A47J 43/27; A47J
2043/04454; B67D 1/00; B67D 1/0004;
B67D 1/0021; B67D 1/0078; B67D
1/0462; B67D 1/0801; B67D 1/0872;
B67D 1/1252; B67D 2001/0087; B67D

FIG. 1 is a perspective view of a drinking fountain showing
our design.
FIG. 2 is a front view of the drinking fountain.
FIG. 3 is a rear view of the drinking fountain.
FIG. 4 is a left side view of the drinking fountain.
FIG. 5 is a right side view of the drinking fountain.
FIG. 6 is a top view of the drinking fountain; and,
FIG. 7 is a bottom view of the drinking fountain.
The broken lines in the drawings represent portions of the
drinking fountain and form no part of the claimed design.

1 Claim, 7 Drawing Sheets



(58) **Field of Classification Search**
 CPC 7/84; C02F 1/002; C02F 1/003; C12C
 11/00; C12C 11/006; C12C 13/10
 See application file for complete search history.

(56) **References Cited**

U.S. PATENT DOCUMENTS

D80,768 S *	3/1930	Ames	D7/312
D90,052 S *	5/1933	Rose	D7/313
2,087,465 A *	7/1937	Bacher	G09F 13/24 239/23
D273,357 S *	4/1984	Alfirevic	D7/306
D300,963 S *	5/1989	Atchley	D30/132
D338,705 S *	8/1993	Spokoiny	D23/209
D379,050 S *	5/1997	Kohanski	D7/306
D393,108 S *	3/1998	Atchley	D30/119
D478,241 S *	8/2003	Heilstedt	B67D 3/0035 D7/304

D632,759 S *	2/2011	Chen	D23/209
D739,090 S *	9/2015	Banks	D30/121
D814,841 S *	4/2018	Sluifster	D7/306
D898,575 S *	10/2020	Tanchette	G09F 13/24 D9/503
2017/0225937 A1 *	8/2017	Gallagher	B67D 3/0035
2019/0239476 A1 *	8/2019	Mai	A01K 7/02
2022/0017353 A1 *	1/2022	Tanchette	B67D 3/0083

OTHER PUBLICATIONS

Evian launches collapsible bubble to combat plastic waste, first available Apr. 20, 2019, Dezeen, [online], [site visited Aug. 31, 2021], Available from internet URL: <https://www.dezeen.com/2019/04/20/evian-renew-collapsible-bubble-plastic-waste/> (Year: 2019).*

Fontaine evian (re)new, Evian Chez Vous, [online], [site visited Aug. 31, 2021], Available from internet URL: <https://www.evianchezvous.com/evianrenew> (Year: 2021).*

* cited by examiner

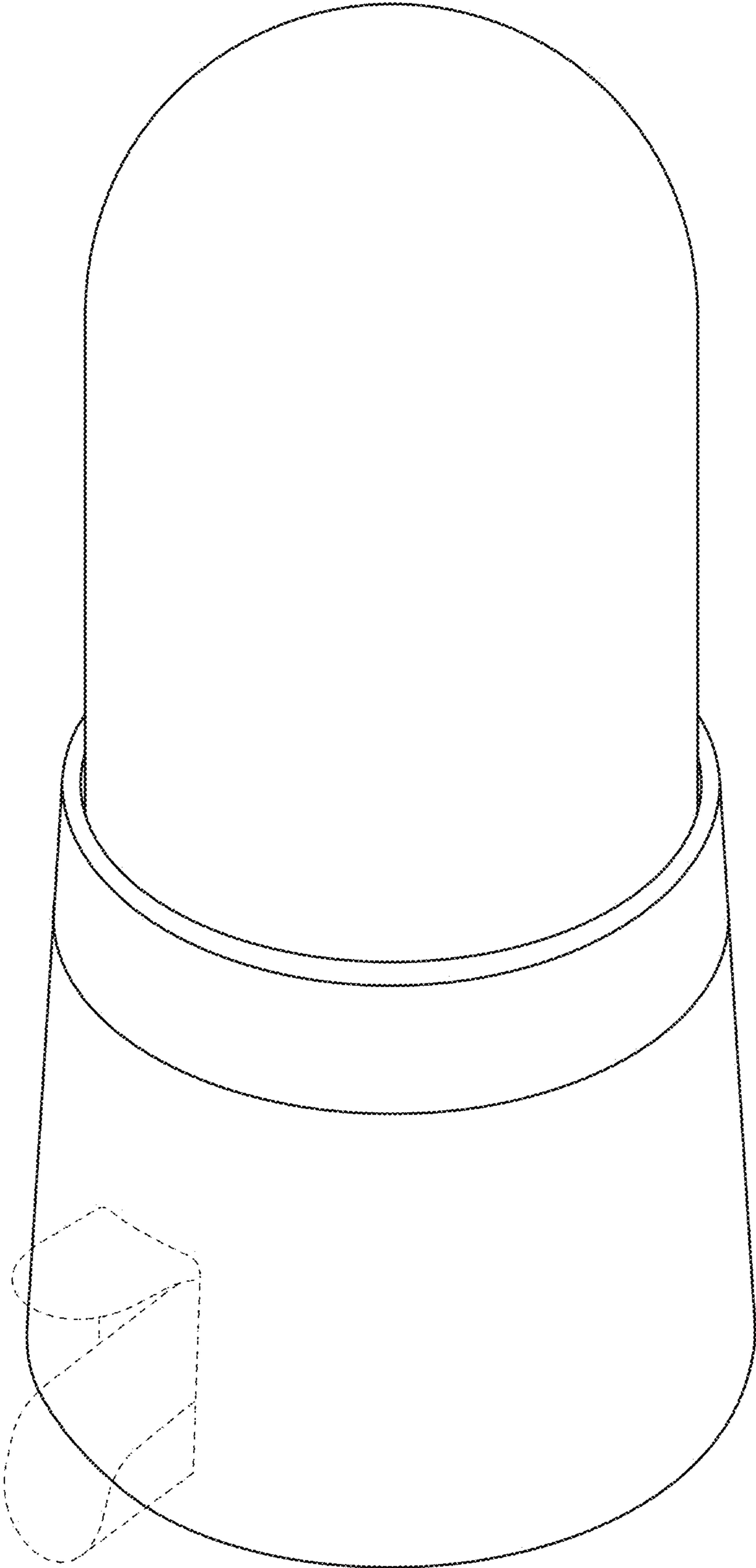


FIG. 1

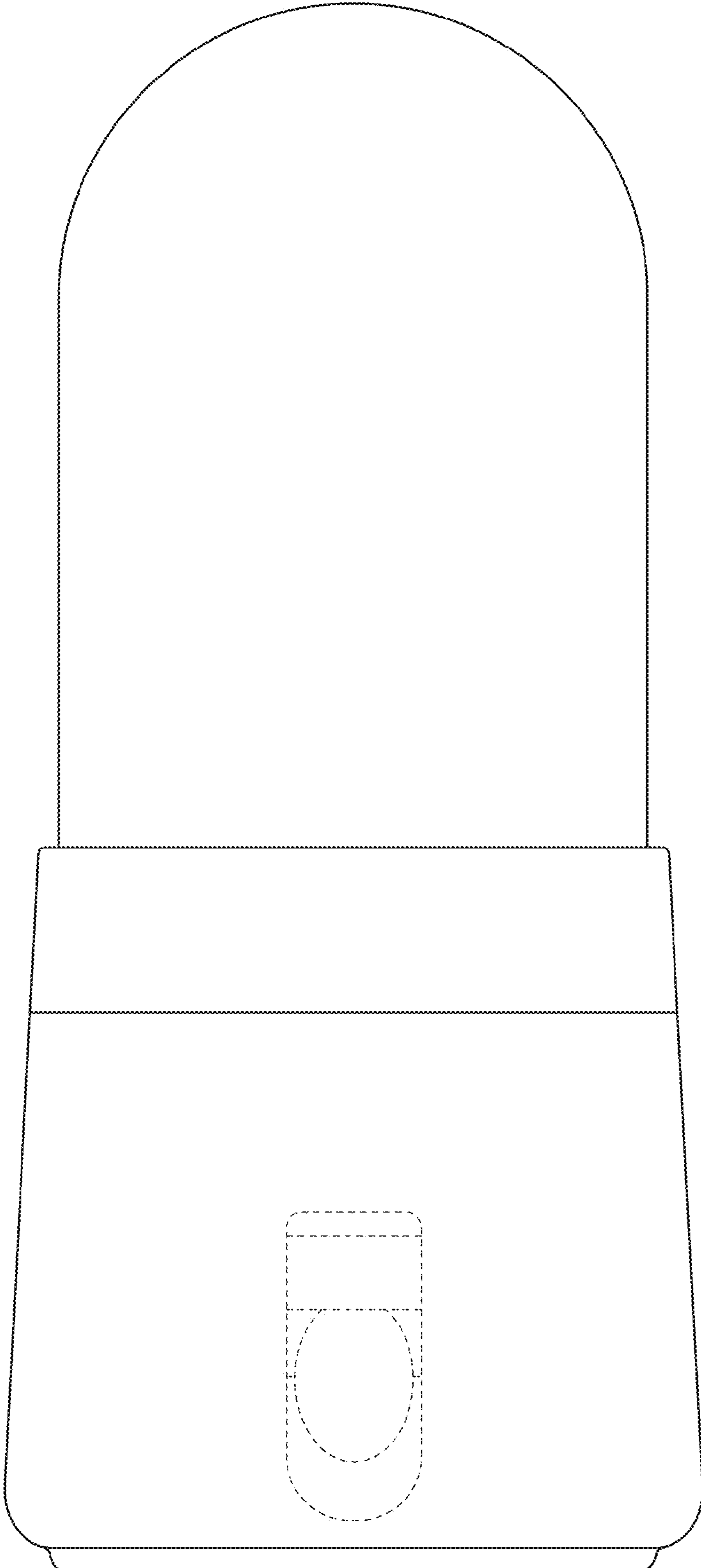


FIG. 2

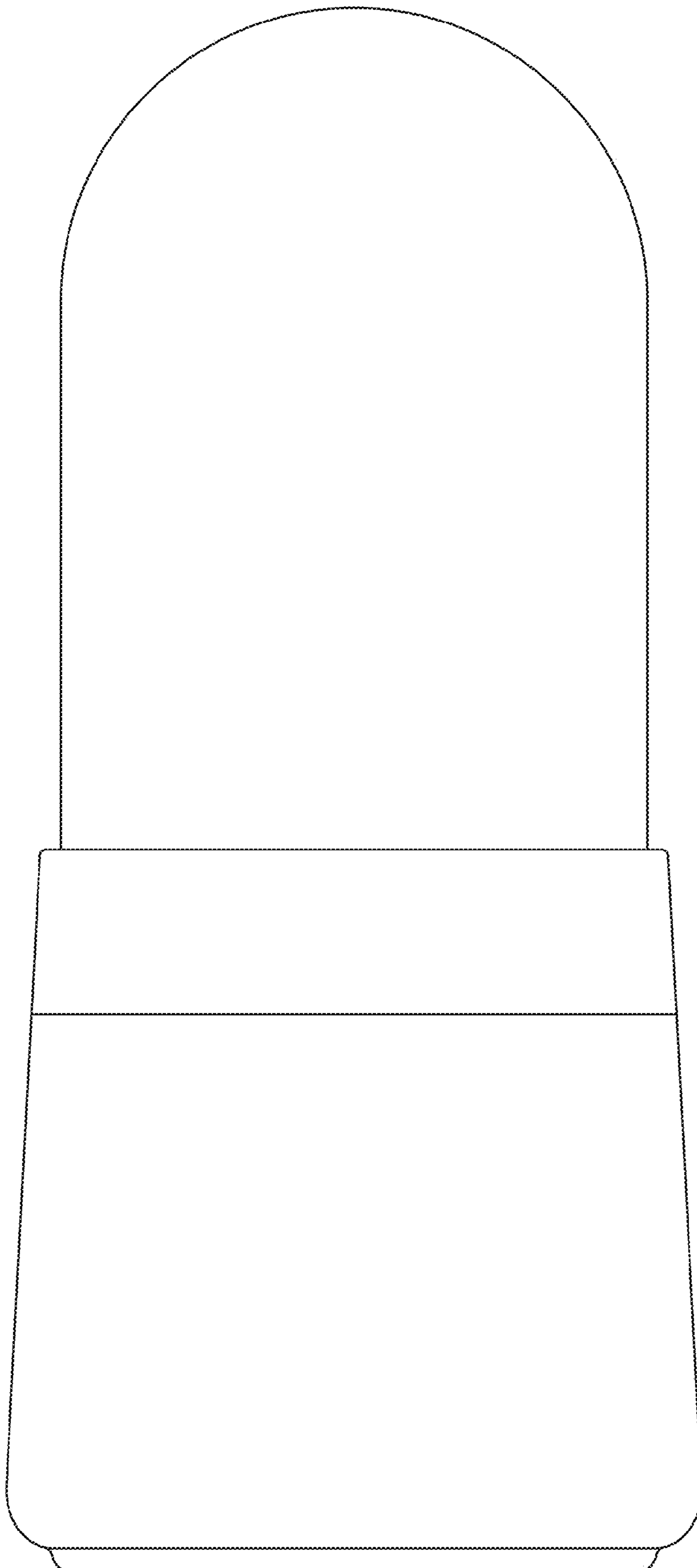


FIG. 3

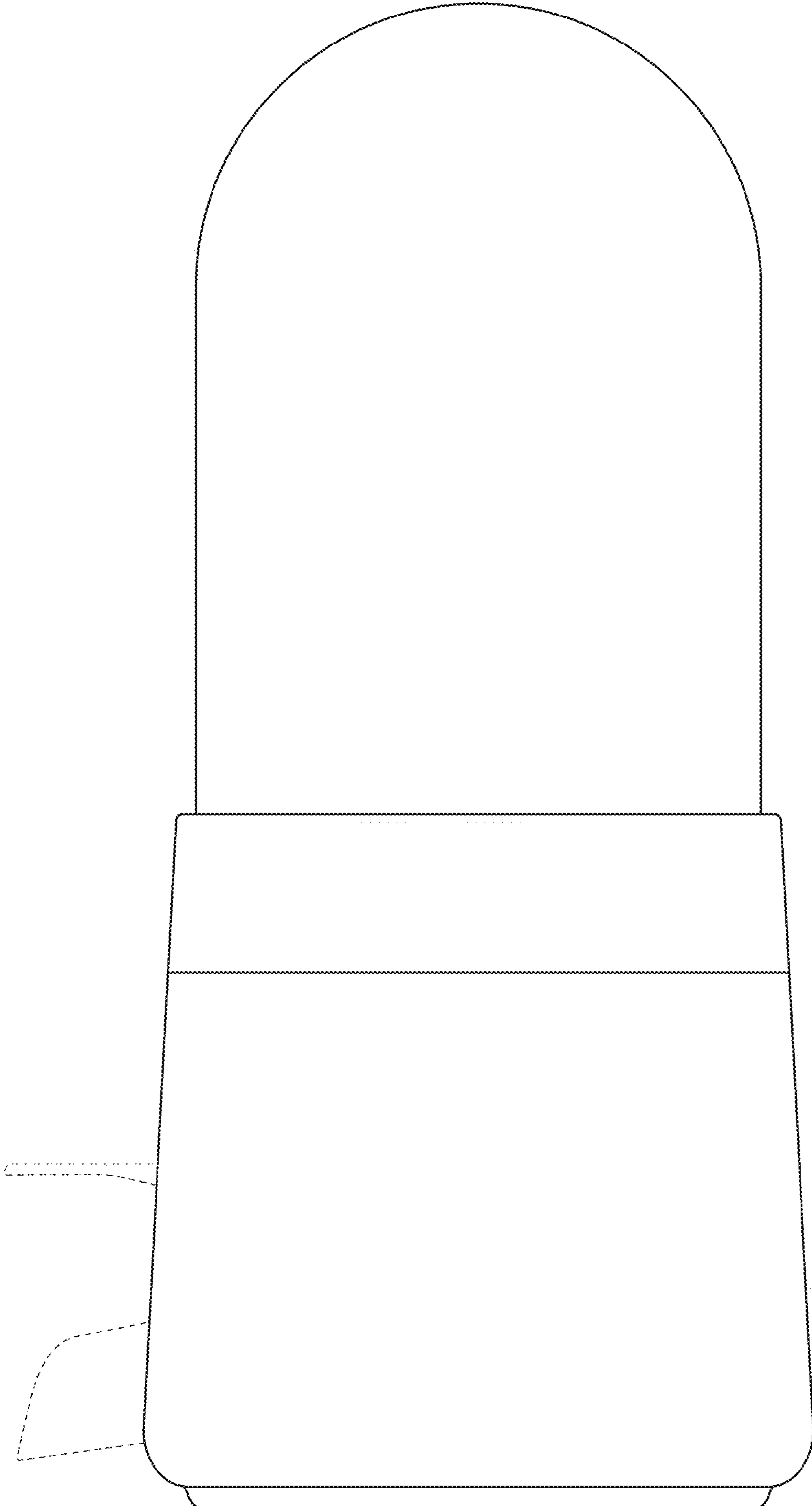


FIG. 4

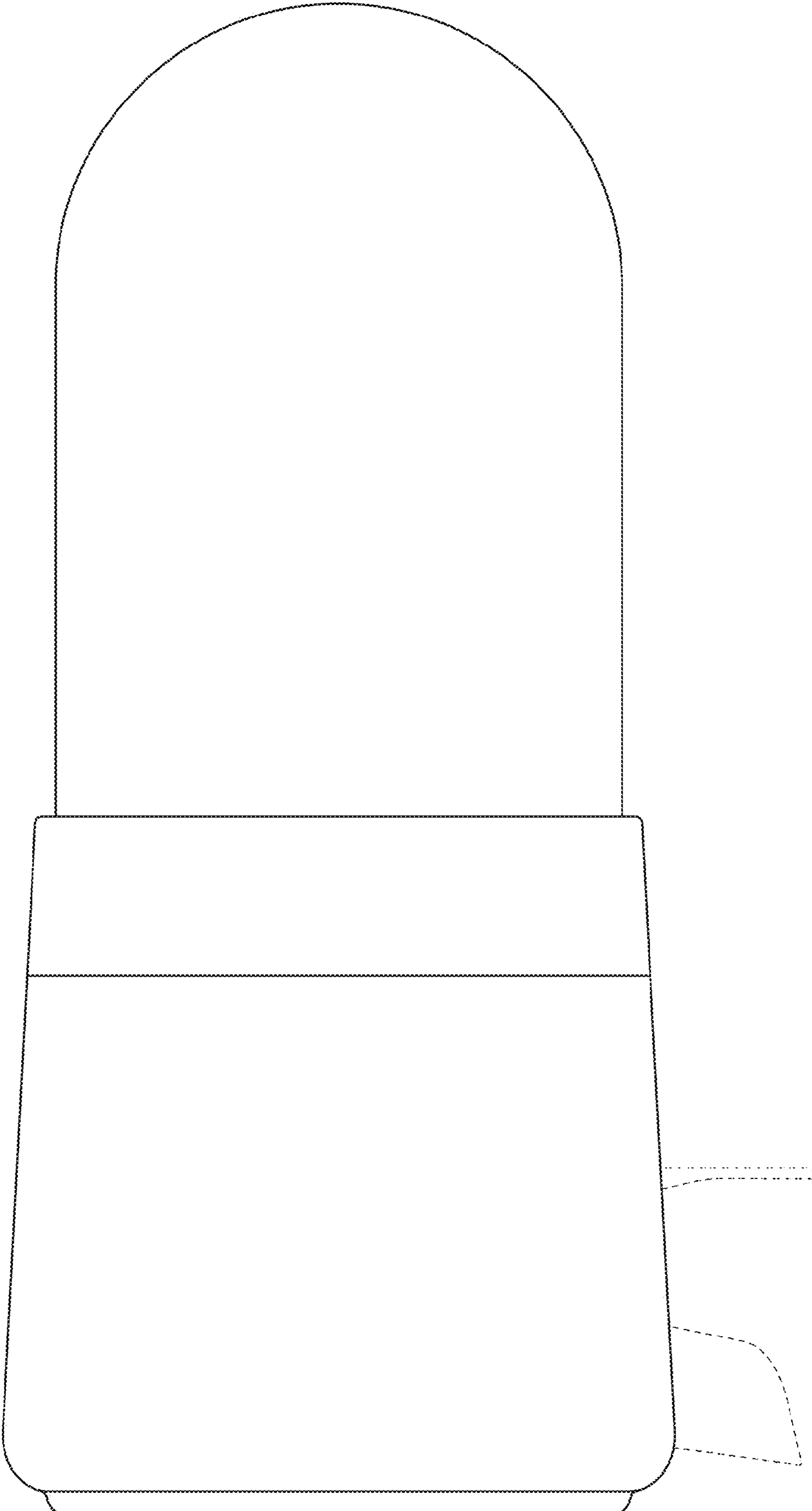


FIG. 5

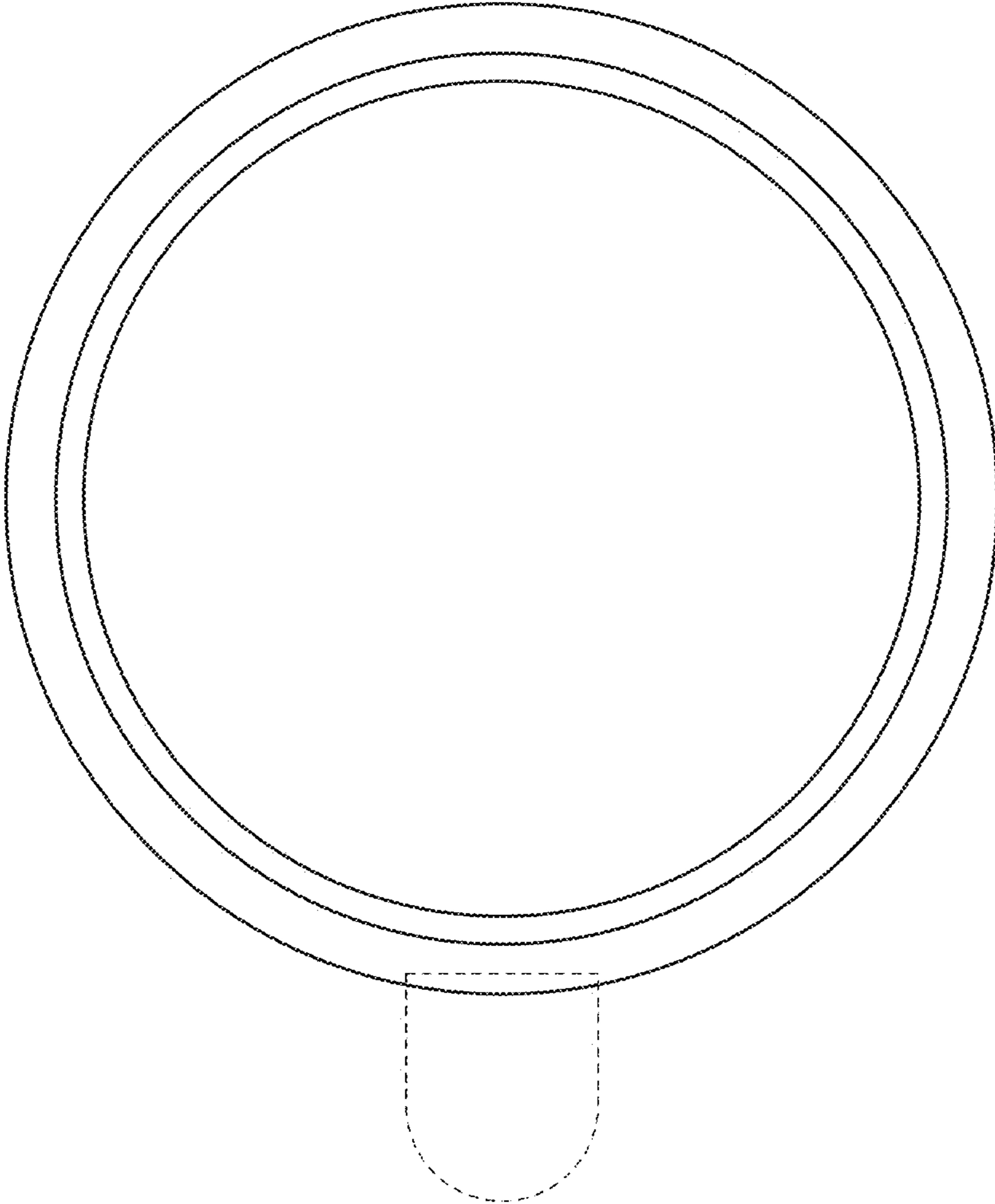


FIG. 6

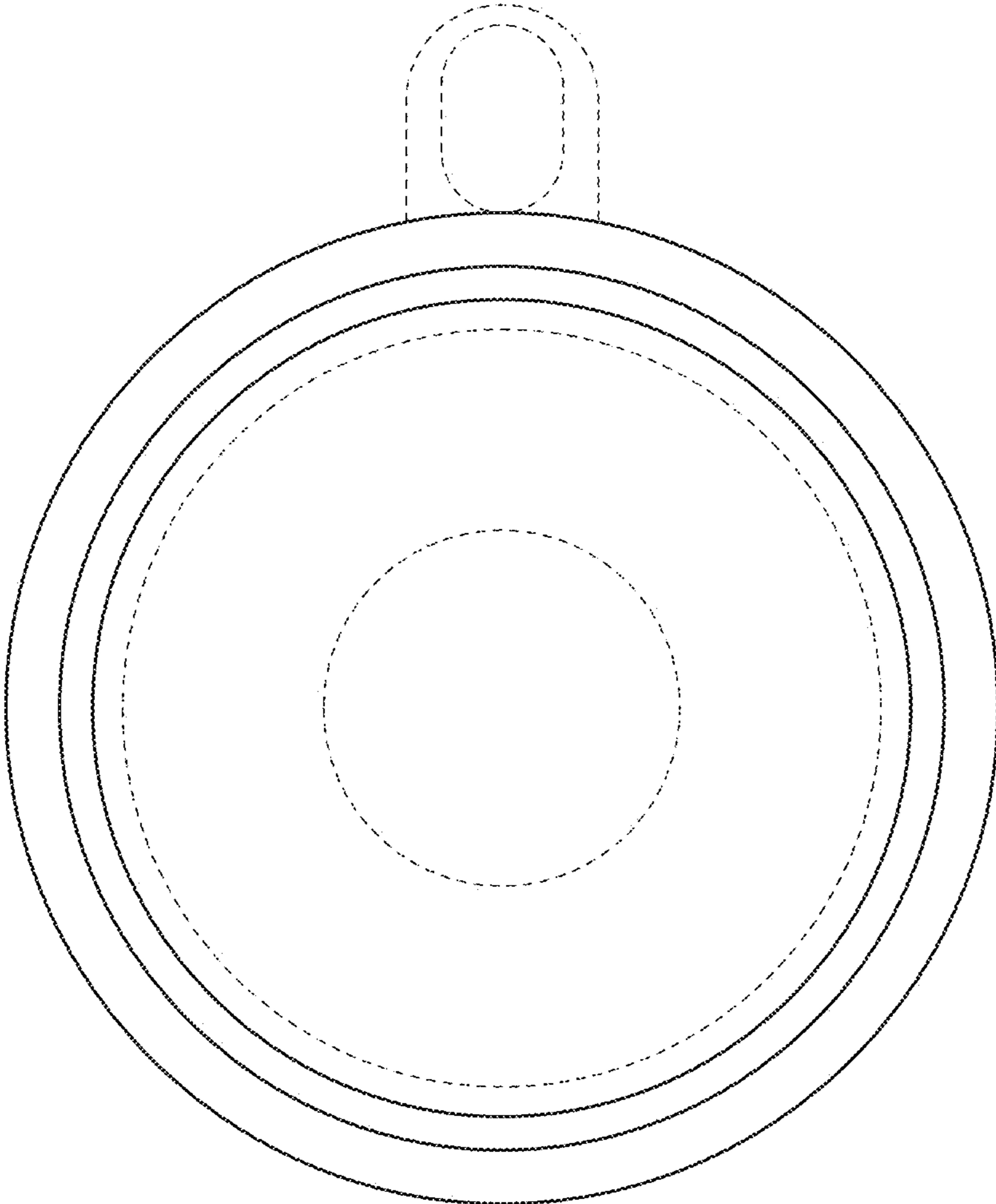


FIG. 7