



US00D970276S

(12) **United States Design Patent** (10) **Patent No.:** **US D970,276 S**
Li (45) **Date of Patent:** **** Nov. 22, 2022**

(54) **OFFICE CHAIR**
(71) Applicant: **Guangzhou Gesui Trading Co., Ltd.**,
Guangzhou (CN)
(72) Inventor: **Junqin Li**, Guangzhou (CN)
(**) Term: **15 Years**
(21) Appl. No.: **29/865,094**

D676,254 S * 2/2013 Chen D6/366
D683,571 S * 6/2013 Egger D6/716.2
D683,573 S * 6/2013 Egger D6/716.3
D697,330 S * 1/2014 Chen D6/366
D698,167 S * 1/2014 Wan D6/366
D707,479 S * 6/2014 Egger D6/716.2
D799,842 S 10/2017 Lee
D802,314 S * 11/2017 Barber D6/366
D809,313 S 2/2018 Mao
D831,991 S * 10/2018 Meda D6/366
D841,997 S * 3/2019 Chen D6/366

(Continued)

(22) Filed: **Jul. 7, 2022**
(51) **LOC (13) Cl.** **06-06**
(52) **U.S. Cl.**
USPC **D6/716**
(58) **Field of Classification Search**
USPC D6/334, 364, 365, 366, 367, 374, 380,
D6/708.16, 708.23, 716, 716.1, 716.2,
D6/716.4
CPC .. A47C 7/004; A47C 7/18; A47C 7/28; A47C
7/54; A47C 4/028; A47C 7/24; A47C
9/002; A47C 3/20
See application file for complete search history.

OTHER PUBLICATIONS

Ergonomic Mesh Chair by Meet & Co, first available: Unknown.
Meetco-furniture.com [online], [site visited Sep. 22, 2022], Internet
URL: <https://www.meetco-furniture.com/high-back-ergonomic-office-chairs-p00599p1.html> (Year: 2022).*

(Continued)

Primary Examiner — Steven J Czyz
Assistant Examiner — Hillary Catherine Shepard

(56) **References Cited**

U.S. PATENT DOCUMENTS

D349,621 S * 8/1994 Wilson D6/716.2
D538,074 S * 3/2007 Chen D6/366
D543,717 S * 6/2007 Chen D6/366
D548,994 S * 8/2007 Mao D6/366
D549,473 S * 8/2007 Wagner D6/366
D573,361 S * 7/2008 Kung D6/366
D576,416 S * 9/2008 Su D6/366
D610,822 S * 3/2010 Chen D6/366
D641,572 S * 7/2011 Tsai D6/716.4
D645,684 S * 9/2011 Chen D6/366
D652,223 S * 1/2012 Fujita D6/366
D655,522 S 3/2012 Czumaj-Bront
D659,417 S * 5/2012 Schmitz D6/366
D661,506 S * 6/2012 Ou D6/366
D661,916 S * 6/2012 Chen D6/366
D673,399 S * 1/2013 Gu D6/716.4

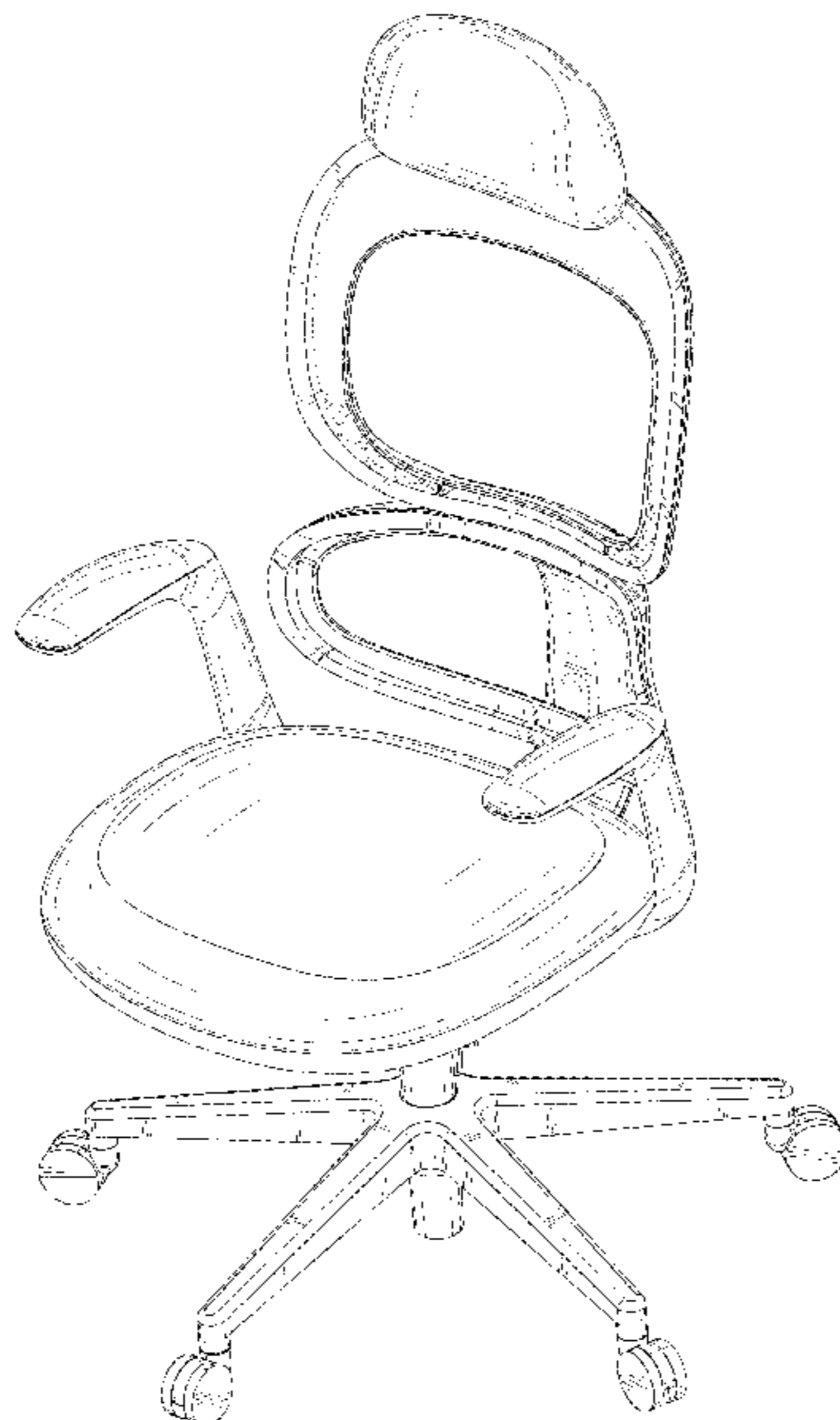
(57) **CLAIM**

The ornamental design for a office chair, as shown and described.

DESCRIPTION

FIG. 1 is a perspective view of a office chair showing the new design.
FIG. 2 is a front view thereof;
FIG. 3 is a back view thereof;
FIG. 4 is a left-side view thereof;
FIG. 5 is a right-side view thereof;
FIG. 6 is a top plan view thereof; and,
FIG. 7 is a bottom plan view thereof.
The broken lines depict portions of the article that form no part of the claimed design.

1 Claim, 7 Drawing Sheets



(56)

References Cited

U.S. PATENT DOCUMENTS

D848,169	S	*	5/2019	Wu	D6/366
D854,846	S		8/2019	Shen		
D856,696	S		8/2019	Shen		
D856,698	S		8/2019	Shen		
D878,785	S		3/2020	Qi		
D891,842	S	*	8/2020	Ludwig	D6/716.2
D904,058	S	*	12/2020	He	D6/366
D907,947	S	*	1/2021	Wang	D6/366
D917,947	S	*	5/2021	Tang	D6/366
D931,640	S	*	9/2021	Feng	D6/366
D935,822	S	*	11/2021	Wang	D6/716
D937,595	S	*	12/2021	Deevers	D6/366
D959,867	S	*	8/2022	Feng	D6/366
2012/0193962	A1	*	8/2012	Chen	A47C 7/402 297/353

OTHER PUBLICATIONS

<https://www.amazon.com/FelixKing-Ergonomic-Adjustable-Headrest-Reclining/dp/B09V7MBYC7>, from Amazon.com, printed on Jul. 5, 2022.

<https://www.amazon.com/AmazonBasics-Mid-Back-Office-Chair-Armrests/dp/B00IIFW2L4>, from Amazon.com, printed on Jul. 5, 2022.

<https://www.amazon.com/Ergonomic-Computer-Adjustable-Headrest-Function/dp/B09PFX9F5T>, from Amazon.com, printed on Jul. 5, 2022.

<https://www.amazon.com/Office-Chair-Ergonomic-Adjustable-Breathable/dp/B09ZQV23XJ>, from Amazon.com, printed on Jul. 5, 2022.

* cited by examiner

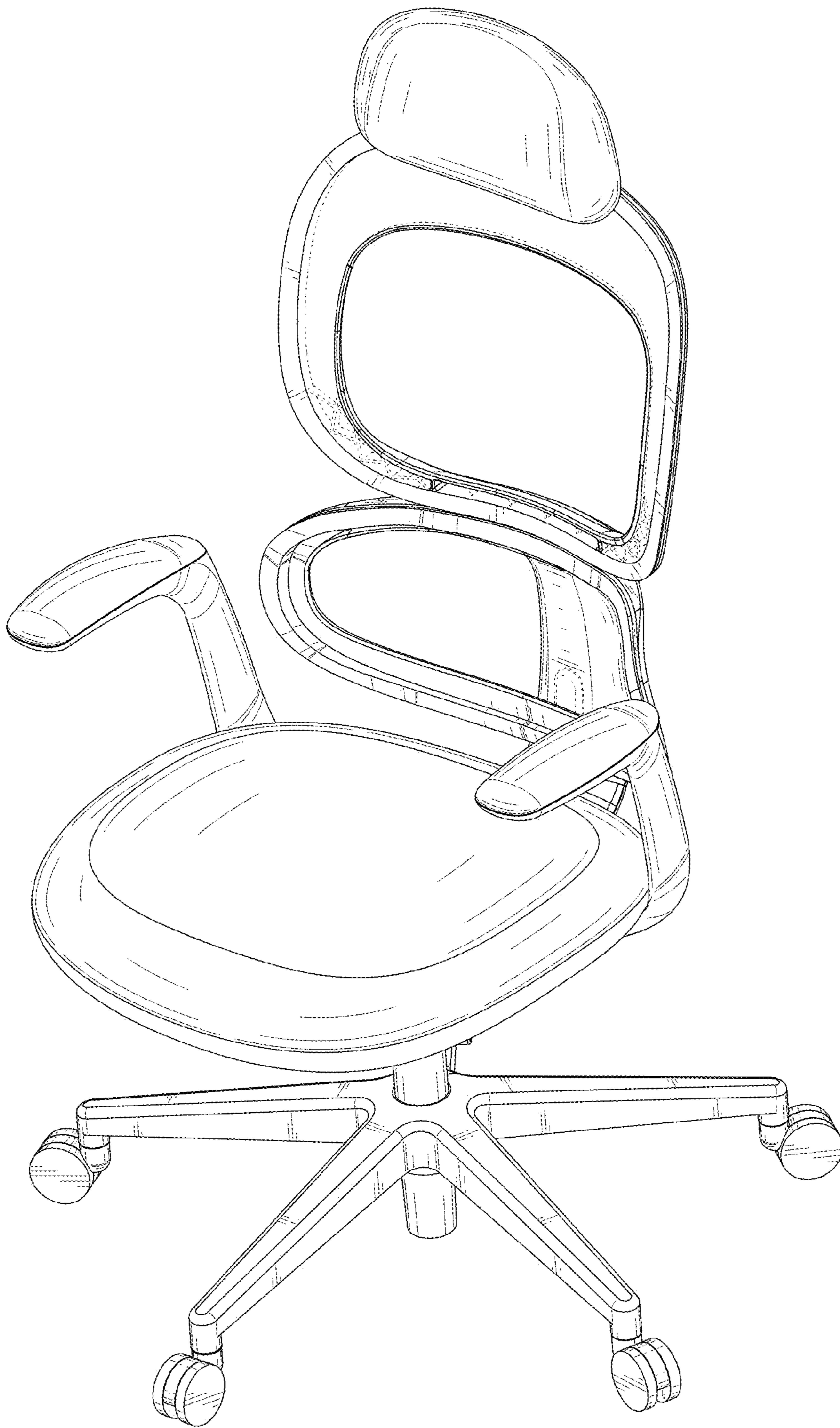


FIG. 1

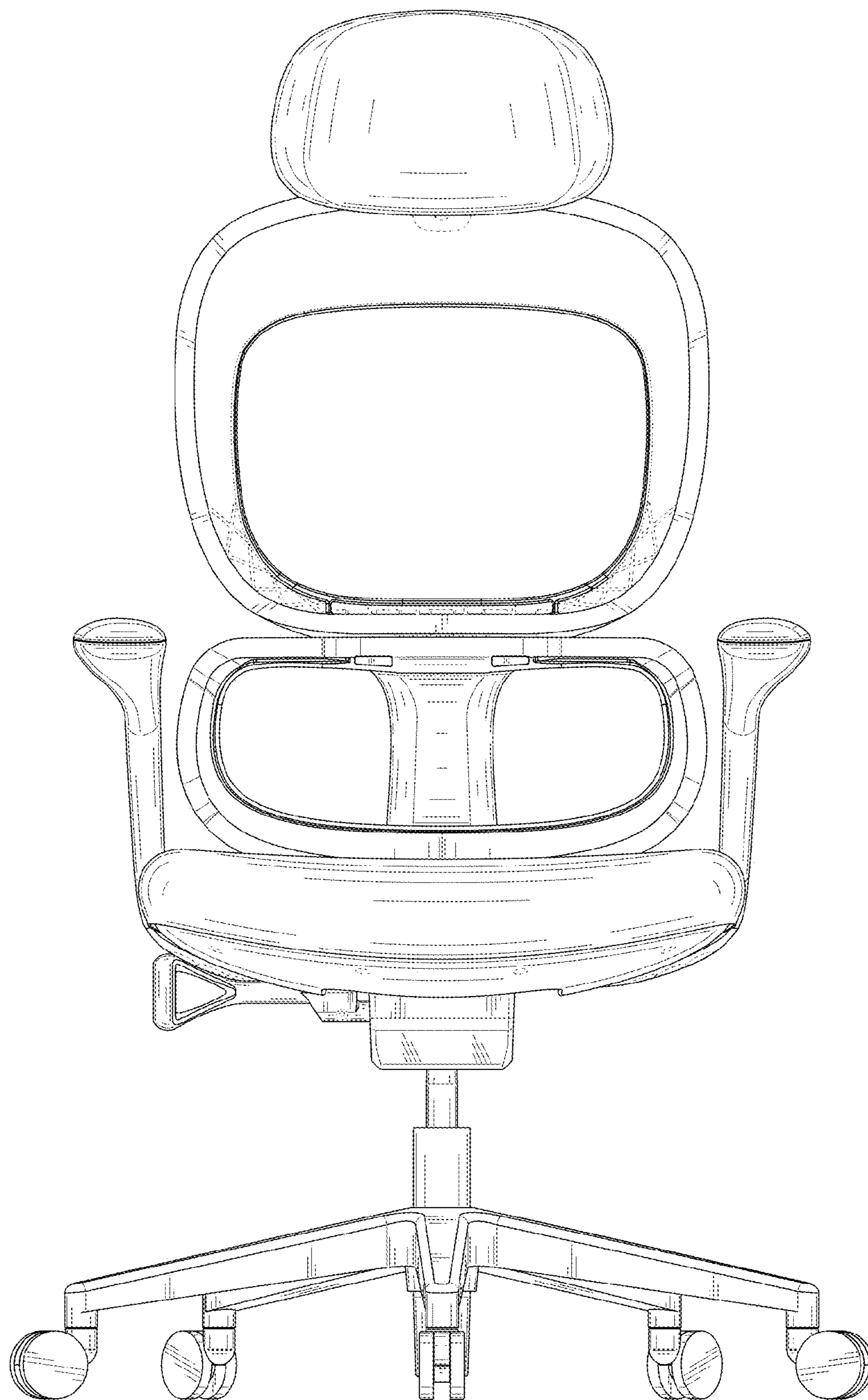


FIG. 2

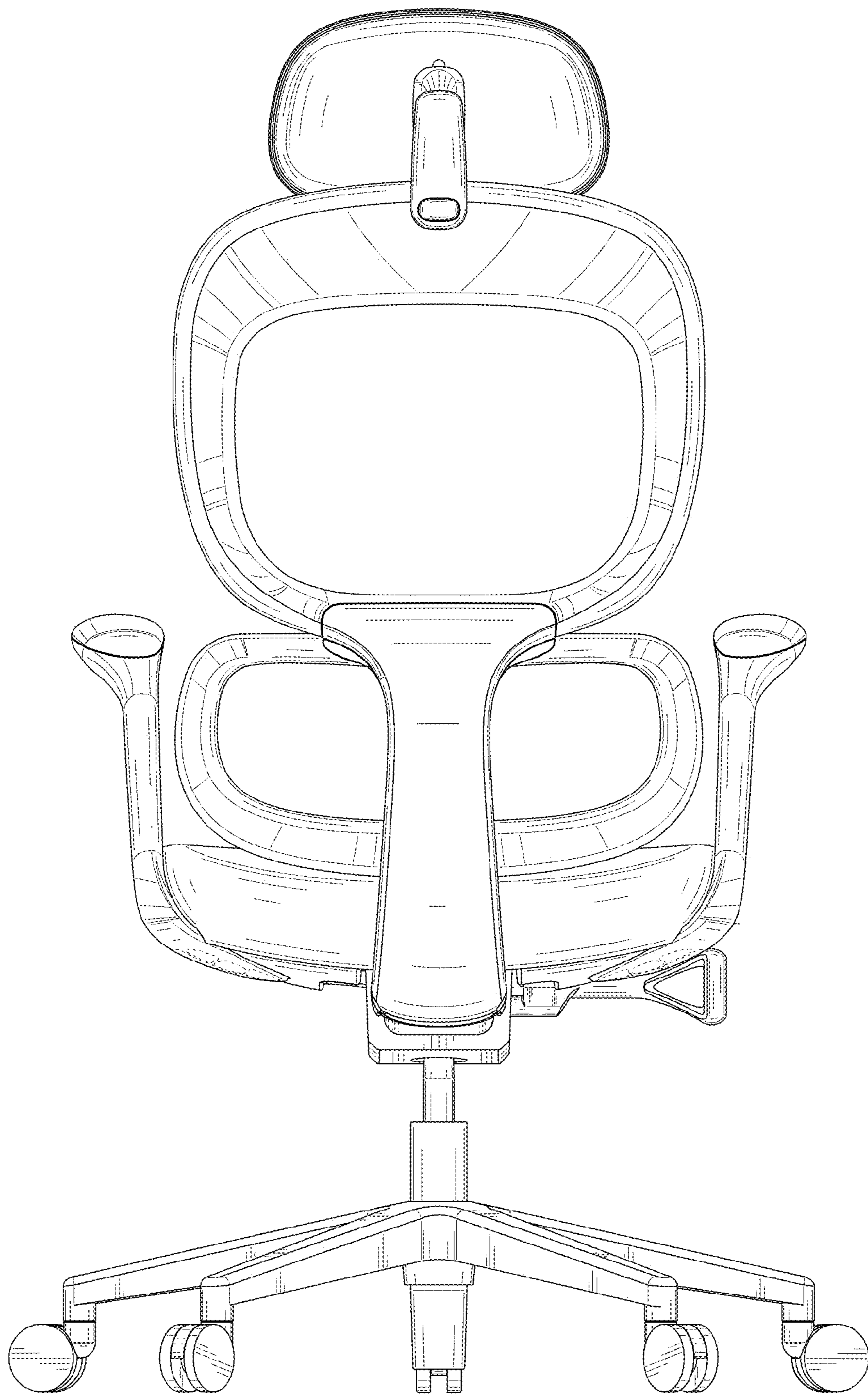


FIG. 3

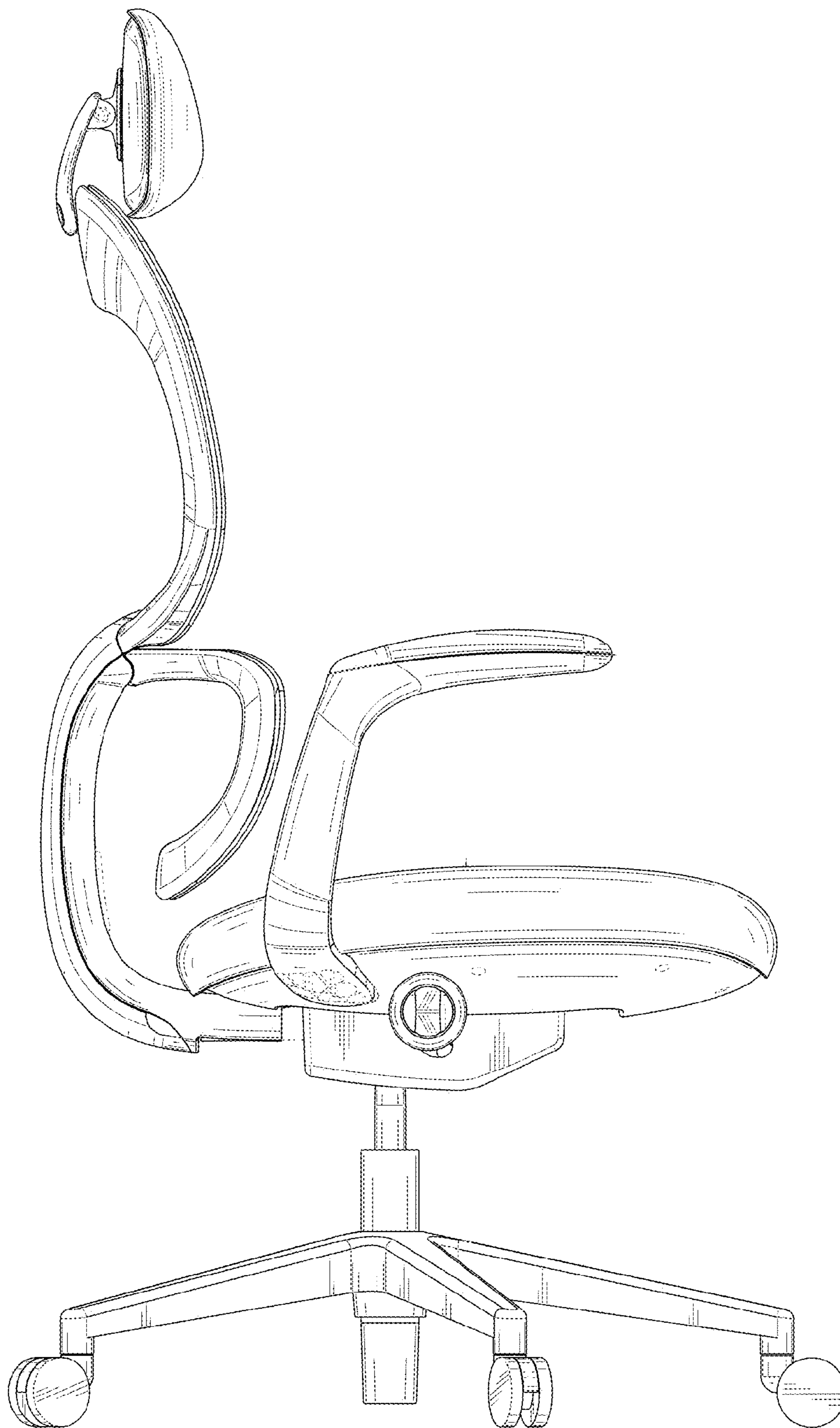


FIG. 4



FIG. 5

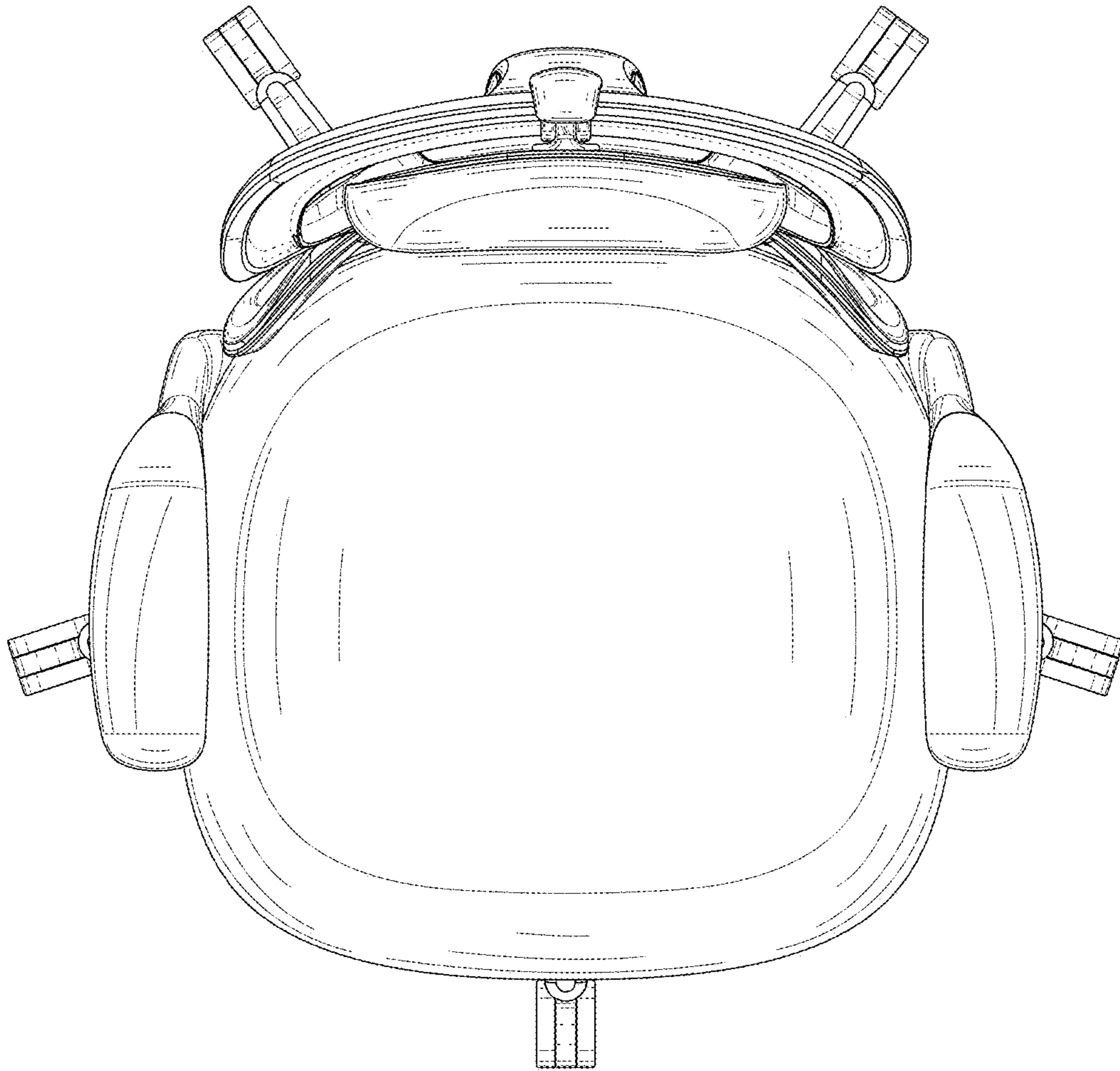


FIG. 6

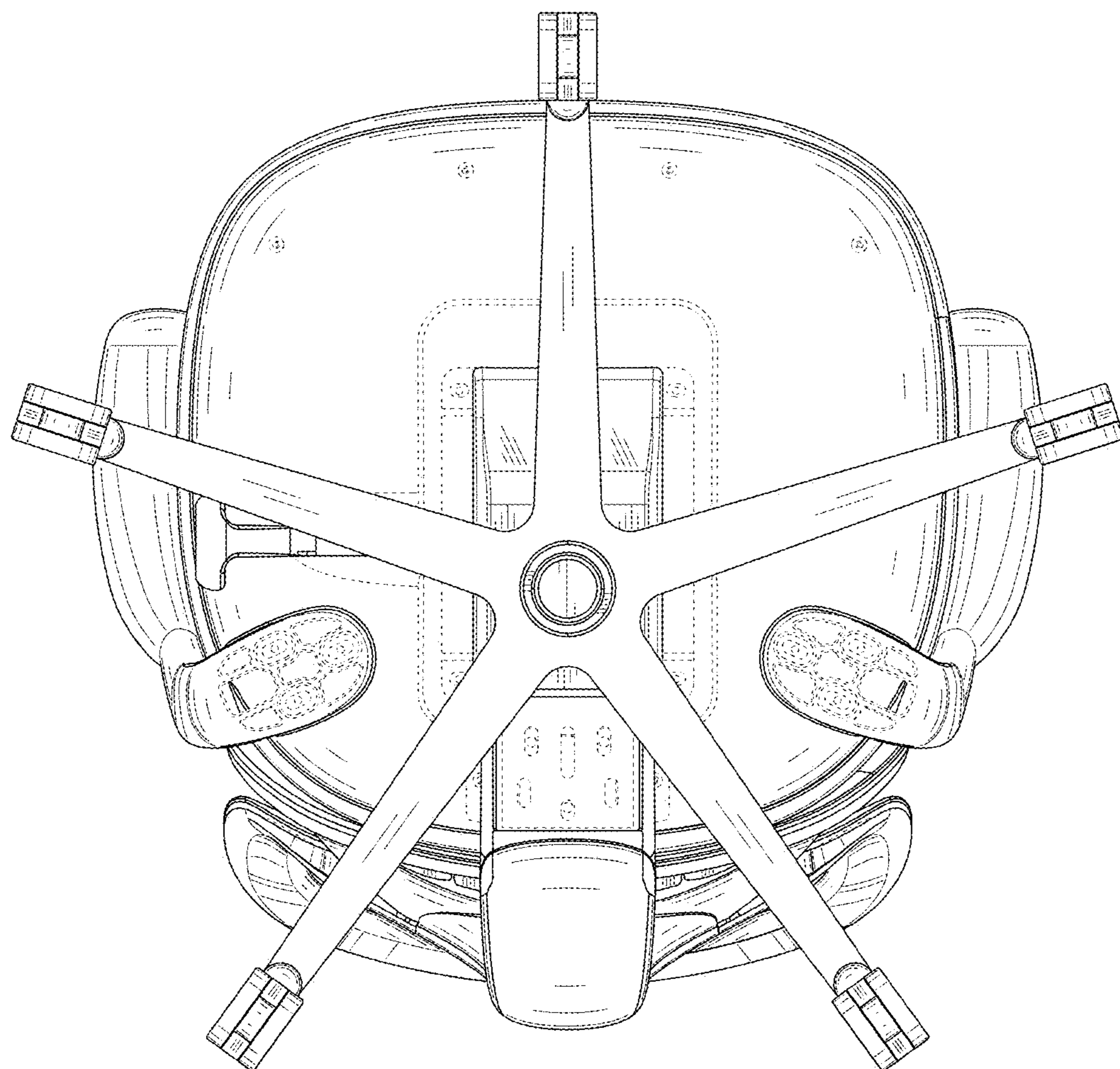


FIG. 7