



US00D970275S

(12) **United States Design Patent** (10) **Patent No.:** **US D970,275 S**
Yang (45) **Date of Patent:** **** Nov. 22, 2022**

(54) **REMOVABLE UNIVERSAL WHEEL BASE FOR FURNITURE AND APPLIANCES**

(71) Applicant: **Yifan Yang**, Zhejiang (CN)

(72) Inventor: **Yifan Yang**, Zhejiang (CN)

(**) Term: **15 Years**

(21) Appl. No.: **29/844,428**

(22) Filed: **Jun. 29, 2022**

(51) **LOC (13) Cl.** **06-06**

(52) **U.S. Cl.**
USPC **D6/708**

(58) **Field of Classification Search**
USPC D6/449, 480, 485, 495, 503, 382-384, D6/397, 491, 555, 511, 477-479, 509, D6/708, 708.2, 708.23, 691.4, 708.21, D6/708.24, 716.7, 716.8; D25/65; 108/51.3, 57.16, 57.17, 57.18, 57.21; 248/188, 188.1, 188.2, 188.4, 346.01, 248/346.03, 346.06; 312/242, 140, 265.5, 312/265.6, 194, 195; 5/200.1, 236.1; D13/101-107, 154
CPC A45B 17/00; A45B 23/00; A45B 3/00; E04H 12/2238; A47F 5/00; A63B 63/08; A47B 13/04; A47B 2013/024; A47B 2013/003; A47B 2013/026; A47B 2013/027

See application file for complete search history.

(56) **References Cited**

U.S. PATENT DOCUMENTS

| | | | | |
|--------------|---------|----------------|-------|-----------|
| D656,760 S * | 4/2012 | Fox | | D6/406.1 |
| D783,330 S | 4/2017 | Hiyoshi et al. | | |
| D807,671 S | 1/2018 | Caillouet | | |
| D845,049 S * | 4/2019 | Yeh | | D6/708.16 |
| D901,224 S | 11/2020 | Yoo et al. | | |
| D958,518 S * | 7/2022 | Ballendat | | D3/10 |

* cited by examiner

Primary Examiner — Abraham Bahta

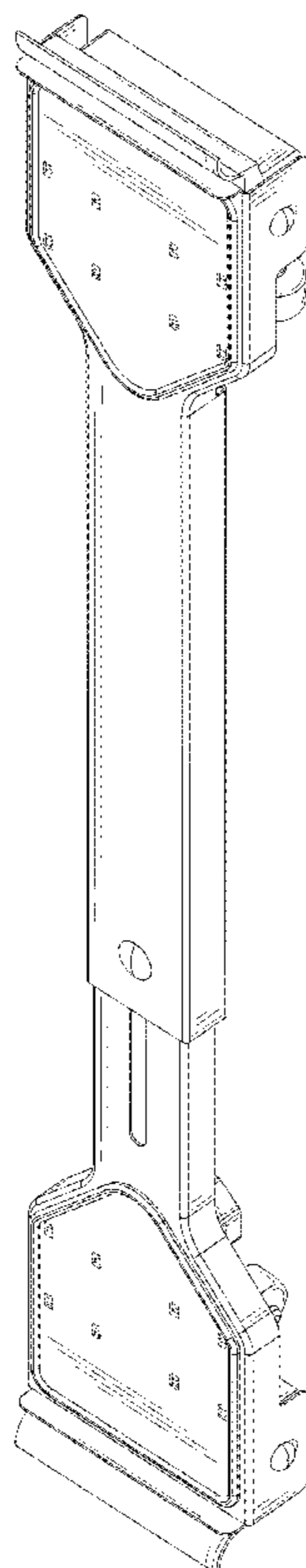
(57) **CLAIM**

The ornamental design for a removable universal wheel base for furniture and appliances, as shown and described.

DESCRIPTION

FIG. 1 is a perspective view of a removable universal wheel base for furniture and appliances showing my new design; FIG. 2 is a front elevational view thereof; FIG. 3 is a rear elevational view thereof; FIG. 4 is a left side elevational view thereof; FIG. 5 is a right side elevational view thereof; FIG. 6 is a top plan view thereof; FIG. 7 is a bottom plan view thereof; and, FIG. 8 is another perspective view thereof. The broken lines throughout the drawing figures depict portions of the removable universal wheel base for furniture and appliances that form no part of the claimed design.

1 Claim, 8 Drawing Sheets



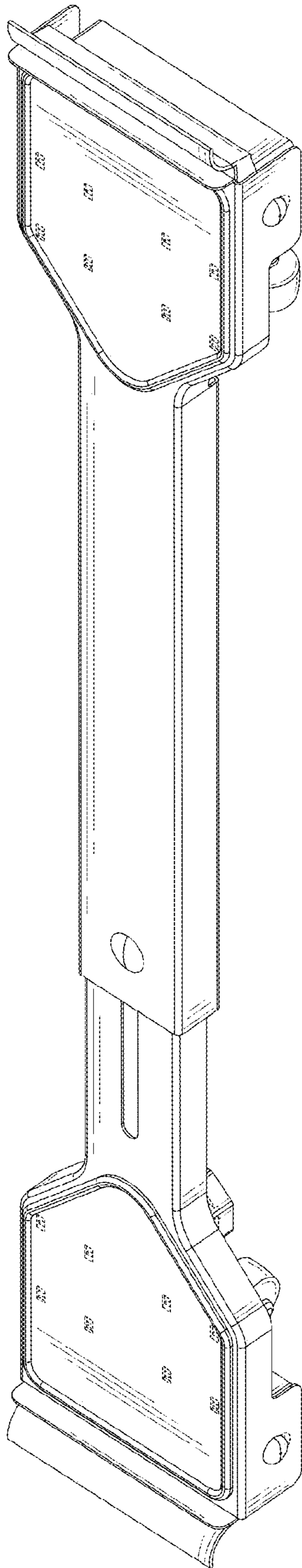


FIG. 1

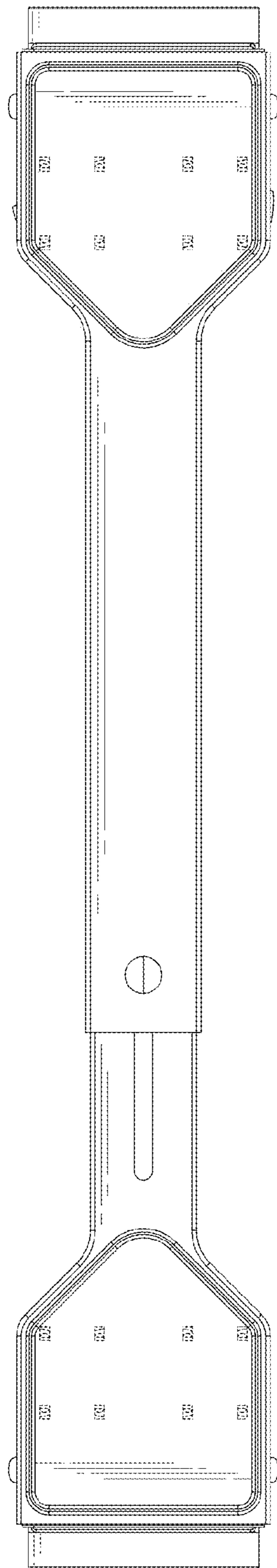


FIG.2

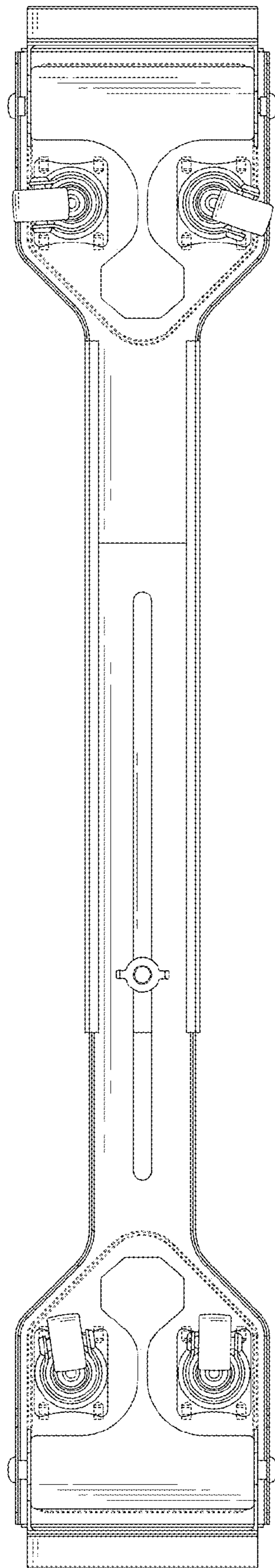


FIG.3

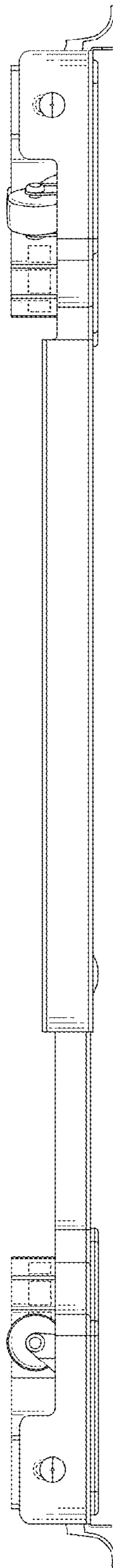


FIG.4

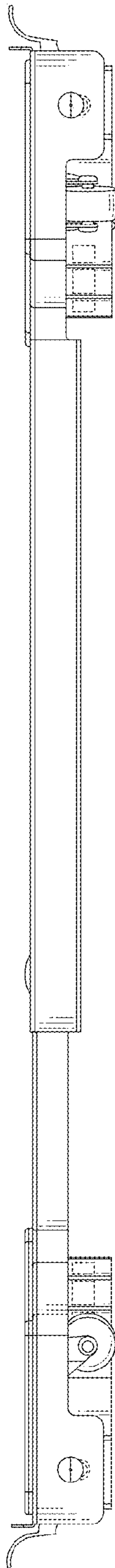


FIG.5

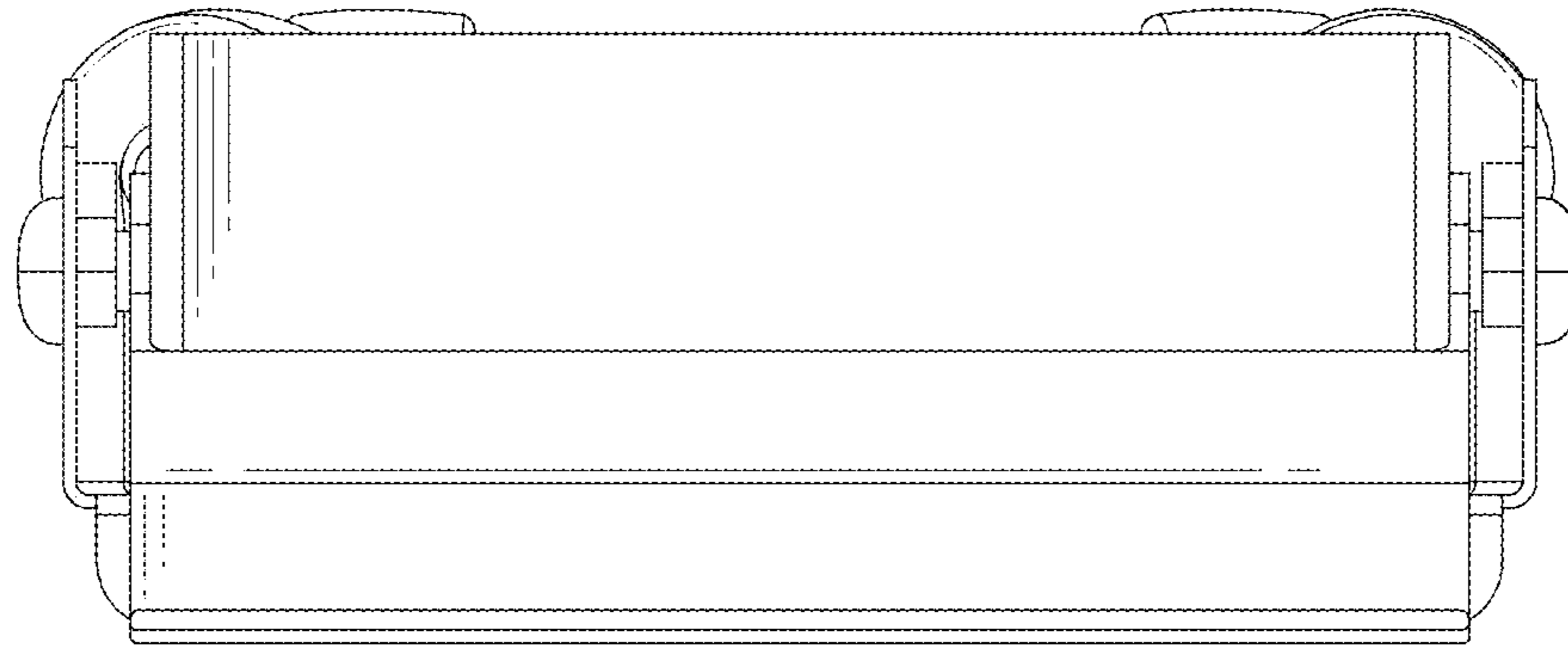


FIG.6

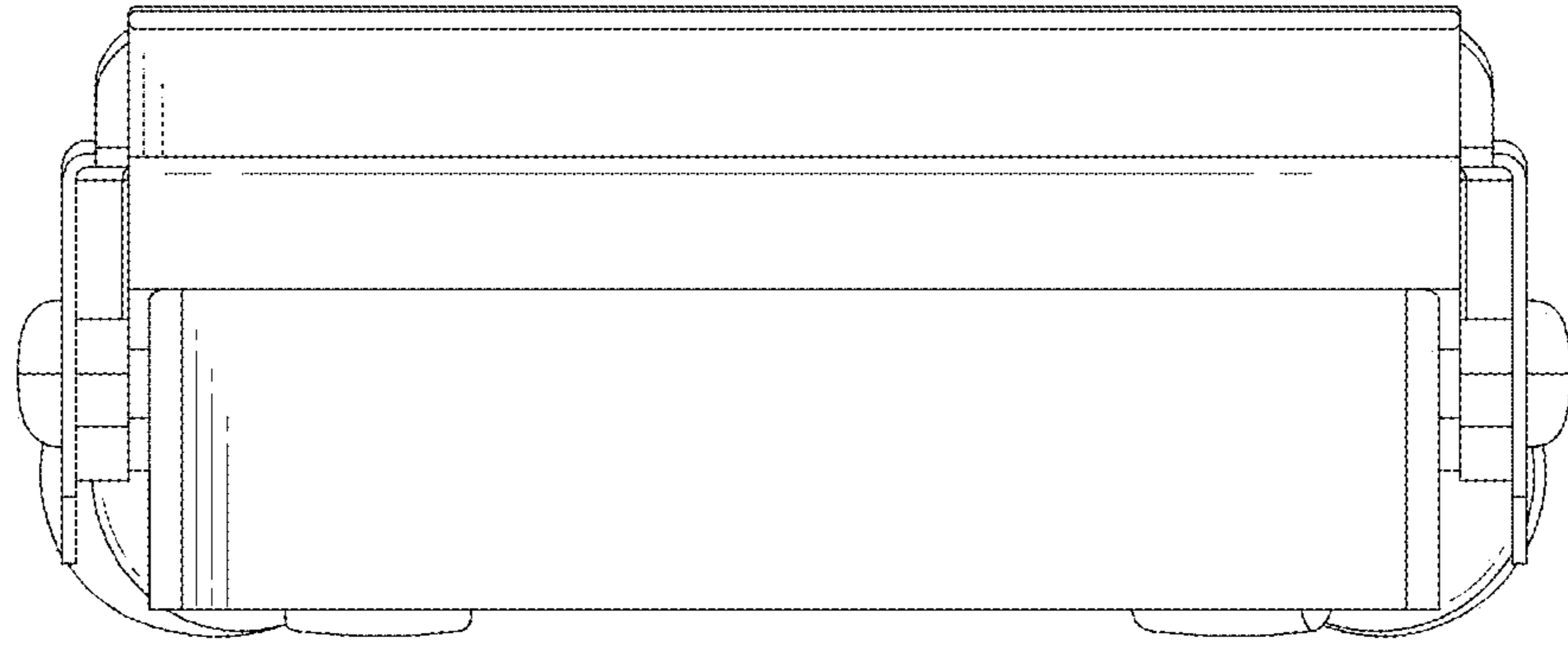


FIG.7

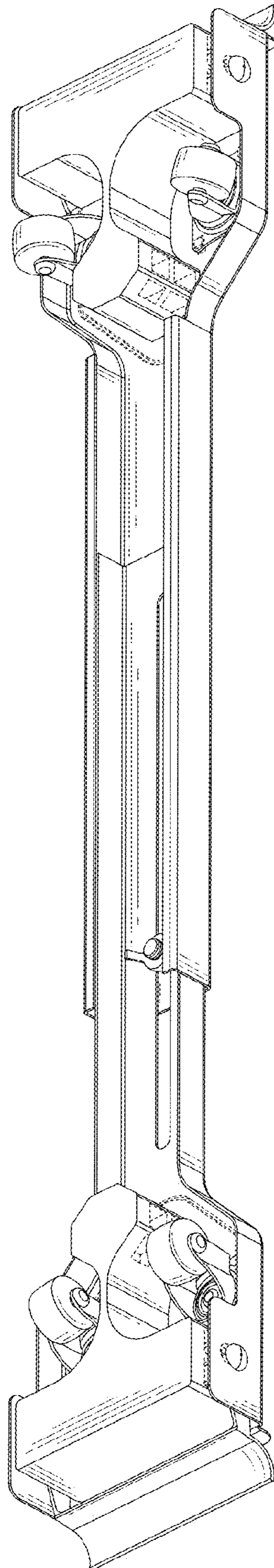


FIG. 8