



US00D970274S

(12) **United States Design Patent** (10) **Patent No.:** **US D970,274 S**  
**Hu** (45) **Date of Patent:** **\*\* Nov. 22, 2022**

(54) **SHELF**  
(71) Applicant: **Yajun Hu**, El Dorado Hills, CA (US)  
(72) Inventor: **Yajun Hu**, El Dorado Hills, CA (US)  
(73) Assignees: **Yajun Hu**, Moreau, CT (US);  
**EUREKA LLC**, EL Dorado Hills, CA (US)  
(\*\*) Term: **15 Years**  
(21) Appl. No.: **29/745,742**  
(22) Filed: **Aug. 7, 2020**  
(51) **LOC (13) Cl.** ..... **06-06**  
(52) **U.S. Cl.**  
USPC ..... **D6/705**  
(58) **Field of Classification Search**  
USPC ..... D6/329, 643, 643.1, 644, 654, 702, 705,  
D6/705.1, 706  
CPC ..... A47B 2200/12  
See application file for complete search history.

D694,557 S \* 12/2013 Rodgers ..... D6/675  
D817,676 S \* 5/2018 Herring ..... D6/705  
D848,759 S \* 5/2019 Kim ..... D6/553  
D881,617 S \* 4/2020 Schwarzmans ..... D6/705  
D884,400 S \* 5/2020 Chen ..... D6/705  
D947,578 S \* 4/2022 Hu ..... D6/654.21

**OTHER PUBLICATIONS**

WALI Monitor Stand Riser—Amazon <https://www.amazon.com/Computer-Notebook-Underneath-STT001-WALI/dp/B07KWF4SVN/> retrieved from the internet on Sep. 27, 2022.\*  
StarTech.com Monitor Riser Stand—Amazon <https://www.amazon.com/StarTech-com-Monitor-Riser-Stand-Clamp/dp/B0829QQD7W> retrieved from the internet on Sep. 27, 2022.\*

\* cited by examiner

*Primary Examiner* — Mary Ann Calabrese

(57) **CLAIM**

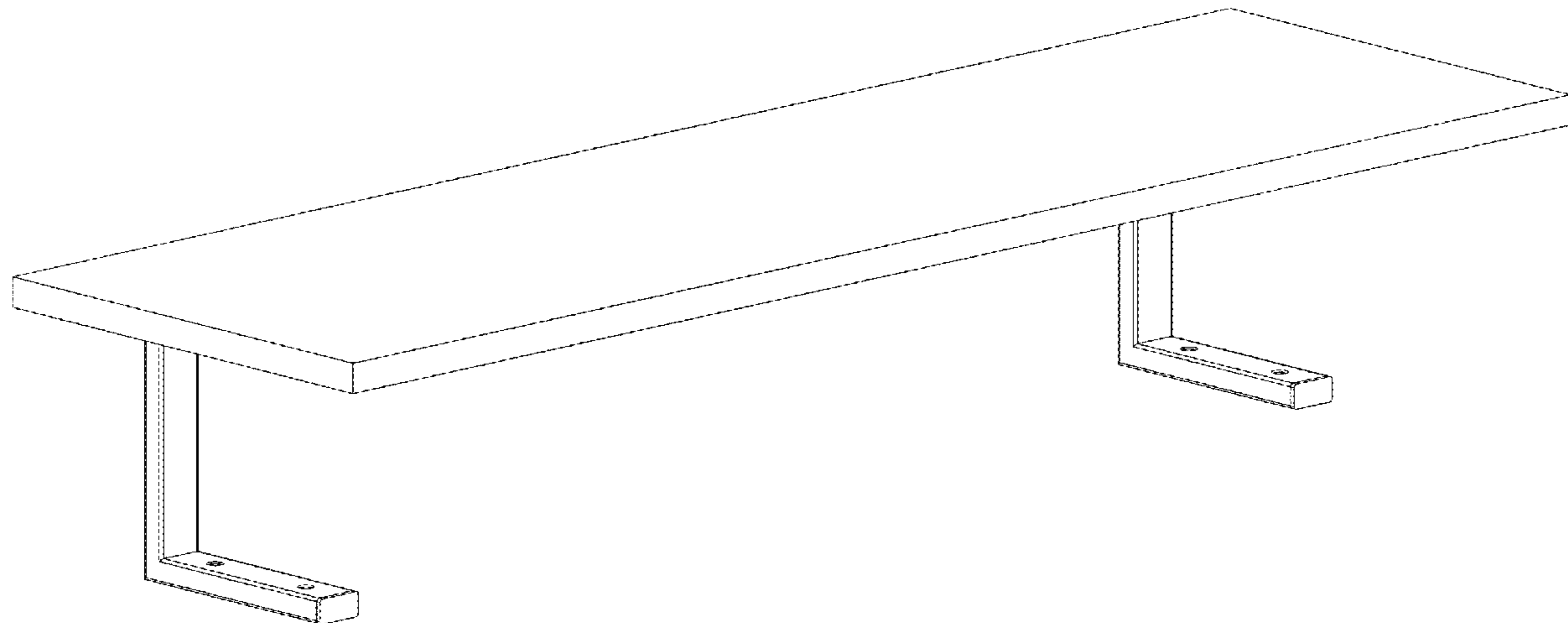
I claim the ornamental design for a shelf, as shown and described.

**DESCRIPTION**

FIG. 1 is a front perspective view of a shelf of Embodiment One, showing my new design;  
FIG. 2 is a bottom perspective view thereof;  
FIG. 3 is a front view thereof;  
FIG. 4 is a bottom view thereof;  
FIG. 5 is a top view thereof;  
FIG. 6 is a rear side view thereof;  
FIG. 7 is a left side view thereof;  
FIG. 8 is a front perspective view of a shelf of Embodiment Two;  
FIG. 9 is a bottom perspective view thereof;  
FIG. 10 is a bottom view thereof; and,  
FIG. 11 is a top view thereof.

**1 Claim, 11 Drawing Sheets**

(56) **References Cited**  
U.S. PATENT DOCUMENTS  
D245,783 S 9/1977 Finei  
D301,590 S 6/1989 Foran et al.  
5,271,551 A 12/1993 Roepke  
D354,516 S 1/1995 Crist et al.  
D383,283 S 9/1997 Hankins, III  
D424,117 S 5/2000 Steinbeck et al.  
D433,711 S 11/2000 Andujar  
D472,735 S 4/2003 Haugen  
D476,840 S \* 7/2003 Hoernig ..... D6/574  
D523,245 S 6/2006 Post  
D551,425 S 9/2007 Norvell  
D579,660 S 11/2008 Snider



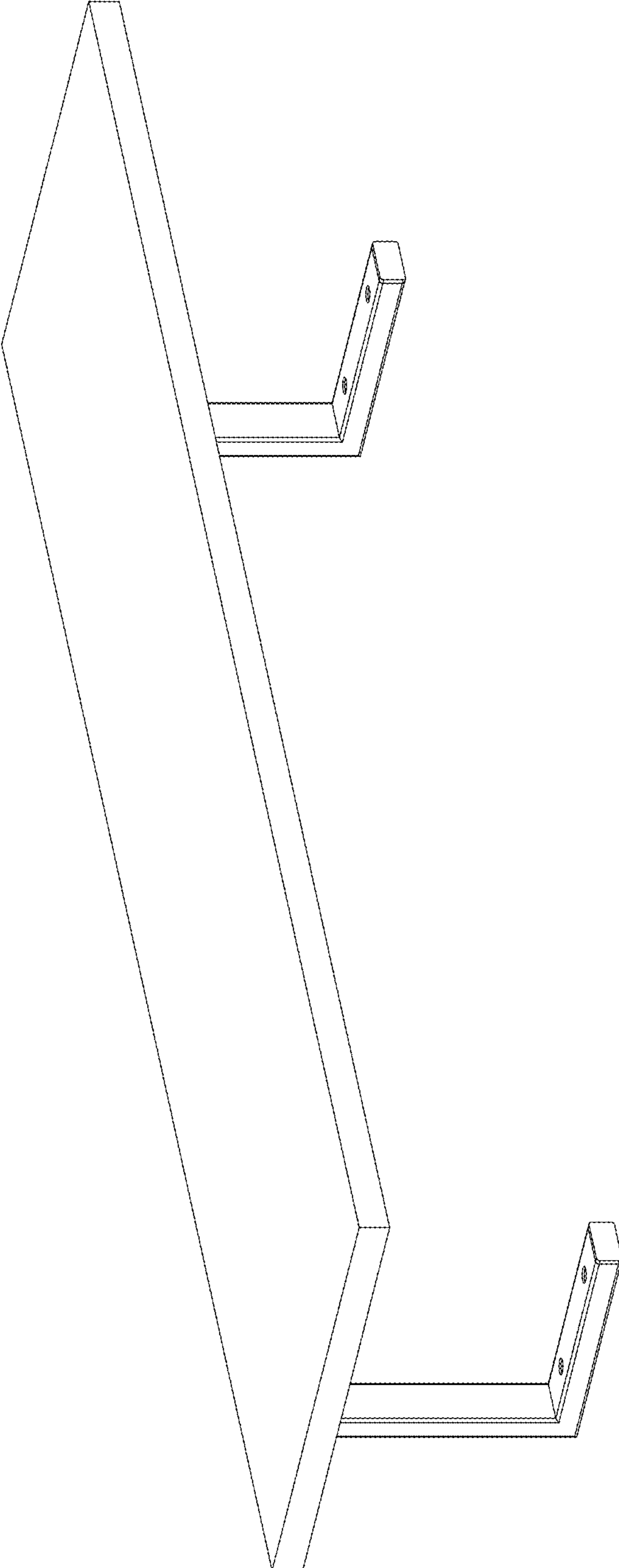


FIG.1

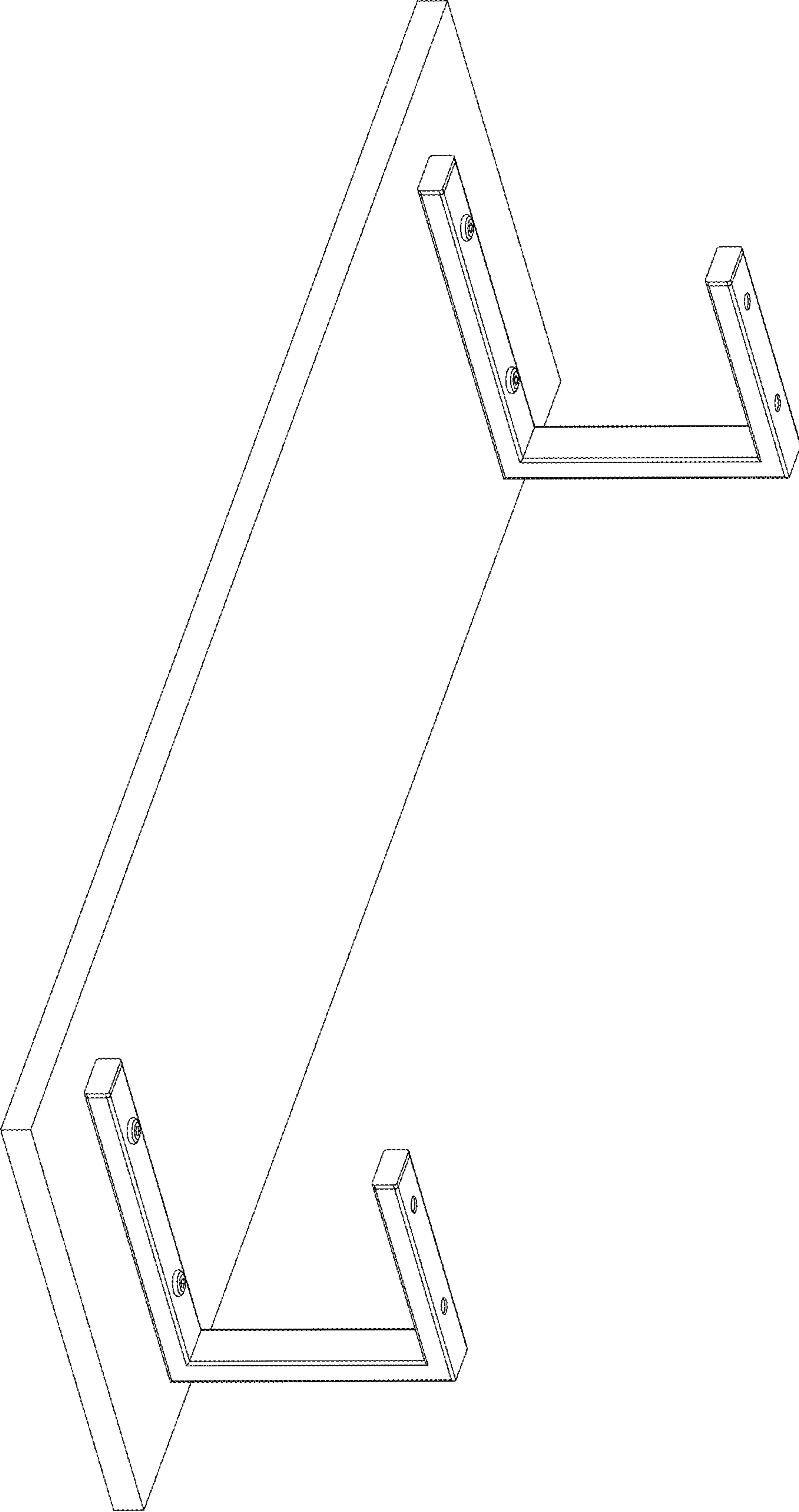


FIG.2

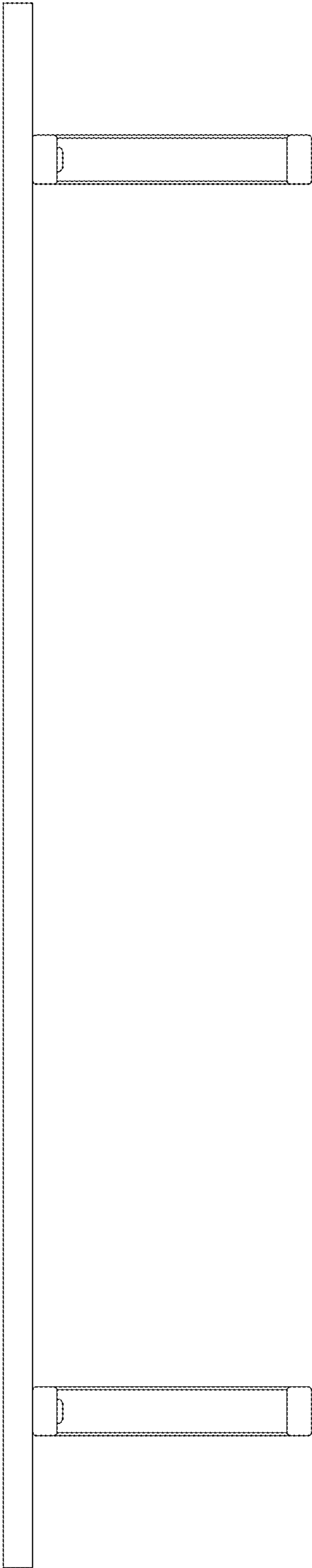


FIG.3

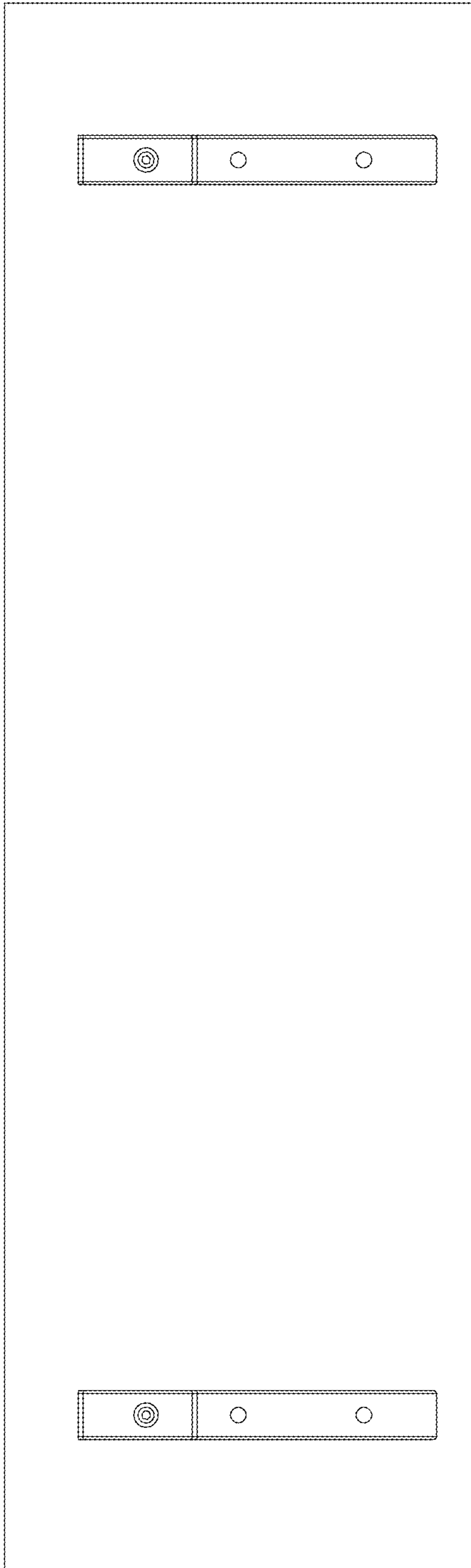


FIG. 4

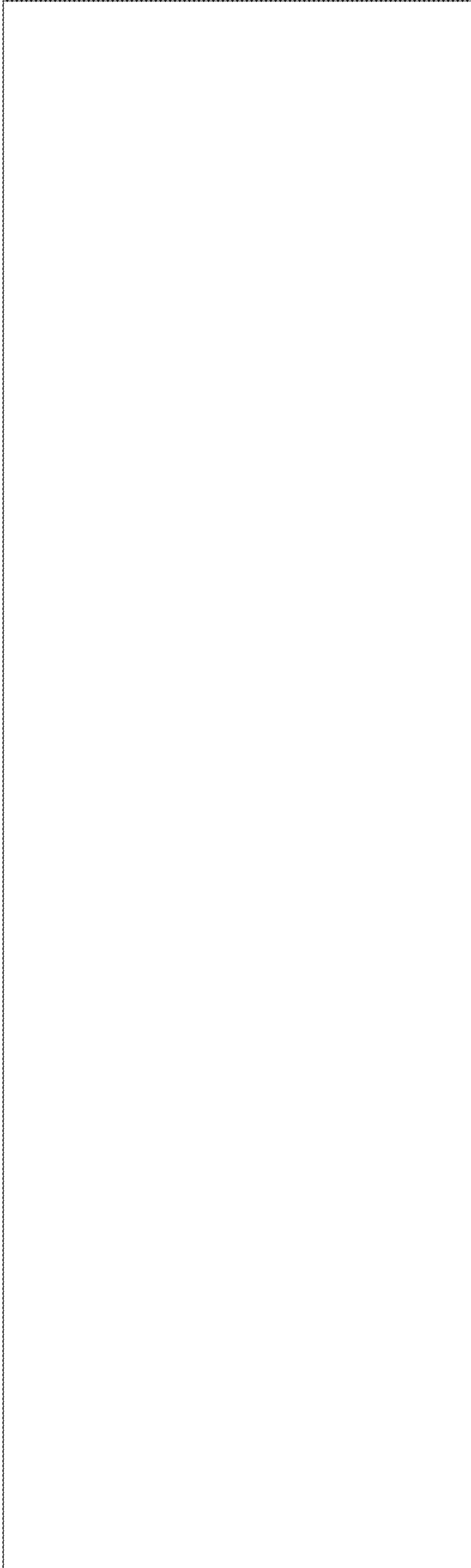


FIG. 5

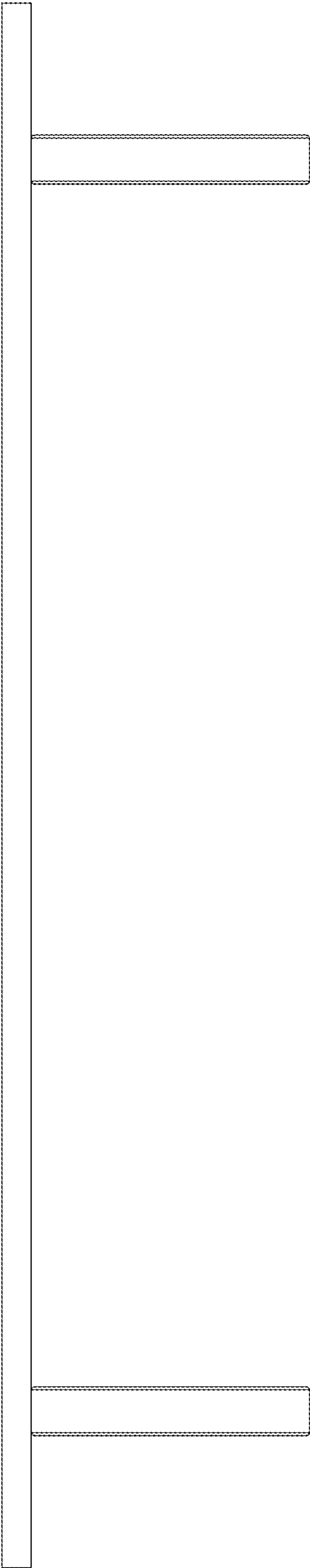


FIG.6

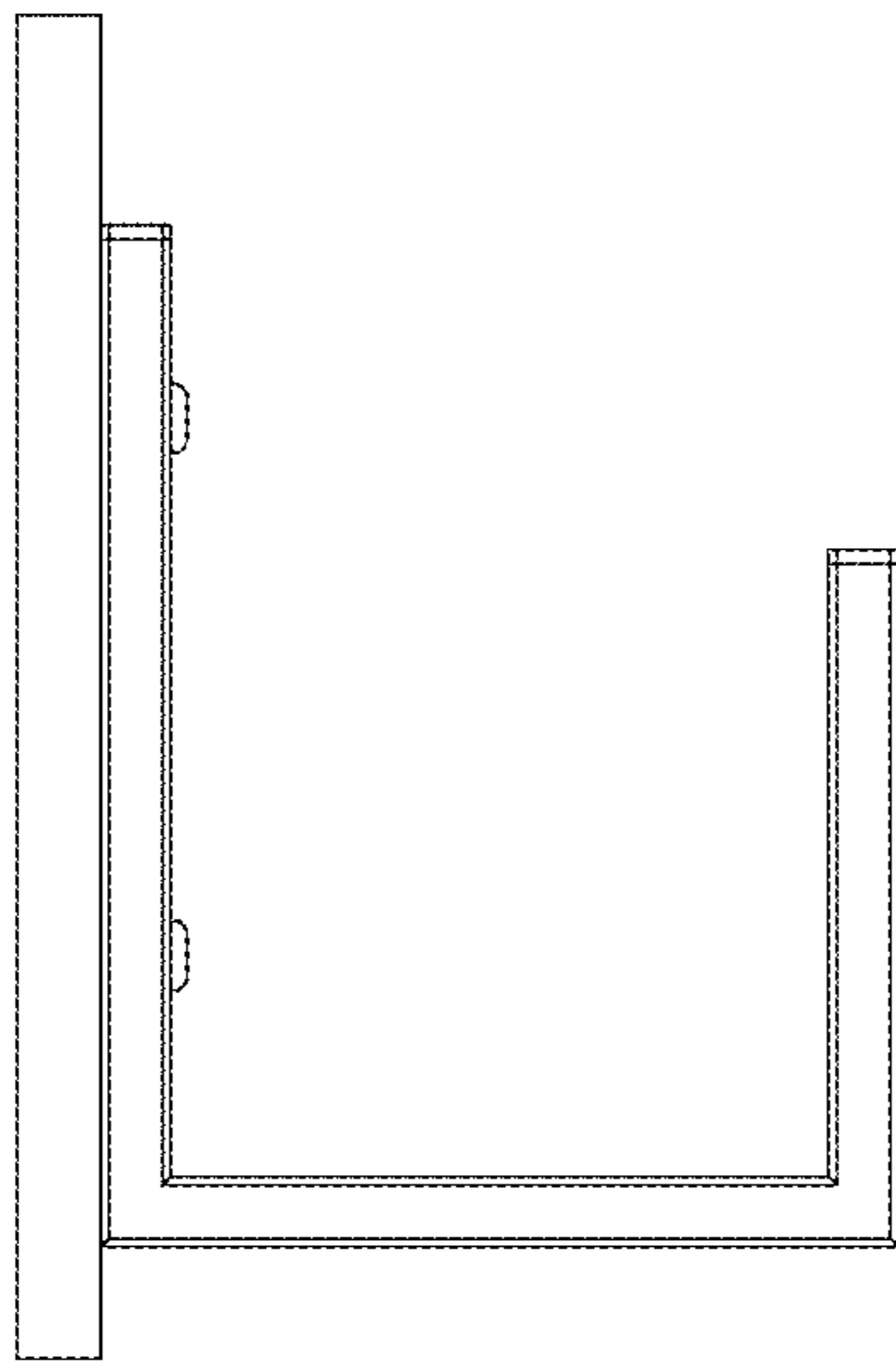


FIG.7



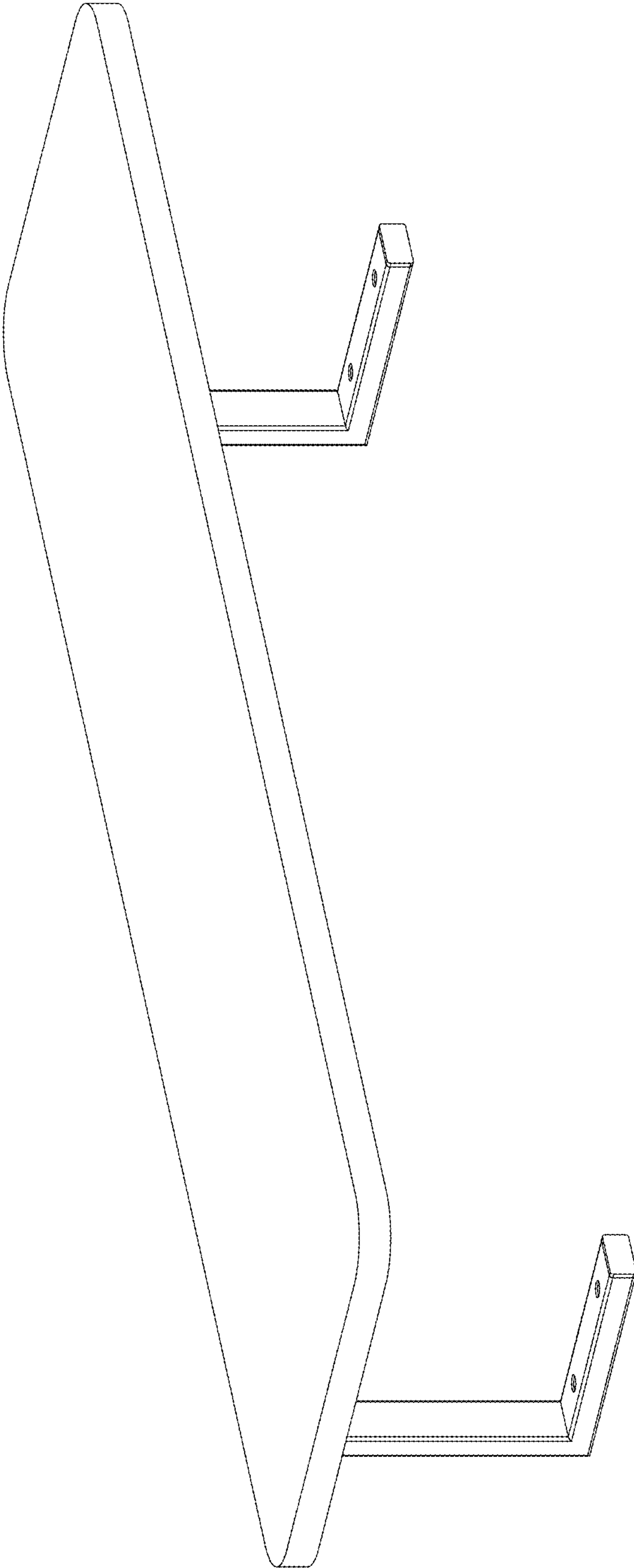


FIG.8

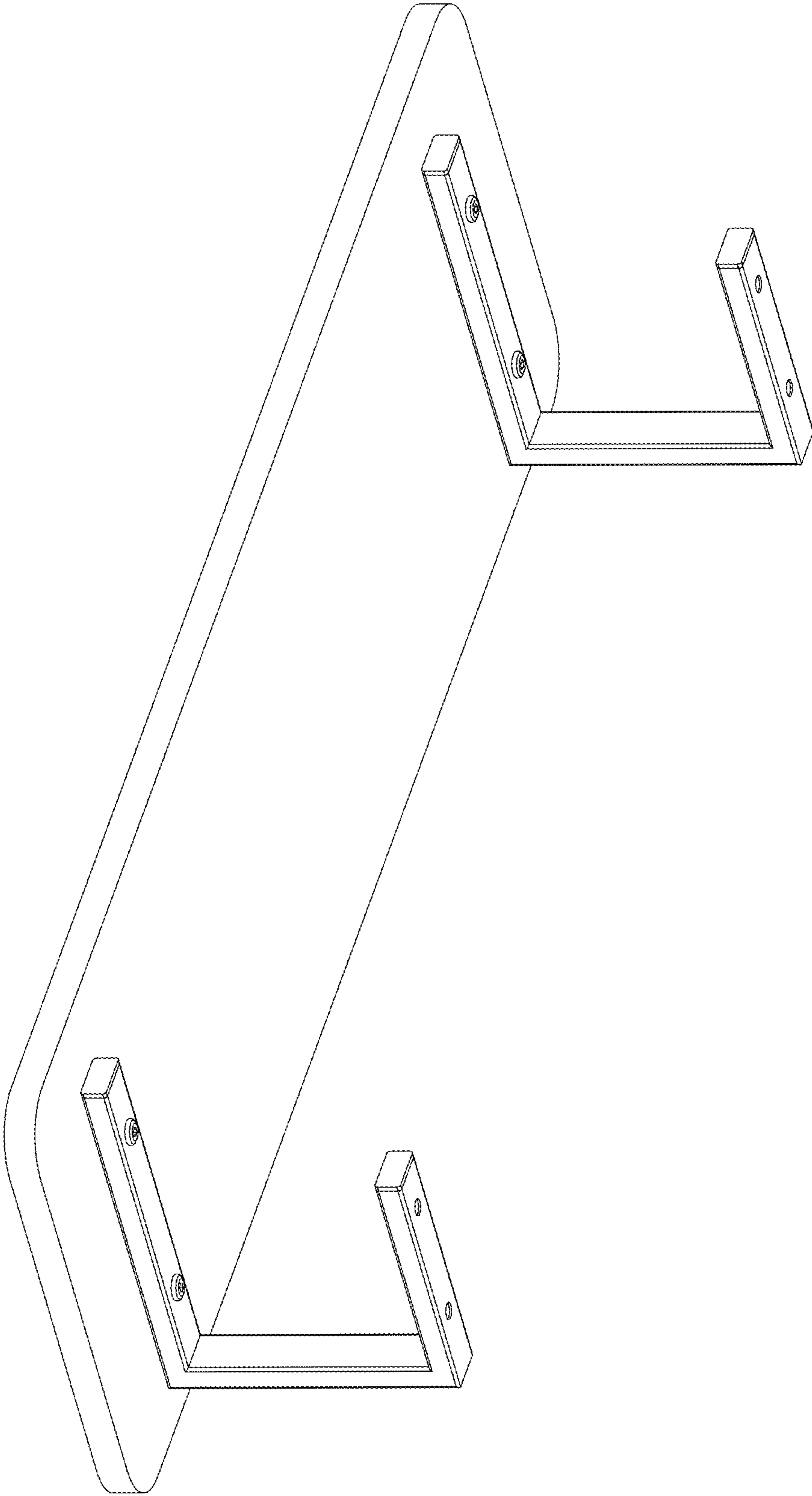


FIG.9



FIG. 10

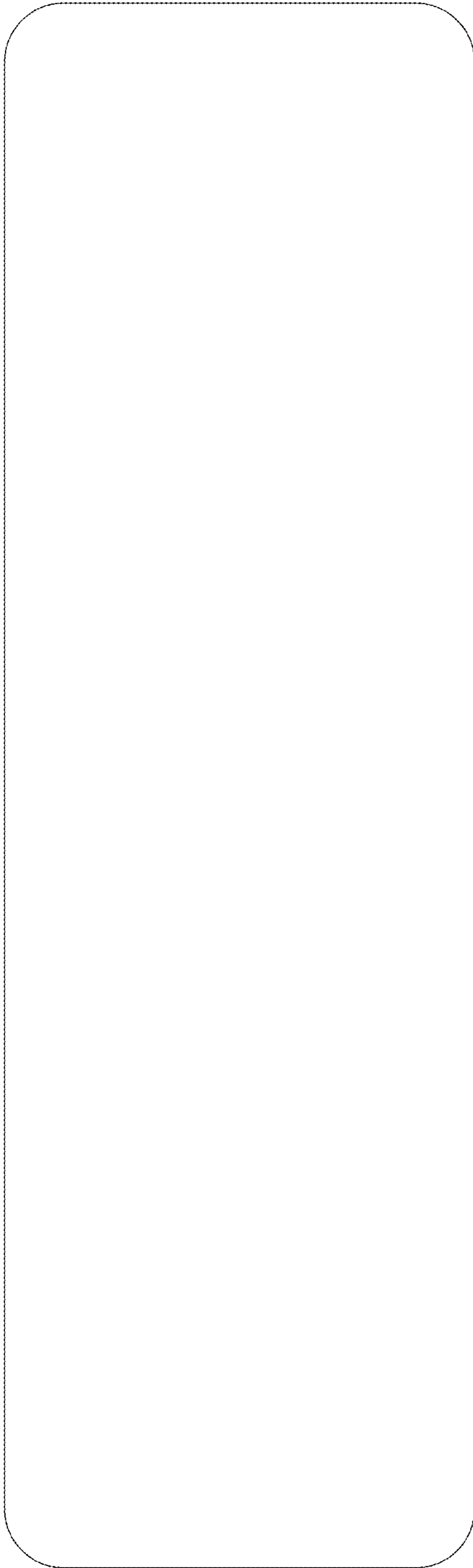


FIG.11