



US00D970273S

(12) **United States Design Patent** (10) **Patent No.:** **US D970,273 S**  
**Ge** (45) **Date of Patent:** **\*\* Nov. 22, 2022**

(54) **SIDE TABLE**

(71) Applicant: **Huilin Ge**, Ningbo (CN)

(72) Inventor: **Huilin Ge**, Ningbo (CN)

(\*\*) Term: **15 Years**

(21) Appl. No.: **29/816,495**

(22) Filed: **Nov. 23, 2021**

(51) **LOC (13) Cl.** ..... **06-03**

(52) **U.S. Cl.**

USPC ..... **D6/695.1**

(58) **Field of Classification Search**

USPC ..... D6/685, 686, 691.1, 691.3, 691.9, 695,  
D6/695.1, 696, 697

CPC ..... A47B 7/00; A47B 13/00; A47B 13/02;  
A47B 13/04; A47B 13/06; A47B 13/08;  
A47B 13/10; A47B 13/12; A47B 19/00;  
A47B 2200/0001; A47B 2200/0011;  
A47B 2200/002

See application file for complete search history.

(56) **References Cited**

**U.S. PATENT DOCUMENTS**

1,538,393	A *	5/1925	Fowler	.....	A47B 3/12
					D6/691.1
D731,827	S *	6/2015	Thorne	.....	A47B 7/00
					D6/691.3
D804,226	S	12/2017	Hunt et al.		
D854,362	S	7/2019	Fentress et al.		
D869,867	S *	12/2019	Davis	.....	D6/349
11,357,319	B1 *	6/2022	Tham	.....	A47B 7/00

**OTHER PUBLICATIONS**

Polywood SBT18SA South Beach 18" Outdoor Side Table—  
Amazon <https://www.amazon.com/POLYWOOD-SBT18SA-South-Beach-Outdoor/dp/B000M9KK22?th=1> retrieved from the internet on Sep. 22, 2022.\*

Realife Outdoor Adirondack Side Table—Amazon, first available on Jun. 7, 2022 [https://www.amazon.com/Realife-Outdoor-Adirondack-Rectangular-Garden/dp/B0B3D7RXLM/ref=sr\\_1\\_7?th=1](https://www.amazon.com/Realife-Outdoor-Adirondack-Rectangular-Garden/dp/B0B3D7RXLM/ref=sr_1_7?th=1) retrieved from the internet on Sep. 22, 2022.\*  
FRUITEAM 2-Tier Patio Side Table—Amazon, first available on Jun. 24, 2022 [https://www.amazon.com/FRUITEAM-Rectangular-Easy-Maintenance-Installation-Dual-Purposed/dp/B0B51RR24Q/ref=sr\\_1\\_14](https://www.amazon.com/FRUITEAM-Rectangular-Easy-Maintenance-Installation-Dual-Purposed/dp/B0B51RR24Q/ref=sr_1_14) retrieved from the internet on Sep. 22, 2022.\*

\* cited by examiner

*Primary Examiner* — Mary Ann Calabrese

(57) **CLAIM**

The ornamental design for a side table, as shown and described.

**DESCRIPTION**

FIG. 1 is a top perspective view of a side table showing my new design;

FIG. 2 is a bottom perspective view thereof;

FIG. 3 is a front elevational view thereof;

FIG. 4 is a rear elevational view thereof;

FIG. 5 is a left side elevational view thereof;

FIG. 6 is a right side elevational view thereof;

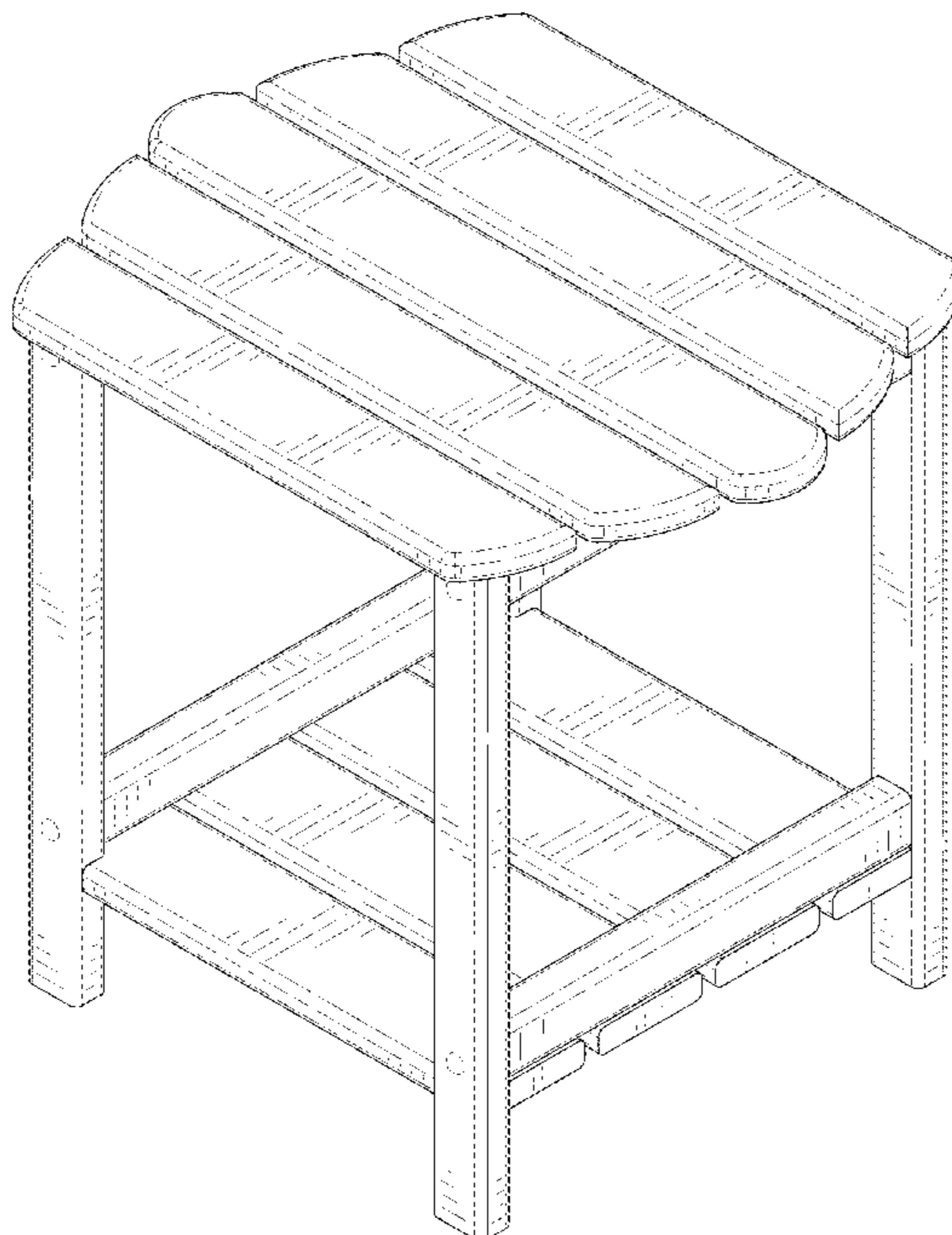
FIG. 7 is a top plan view thereof;

FIG. 8 is a bottom plan view thereof; and,

FIG. 9 is an enlarged view of the side table shown within the area designated as 9 in FIG. 2.

The broken lines in the drawings are for the purpose of illustrating portions of the side table that form no part of the claimed design.

**1 Claim, 9 Drawing Sheets**



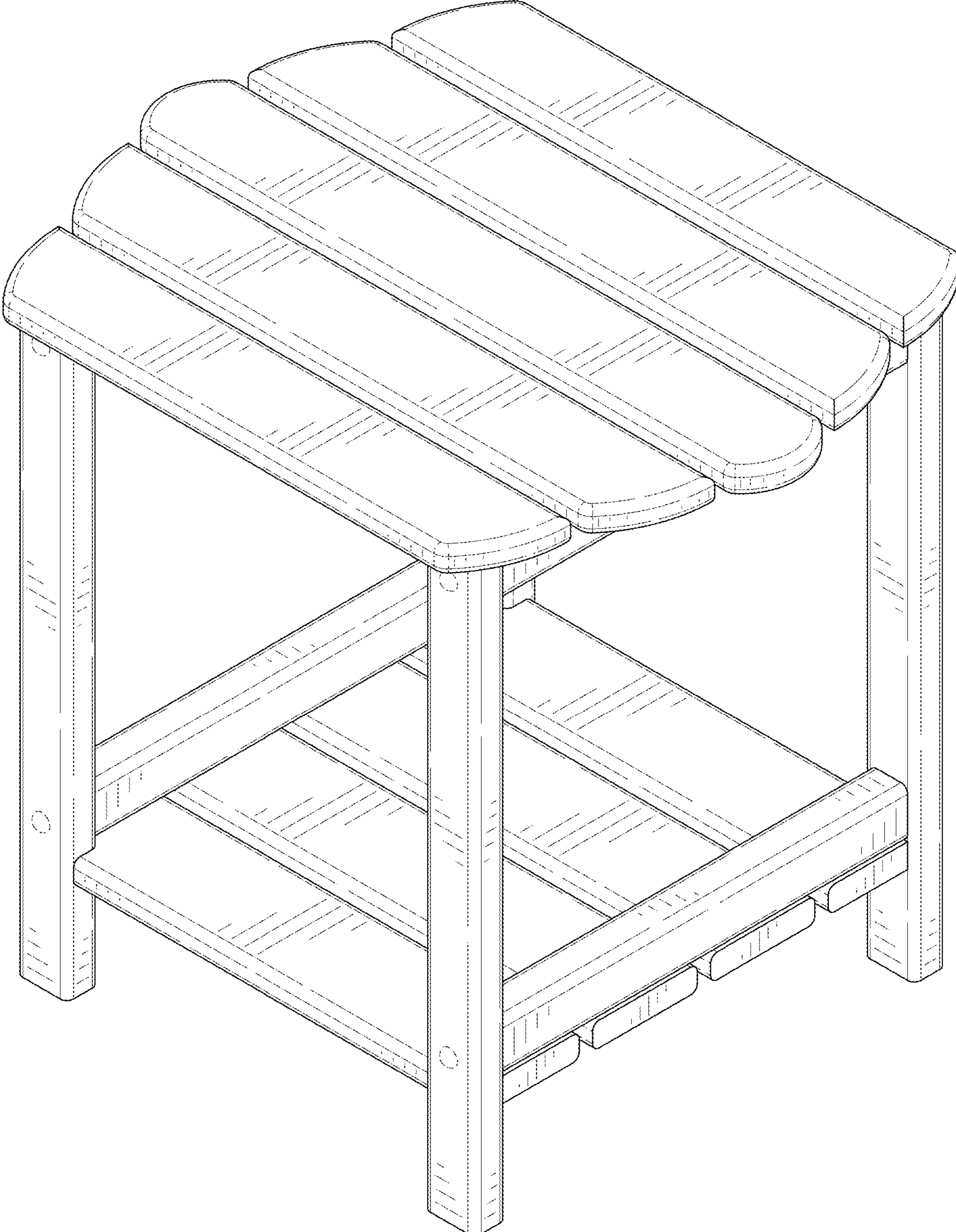


FIG. 1

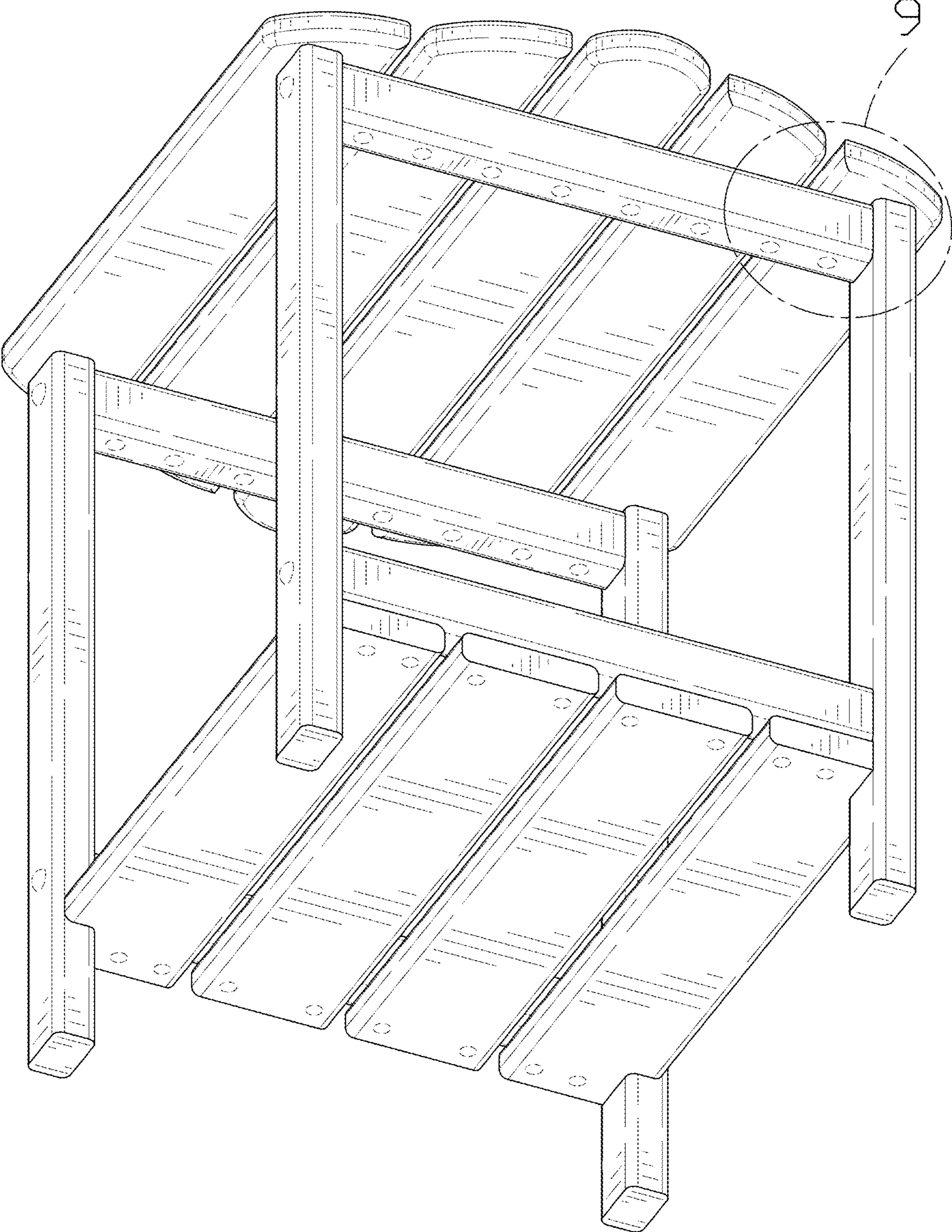


FIG. 2

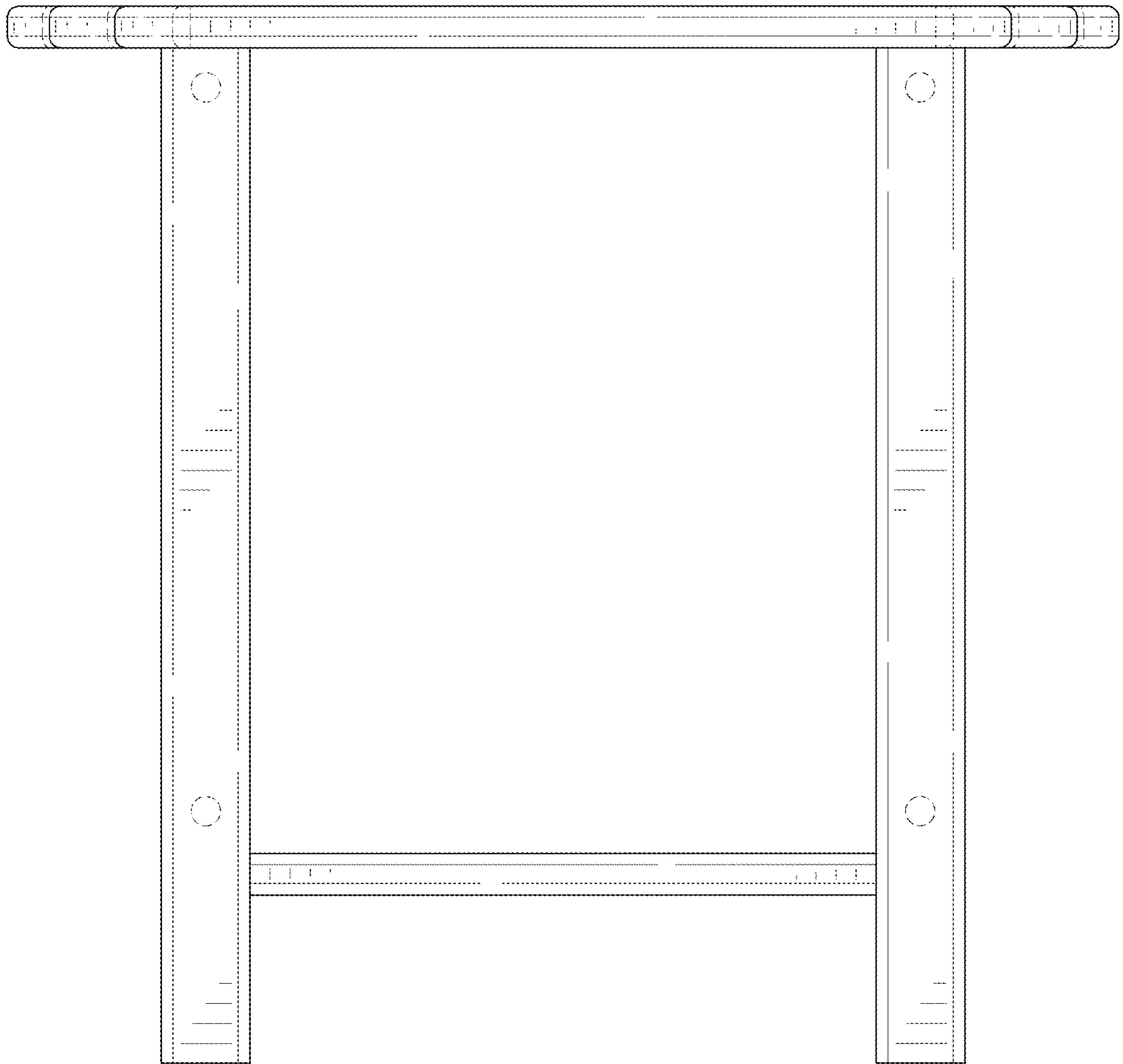


FIG. 3

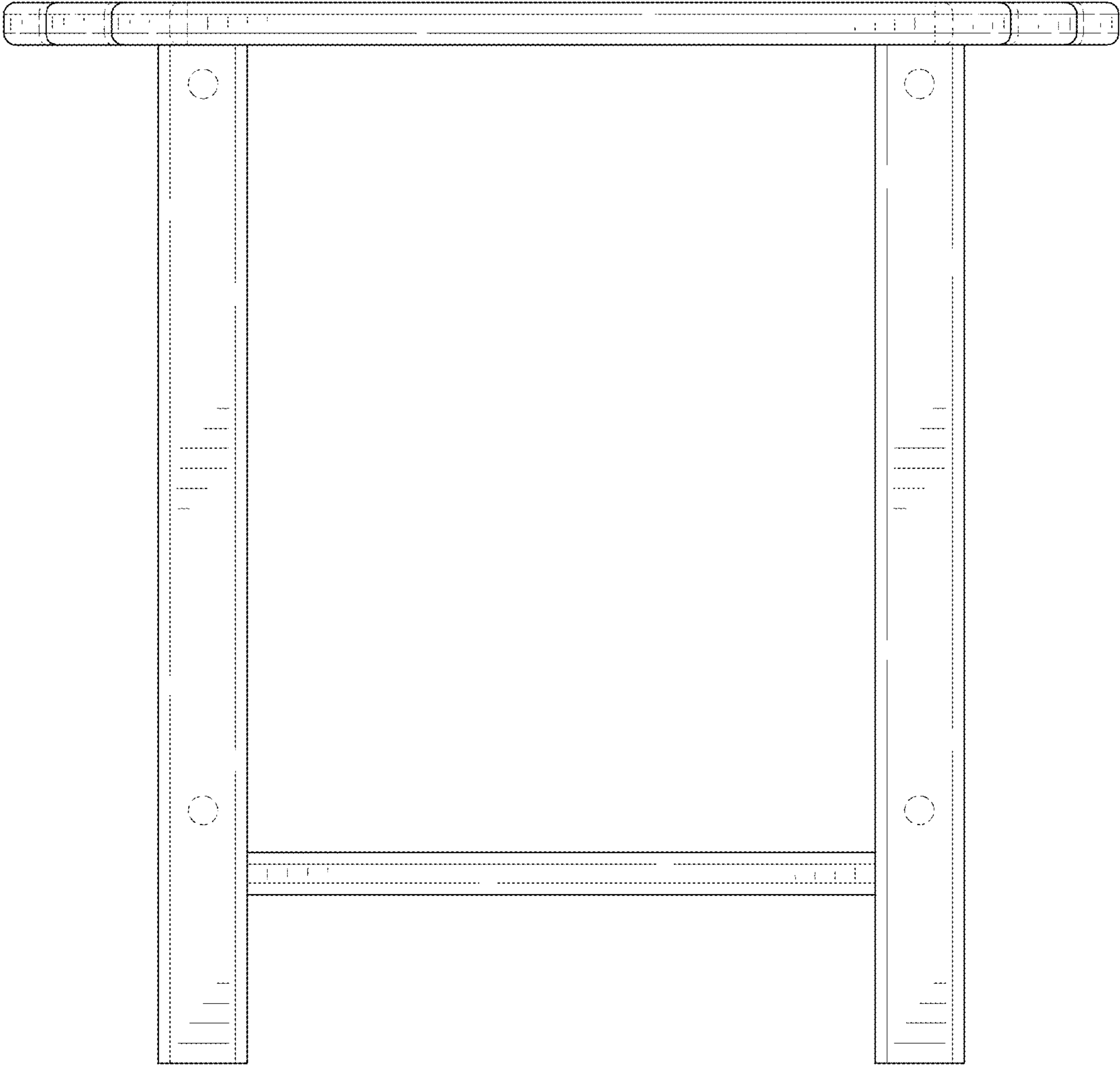


FIG. 4

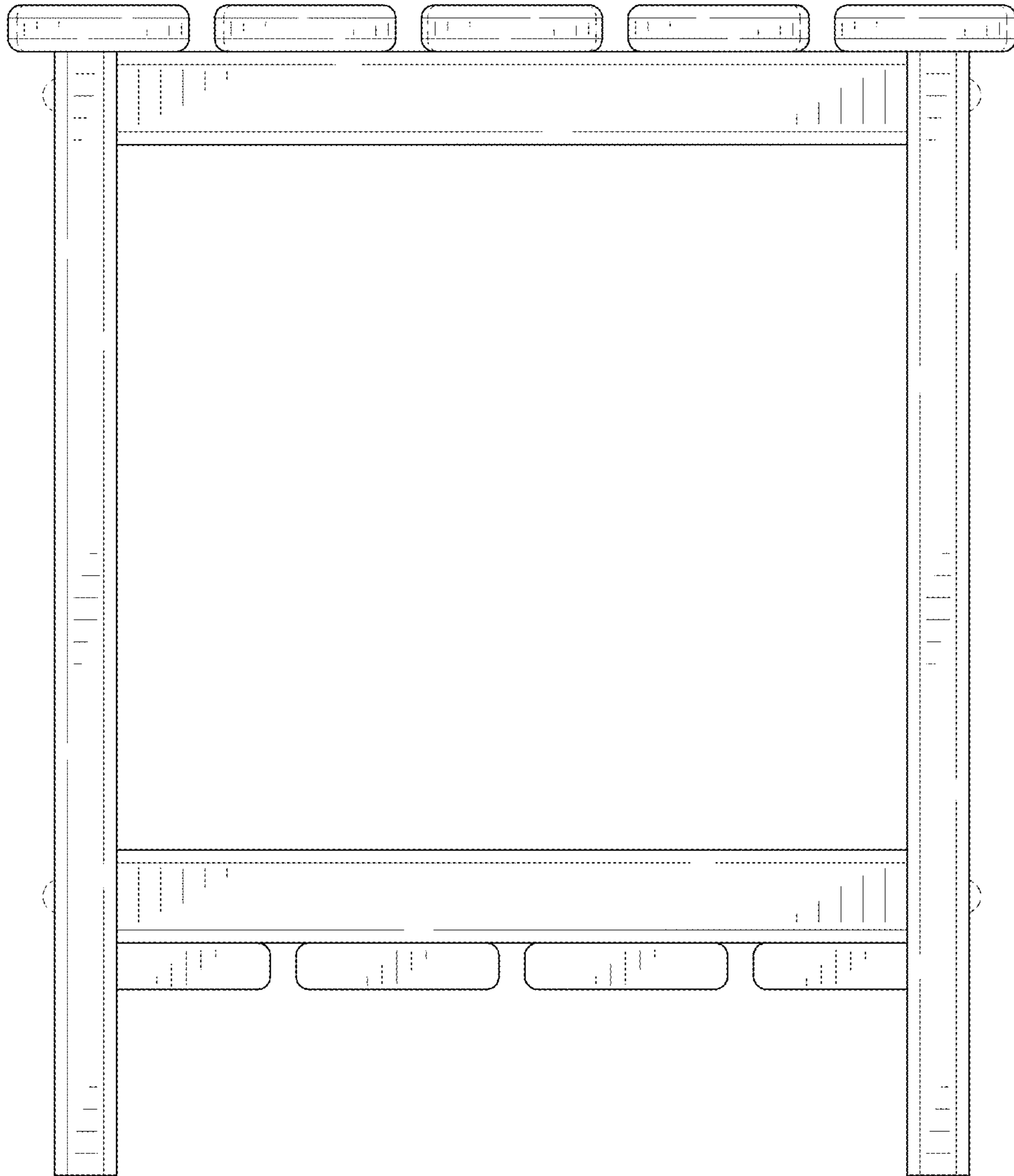


FIG. 5

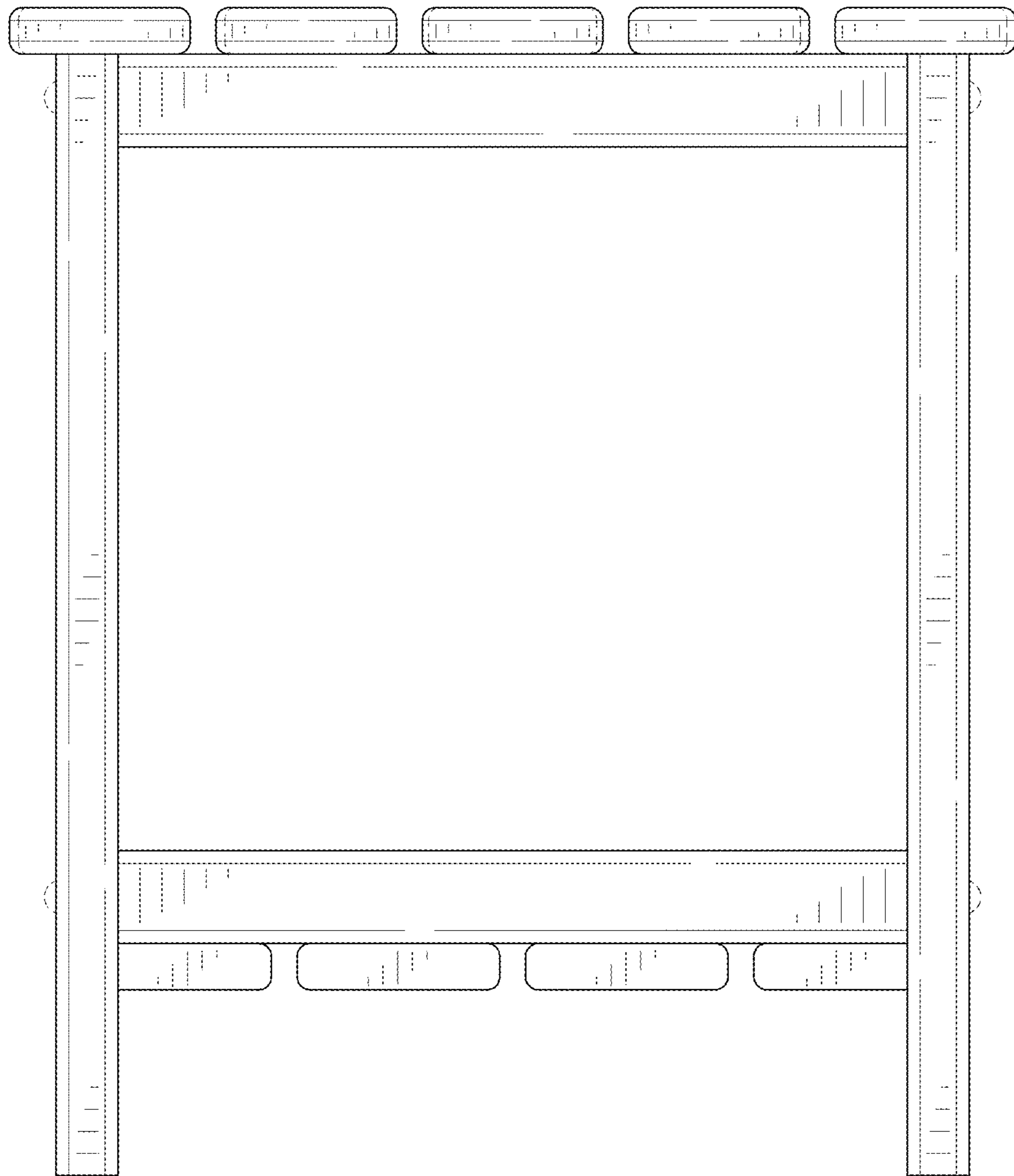


FIG. 6

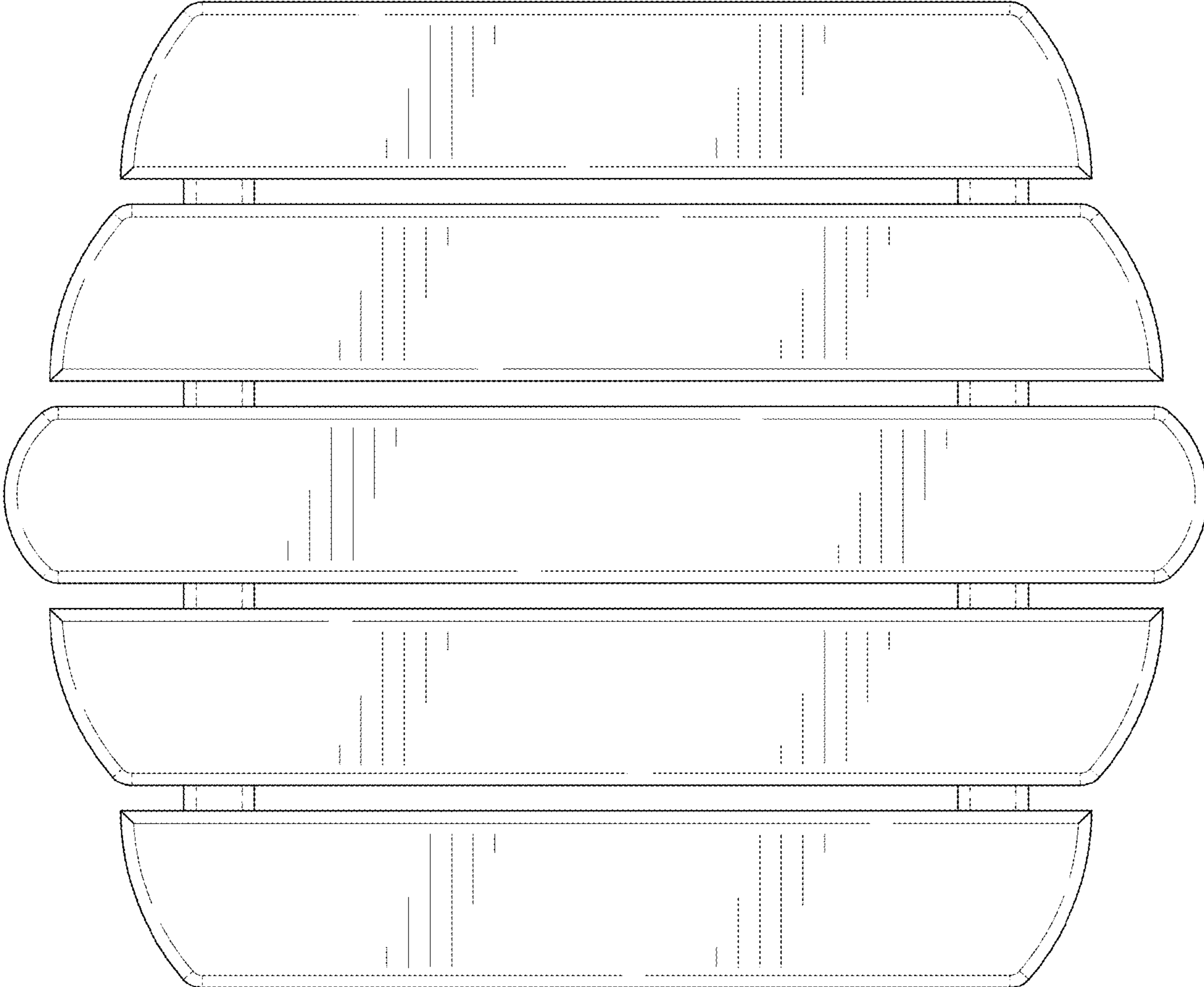


FIG. 7



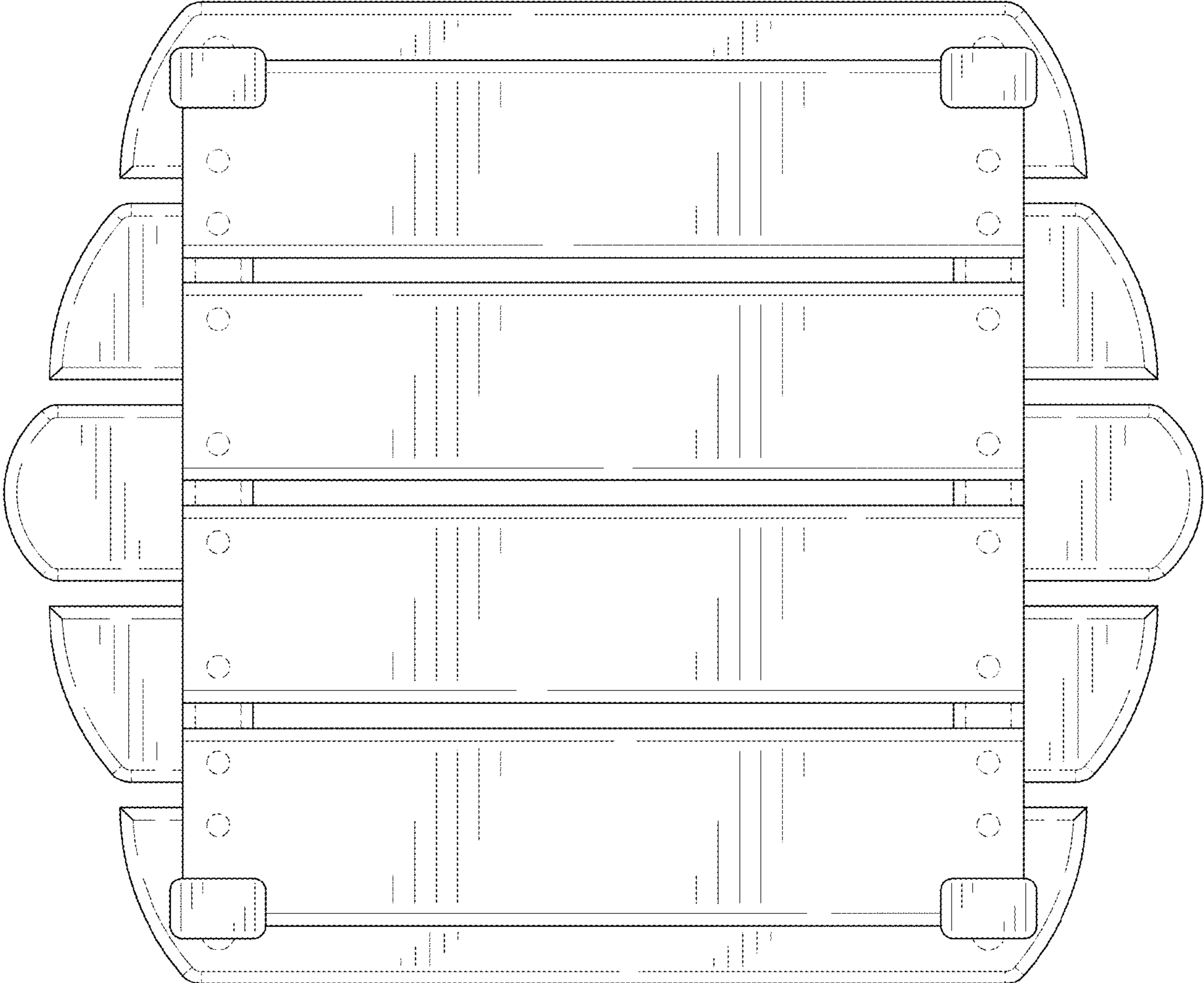


FIG. 8

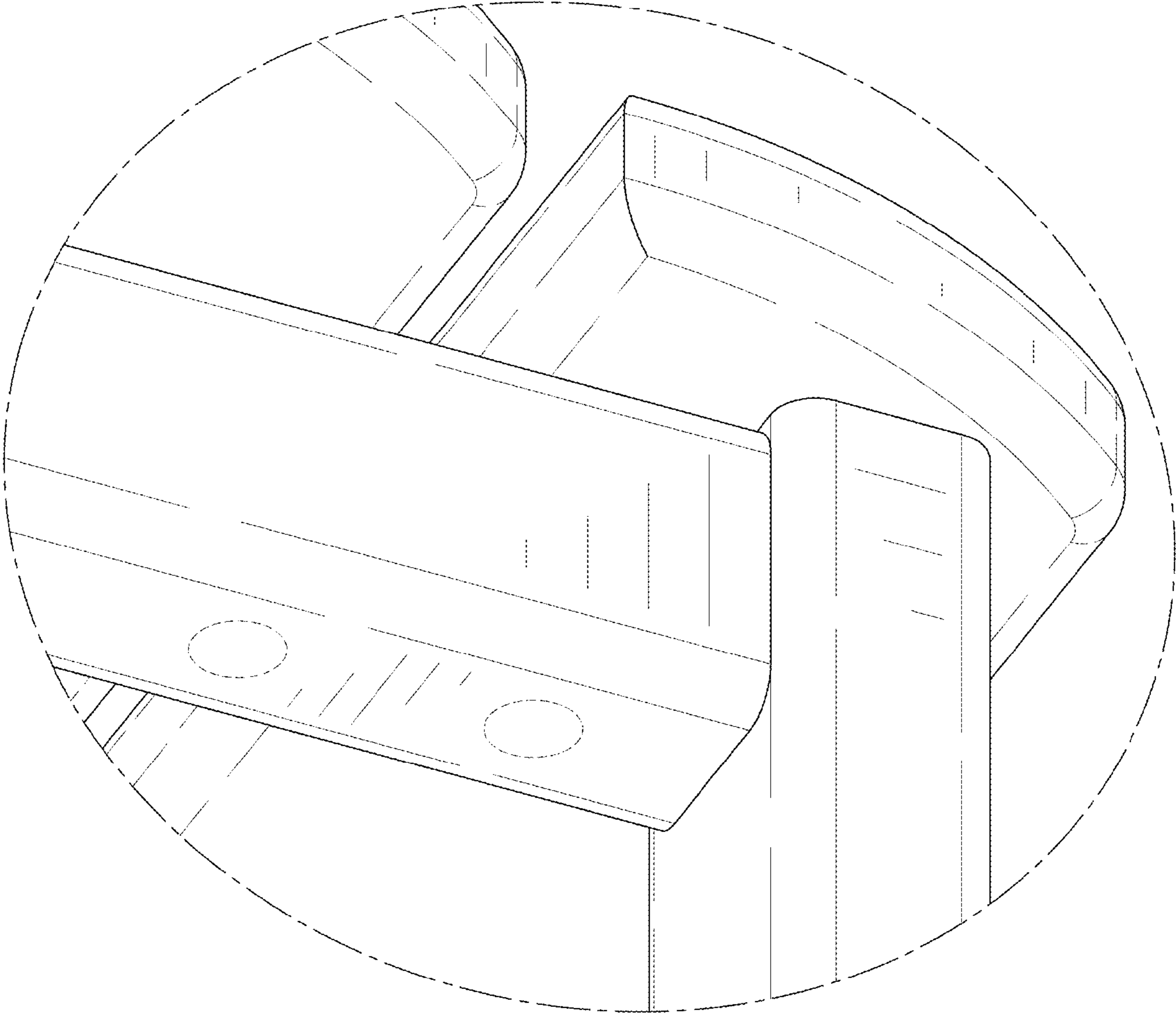


FIG. 9