



US00D970272S

(12) **United States Design Patent** (10) **Patent No.:** **US D970,272 S**
Chen (45) **Date of Patent:** **** Nov. 22, 2022**

(54) **TRIANGLE CORNER TABLE**

OTHER PUBLICATIONS

(71) Applicant: **KHD GROUP INC**, Walnut, CA (US)

“VECELO 3-Tier Corner Shelf.” Found online Sep. 21, 2022 at www.amazon.com. Product first available Mar. 12, 2022. Retrieved from URL: https://www.amazon.com/VECELO-Multipurpose-Organizer-Bathroom-Industrial/dp/B09VDRYMBX (Year: 2022).*

(72) Inventor: **BiLian Chen**, Guangdong (CN)

“International Concepts Corner Accent Table.” Found online Sep. 21, 2022 at www.amazon.com. Customer question answered Aug. 23, 2013. Retrieved from URL: https://www.amazon.com/International-Concepts-OT-95-Corner-Unfinished/dp/B0029LHTFC (Year: 2013).*

(73) Assignee: **KHD GROUP INC**

“Kings Brand Walnut Finish Wood Corner Sofa Accent Table with Drawer.” Found online Sep. 21, 2022 at www.amazon.com. Product first available Aug. 26, 2015. Retrieved from URL: https://www.amazon.com/Kings-Brand-Walnut-Finish-Corner/dp/B01413L4AE (Year: 2015).*

(**) Term: **15 Years**

“Sunset Trading Shabby Chic Cottage Corner Table.” Found online Sep. 21, 2022 at www.amazon.com. Product first available Mar. 21, 2019. Retrieved from URL: https://www.amazon.com/Sunset-Trading-CC-TAB179TLD-WWRW-Whitewash-raftwood/dp/B07NNRGLBK (Year: 2019).*

(21) Appl. No.: **29/812,992**

(22) Filed: **Oct. 26, 2021**

(51) **LOC (13) Cl.** **06-03**

(52) **U.S. Cl.**

USPC **D6/693.1**

(58) **Field of Classification Search**

USPC D6/329, 349, 363, 641, 648, 648.1, 649, D6/654.1, 655, 656, 656.13, 656.14, D6/668.1, 668.2, 685, 693, 693.1, 693.2, D6/693.3, 697, 699.1

CPC A47B 81/002; A47B 49/006; A47B 13/10; A47B 21/0314; A47B 19/00; A47B 21/00; A47B 17/00; A47B 7/00

See application file for complete search history.

* cited by examiner

Primary Examiner — Mary Ann Calabrese

Assistant Examiner — Katelin G Kloberg

(57) **CLAIM**

The ornamental design for a triangle corner table, as shown and described.

(56) **References Cited**

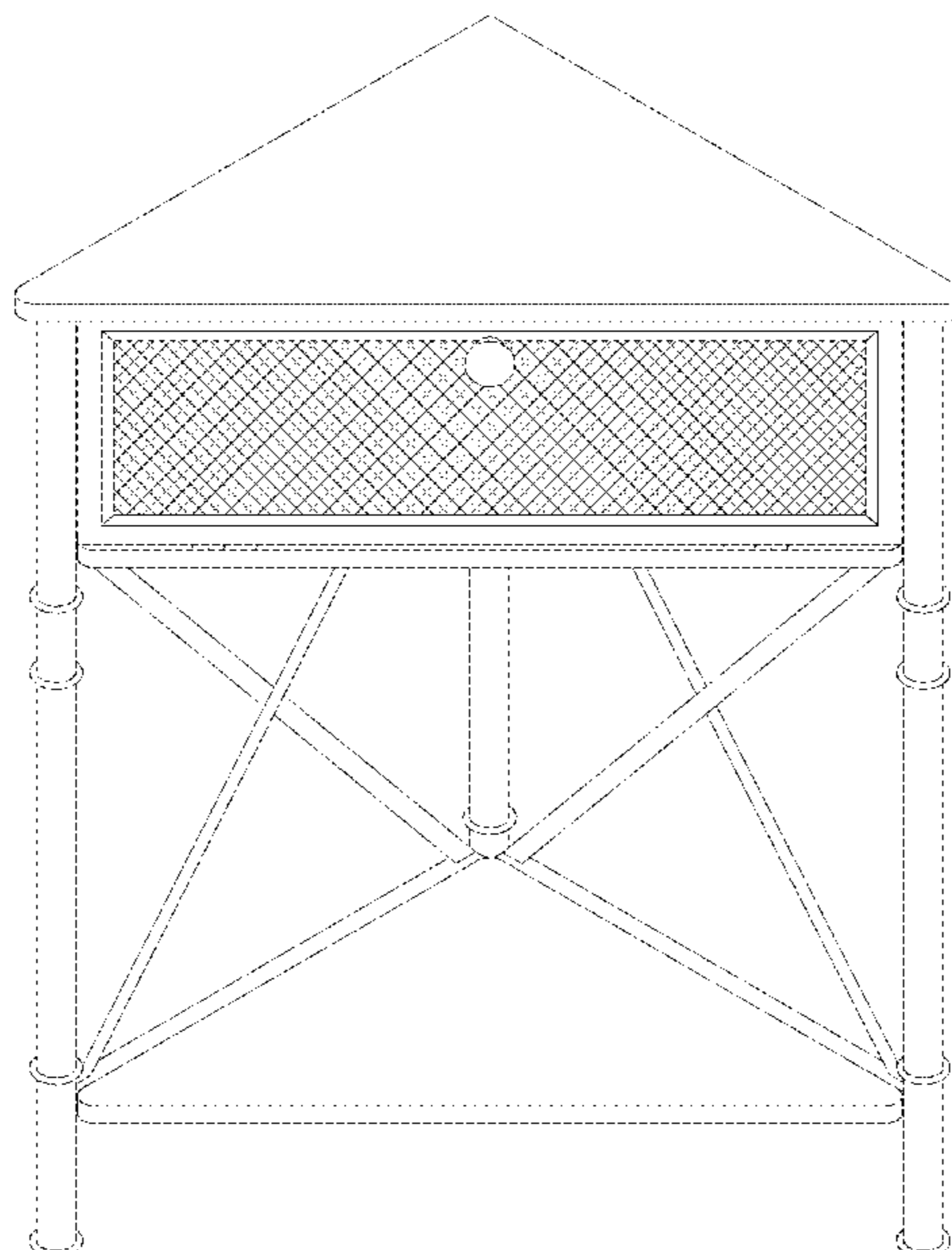
DESCRIPTION

U.S. PATENT DOCUMENTS

D160,123 S *	9/1950	Reinheimer	D6/668.1
D211,527 S *	6/1968	Rowland	D6/693
D254,641 S	4/1980	Thorpe		
D380,625 S *	7/1997	Yeh	D6/668.2
D420,536 S	2/2000	Swensson		
D480,583 S *	10/2003	Risdall	D6/697
D543,384 S *	5/2007	Resterhouse	D6/693.1
D549,992 S *	9/2007	Barnard	D6/697
D909,101 S *	2/2021	Benton	D6/668.2
D945,185 S *	3/2022	Cohen	D6/668.2
D957,151 S *	7/2022	Cohen	D6/349

FIG. 1 is a perspective view of a triangle corner table showing my new design;
FIG. 2 is a front view thereof;
FIG. 3 is a back view thereof;
FIG. 4 is a left side view thereof;
FIG. 5 is a right side view thereof;
FIG. 6 is a top plan view thereof; and,
FIG. 7 is a bottom plan view thereof.

1 Claim, 7 Drawing Sheets



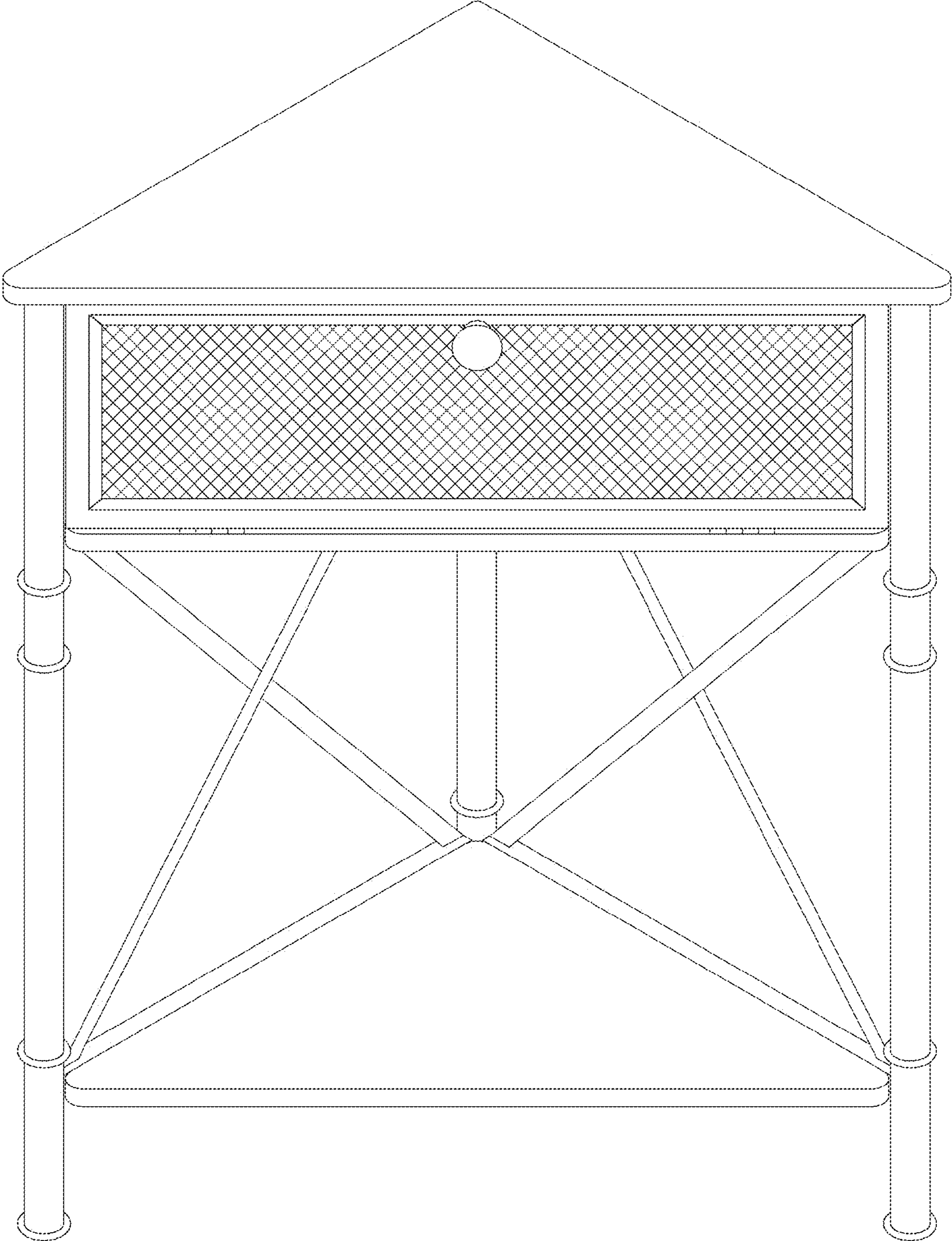


FIG 1

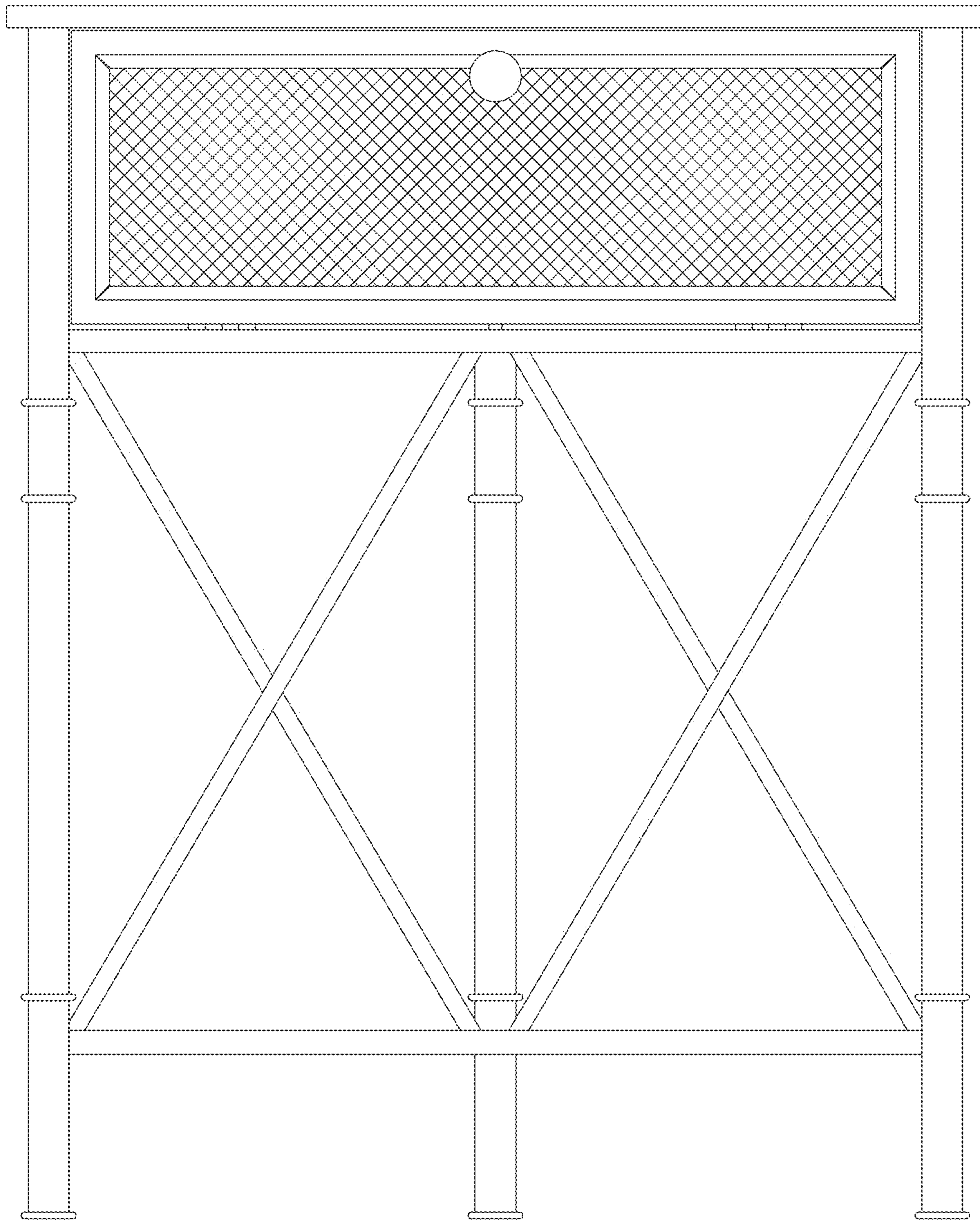


FIG 2

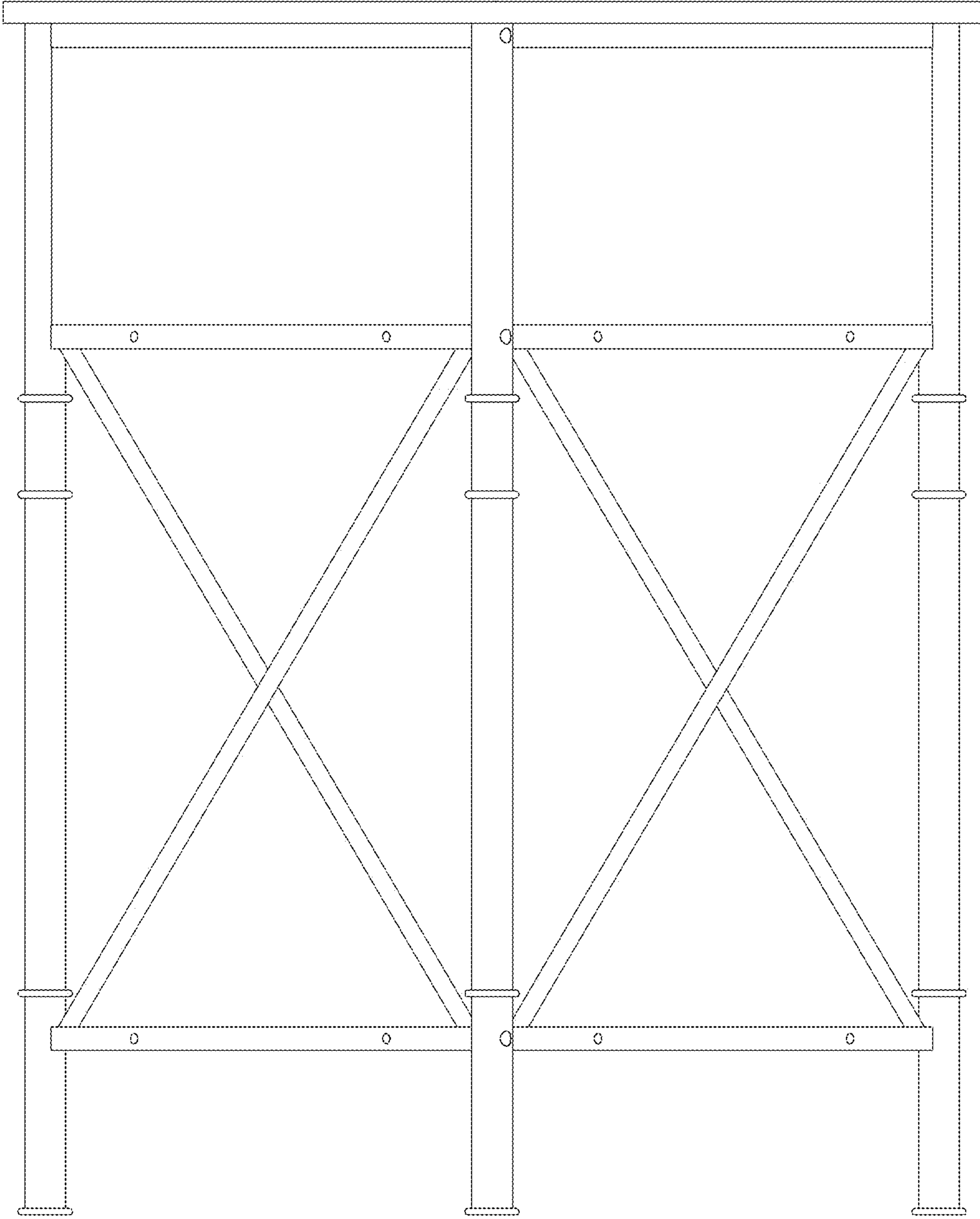


FIG 3

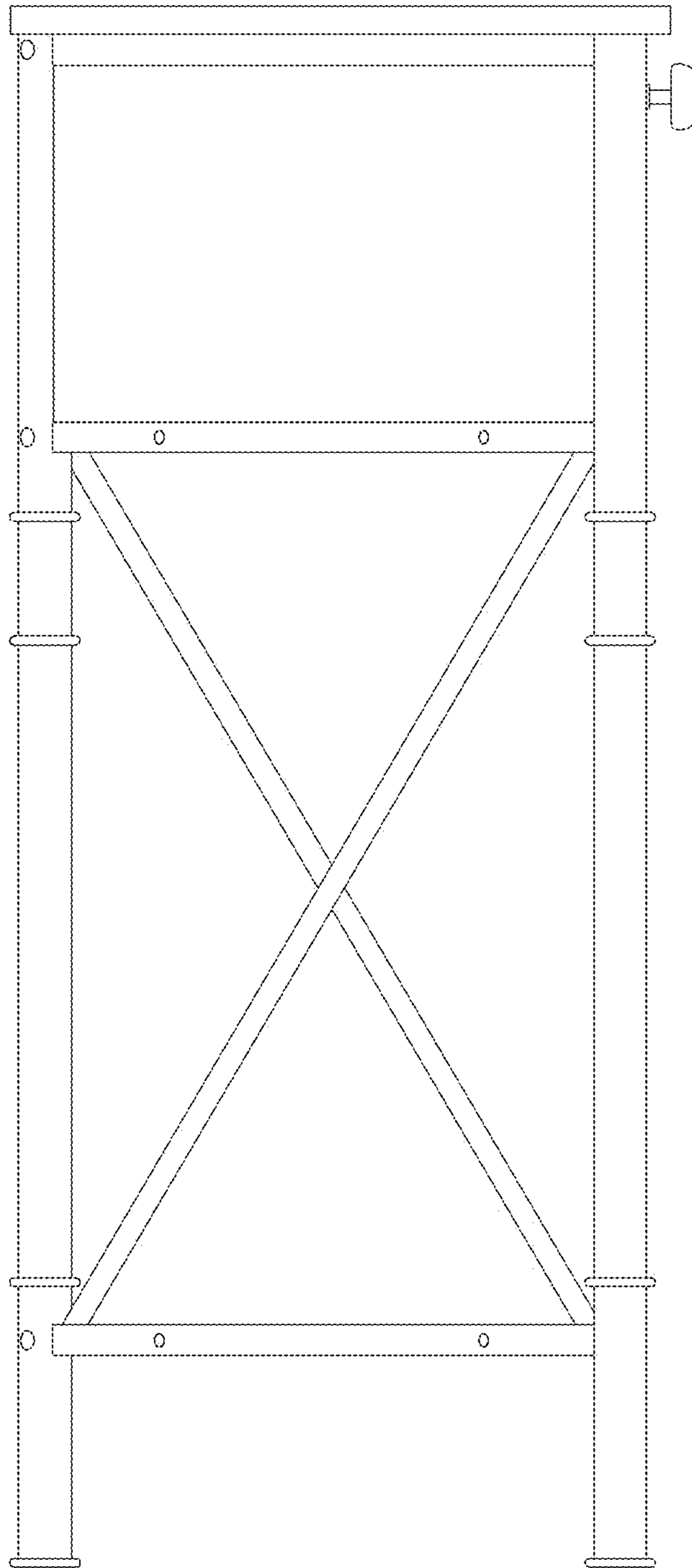


FIG 4

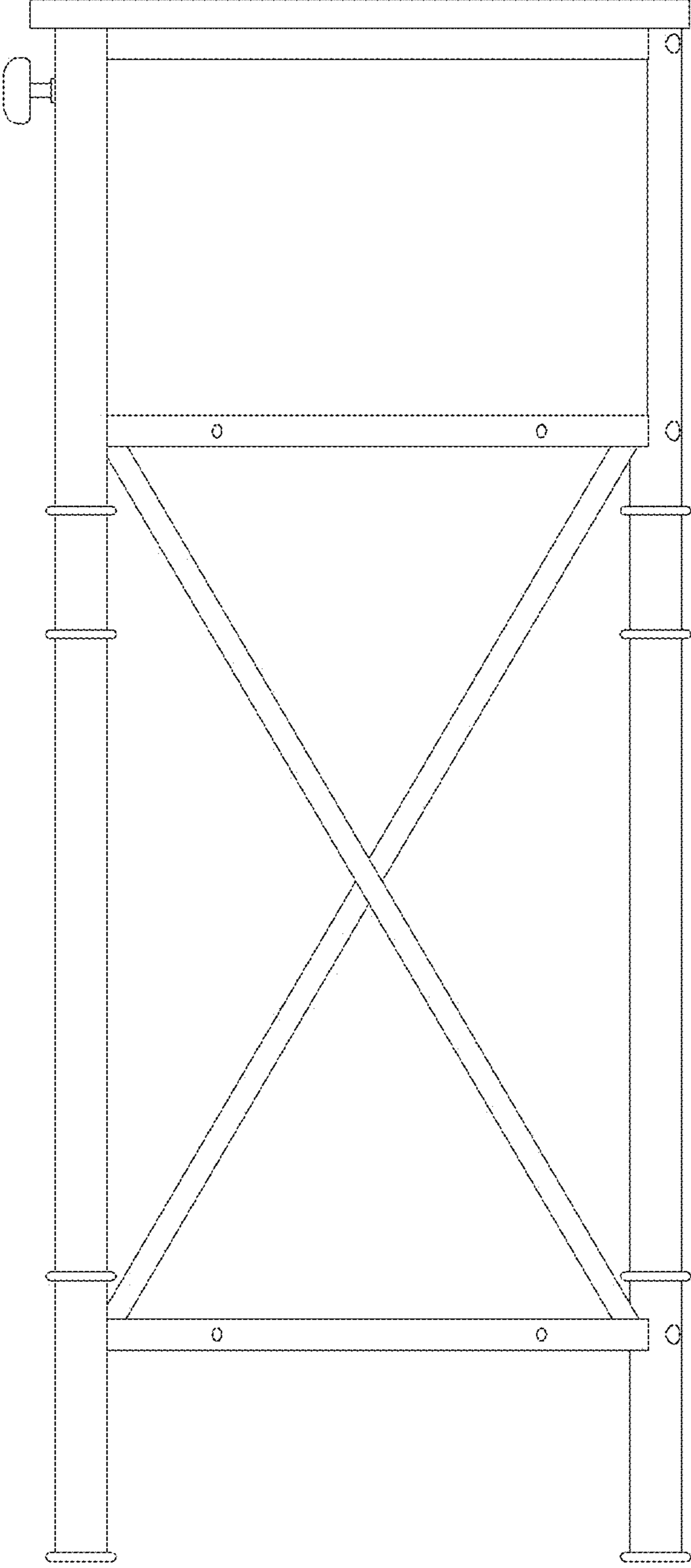


FIG 5

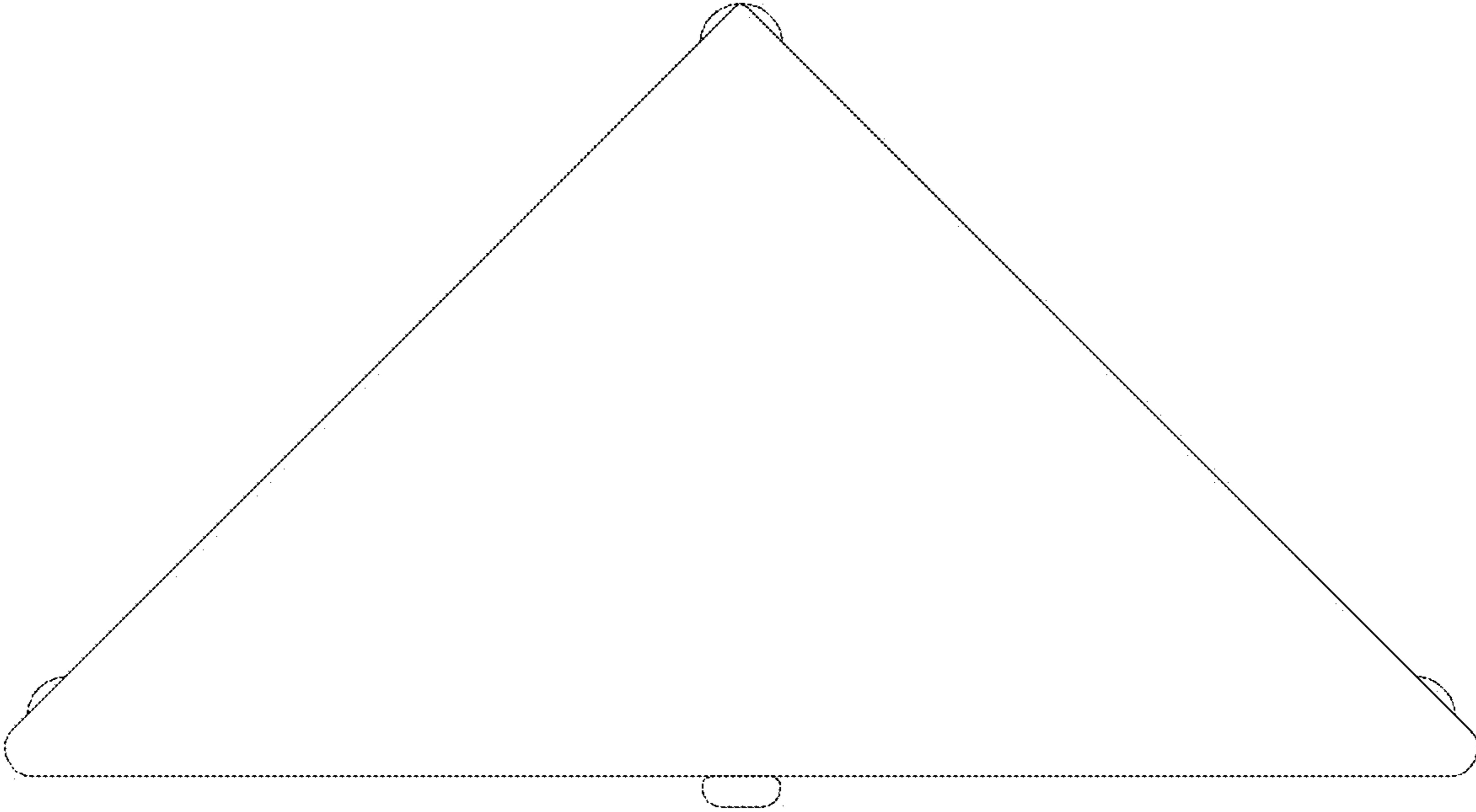


FIG 6

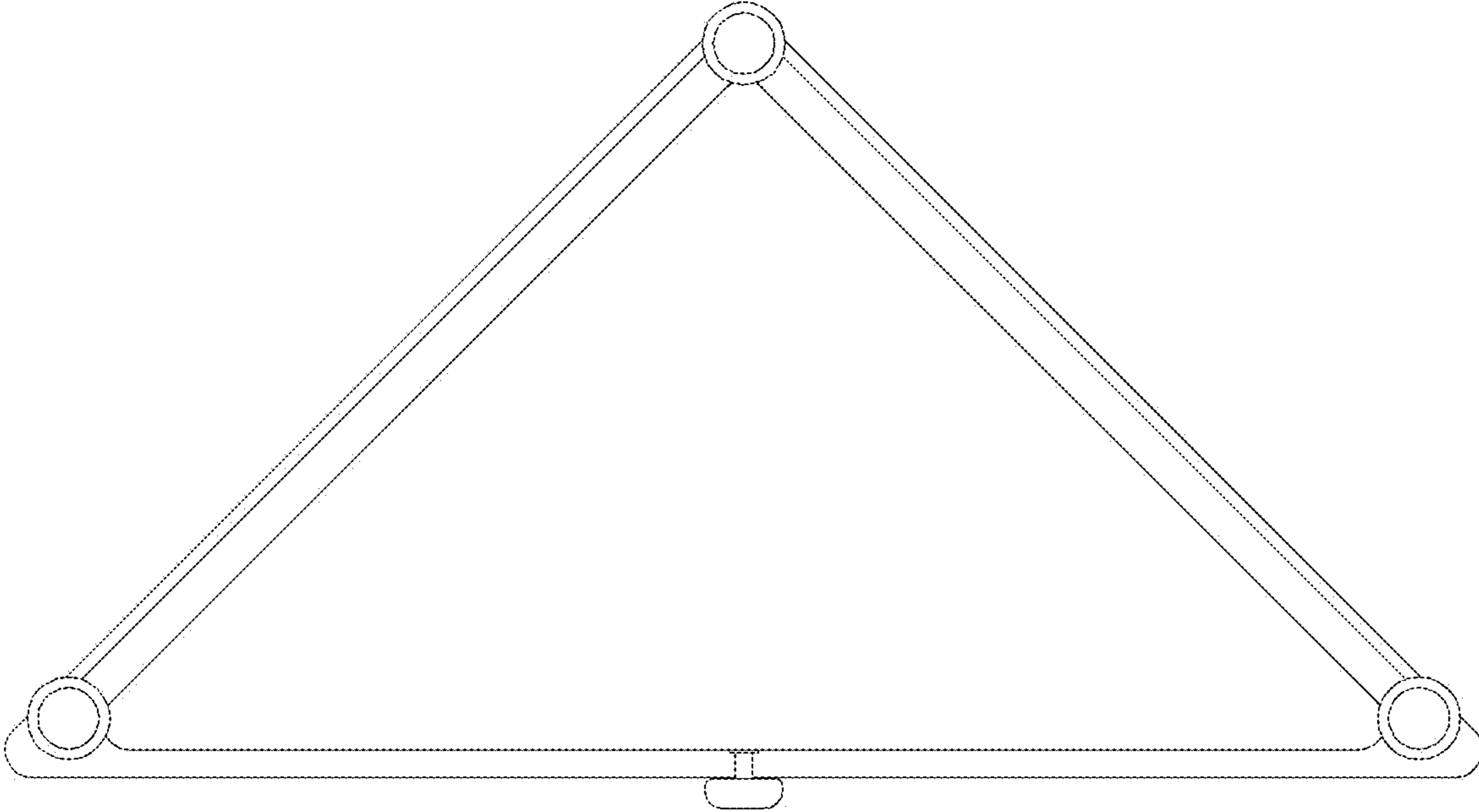


FIG 7