



US00D970270S

(12) **United States Design Patent** (10) **Patent No.:** **US D970,270 S**  
**Dai** (45) **Date of Patent:** **\*\* Nov. 22, 2022**

(54) **SHELVES**  
(71) Applicant: **Miaow Intelligent Technology (Shanghai) Co., Ltd.**, Shanghai (CN)  
(72) Inventor: **Xuyan Dai**, Shanghai (CN)  
(73) Assignee: **Miaow Intelligent Technology (Shanghai) Co., Ltd.**, Shanghai (CN)

D942,731 S 2/2022 Hsu  
D944,042 S \* 2/2022 Chen ..... D6/675.2  
D952,977 S \* 5/2022 Li ..... D32/55  
D957,775 S \* 7/2022 Lien ..... D32/55

\* cited by examiner

*Primary Examiner* — Kelley A Donnelly  
(74) *Attorney, Agent, or Firm* — ScienBiziP, P.C.

(\*\*) Term: **15 Years**  
(21) Appl. No.: **29/832,638**

(57) **CLAIM**

The ornamental design for a shelves, as shown and described.

(22) Filed: **Mar. 29, 2022**  
(51) **LOC (13) Cl.** ..... **06-06**  
(52) **U.S. Cl.**  
USPC ..... **D6/683.1**; D3/313  
(58) **Field of Classification Search**  
USPC ..... D3/304, 307, 310, 313; D6/653, 653.1, D6/672, 675, 675.1, 675.2, 682, 682.1, D6/682.2, 683, 683.1; D7/552.2, 553.1, D7/543, 555, 600.1; D32/55; D28/73  
CPC . B65D 1/22; B65D 1/24; B65D 11/20; B65D 21/0209; B25H 3/003; B25H 3/04; B25H 3/028  
See application file for complete search history.

**DESCRIPTION**

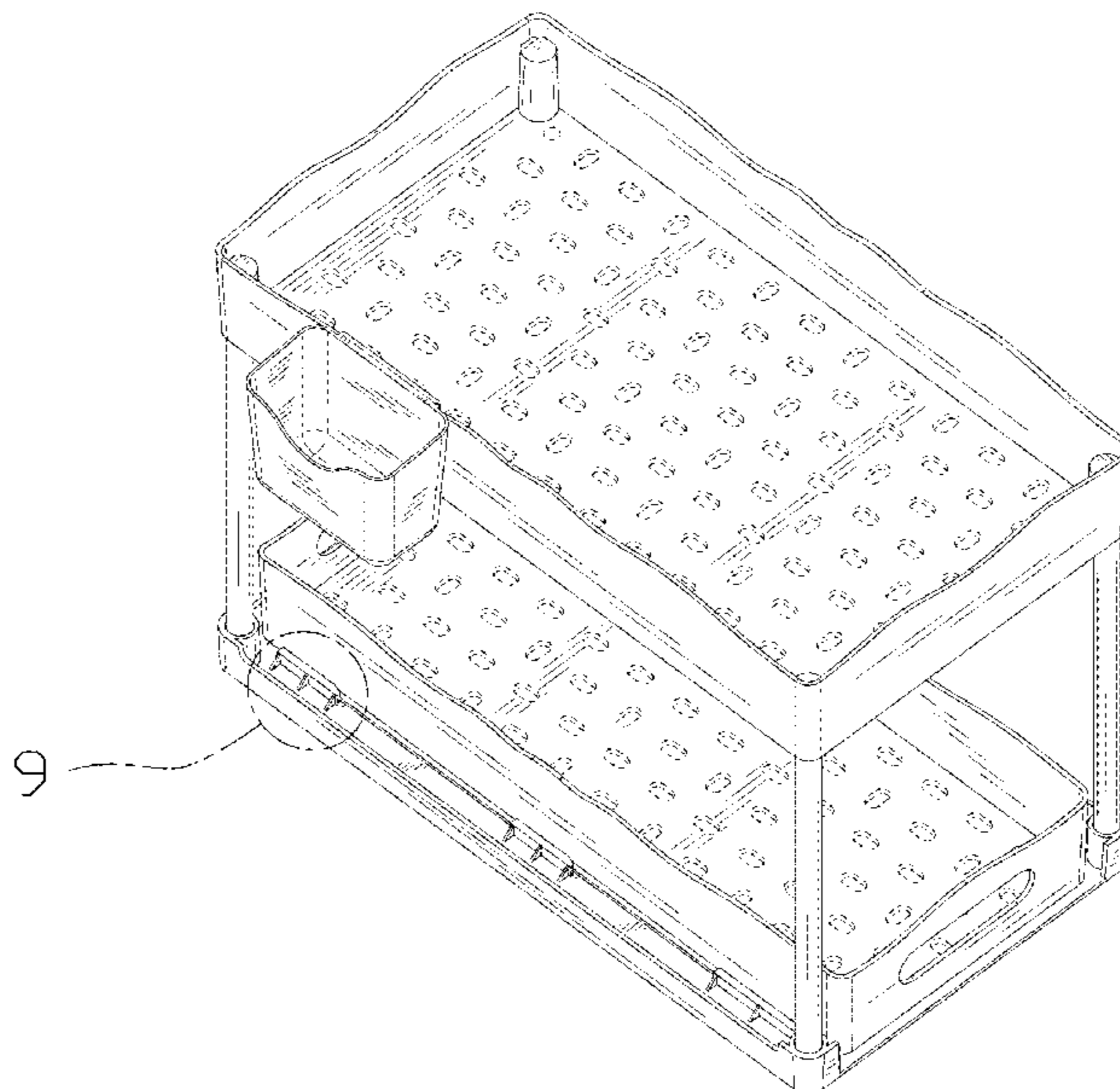
FIG. 1 is a front, right and top perspective view of shelves, showing my design.  
FIG. 2 is a rear, left and bottom perspective view thereof.  
FIG. 3 is a front elevation view thereof.  
FIG. 4 is a rear elevation view thereof.  
FIG. 5 is a left side elevation view thereof.  
FIG. 6 is a right side elevation view thereof.  
FIG. 7 is a top plan view thereof.  
FIG. 8 is a bottom plan view thereof.  
FIG. 9 is a partial enlarged view of an area labeled 9 in FIG. 1.  
FIG. 10 is a partial enlarged view of an area labeled 10 in FIG. 2.  
FIG. 11 is another front, right and top perspective view of the shelves in FIG. 1 in a first state; and,  
FIG. 12 is another front, right and top perspective view of the shelves in FIG. 1 in a second state.  
The broken lines in the drawings depict portions of the shelves that form no part of the claimed design.  
Dot-dash broken lines framing portions of the claimed design that are illustrated for enlargements form no part of the claimed design.

(56) **References Cited**

U.S. PATENT DOCUMENTS

D696,049 S \* 12/2013 Hsu ..... D6/675.2  
D736,014 S \* 8/2015 Tsai ..... D6/675.2  
D761,043 S \* 7/2016 Snider ..... D6/675.2  
D839,644 S \* 2/2019 Tuang ..... D6/683.1  
D877,529 S \* 3/2020 Zemel ..... D6/519  
D914,408 S \* 3/2021 Li ..... D34/21  
D914,409 S \* 3/2021 Xu ..... D6/675.2  
D923,369 S \* 6/2021 Su ..... D6/675.2  
D928,442 S \* 8/2021 Zhan ..... D32/55  
D937,018 S 11/2021 Liu  
D939,167 S \* 12/2021 Fan ..... D32/55

**1 Claim, 12 Drawing Sheets**



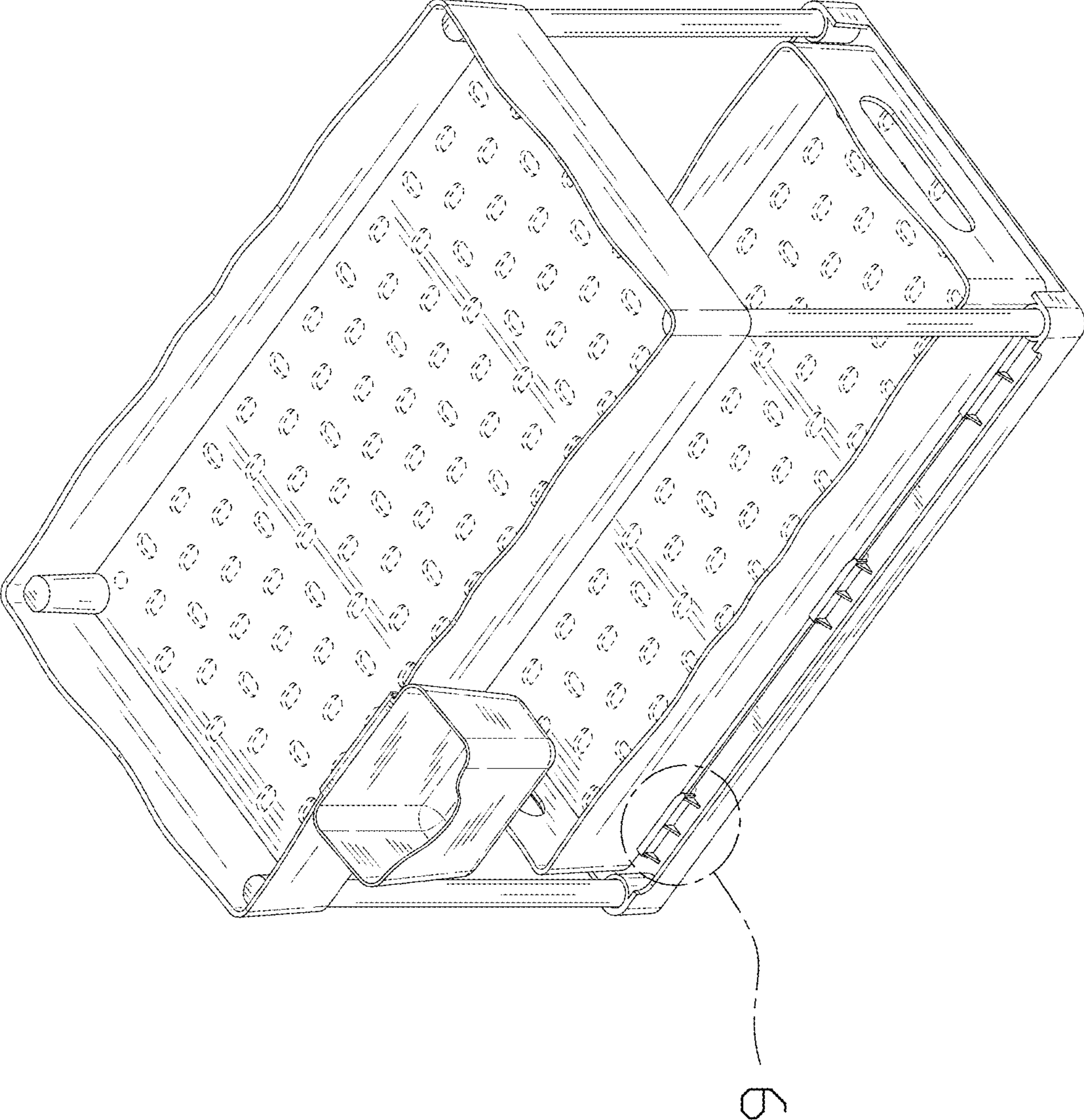


FIG. 1

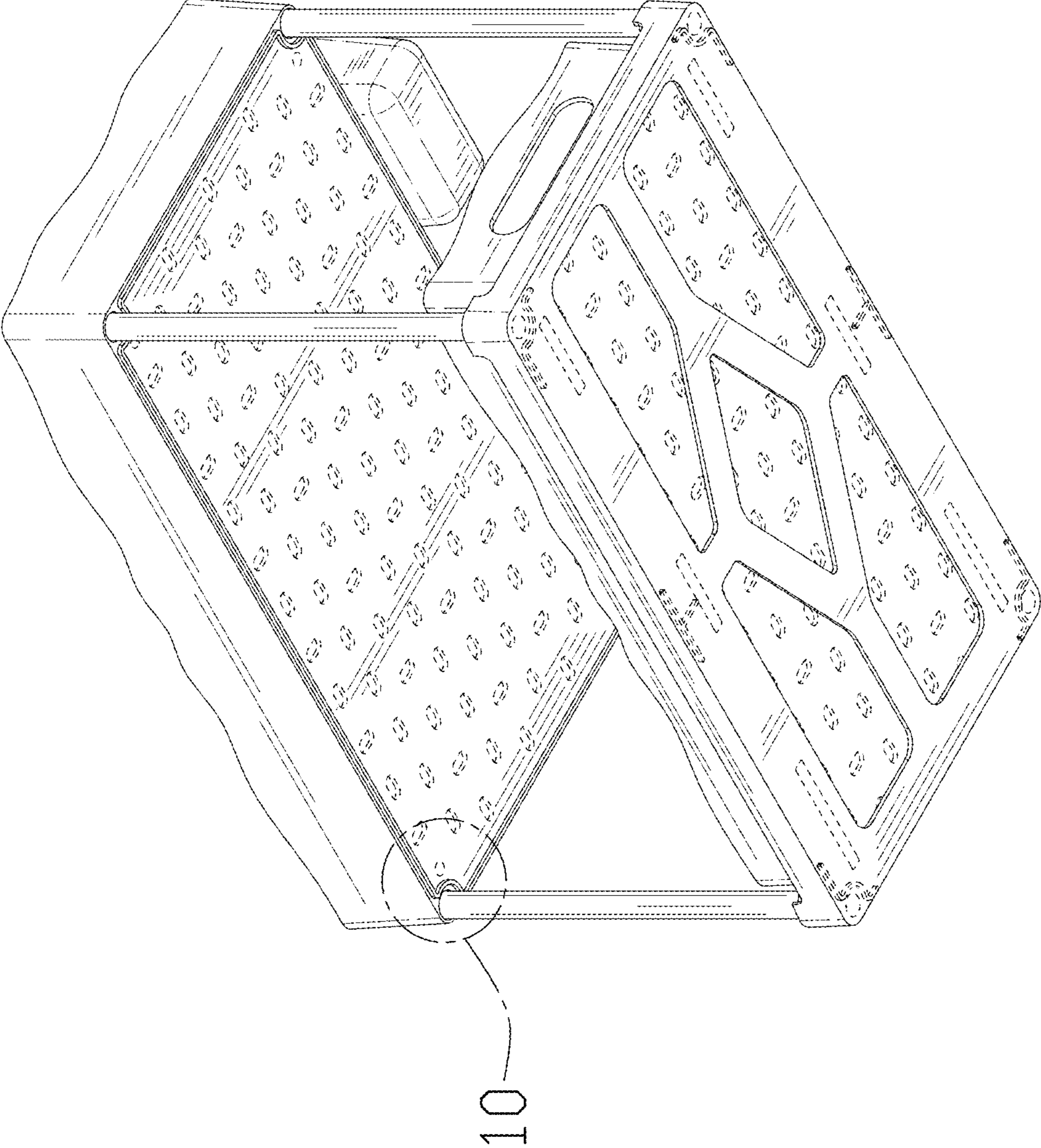


FIG. 2

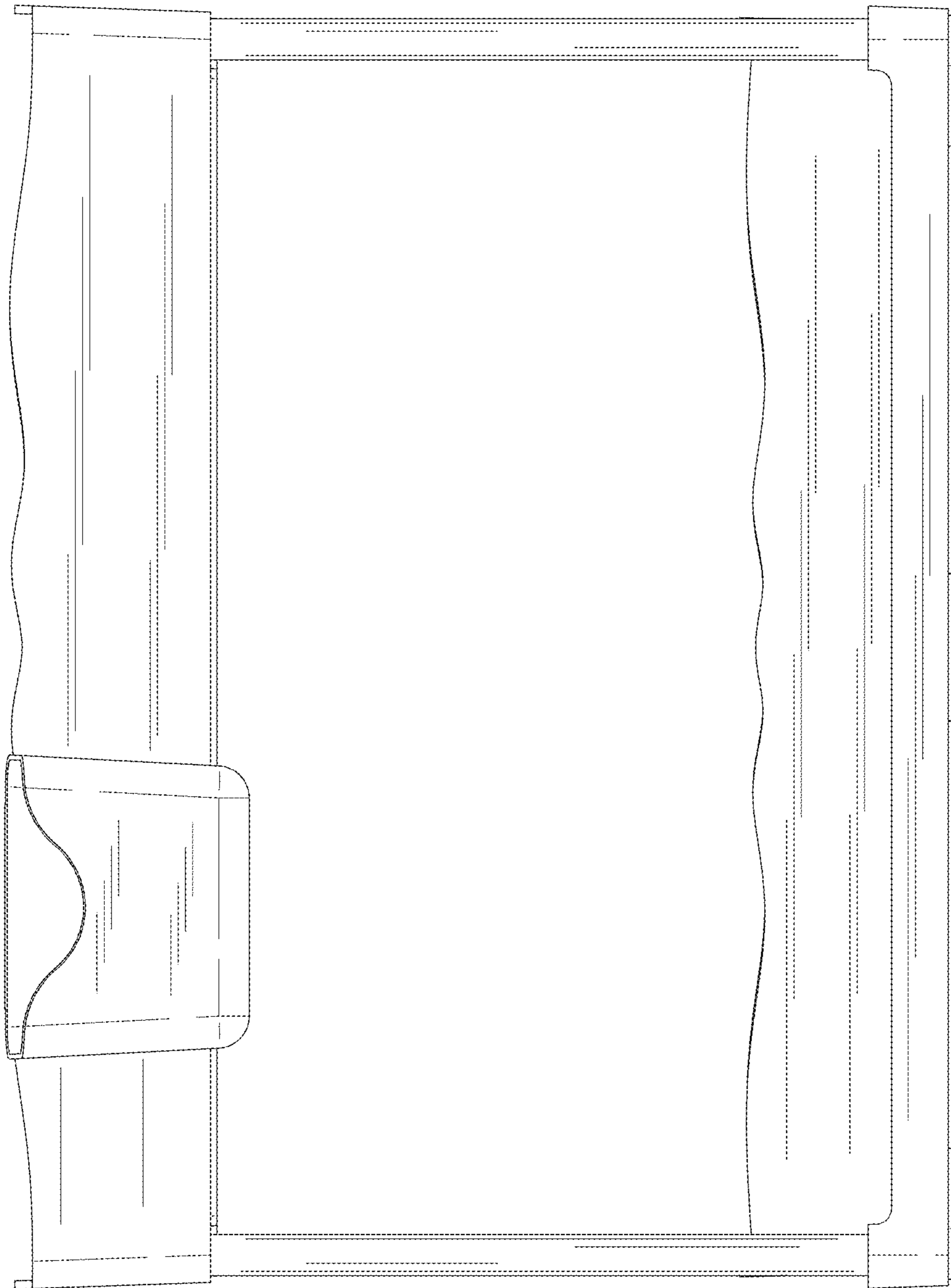


FIG. 3

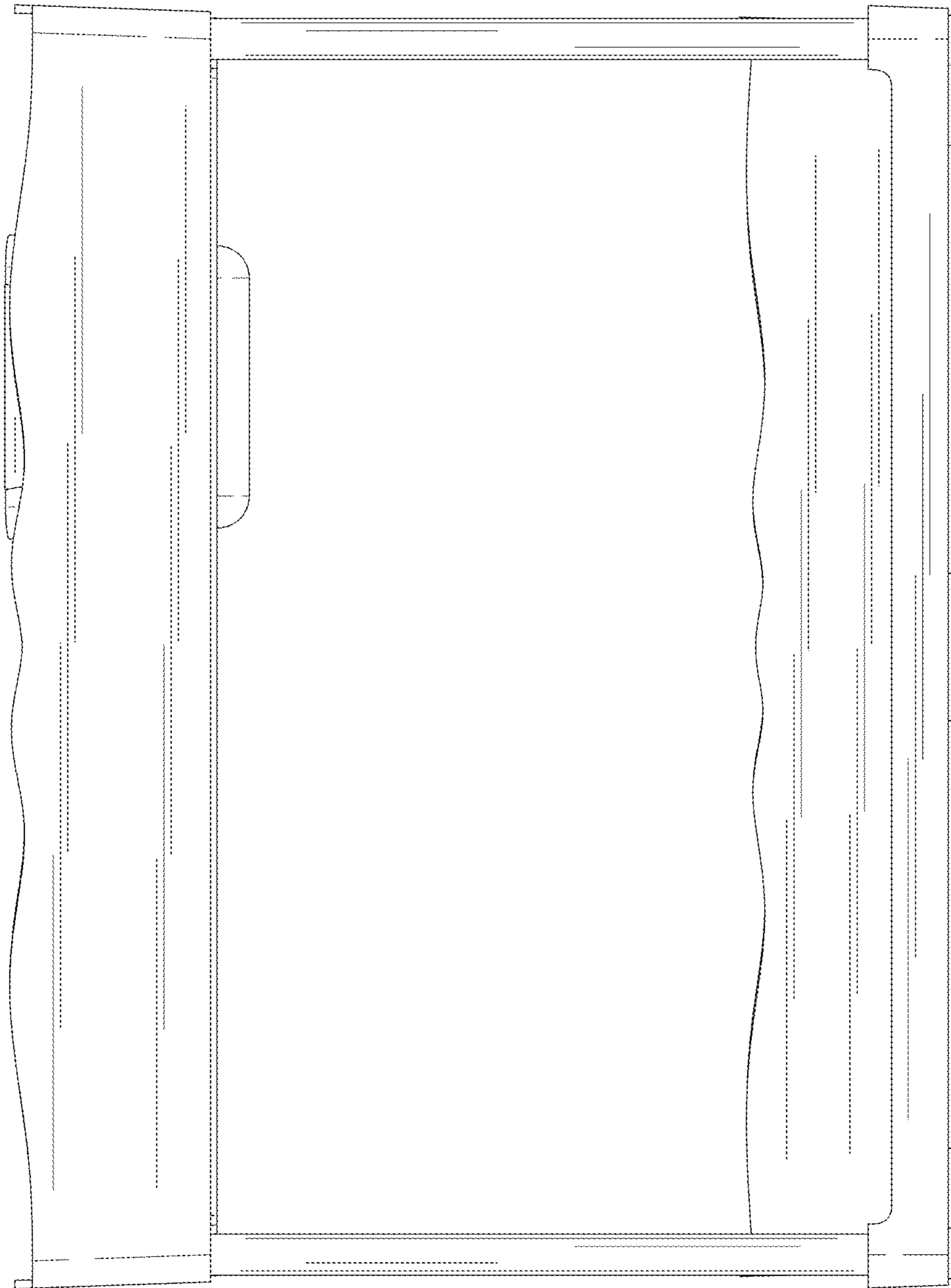


FIG. 4

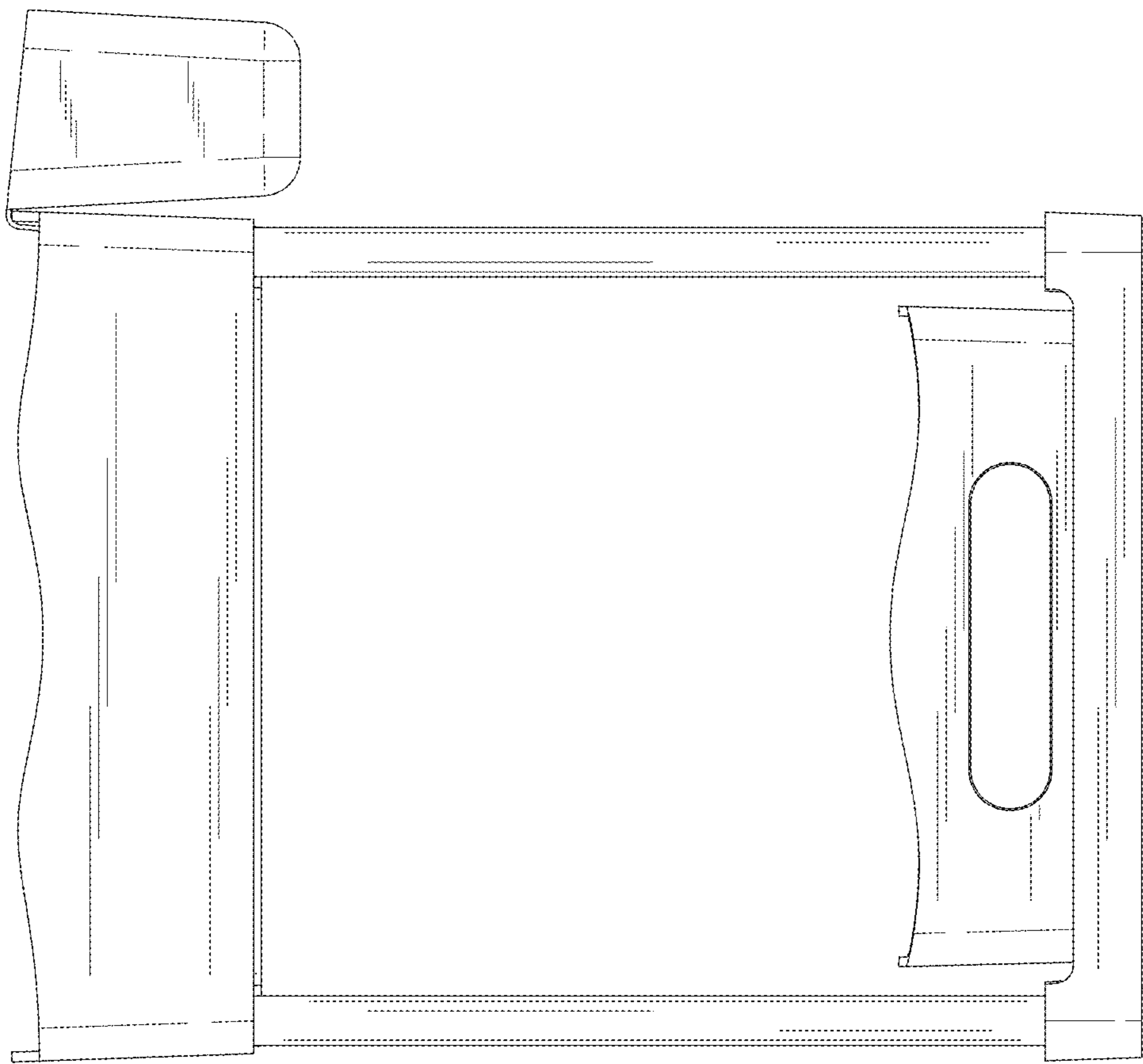


FIG. 5

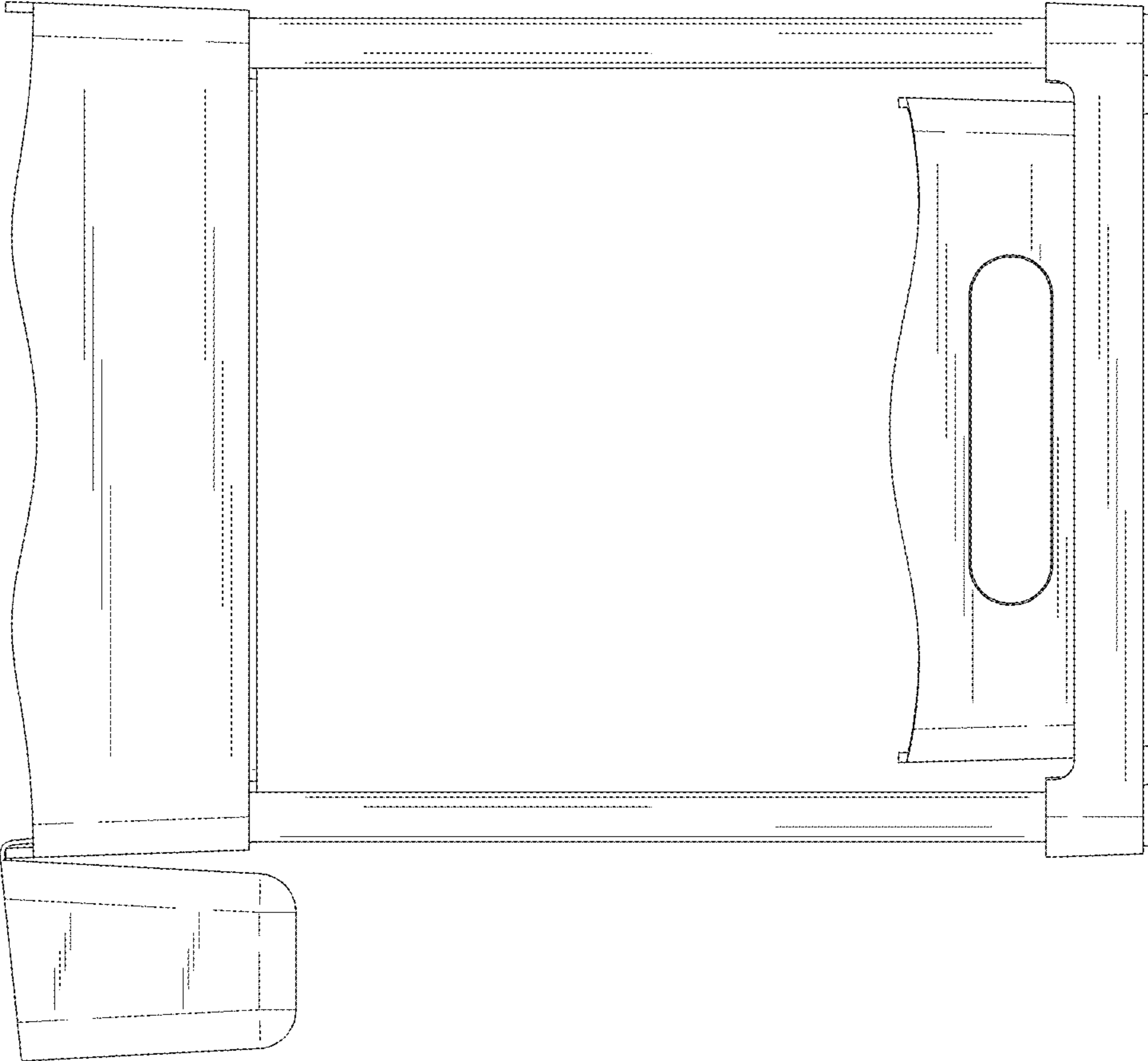


FIG. 6

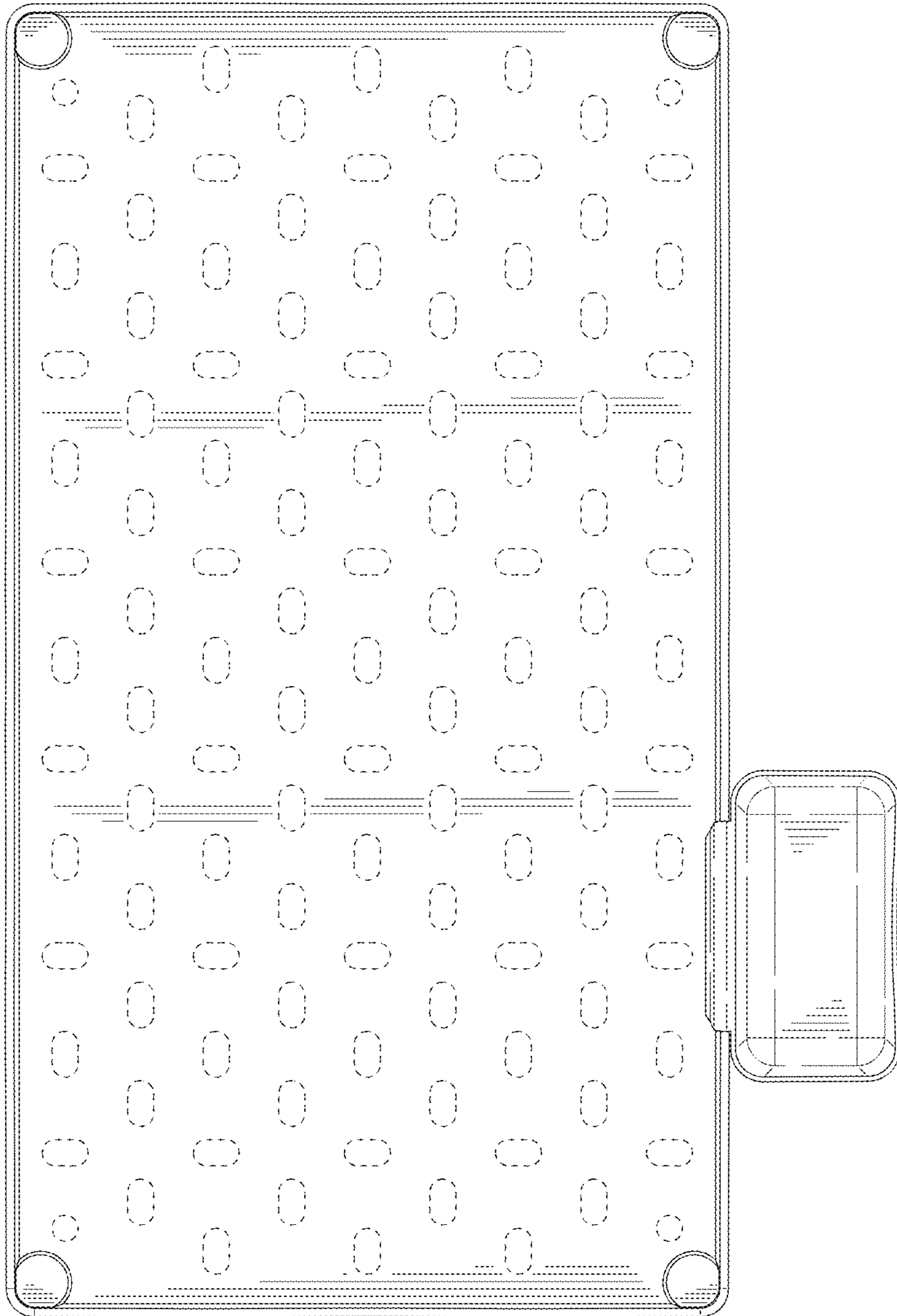


FIG. 7



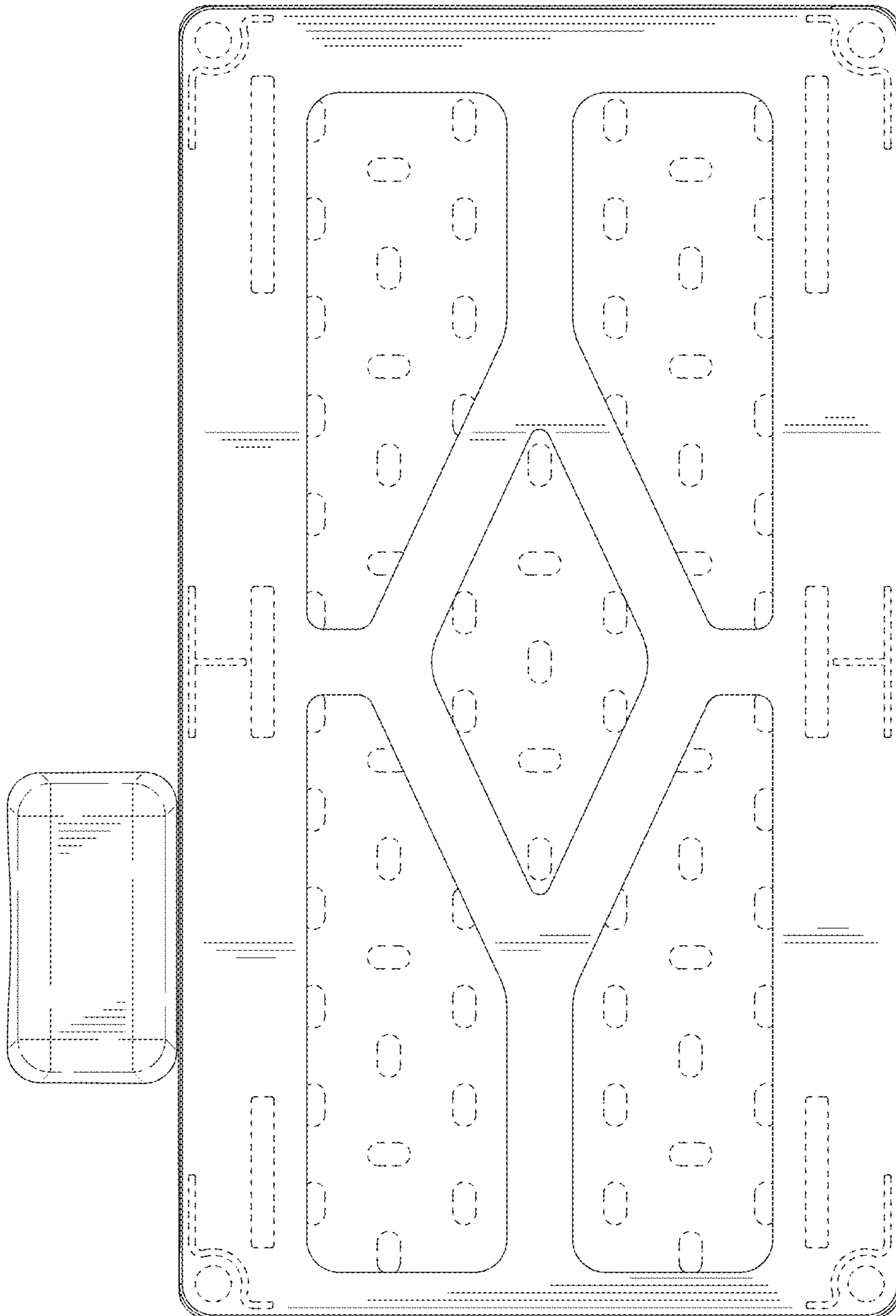


FIG. 8

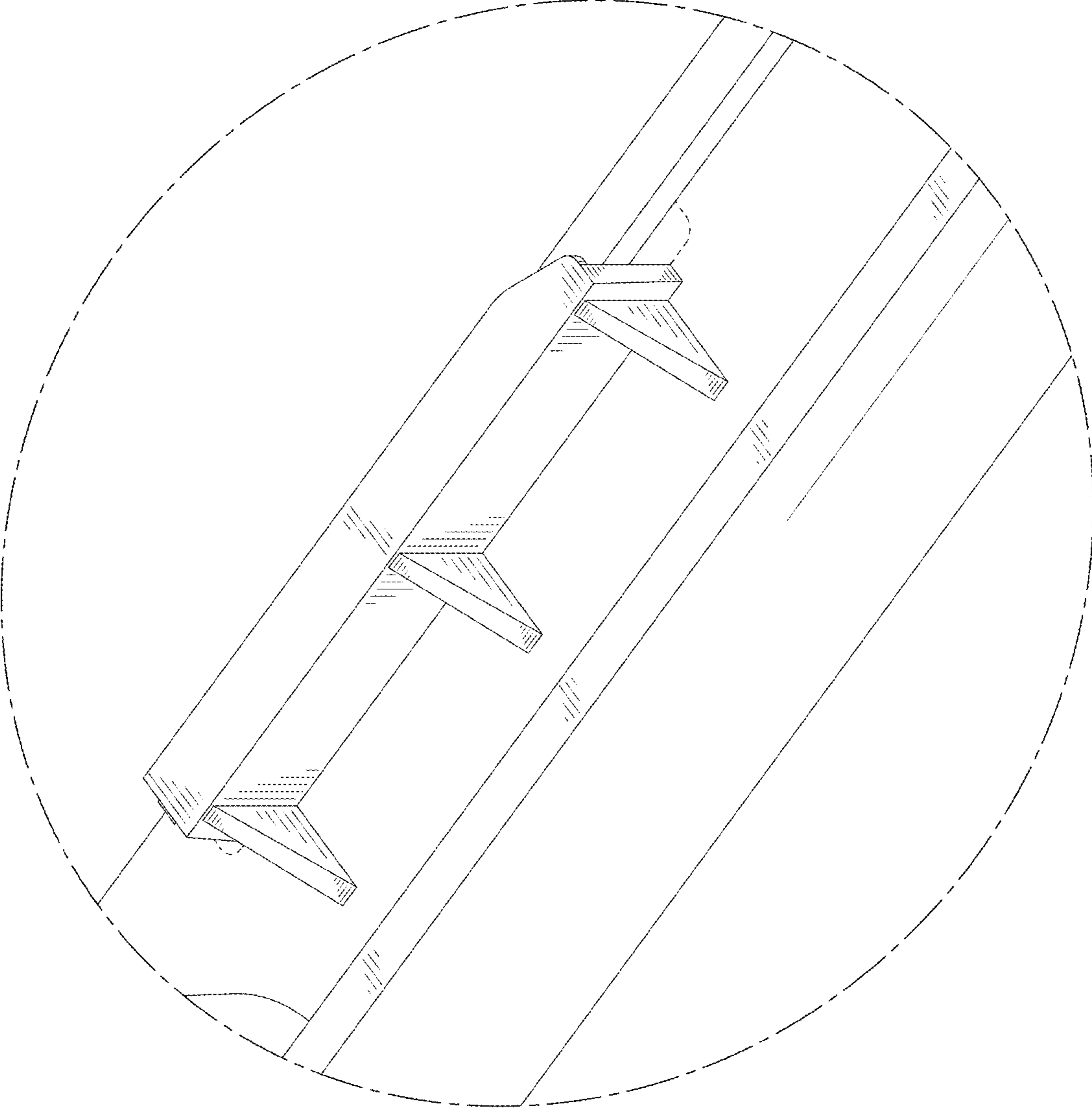


FIG. 9

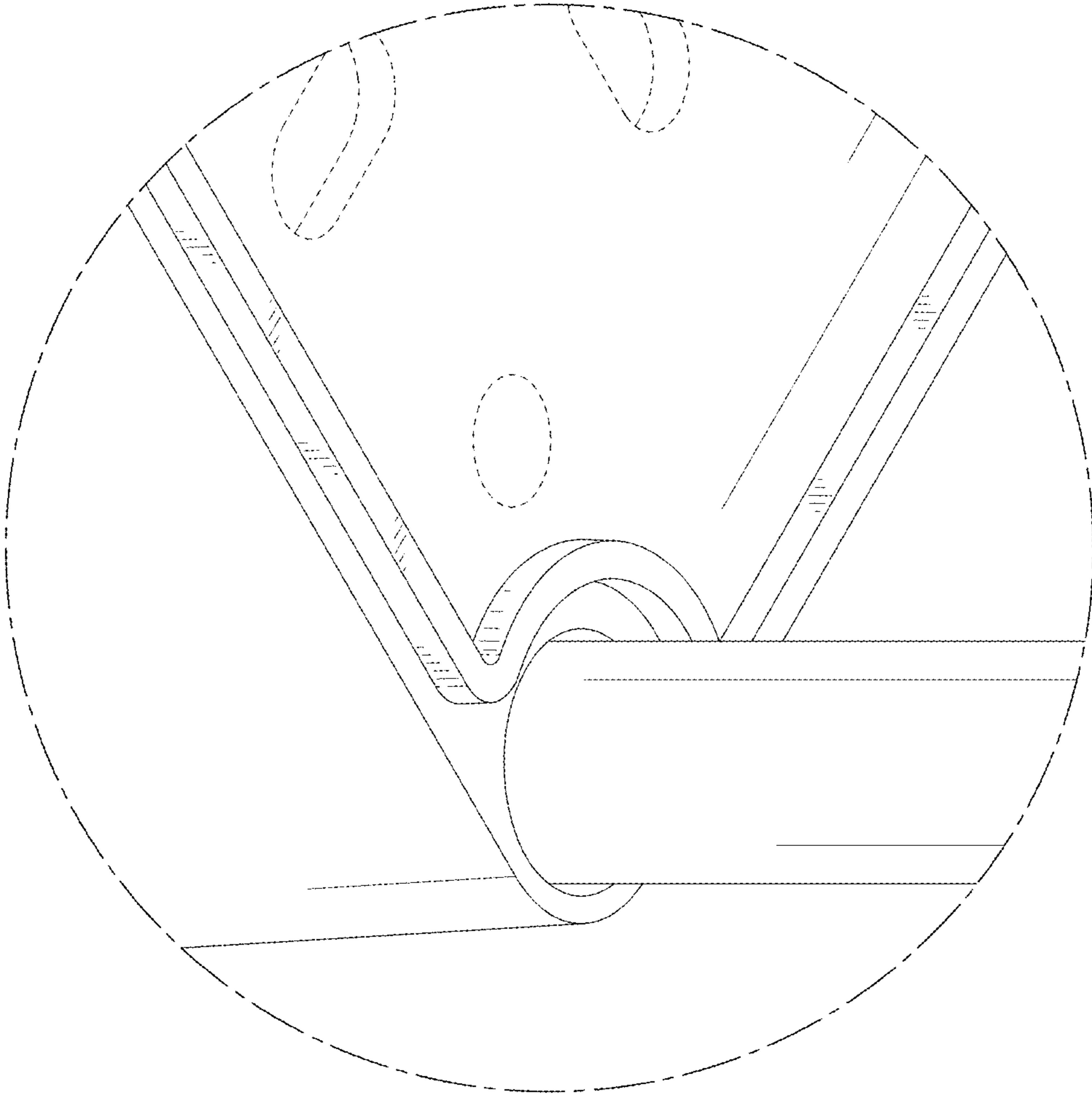


FIG. 10

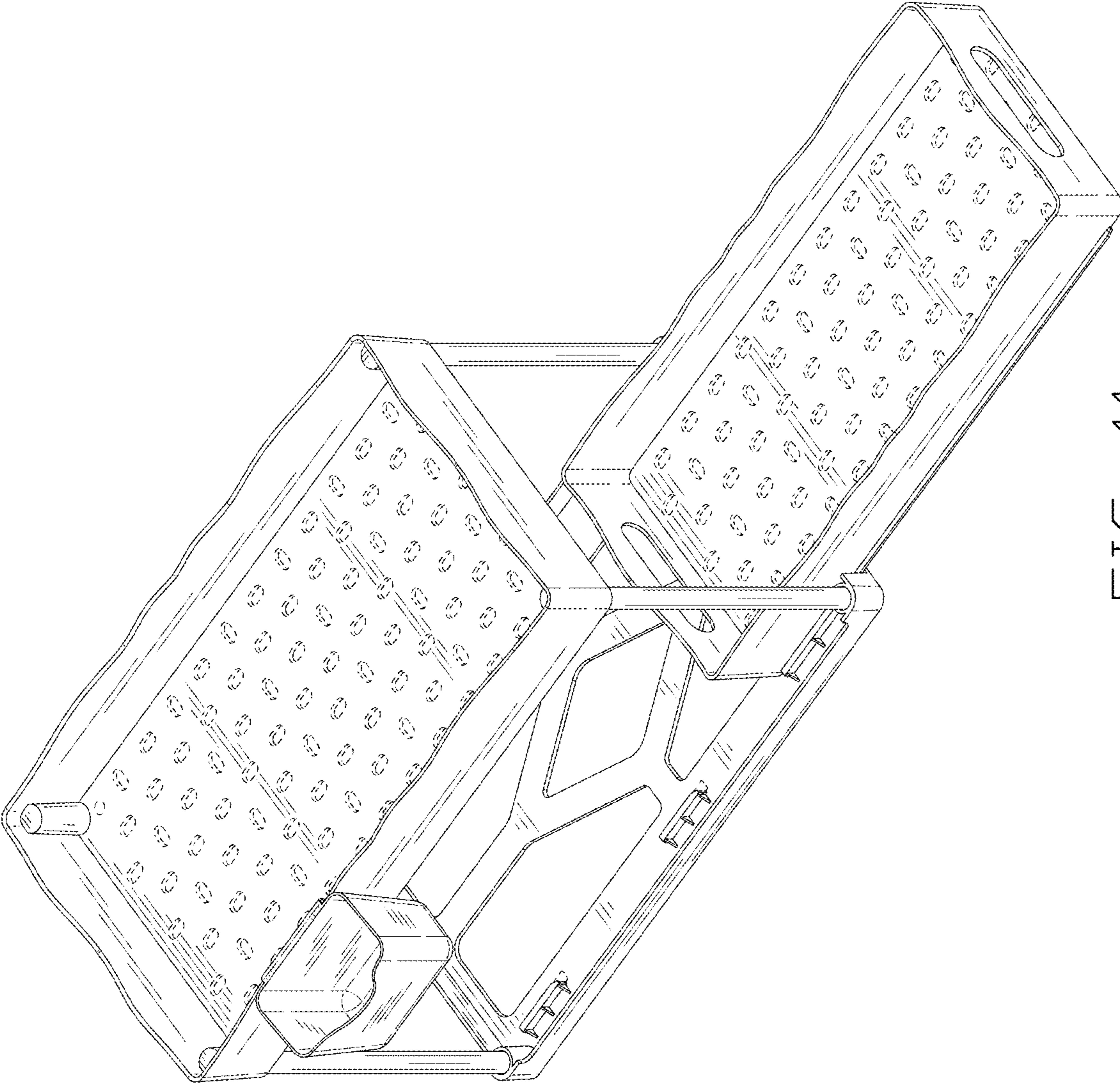


FIG. 11

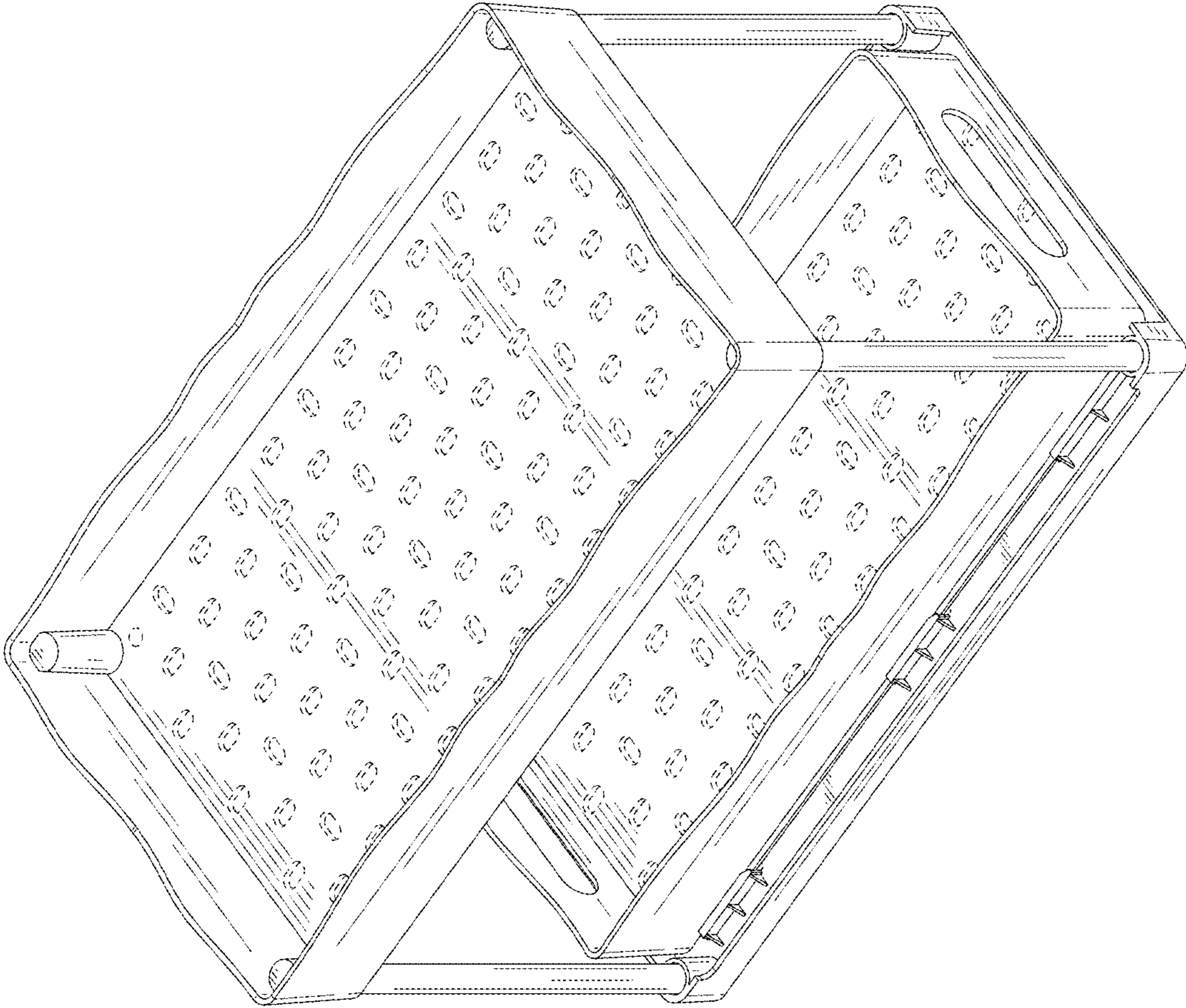


FIG. 12