



US00D970268S

(12) **United States Design Patent** (10) **Patent No.:** **US D970,268 S**
Fan (45) **Date of Patent:** **** Nov. 22, 2022**

(54) **UTILITY RACK**
(71) Applicant: **Shujun Zhao**, Shanxi (CN)
(72) Inventor: **Dong Fan**, Shanxi (CN)
(**) Term: **15 Years**
(21) Appl. No.: **29/822,892**
(22) Filed: **Jan. 12, 2022**
(51) **LOC (13) Cl.** **06-06**
(52) **U.S. Cl.**
USPC **D6/675.2**
(58) **Field of Classification Search**
USPC D6/672, 675, 675.1, 675.2, 675.3, 683.1;
D32/55
CPC .. A47F 5/00; A47F 5/0056; A47F 5/13; A47F
7/00; A47F 5/01; A47F 5/0018; B65D
1/38; B65D 1/22; A47J 47/16; A47B
81/00
See application file for complete search history.

D626,356 S 11/2010 Ho
D630,397 S * 1/2011 Molayem D6/678.4
D699,986 S * 2/2014 Tsai D6/675.4
D769,073 S * 10/2016 Lipper McCauley D7/600.4
D781,621 S * 3/2017 Nava D6/675.2
D862,823 S * 10/2019 Zhao D32/55
D894,091 S 8/2020 Morris
D899,722 S * 10/2020 Yang D32/55
D914,407 S * 3/2021 Greenwood D6/675.1
D923,369 S * 6/2021 Su D6/675.2
D926,489 S * 8/2021 Sabounjian D7/704
D928,442 S * 8/2021 Zhan D32/55
D930,930 S * 9/2021 Tan D32/55
D944,042 S * 2/2022 Chen D6/675.2
D950,280 S * 5/2022 Li D6/675.2
11,317,766 B2 * 5/2022 Groll A47J 47/16
D957,775 S * 7/2022 Lien D32/55
D957,779 S * 7/2022 Zang D32/55
D958,596 S * 7/2022 Wong D7/409

* cited by examiner

Primary Examiner — Kelley A Donnelly
(74) *Attorney, Agent, or Firm* — Che-Yang Chen; Law
Office of Michael Chen

(56) **References Cited**

U.S. PATENT DOCUMENTS

D214,603 S * 7/1969 Cohen D6/675.2
4,191,160 A * 3/1980 Elliott F24B 1/205
99/450
D278,196 S * 4/1985 Koves D6/675.2
D288,266 S * 2/1987 Campbell D6/675.2
D317,094 S * 5/1991 Weinberg D6/675.5
D321,609 S * 11/1991 Dardashti D6/675.2
D326,946 S * 6/1992 Szuster D6/675.2
D330,987 S * 11/1992 Rosenthal D6/567
D354,181 S * 1/1995 Smith D6/675.2
D364,288 S * 11/1995 Kramer D7/704
5,638,809 A * 6/1997 Wienhold F24C 15/16
126/29
5,823,100 A * 10/1998 Wienhold F24C 15/16
248/172

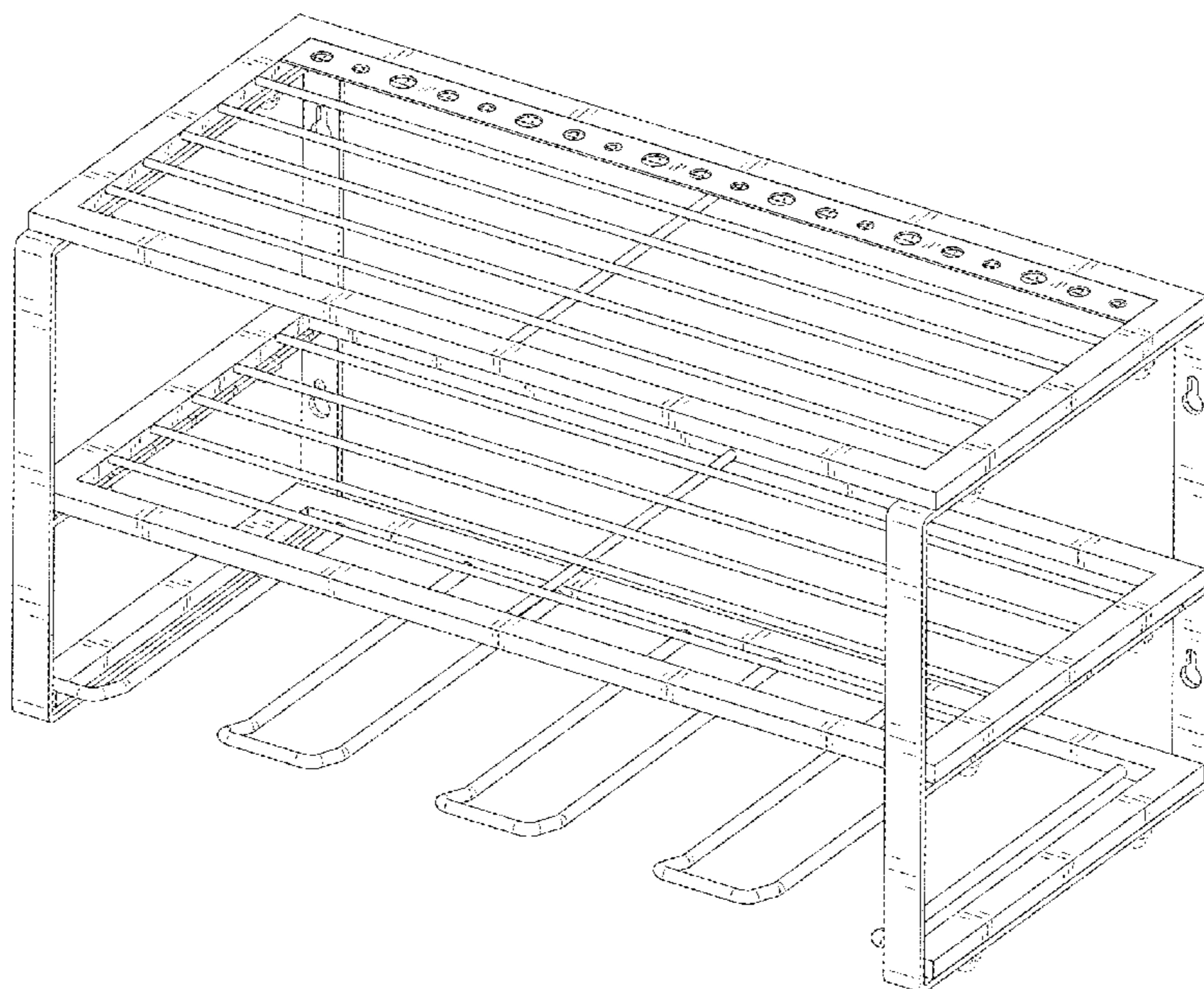
(57) **CLAIM**

The ornamental design for a utility rack, as shown and described.

DESCRIPTION

FIG. 1 is a perspective view of the utility rack showing my new design;
FIG. 2 is a perspective view thereof from another angle;
FIG. 3 is a front elevational view thereof;
FIG. 4 is a rear elevational view thereof;
FIG. 5 is a left side elevational view thereof;
FIG. 6 is a right side elevational view thereof;
FIG. 7 is a top plan view thereof; and,
FIG. 8 is a bottom plan view thereof.

1 Claim, 8 Drawing Sheets



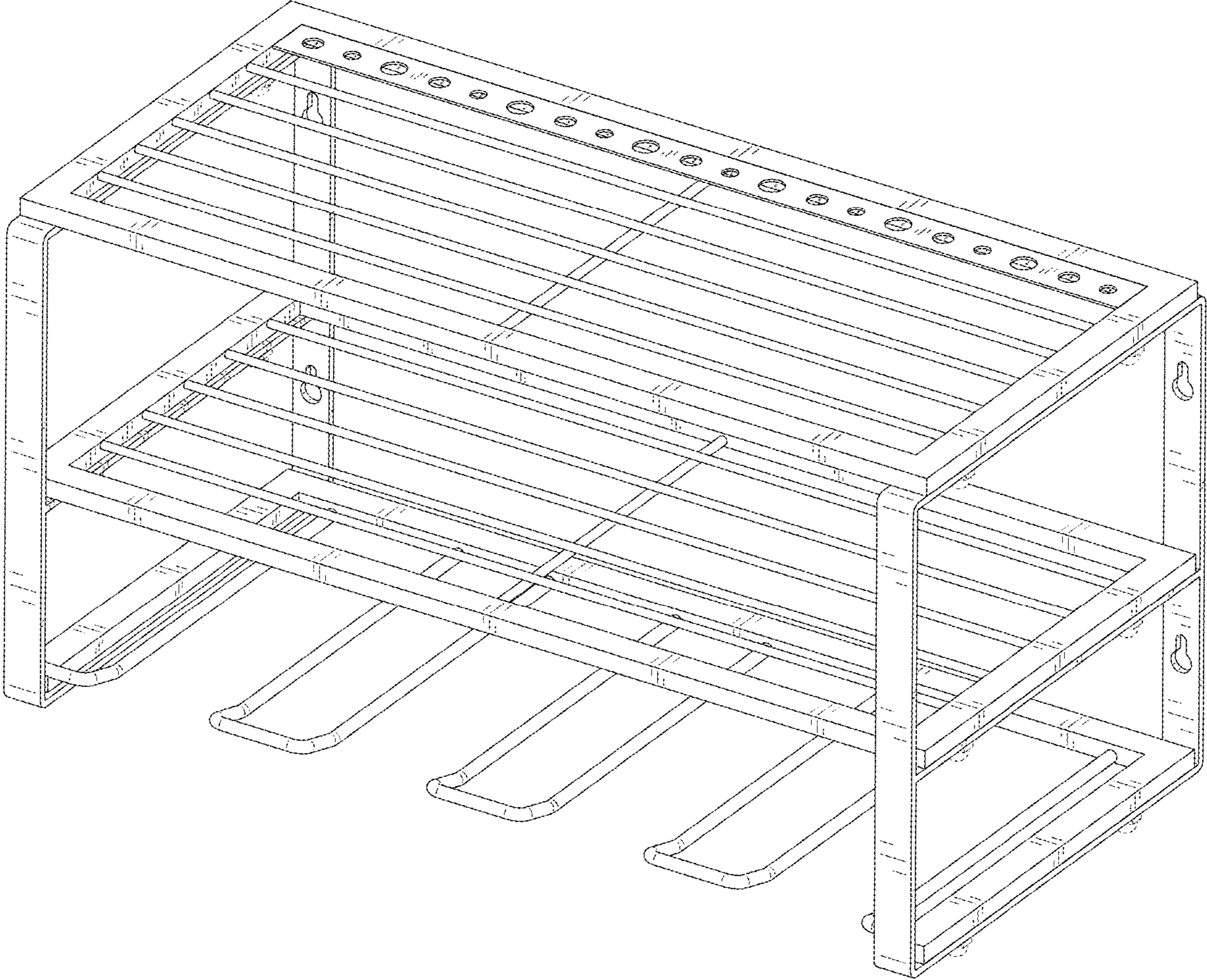


FIG. 1

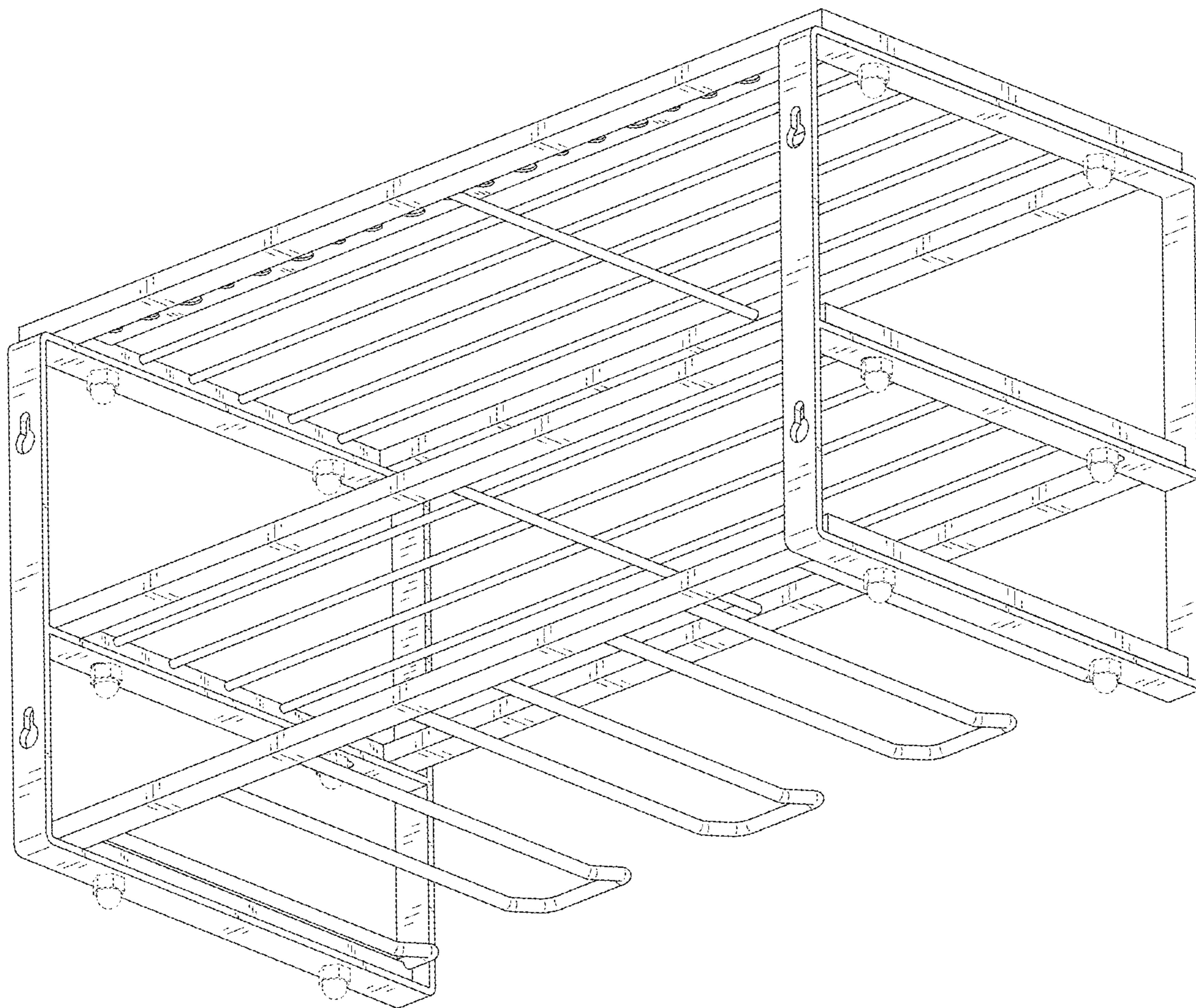


FIG. 2

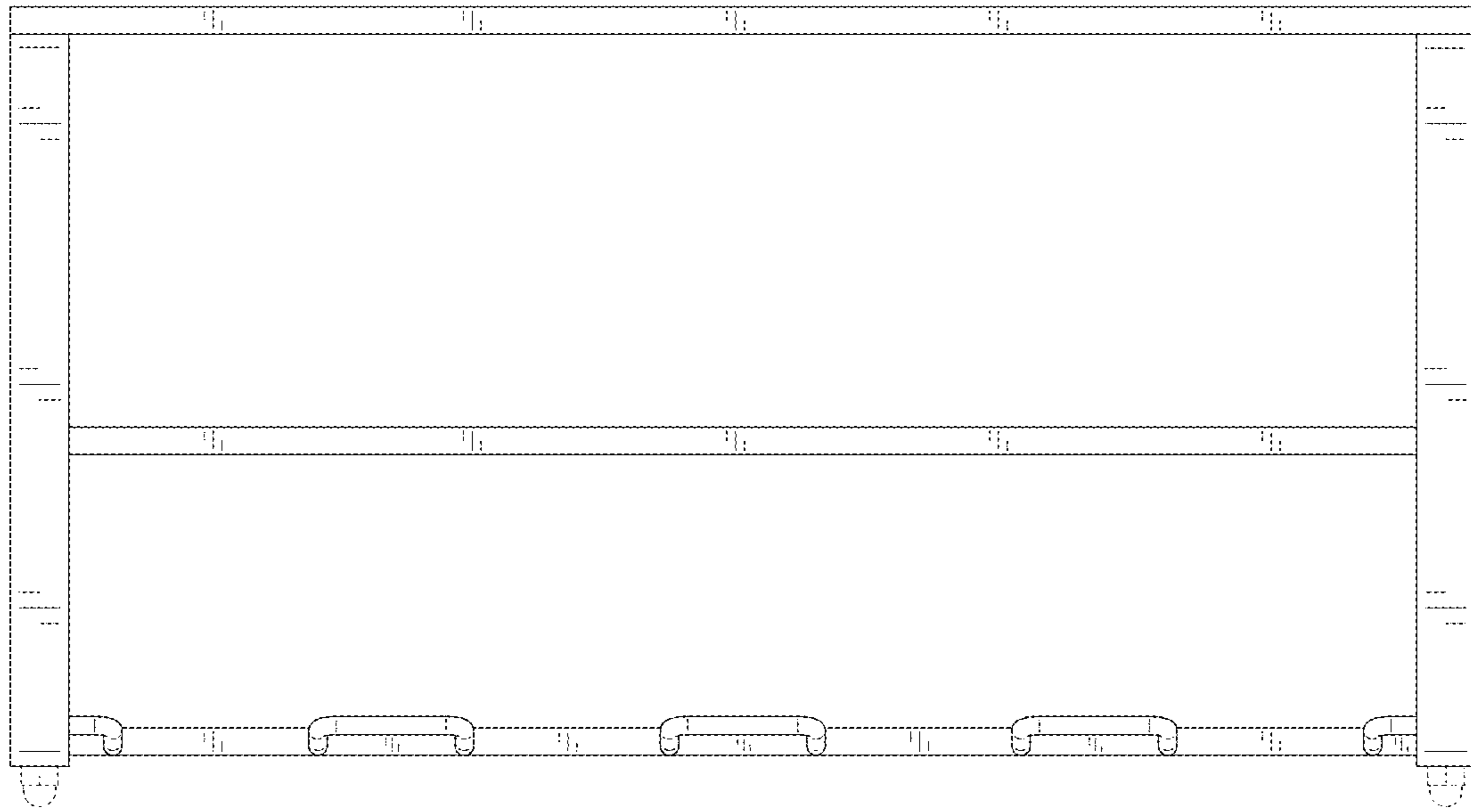


FIG. 3

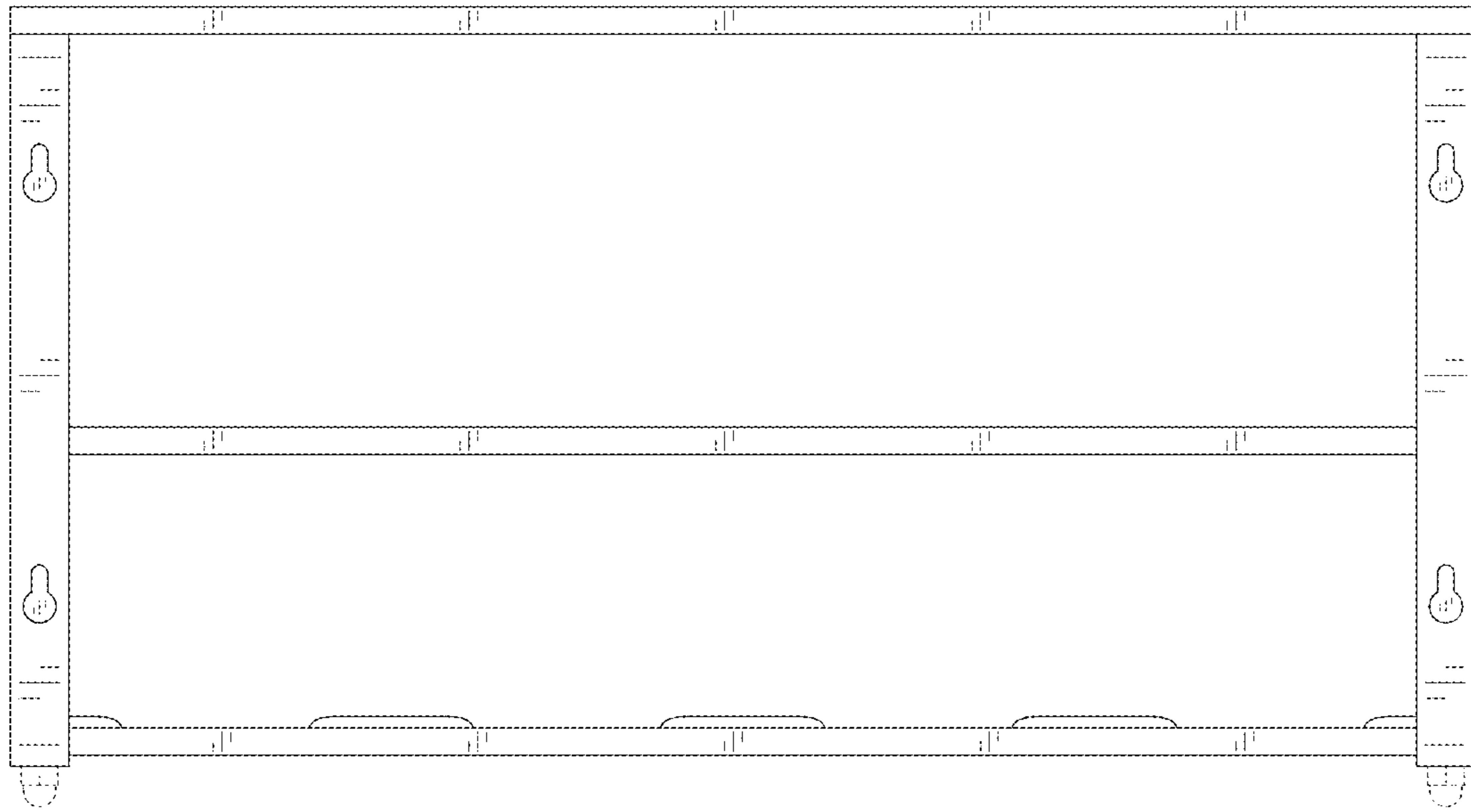


FIG. 4

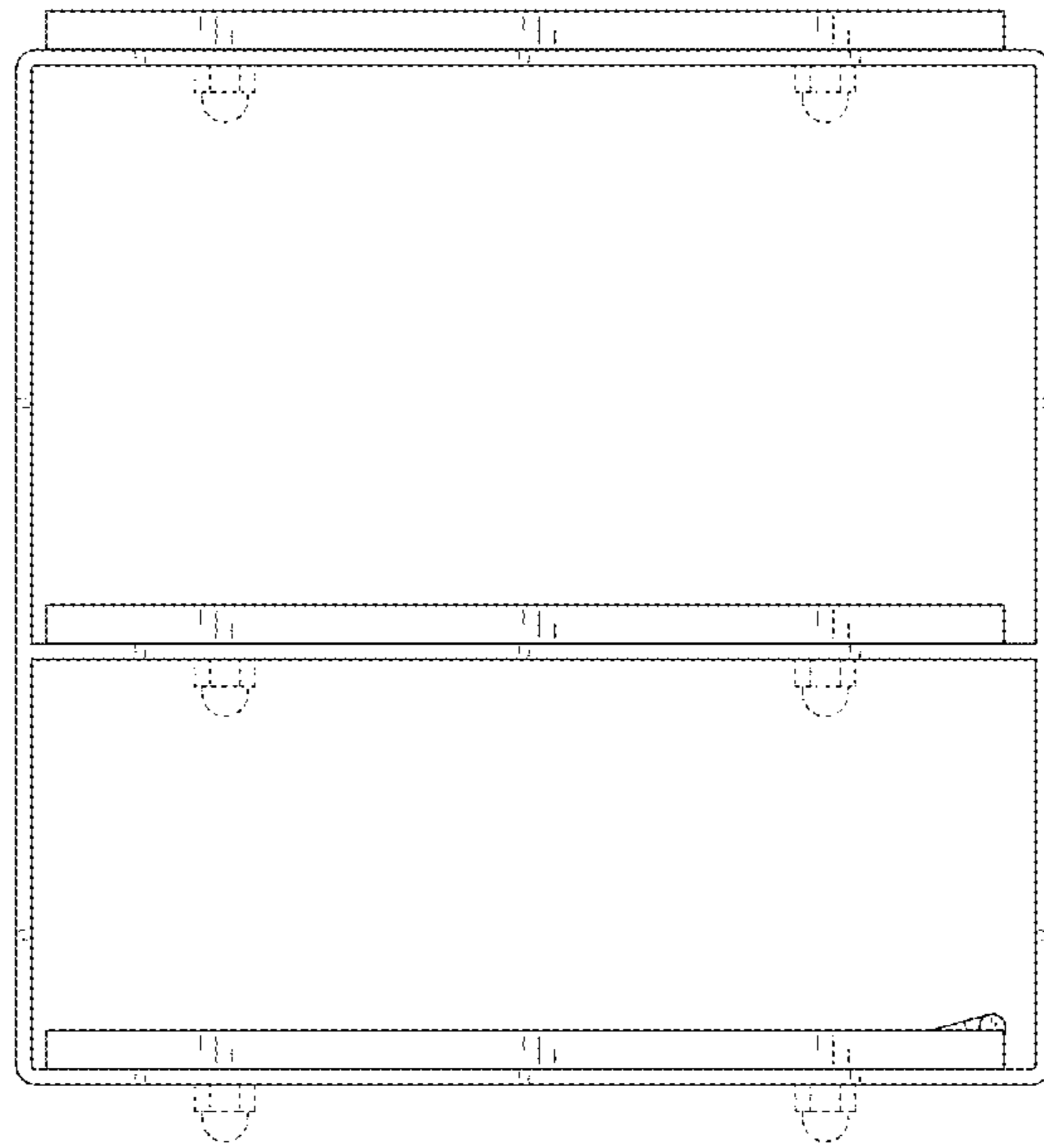


FIG. 5

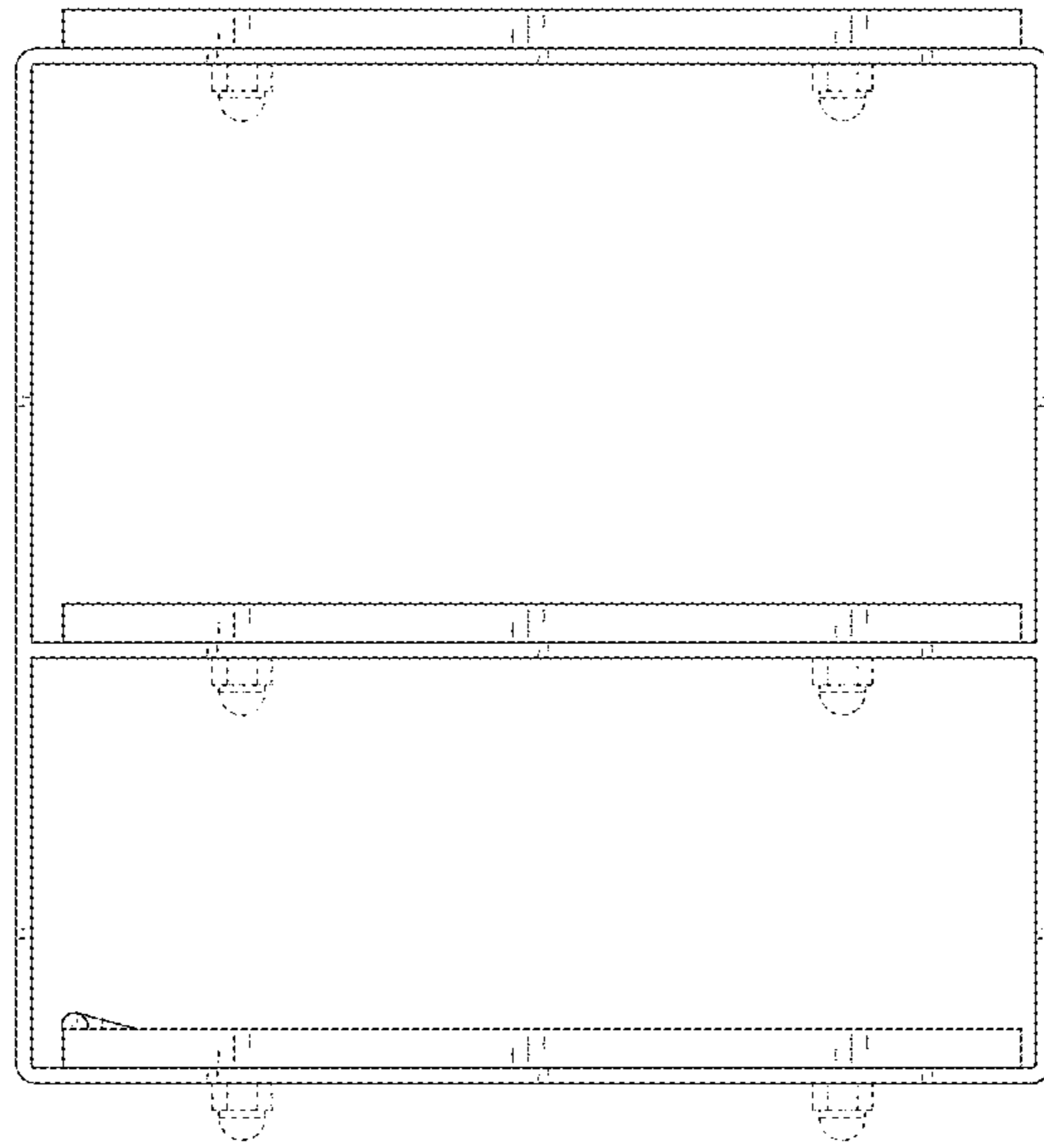


FIG. 6

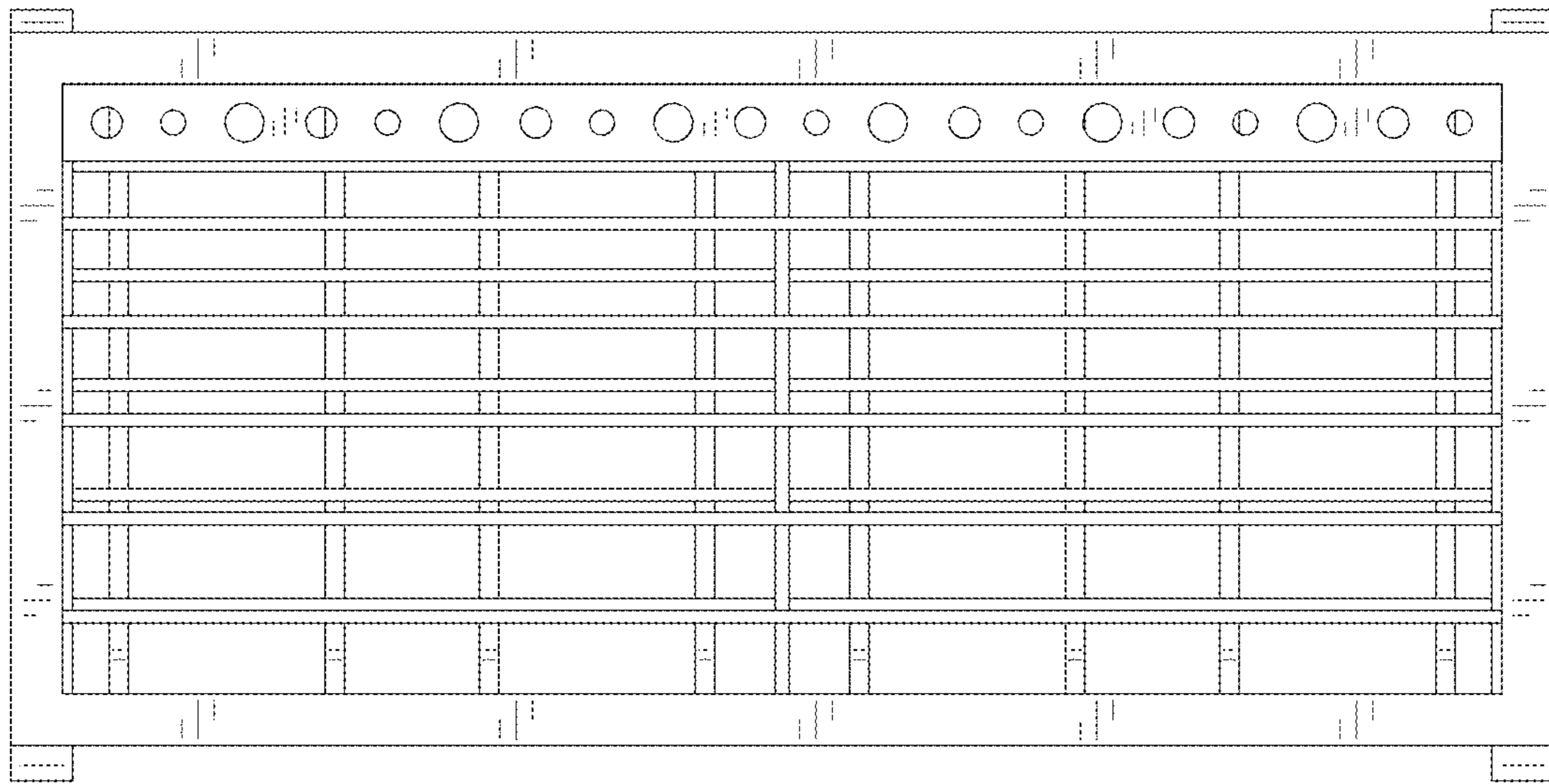


FIG. 7

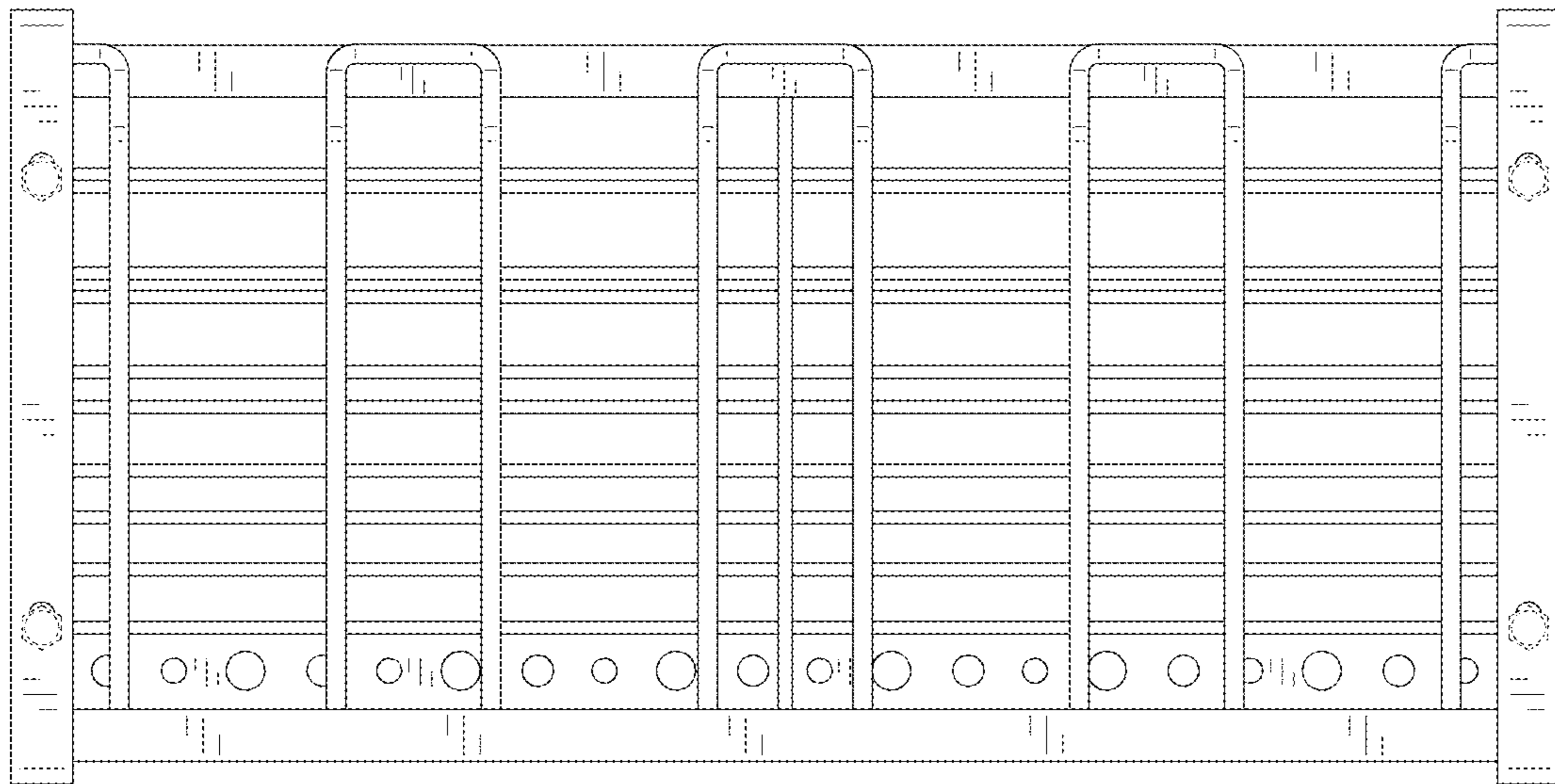


FIG. 8