



US00D970265S

(12) **United States Design Patent**
Zheng

(10) **Patent No.:** **US D970,265 S**

(45) **Date of Patent:** **** Nov. 22, 2022**

(54) **STORAGE LOCKER**

(71) Applicant: **Yaping Zheng**, Zhejiang (CN)

(72) Inventor: **Yaping Zheng**, Zhejiang (CN)

(**) Term: **15 Years**

(21) Appl. No.: **29/836,957**

(22) Filed: **Apr. 29, 2022**

(30) **Foreign Application Priority Data**

Jan. 8, 2022 (CN) 202230010617.7

(51) **LOC (13) Cl.** **06-04**

(52) **U.S. Cl.**
USPC **D6/657**; D6/671.1

(58) **Field of Classification Search**
USPC D6/657, 663, 664, 671, 671.1, 671.2,
D6/671.3, 671.4, 661, 705, 705.5, 705.6
CPC A47B 47/00; A47B 17/04; A47B 45/00;
A47B 47/03; A47B 47/04; A47B 63/00;
A47B 67/00; A47B 67/04; A47B 88/00;
A47B 88/40; A47B 88/42; A47B 81/00
See application file for complete search history.

(56) **References Cited**

U.S. PATENT DOCUMENTS

D47,441 S * 6/1915 Ullin D6/661
D230,446 S * 2/1974 Price D6/657
D283,182 S * 4/1986 Marshall D6/657
D472,737 S * 4/2003 Lucht D6/661
D503,564 S * 4/2005 Juneau D6/671.1
D904,079 S * 12/2020 Davis D6/657
D908,404 S * 1/2021 Davis D6/661
D931,017 S 9/2021 Huang

D948,251 S 4/2022 Li
D949,606 S * 4/2022 Li D6/671.1
D961,305 S * 8/2022 Zheng D6/671.1

* cited by examiner

Primary Examiner — Mimoso De

(74) *Attorney, Agent, or Firm* — ScienBiziP, P.C.

(57) **CLAIM**

The ornamental design for a storage locker, as shown and described.

DESCRIPTION

FIG. 1 is a front, right and top perspective view of a storage locker, showing my design.

FIG. 2 is a rear, left and bottom perspective view thereof.

FIG. 3 is a front elevation view thereof.

FIG. 4 is a rear elevation view thereof.

FIG. 5 is a left side elevation view thereof.

FIG. 6 is a right side elevation view thereof.

FIG. 7 is a top plan view thereof.

FIG. 8 is a bottom plan view thereof.

FIG. 9 is a partial enlarged view of an area labeled 9 in FIG. 1.

FIG. 10 is a partial enlarged view of an area labeled 10 in FIG. 1.

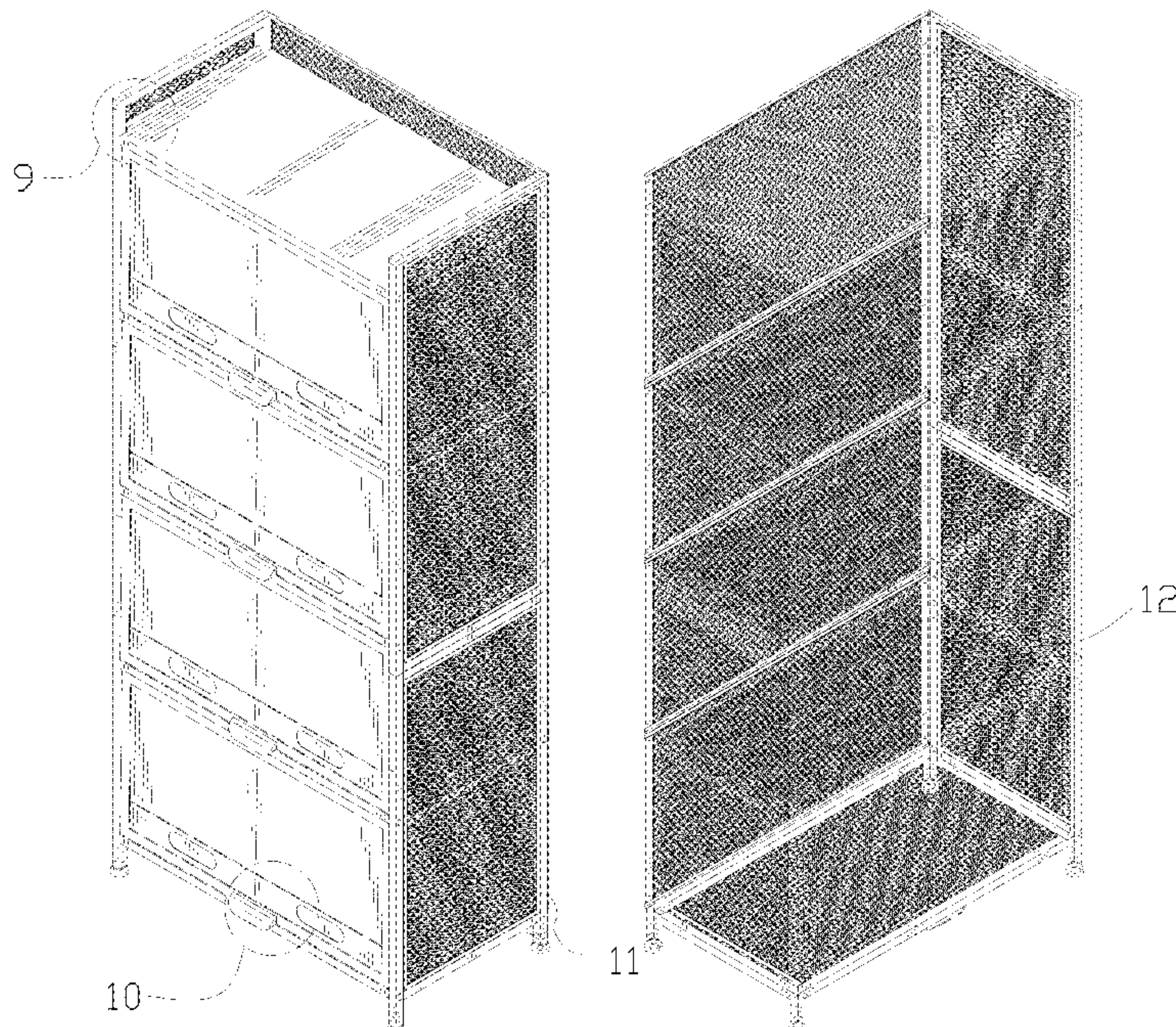
FIG. 11 is a partial enlarged view of an area labeled 11 in FIG. 1; and,

FIG. 12 is a partial enlarged view of an area labeled 12 in FIG. 2.

The broken lines shown in the drawings are included for the purpose of illustrating portions of the storage locker that form no part of the claimed design.

Dot-dash broken lines framing portions of the claimed design that are illustrated for enlargements form no part of the claimed design.

1 Claim, 12 Drawing Sheets



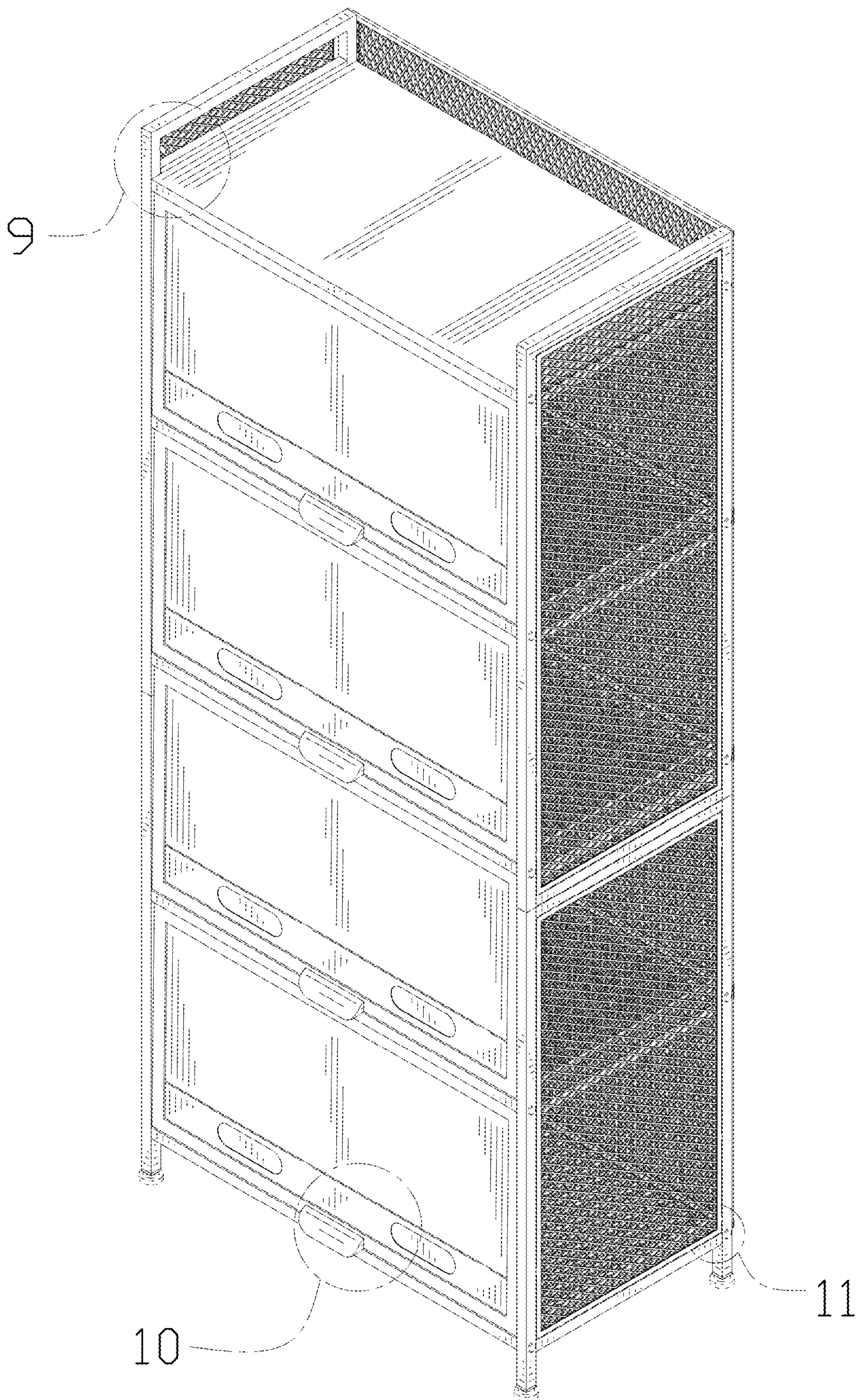


FIG. 1

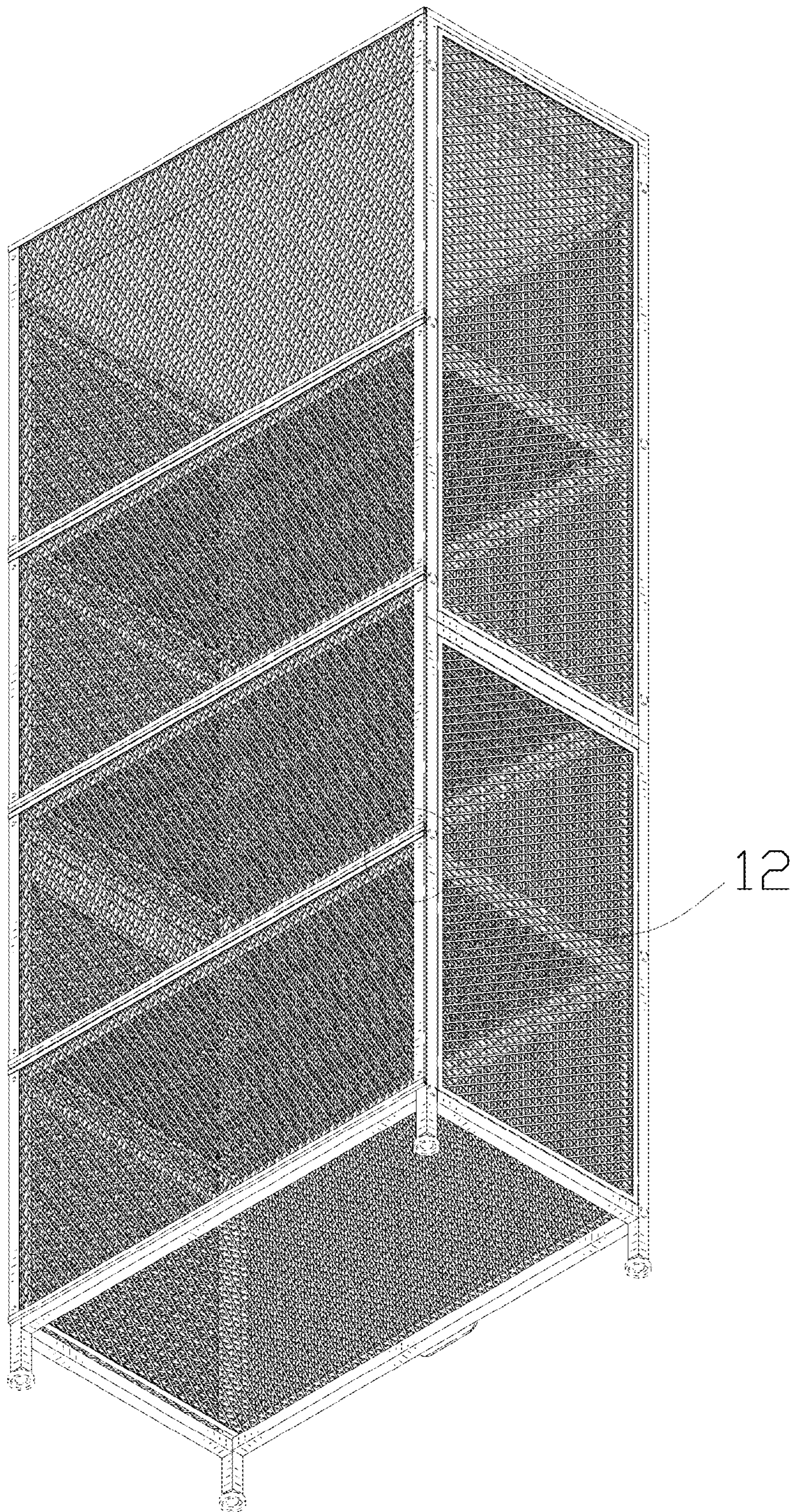


FIG. 2

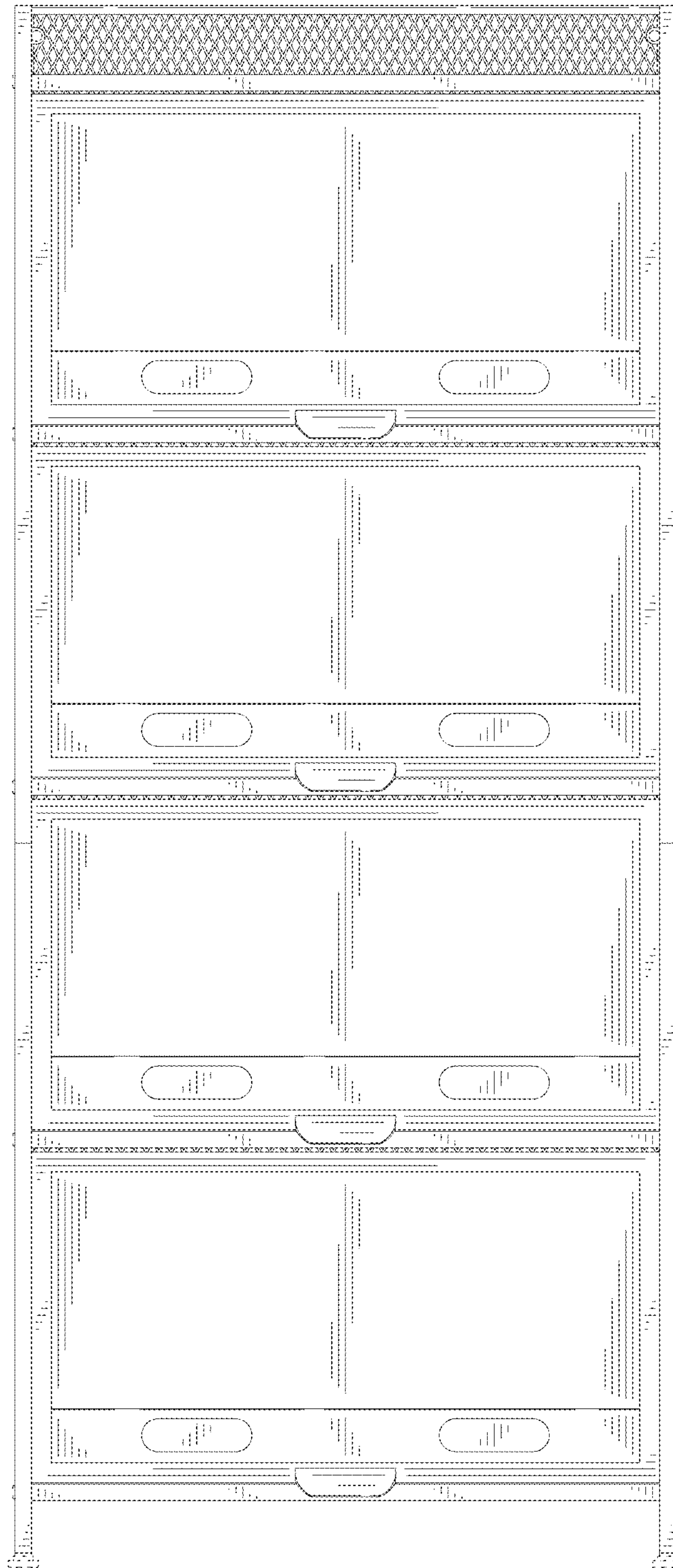


FIG. 3

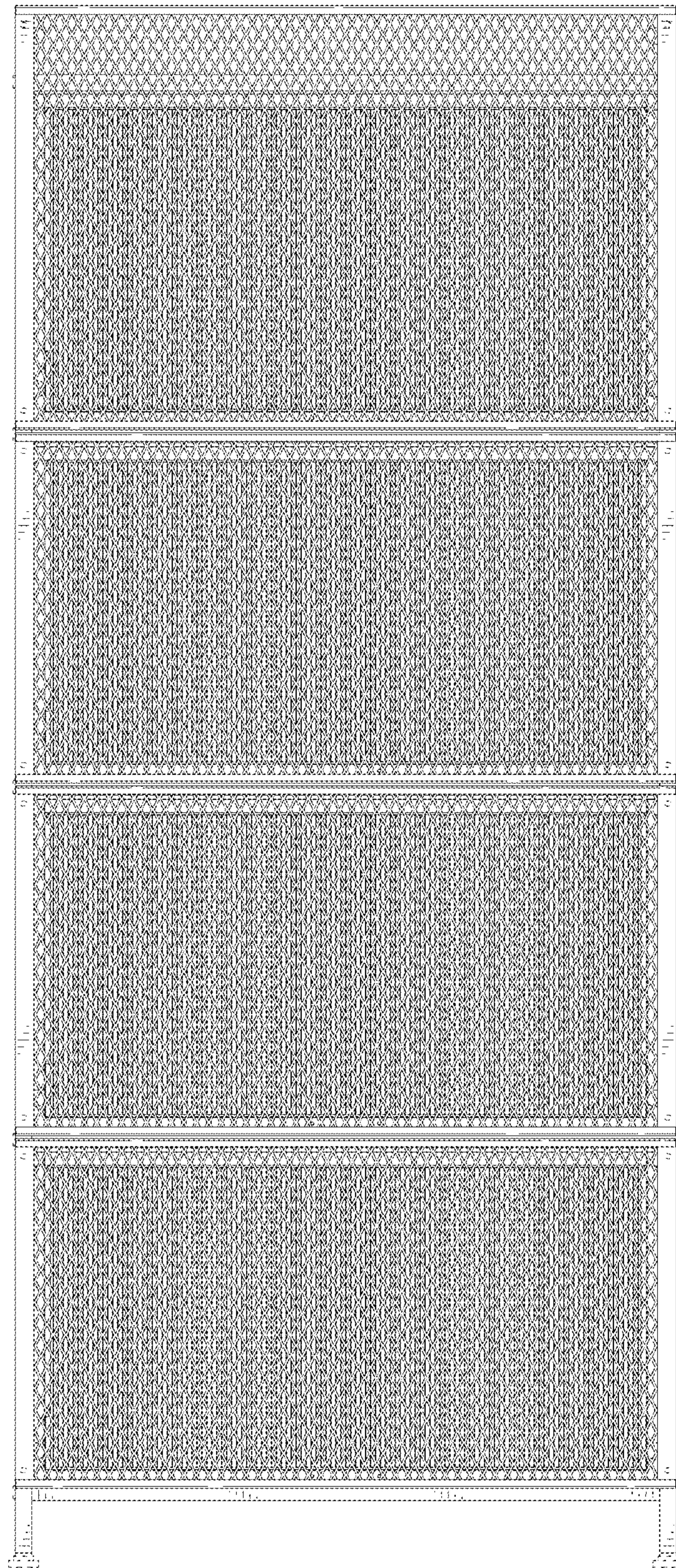


FIG. 4

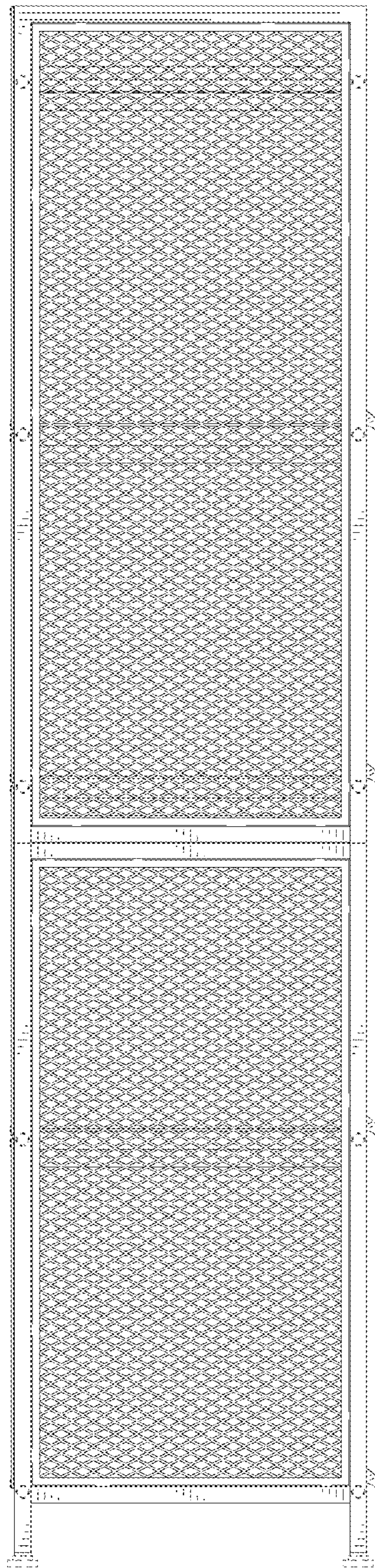


FIG. 5

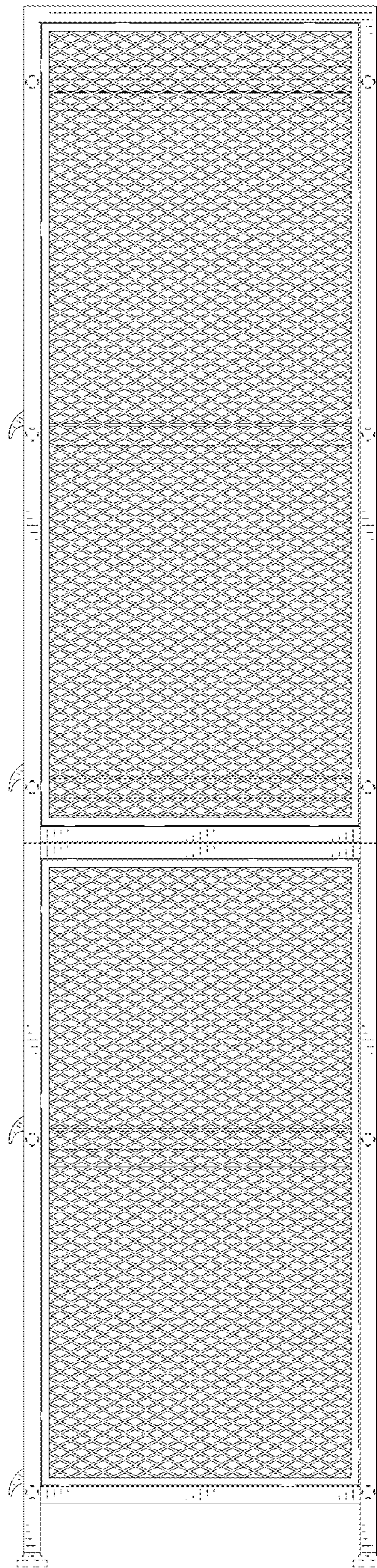


FIG. 6

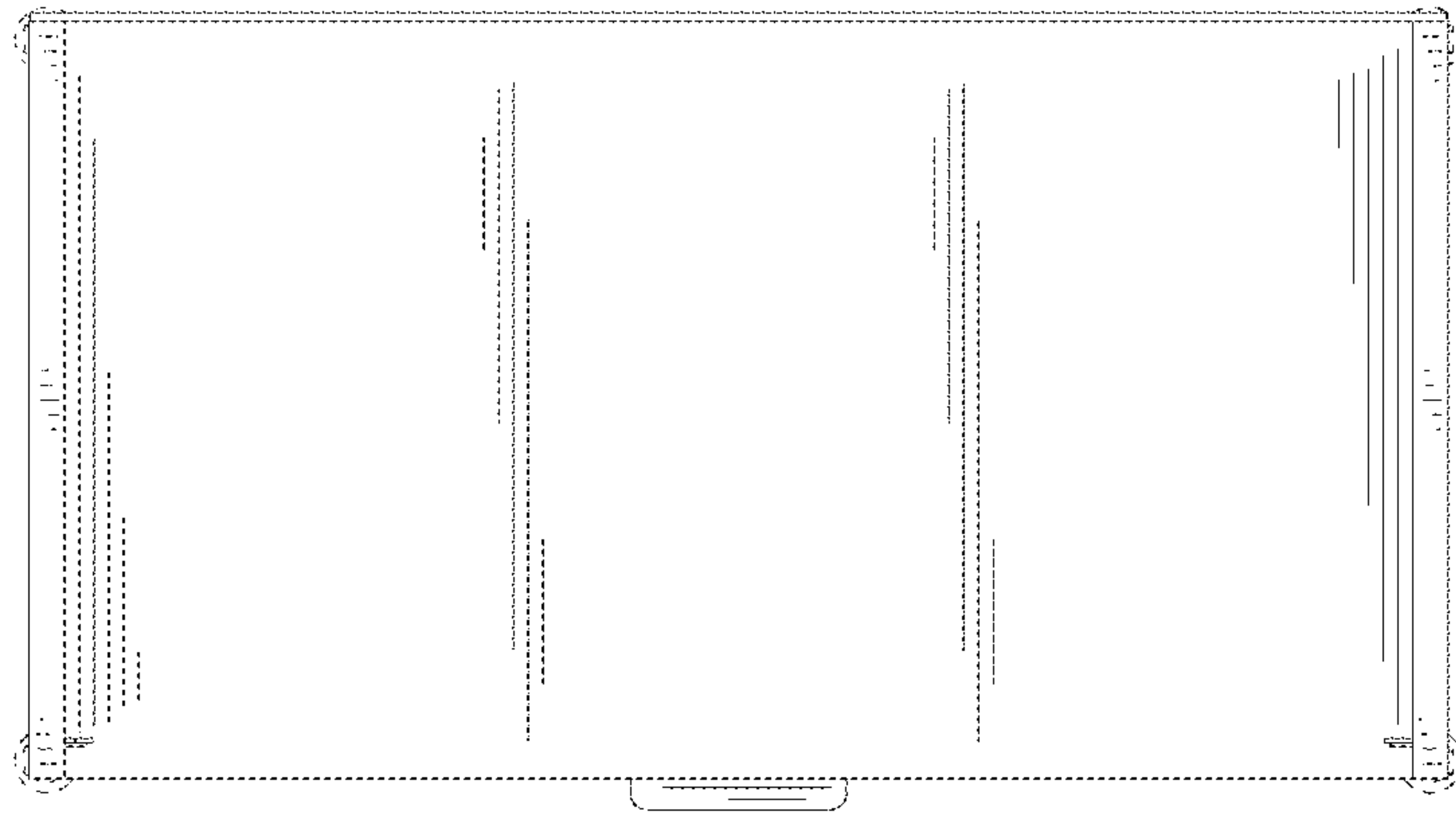


FIG. 7

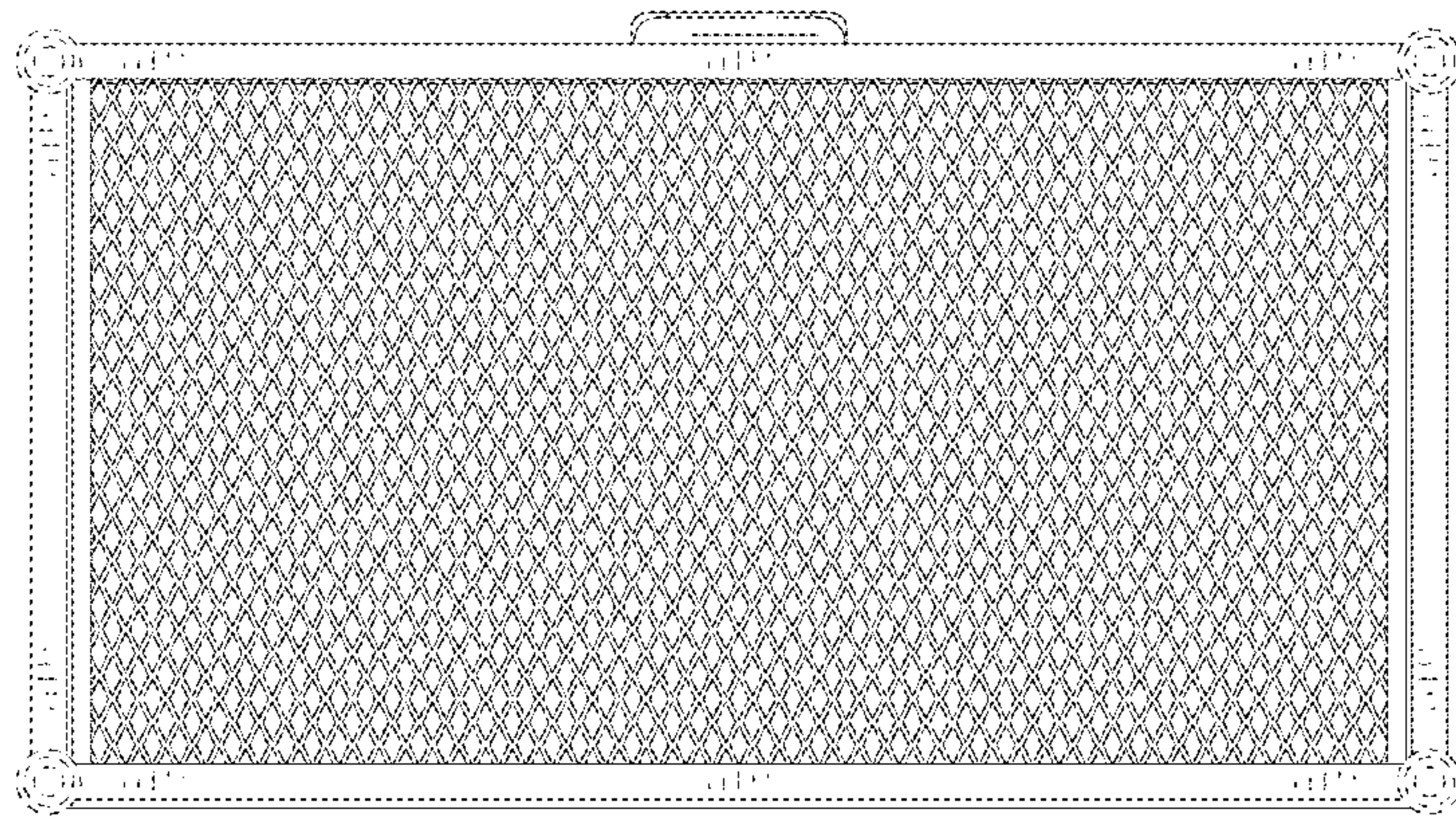


FIG. 8

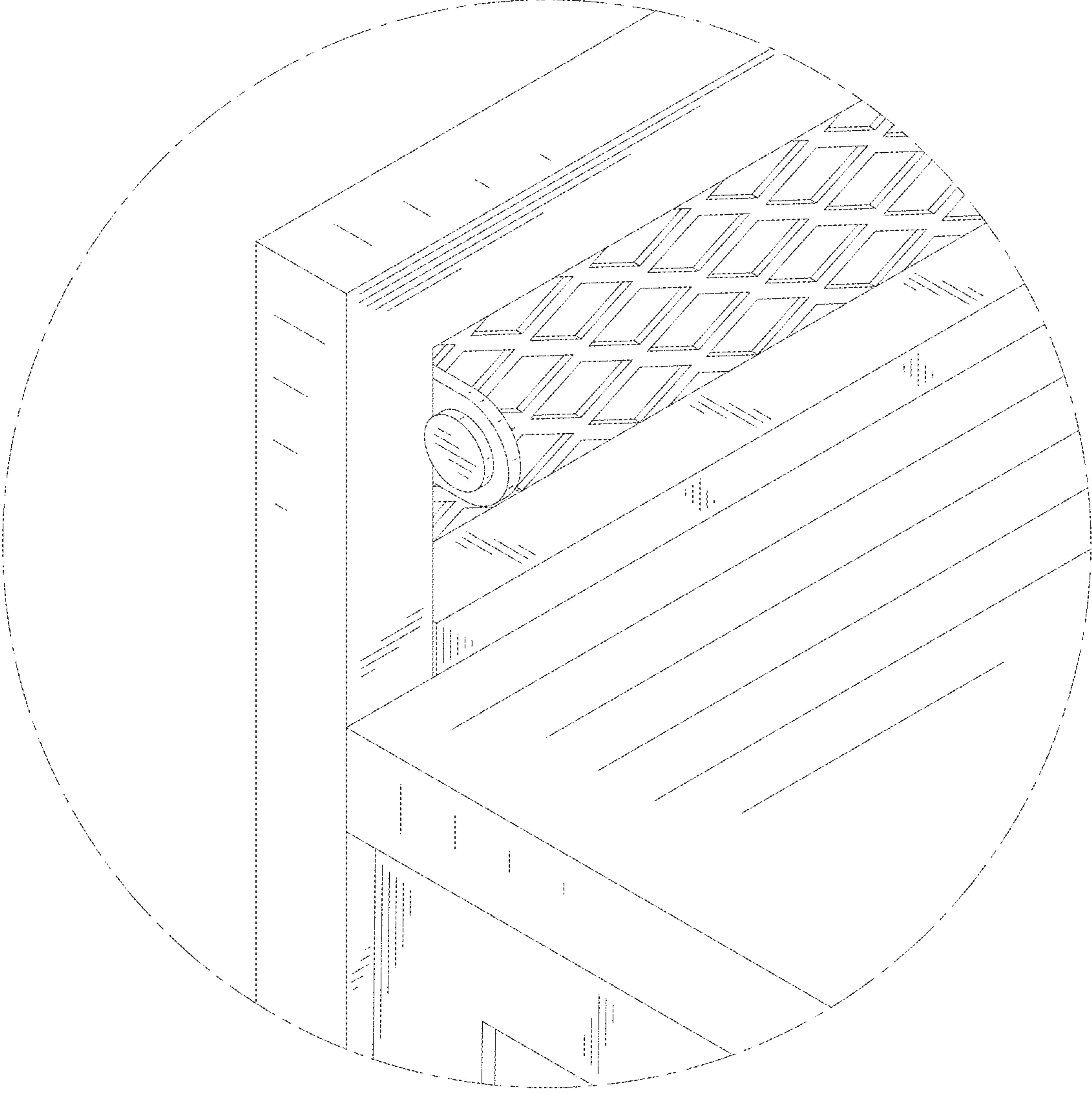


FIG. 9

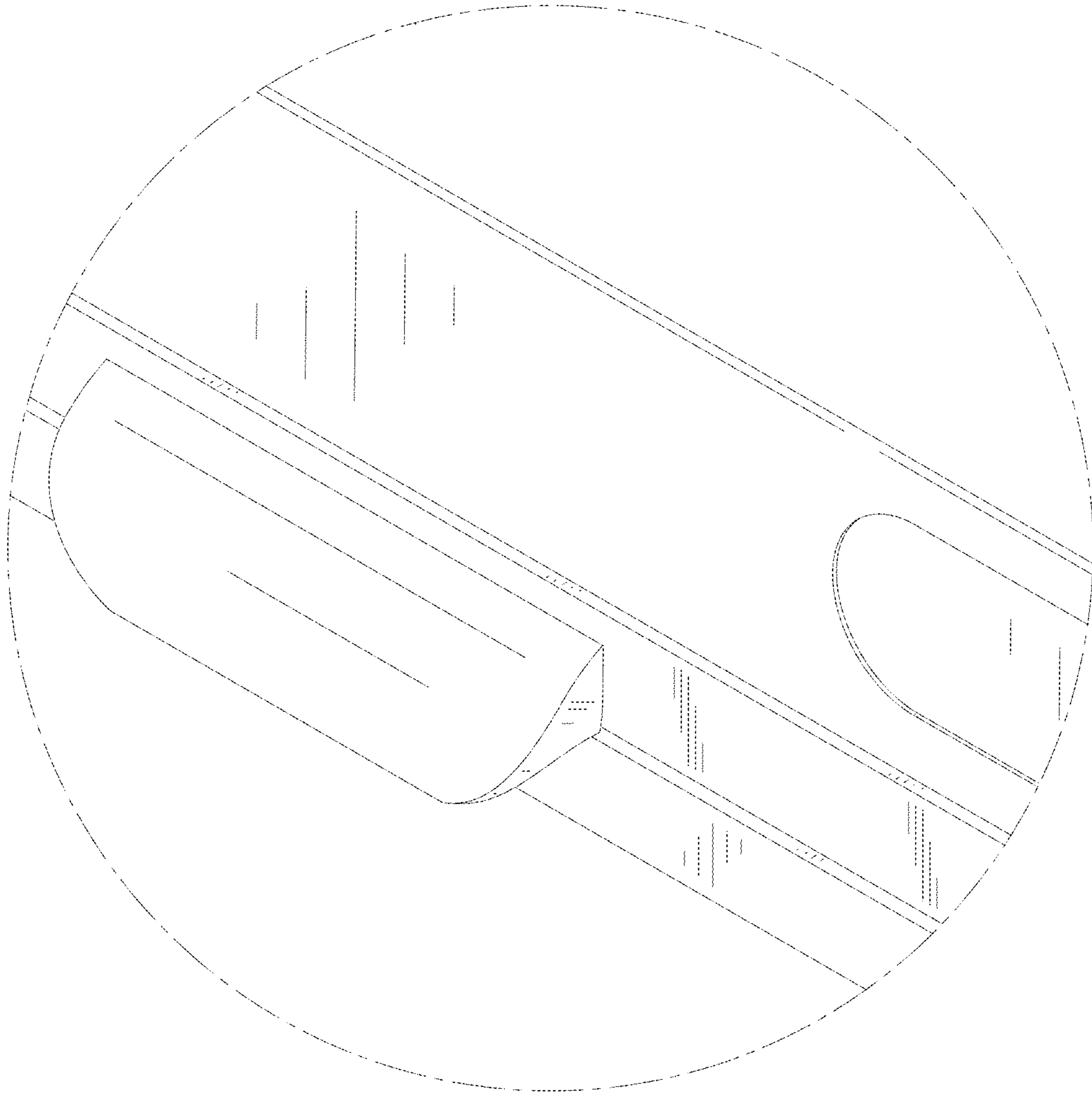


FIG. 10

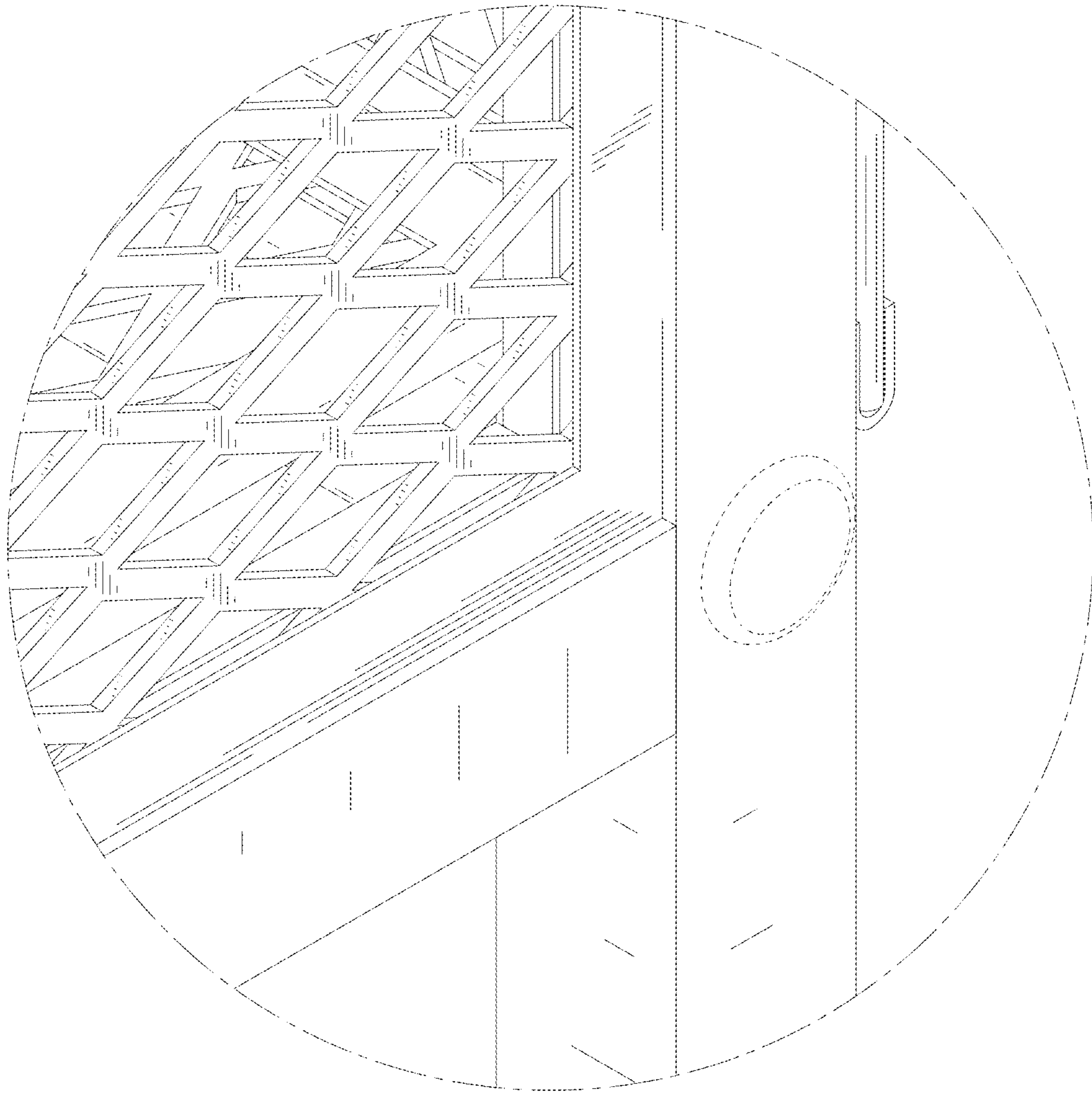


FIG. 11

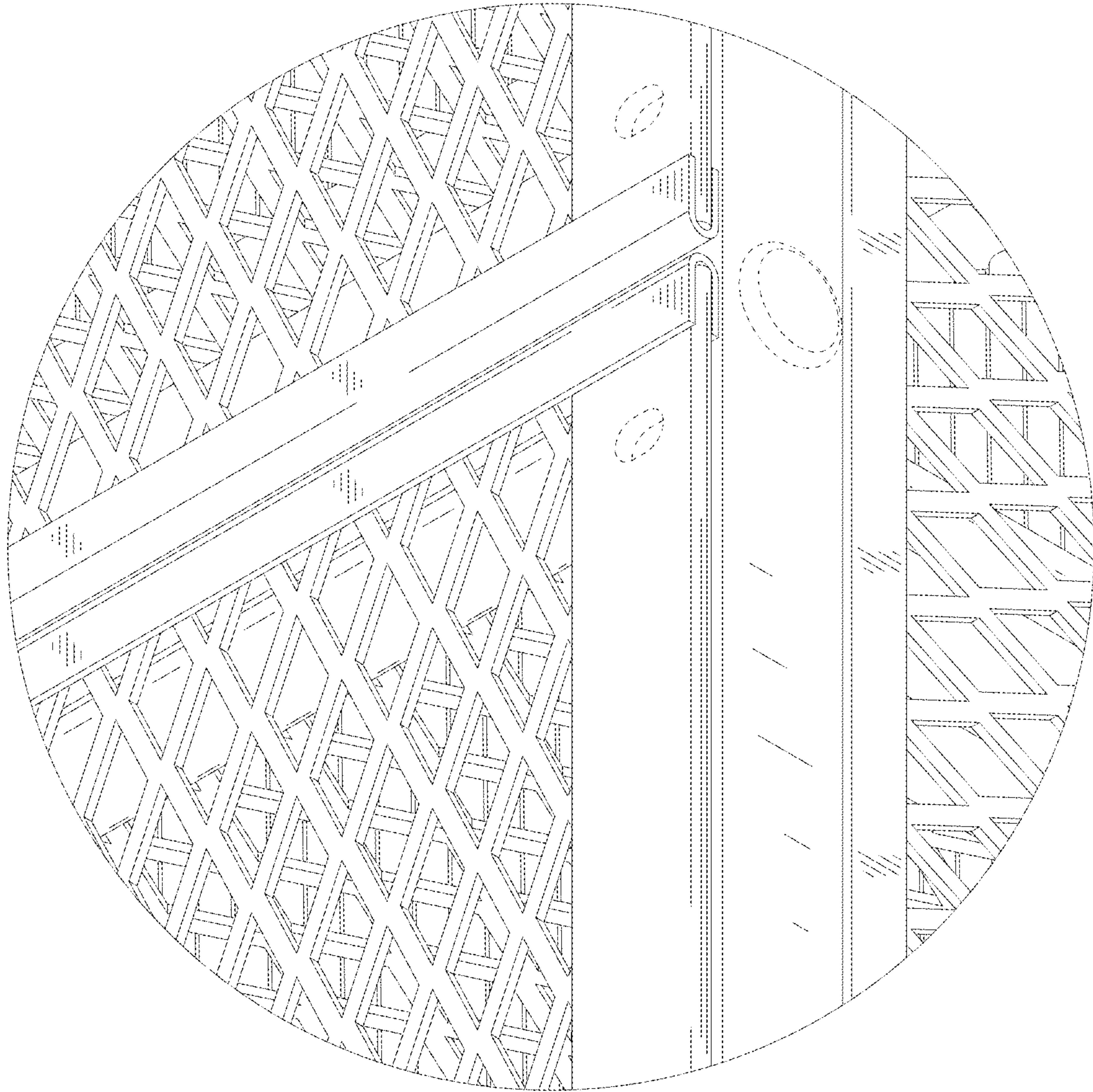


FIG. 12