



US00D970264S

(12) **United States Design Patent** (10) **Patent No.:** **US D970,264 S**
Chen (45) **Date of Patent:** **** Nov. 22, 2022**

(54) **LAPTOP PROJECTOR TRIPOD**
(71) Applicant: **zhi zhen Chen**, Putian (CN)
(72) Inventor: **zhi zhen Chen**, Putian (CN)
(**) Term: **15 Years**

D618,009 S 6/2010 Lancet
D730,087 S * 5/2015 Strater D6/656.15
D949,952 S * 4/2022 Luo A47B 3/0815
D16/244
2007/0131825 A1* 6/2007 Skrodzki F16M 11/16
248/177.1
2017/0318958 A1* 11/2017 Asante A47B 13/023

(21) Appl. No.: **29/800,526**
(22) Filed: **Jul. 21, 2021**
(51) **LOC (13) Cl.** **06-03**
(52) **U.S. Cl.**
USPC **D6/641**; D16/244
(58) **Field of Classification Search**
USPC D6/641, 672, 565, 656.13-656.15, 691,
D6/691.1-702; D14/229, 447, 451, 457;
D16/235, 237, 242, 244
CPC A47B 3/00; A47B 7/00; A47B 9/00; A47B
9/02; A47B 13/00; A47B 13/02; A47B
13/023; A47B 13/04; A47B 13/06; A47B
13/08; A47B 13/10; A47B 13/12; A47B
17/00; A47B 19/00; A47B 19/002; A47B
2019/004; A47B 2019/006; A47B
2019/008; A47B 21/00; A47B 37/00;
A47B 37/02; A47B 2200/0001; A47B
2200/0011; A47B 2200/002; F16M
11/046

See application file for complete search history.

(56) **References Cited**
U.S. PATENT DOCUMENTS

2,481,264 A * 9/1949 Tulowiecki A47B 19/002
248/461
2,576,287 A * 11/1951 English A47B 3/0815
108/150
3,307,814 A * 3/1967 Bogar, Jr. F16M 11/125
D25/120
3,358,951 A * 12/1967 Carter A47B 37/02
248/676

OTHER PUBLICATIONS

AkTop Pro Laptop Projector Tripod Stand—Amazon, First available on Sep. 3, 2018 <https://www.amazon.com/AkTop-Projector-Universal-Adjustable-Detachable/dp/B08B3CKJD6?th=1> retrieved from the internet on Jul. 11, 2022.*
GLEAM Projector Stand—Amazon, First available on Jun. 19, 2022 https://www.amazon.com/GLEAM-Universal-Laptop-Projector-Adjustable/dp/B08BHVS5MK/ref=sr_1_5?keywords=laptop+tripod+stand&qid=1657577261&sr=8-5 retrieved from the internet on Jul. 11, 2022.*

* cited by examiner

Primary Examiner — Mary Ann Calabrese
(74) *Attorney, Agent, or Firm* — Justin Lampel

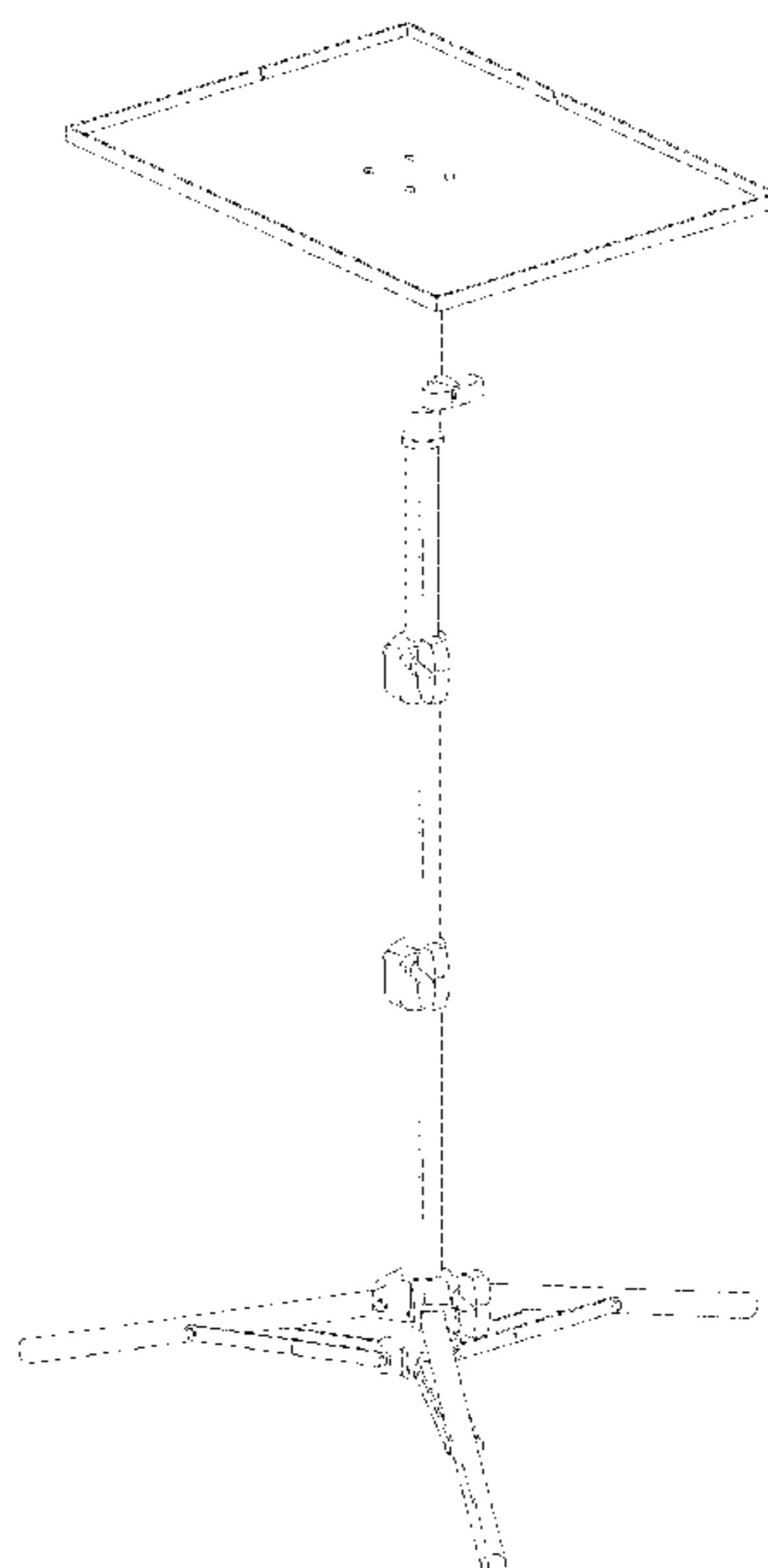
(57) **CLAIM**

The ornamental design for a laptop projector tripod, as shown and described.

DESCRIPTION

FIG. 1 is a perspective view of a laptop projector tripod showing the claimed design;
FIG. 2 is a top plan view thereof;
FIG. 3 is a left side view thereof;
FIG. 4 is a front elevational view thereof;
FIG. 5 is a right side view thereof;
FIG. 6 is a rear elevational view thereof; and,
FIG. 7 is a bottom plan view thereof.

1 Claim, 7 Drawing Sheets



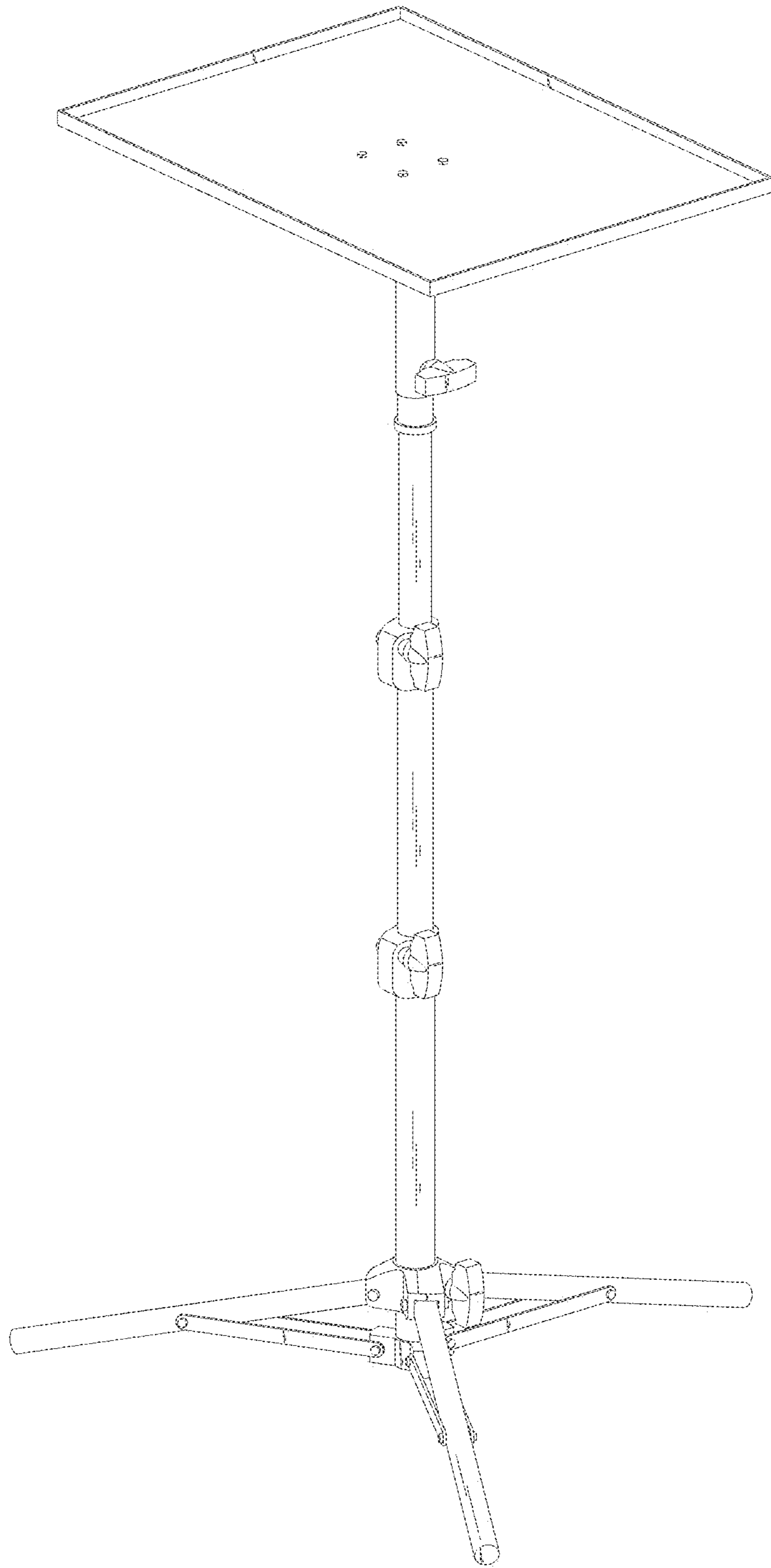


FIG. 1

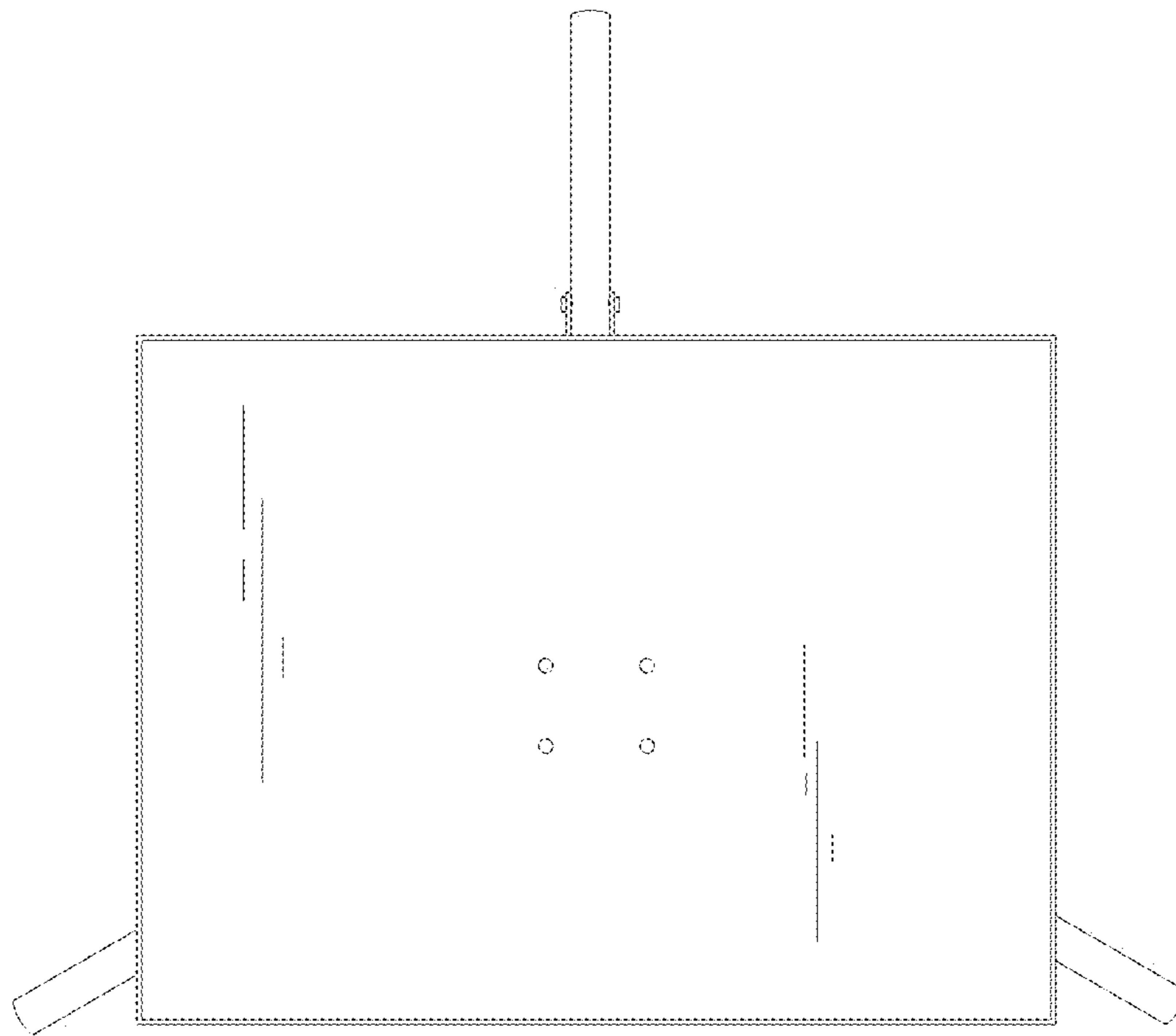


FIG. 2

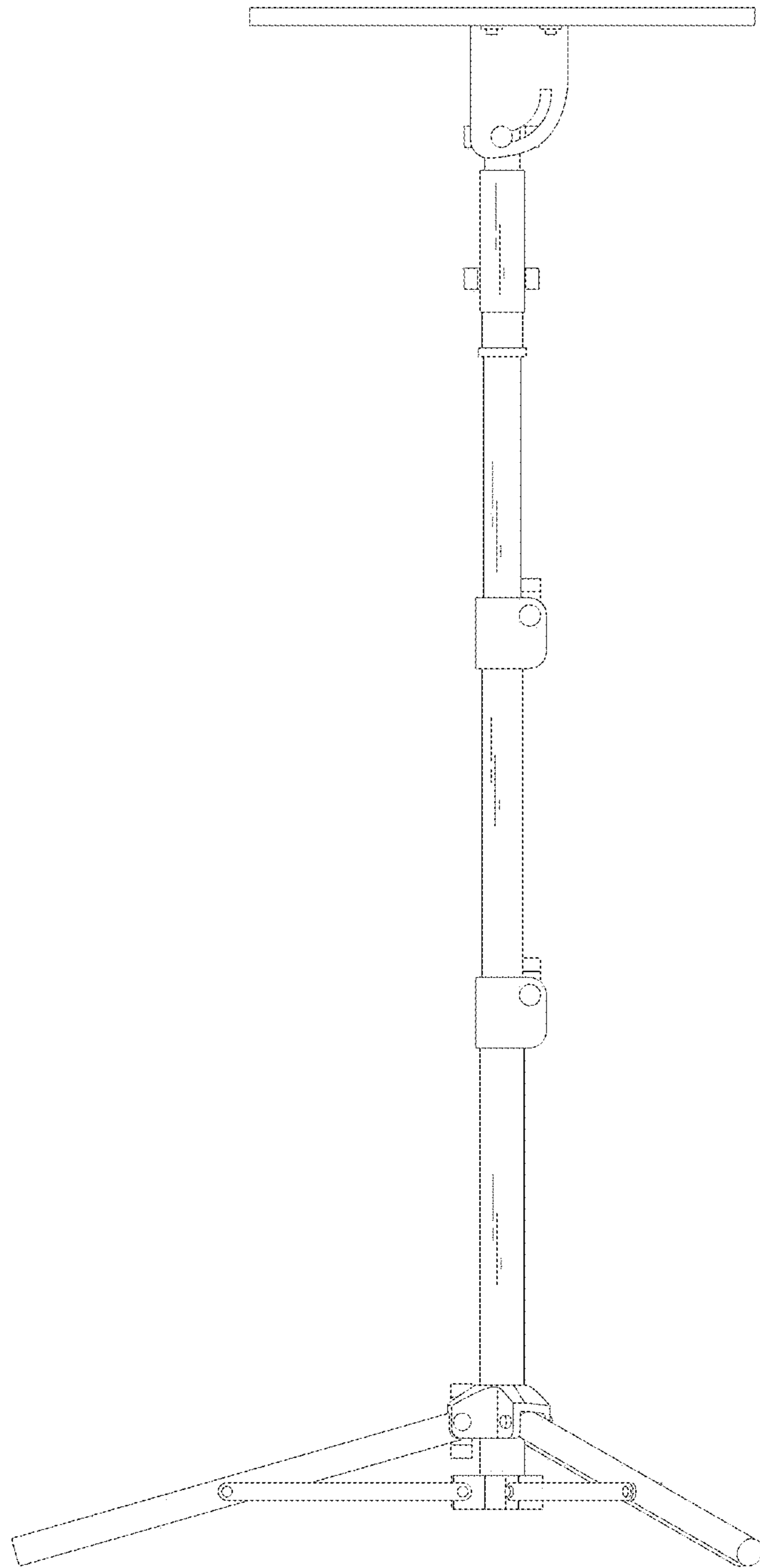


FIG. 3

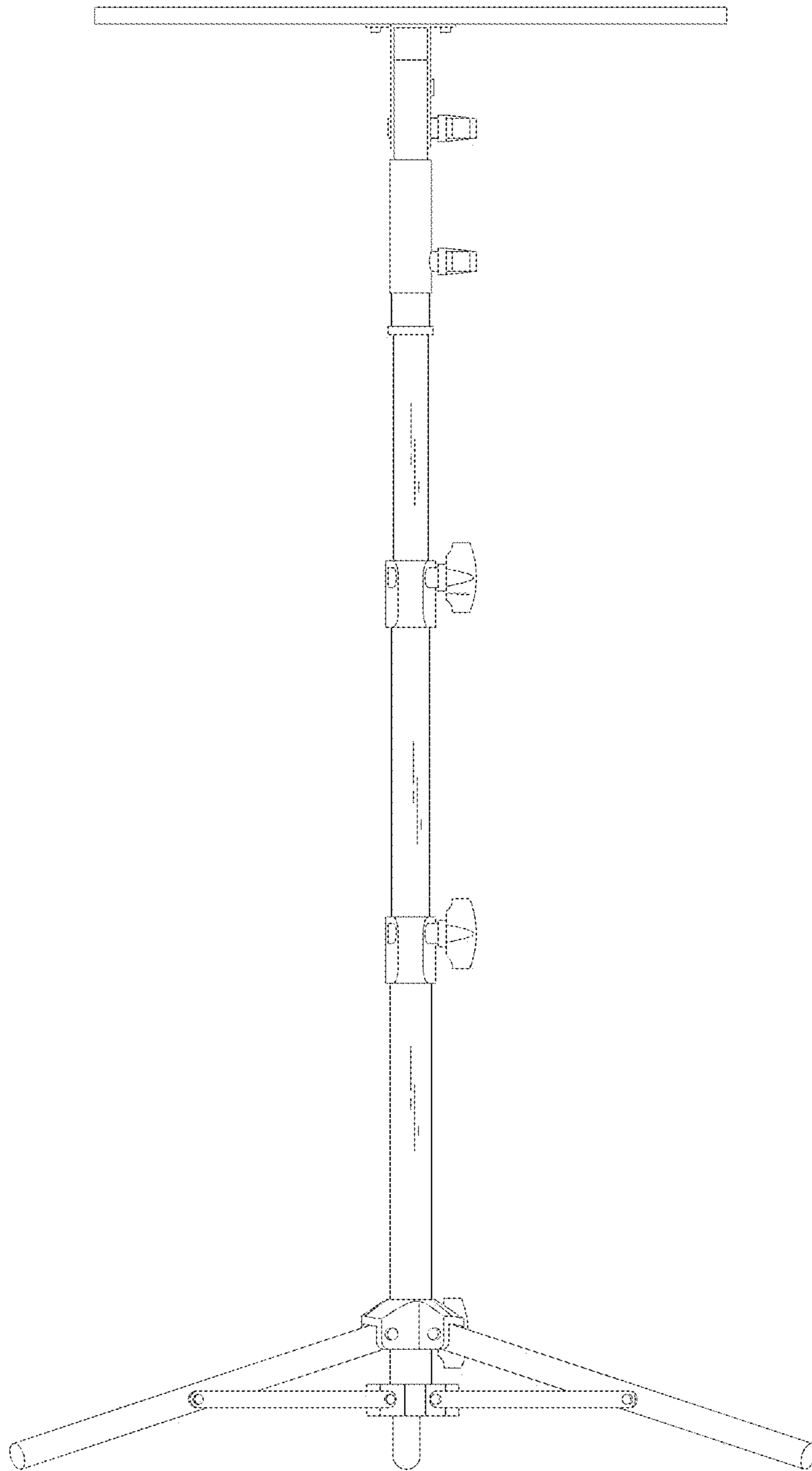


FIG. 4

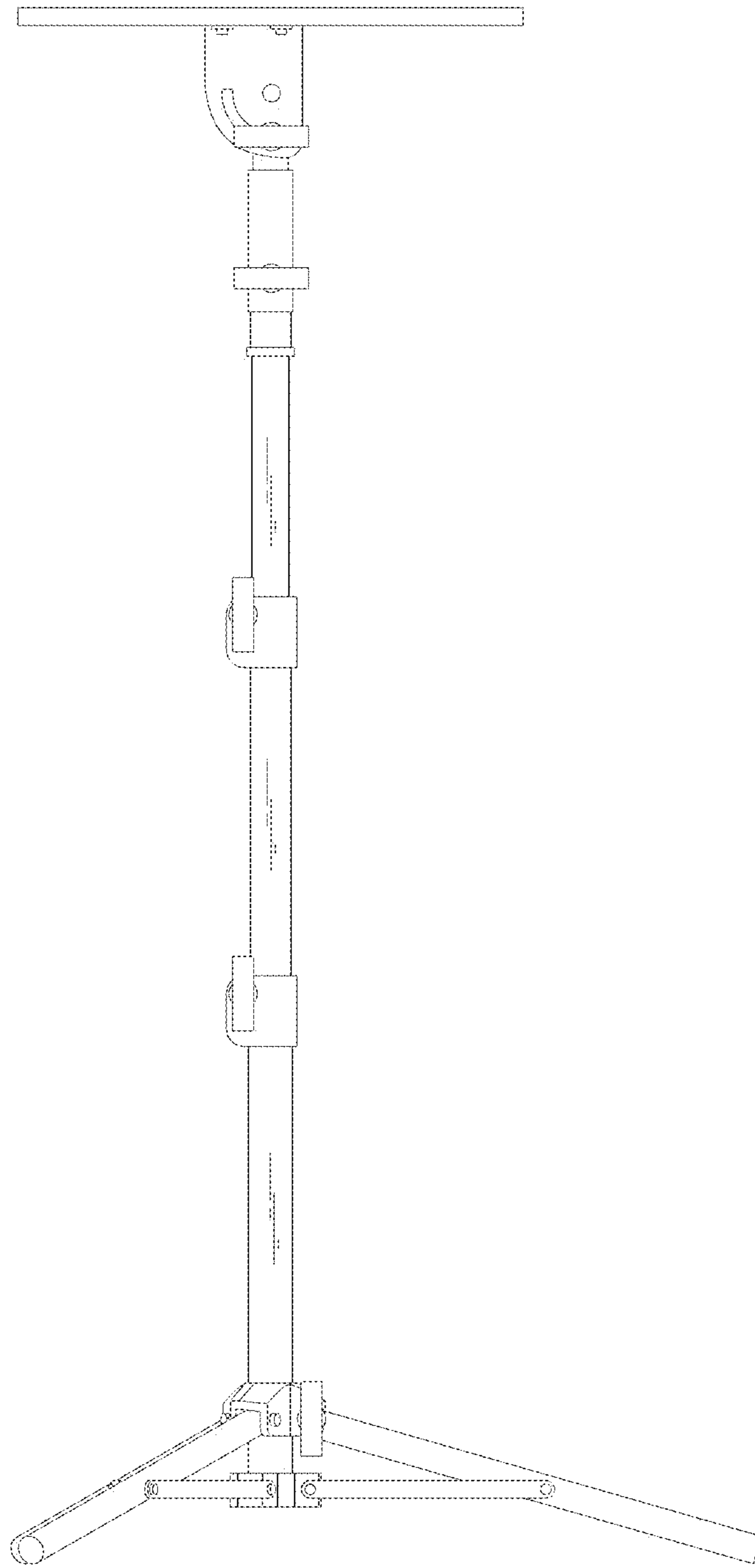


FIG. 5

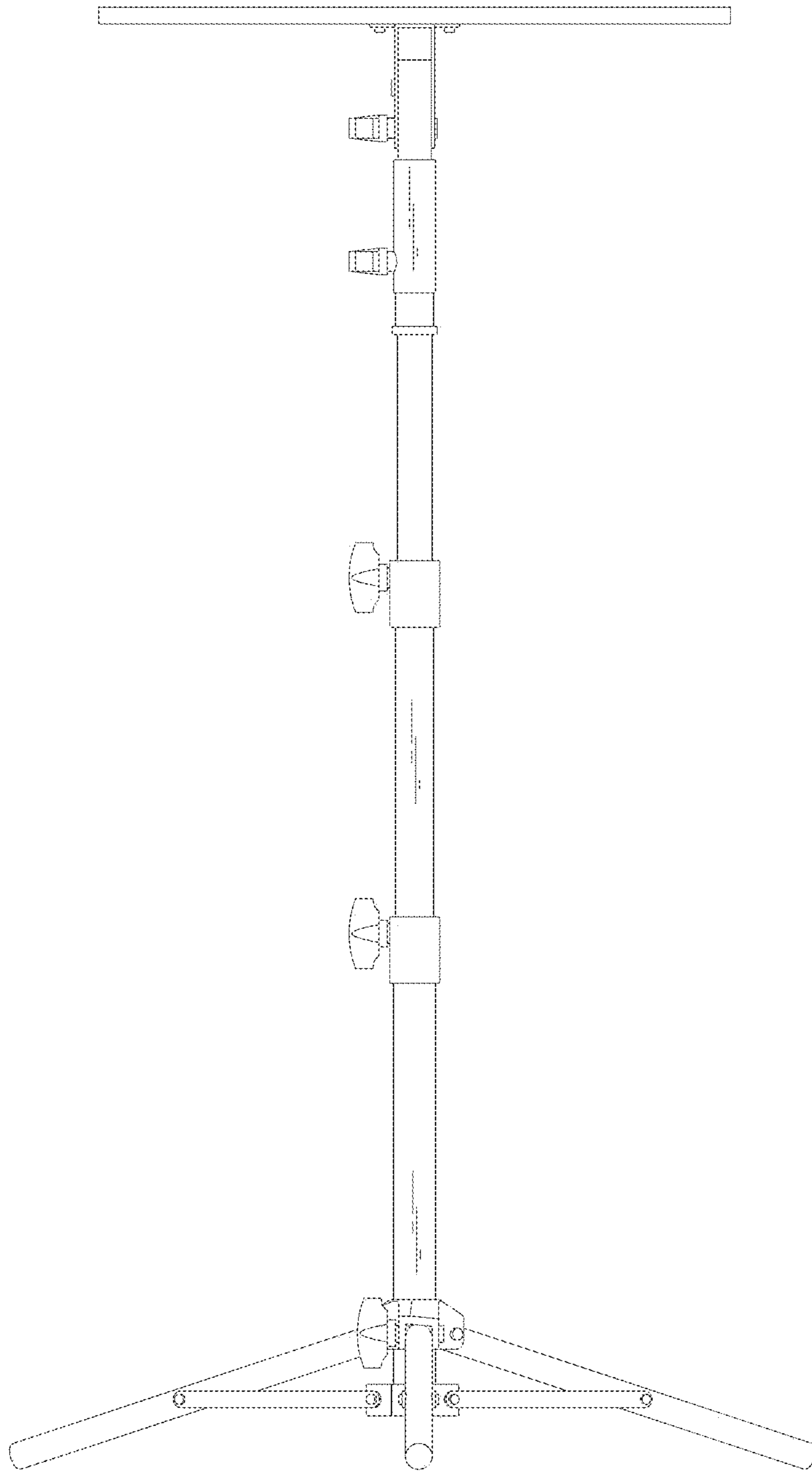


FIG. 6

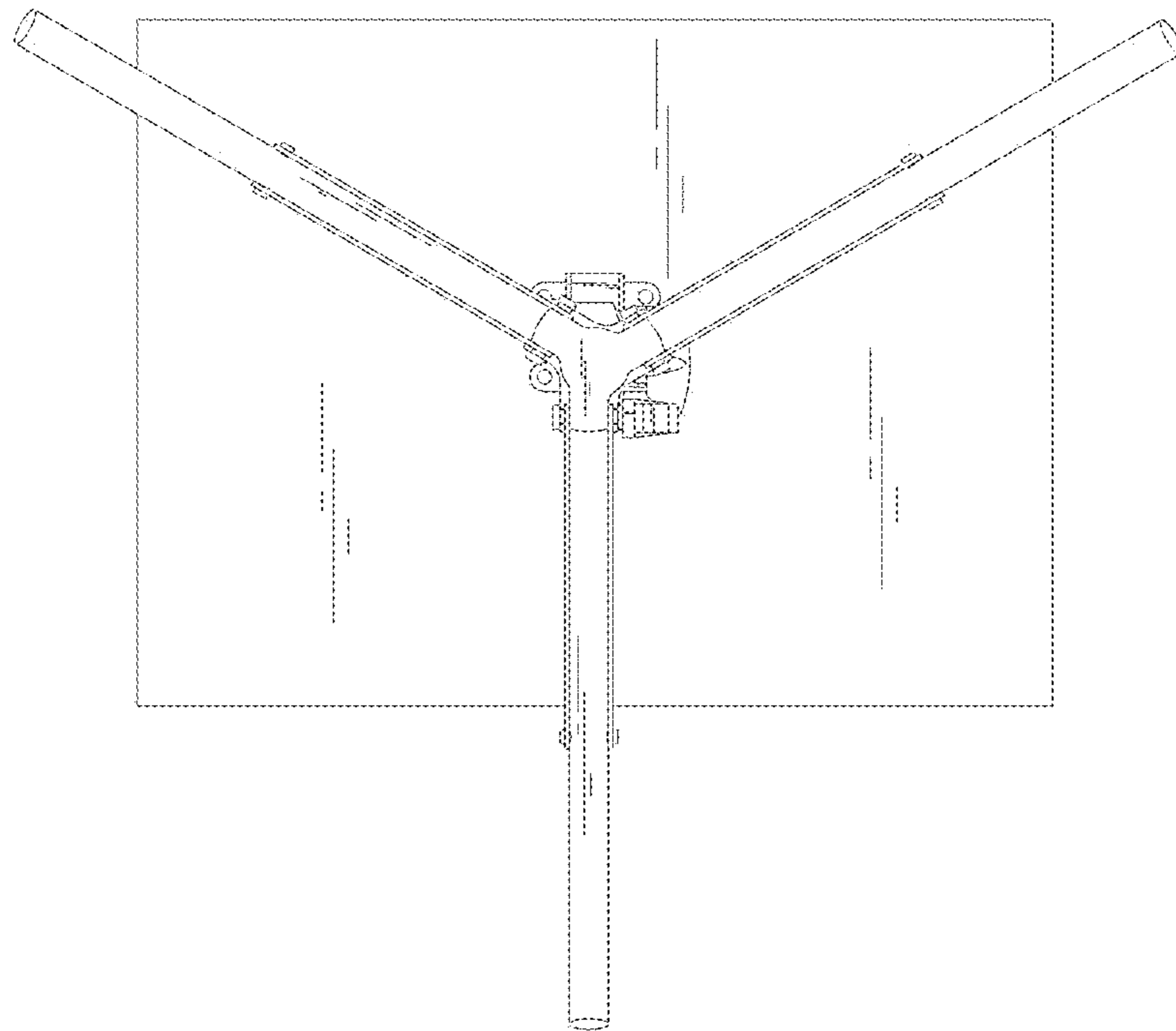


FIG. 7