

US00D970263S

(12) **United States Design Patent** (10) **Patent No.:** **US D970,263 S**
Yang (45) **Date of Patent:** **** Nov. 22, 2022**

(54) **BED SHEET HOLDER STRAPS**
(71) Applicant: **SHANGHAI ZHUOYI TRADING CO., LTD**, Shanghai (CN)
(72) Inventor: **Lei Yang**, Hefei (CN)
(73) Assignee: **SHANGHAI ZHUOYI TRADING CO., LTD**, Shanghai (CN)

D799,859 S * 10/2017 Whaley D6/607
D883,079 S * 5/2020 Kou D8/394
D946,312 S * 3/2022 Li D6/607
2002/0062522 A1* 5/2002 Deckert A47D 15/02
5/504.1
2006/0211336 A1* 9/2006 Brigham A61M 1/804
450/86

(Continued)

(**) Term: **15 Years**
(21) Appl. No.: **29/802,791**

CN 304696964 * 6/2018
JP D1635089 * 7/2019

FOREIGN PATENT DOCUMENTS

(22) Filed: **Aug. 9, 2021**
(51) **LOC (13) Cl.** **06-13**
(52) **U.S. Cl.**
USPC **D6/607**
(58) **Field of Classification Search**
USPC D6/326, 328, 602, 607; D8/394, 395;
D2/943, 944; D21/839
CPC A47C 21/022; A47C 21/02
See application file for complete search history.

OTHER PUBLICATIONS

Mendeng Bed Sheet Straps, Amazon.com, date reviewed Oct. 30, 2020, date retrieved Sep. 26, 2022—29802791—<https://amzn.to/3SwIFxp> (Year: 2020).*

(Continued)

Primary Examiner — Jennifer L Rempfer
Assistant Examiner — Danielle Nichole Bowly

(56) **References Cited**

U.S. PATENT DOCUMENTS

557,456 A * 3/1896 Utter A47C 21/022
24/72.5
D59,961 S * 12/1921 Humbird D6/607
D294,910 S * 3/1988 Garding D6/607
4,891,856 A * 1/1990 Thornhill A47G 9/04
5/498
5,148,560 A * 9/1992 Torres A47C 21/022
24/72.5
D386,929 S * 12/1997 Jaeger D6/607
D387,602 S * 12/1997 Cerdan D6/607
D448,230 S * 9/2001 Gillin D6/607
D463,325 S * 9/2002 Savoia D11/200
D481,579 S * 11/2003 Colbert D6/607
6,739,002 B1 5/2004 Pannu
D761,042 S * 7/2016 Whaley D6/607
9,468,308 B2 * 10/2016 Funger A47C 31/11

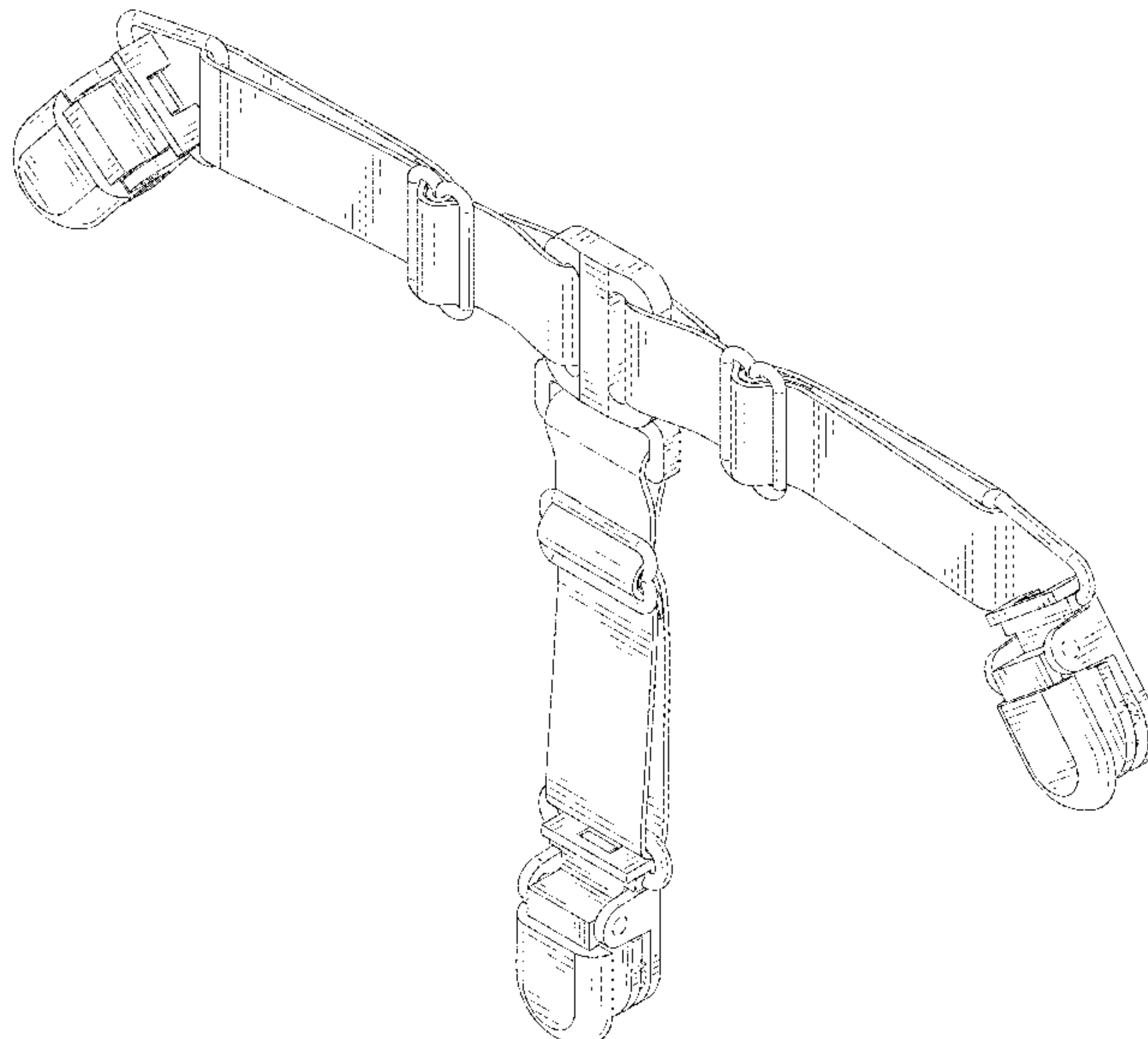
(57) **CLAIM**

The ornamental design for bed sheet holder straps, as shown and described.

DESCRIPTION

FIG. 1 is a perspective view of bed sheet holder straps showing my new design;
FIG. 2 is another perspective view thereof;
FIG. 3 is a front elevational view thereof;
FIG. 4 is a rear elevational view thereof;
FIG. 5 is a left side elevational view thereof;
FIG. 6 is a right side elevational view thereof;
FIG. 7 is a top plan view thereof; and,
FIG. 8 is a bottom plan view thereof.
The broken lines in the drawings depict portions of the bed sheet holder straps that form no part of the claimed design.

1 Claim, 8 Drawing Sheets



(56)

References Cited

U.S. PATENT DOCUMENTS

2010/0325842 A1* 12/2010 Rivera G09F 21/02
24/3.4
2012/0005867 A1* 1/2012 Whaley A47C 21/022
24/302
2019/0125091 A1 5/2019 Downes et al.

OTHER PUBLICATIONS

Stars Bed Sheet Straps Set, Amazon.com, date published Aug. 25, 2020, date retrieved Sep. 26, 2022—29802791—<https://amzn.to/3EcyiLp> (Year: 2020).*

* cited by examiner

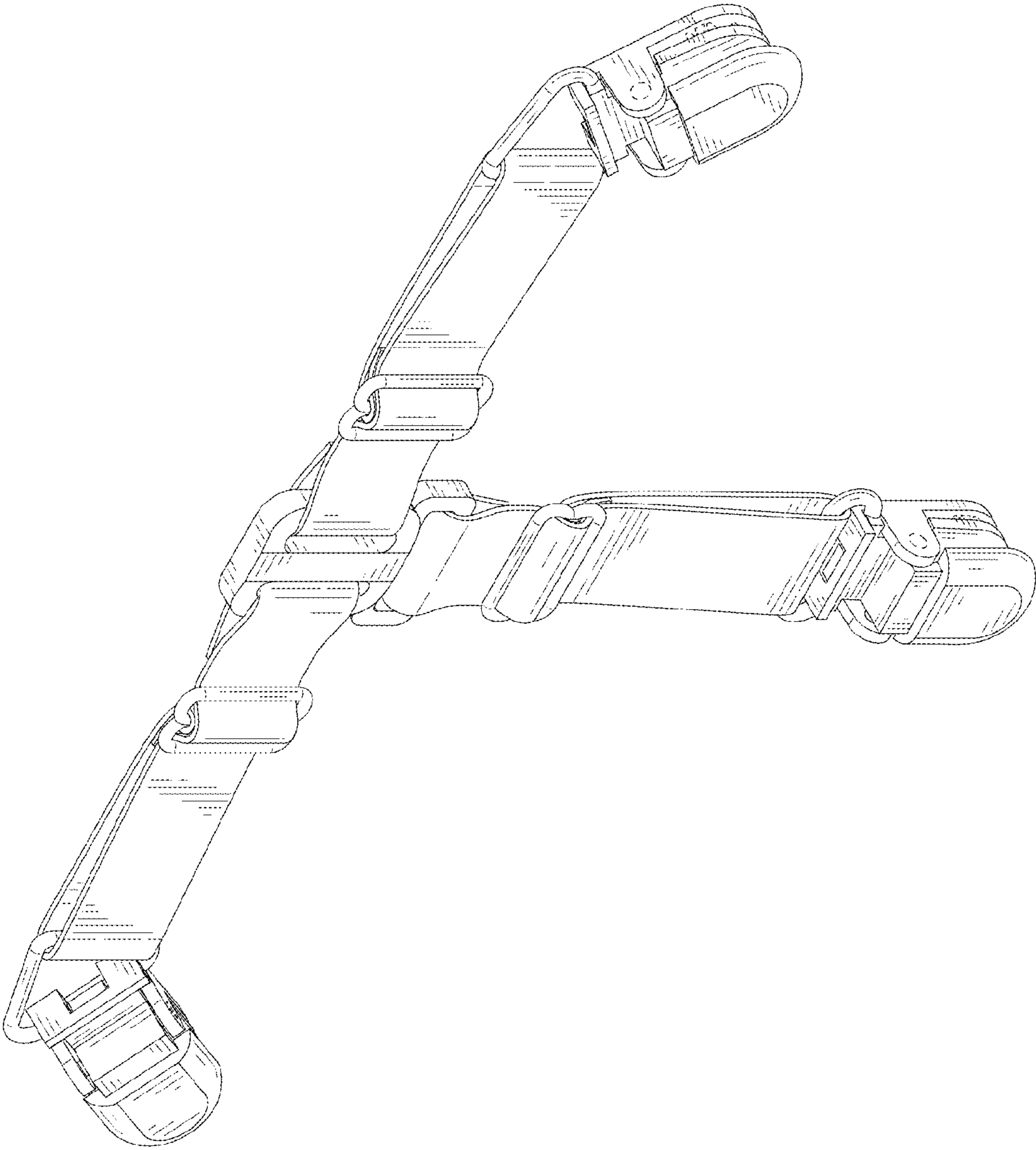


FIG. 1

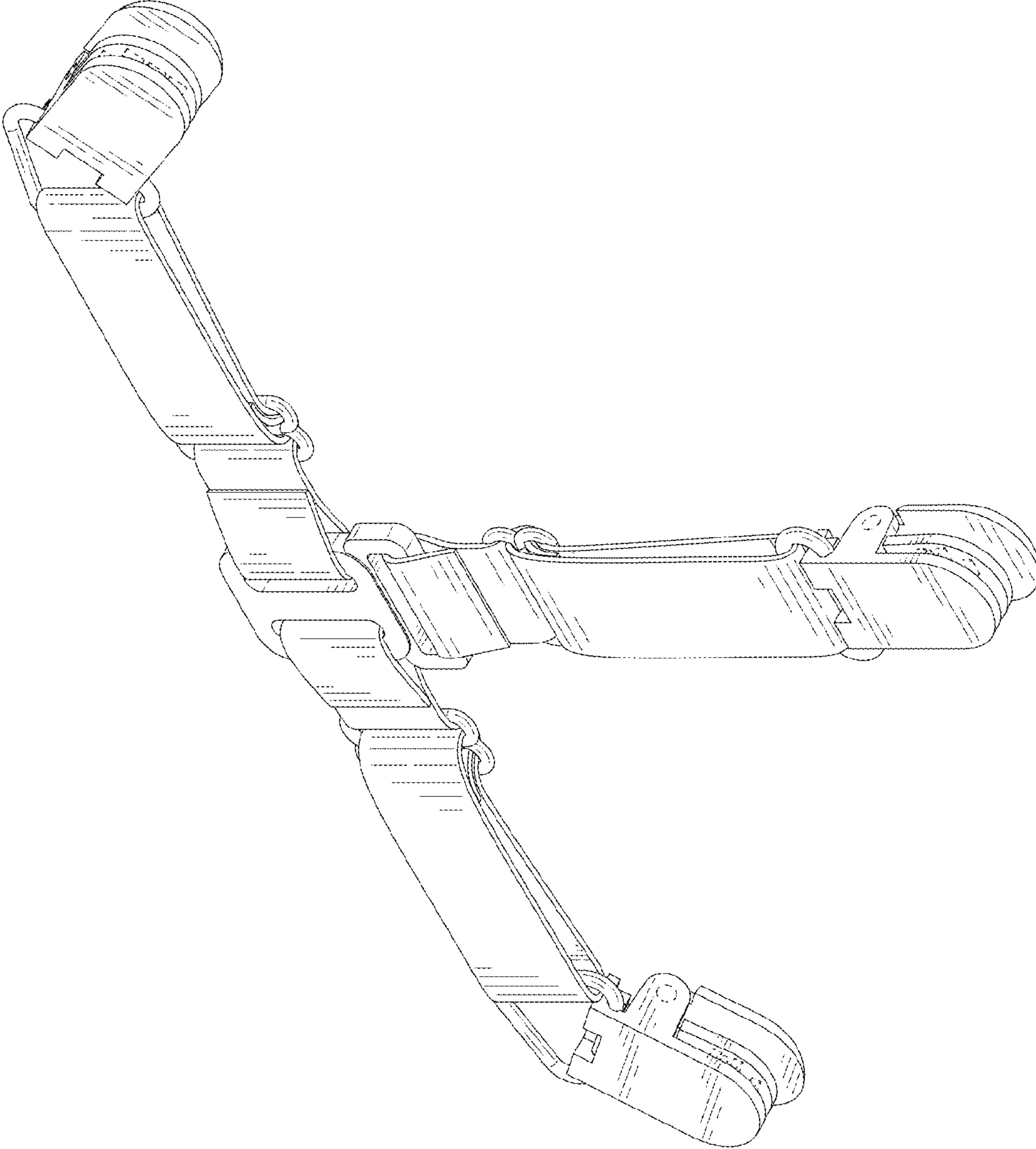


FIG. 2

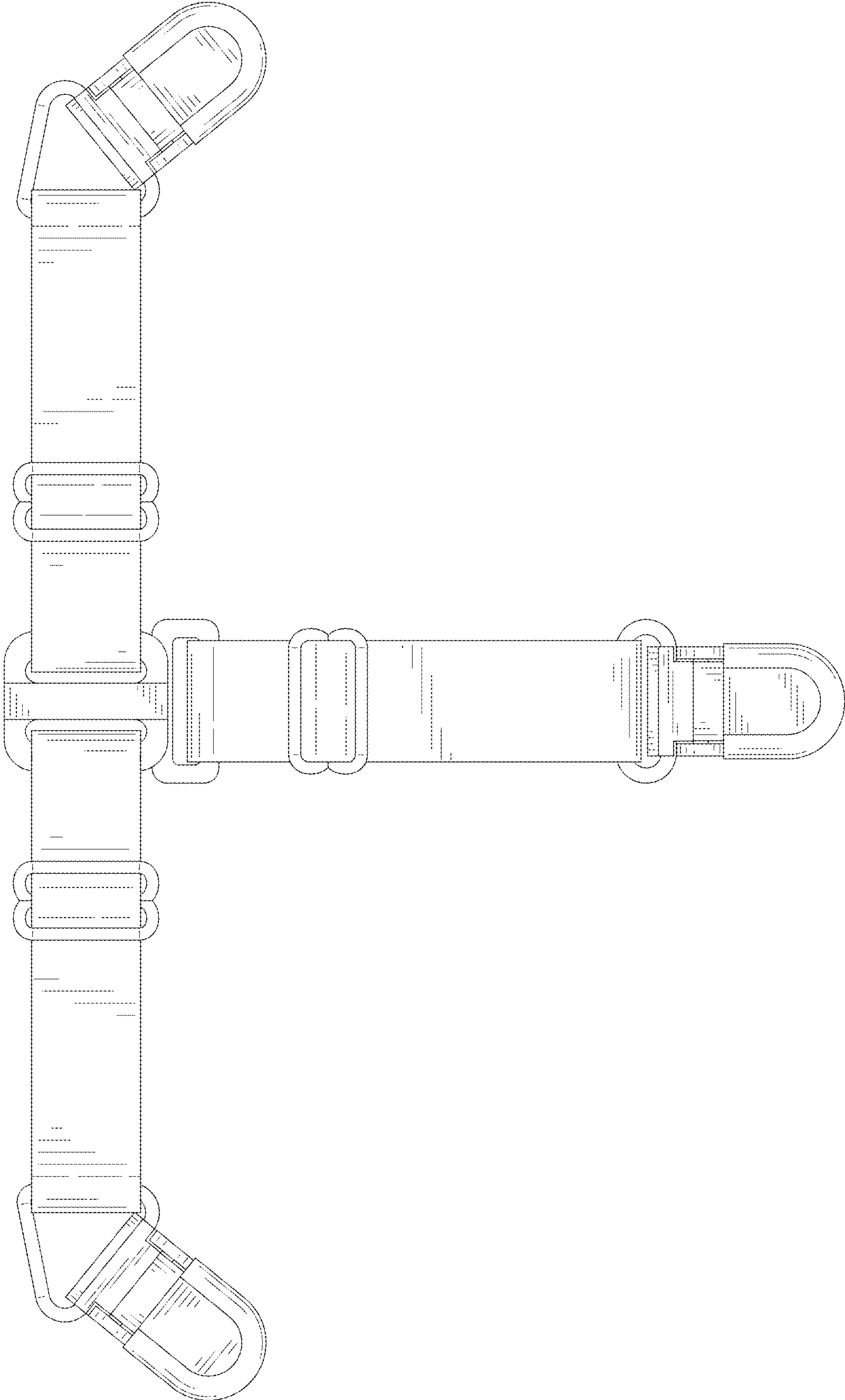


FIG. 3

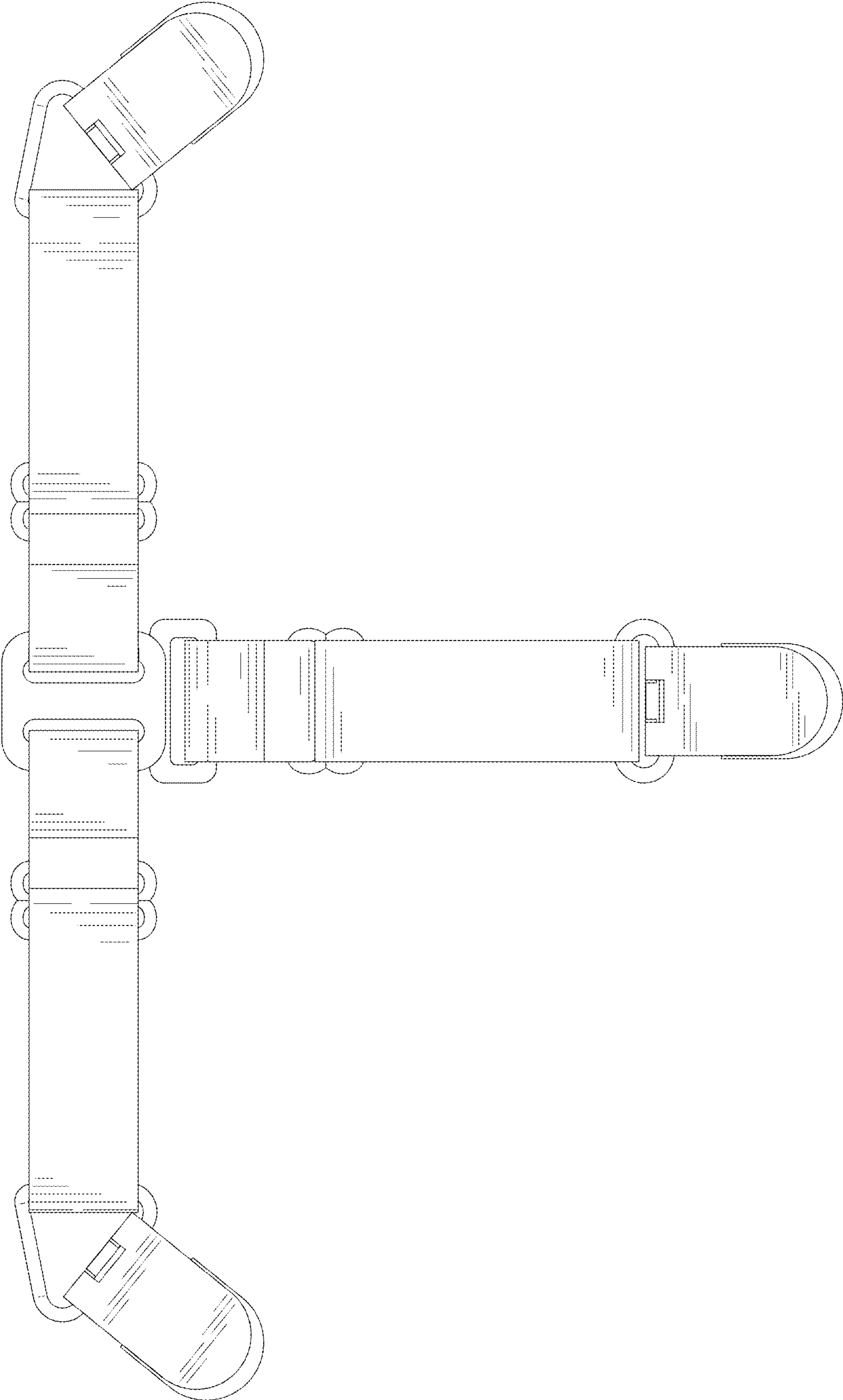


FIG. 4

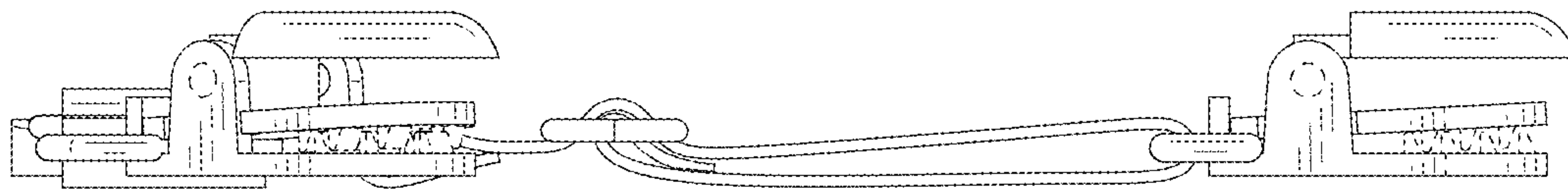


FIG. 5

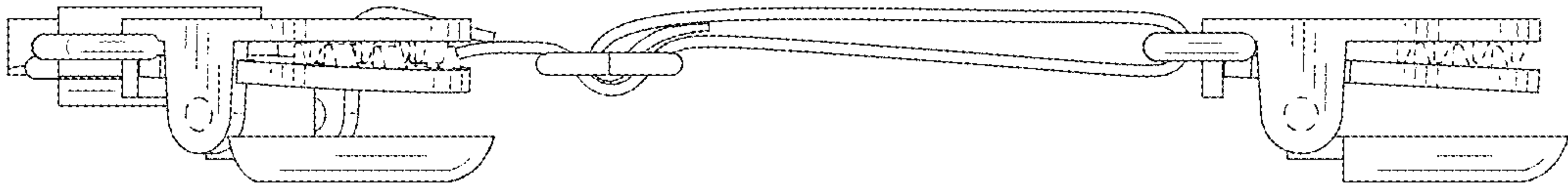


FIG. 6

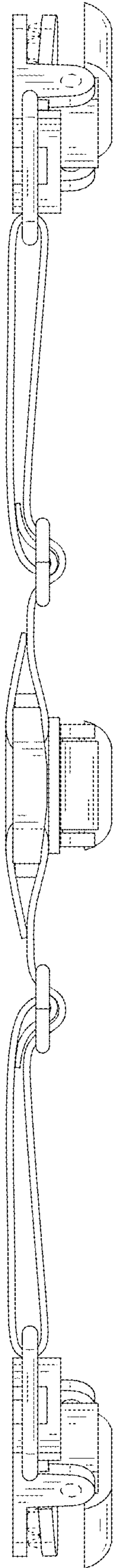


FIG. 7

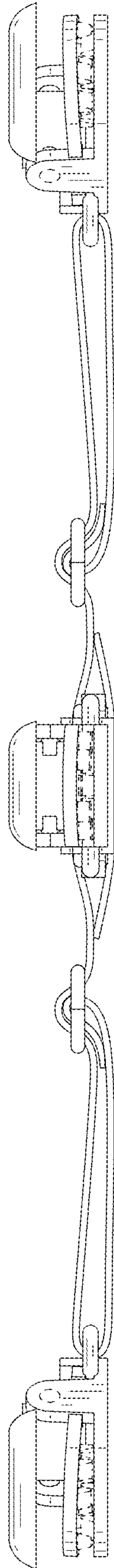


FIG. 8