



US00D970256S

(12) **United States Design Patent** (10) **Patent No.:** **US D970,256 S**
Li (45) **Date of Patent:** **** Nov. 22, 2022**

(54) **CUSHION**
(71) Applicant: **Defa Li**, Shandong (CN)
(72) Inventor: **Defa Li**, Shandong (CN)
(73) Assignee: **Tengzhou Shijia Inflatables Model Co., Ltd.**, Tengzhou (CN)

D707,468 S 6/2014 Lauer et al.
D783,314 S * 4/2017 Christmas D6/605
D785,105 S * 4/2017 Armitage D21/686
D805,811 S * 12/2017 Armitage D6/582
10,315,065 B1 * 6/2019 Soba A63B 21/151
D879,503 S * 3/2020 Fu D6/582
D887,506 S * 6/2020 Chen D21/686
D938,191 S * 12/2021 Xia D6/588
D942,185 S * 2/2022 Liang D6/604

(Continued)

(**) Term: **15 Years**

FOREIGN PATENT DOCUMENTS

(21) Appl. No.: **29/804,615**

CN 304837486 * 10/2018
CN 305300202 * 8/2019

(22) Filed: **Aug. 21, 2021**

(Continued)

(51) **LOC (13) Cl.** **06-13**

(52) **U.S. Cl.**
USPC **D6/596**

OTHER PUBLICATIONS

(58) **Field of Classification Search**
USPC D6/595, 596, 601, 604, 605, 606, 607,
D6/608, 609; D24/183, 185; 5/413 AM,
5/690, 706, 961, 716, 717, 718, 721, 495,
5/496, 497, 498, 499, 490, 491
CPC A47C 19/00; A47C 23/00; A47C 21/026;
A47C 27/00; A47C 27/06; A47C 27/08;
A47C 27/081; A47C 27/082; A47G 9/10;
A47G 9/1009; A47G 9/1027; A47G
9/1045; A47G 9/1063; A47G 9/1072;
A47G 9/1081

Airtrack den bedste gymnastik matte i 2022, article date Jul. 21, 2022 [online], [site visited Jul. 27, 2022]:URL:<https://dtvtransition.org/airtrack-den-ultimate-gymnastik-maatte/> (Year: 2022).*

(Continued)

See application file for complete search history.

Primary Examiner — Bao-Yen T Nguyen
Assistant Examiner — Loryn K. Leblanc

(57) **CLAIM**

The ornamental design for a cushion, as shown and described.

DESCRIPTION

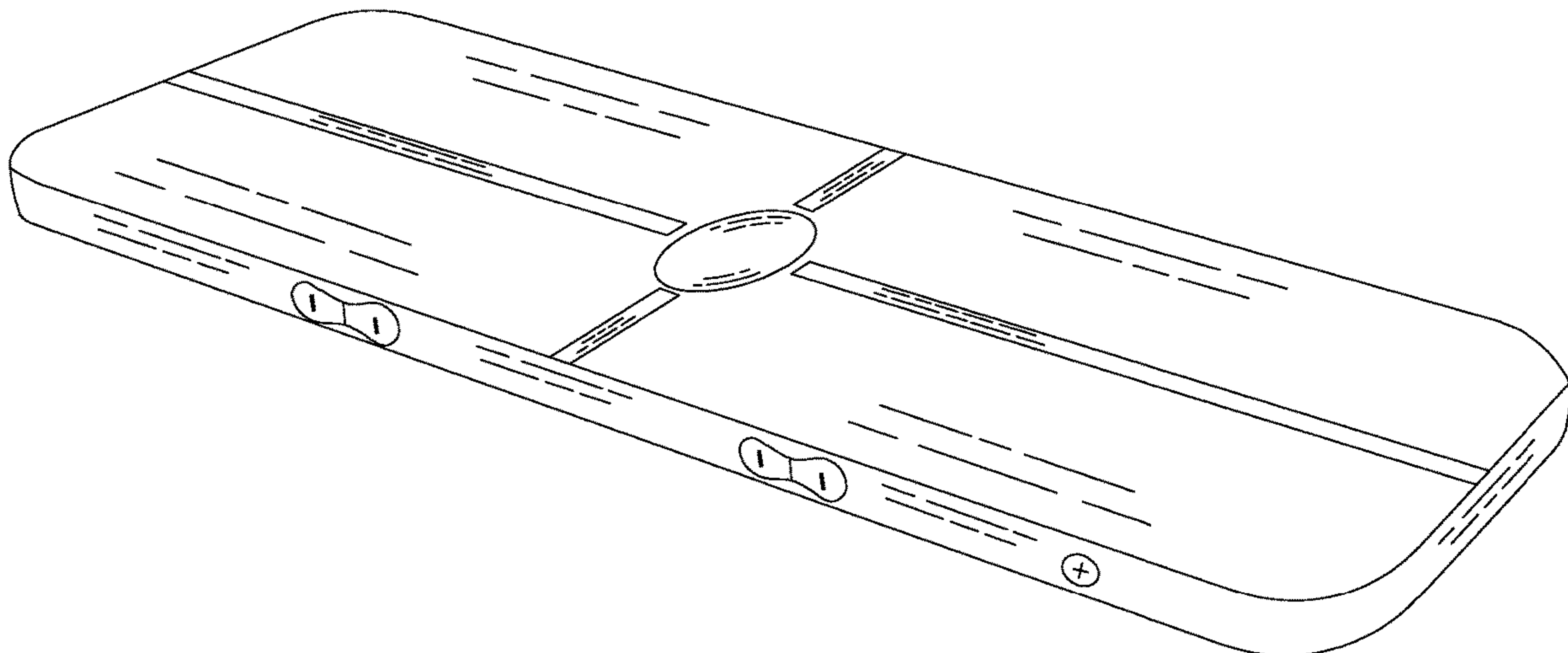
(56) **References Cited**

U.S. PATENT DOCUMENTS

6,337,080 B1 * 1/2002 Fryan A01N 25/18
514/555
D457,373 S * 5/2002 Prinzmetal D6/582
D544,281 S * 6/2007 Appleby D6/582
D599,736 S * 9/2009 Ferber D13/108
D657,987 S * 4/2012 Lane D6/582
D694,554 S 12/2013 Yiannaki et al.
D697,337 S 1/2014 Young
D700,456 S * 3/2014 Wentland D6/582

FIG. 1 is a perspective view of a cushion showing my new design;
FIG. 2 is a front elevational view thereof;
FIG. 3 is a rear elevational view thereof;
FIG. 4 is a left side elevational view thereof;
FIG. 5 is a right side elevational view thereof;
FIG. 6 is a top plan view thereof; and,
FIG. 7 is a bottom plan view thereof.

1 Claim, 7 Drawing Sheets



(56)

References Cited

U.S. PATENT DOCUMENTS

D950,982 S * 5/2022 Lee D6/604
2011/0131723 A1* 6/2011 Andrews A45F 3/14
5/417
2012/0248646 A1* 10/2012 Yang B29C 45/14811
264/132
2015/0328495 A1* 11/2015 Soba A63B 21/4037
5/417
2016/0312413 A1* 10/2016 Malmquist E01C 5/14

FOREIGN PATENT DOCUMENTS

CN 305786117 * 5/2020
GB 6184901 * 1/2022
KR 301169859.0000 * 6/2022

OTHER PUBLICATIONS

IBATMS Air Tumbling Mat, product availability Jan. 17, 2022 [online], picture review Jan. 12, 2021 [online], [site visited Jun. 9, 2022]:URL:<https://www.amazon.com/gp/product/B09QKMCN4H/ref=ox_sc_act_title_1?smid=AZT655RMMSG3O&th=1&psc=1> (Year: 2021).*

FBSPORT 13ft/16ft/20ft/23ft/26ft Inflatable Air Gymnastics Mat, product availability Dec. 13, 2017 [online], video review Sep. 25, 2019 [online], [site visited Jun. 9, 2022]:URL:<https://www.amazon.com/gp/product/B078815CXR/ref=sw_img_1?smid=AR34VWRVPGB4R&psc=1> (Year: 2017).*

* cited by examiner

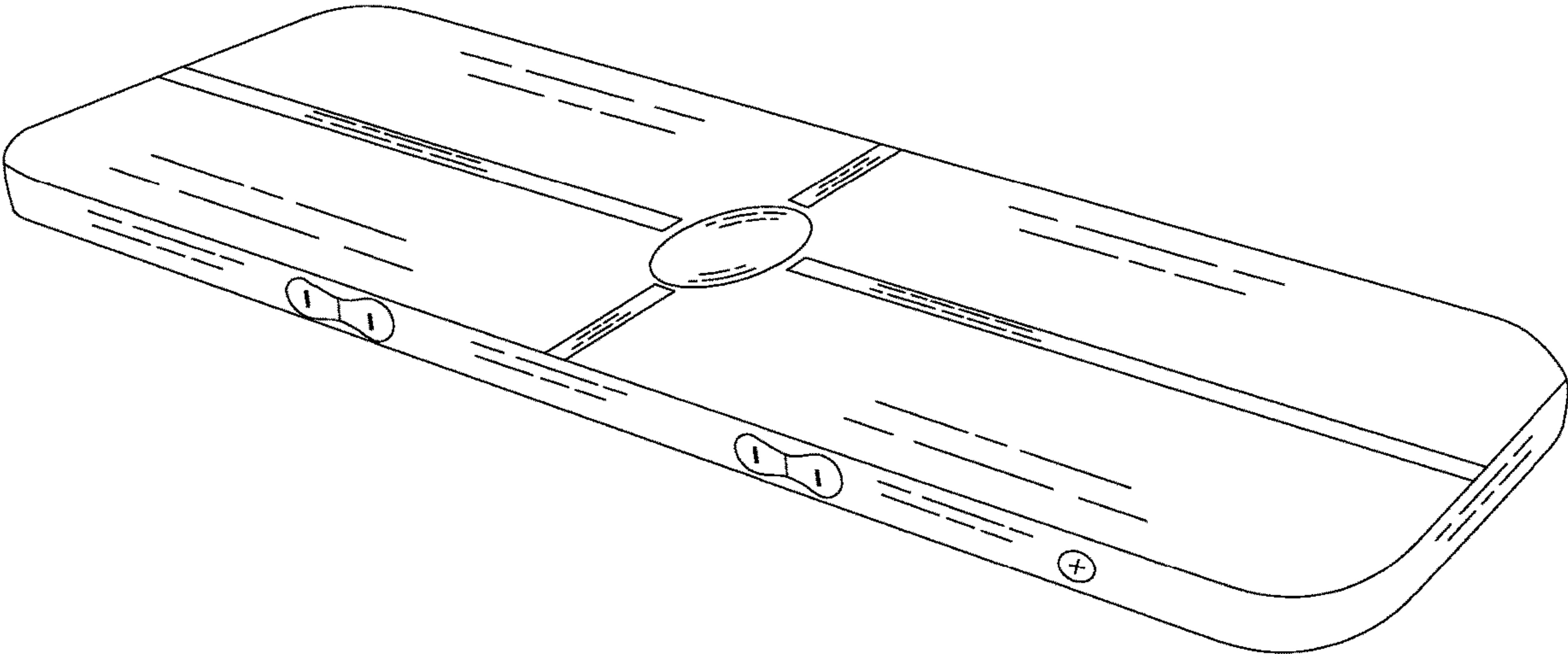


FIG.1



FIG.2

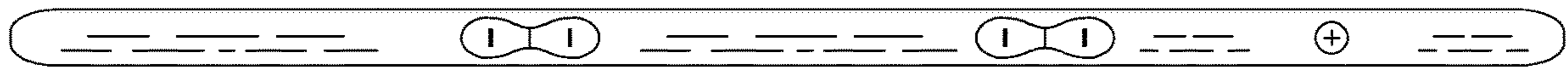


FIG.3

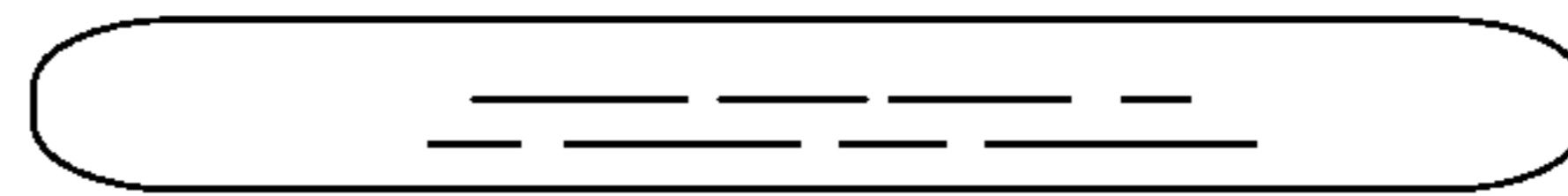


FIG.4

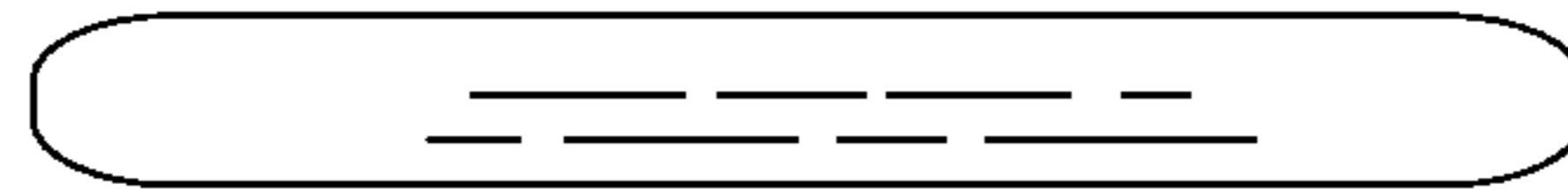


FIG.5

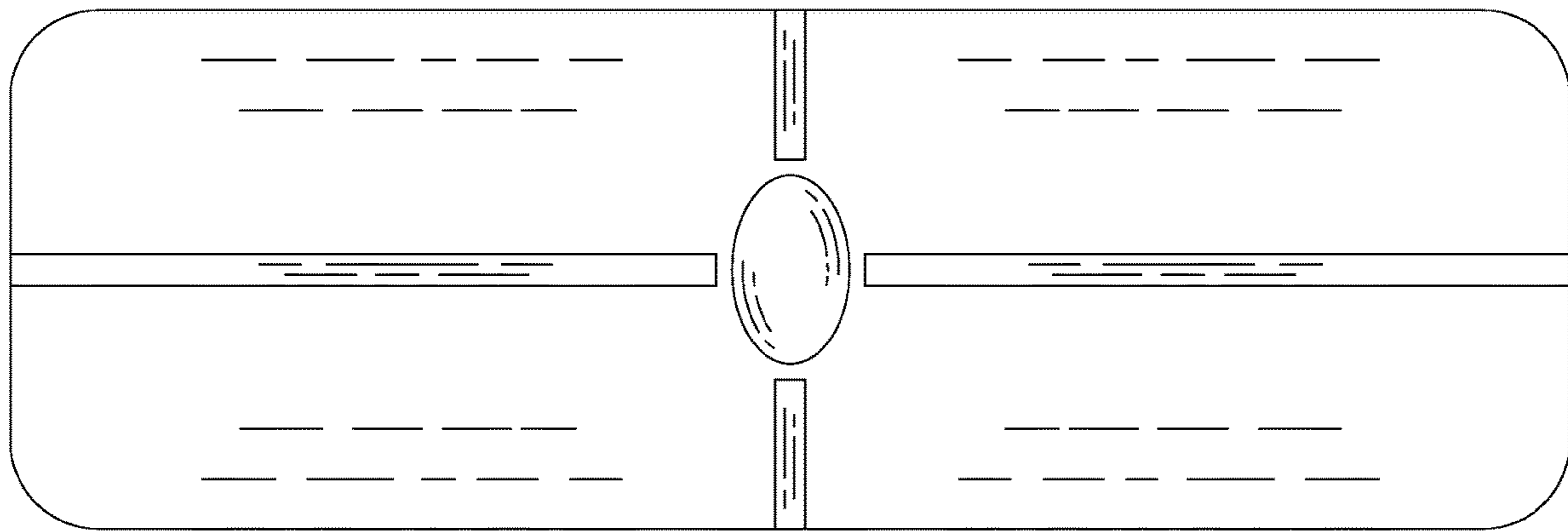


FIG.6

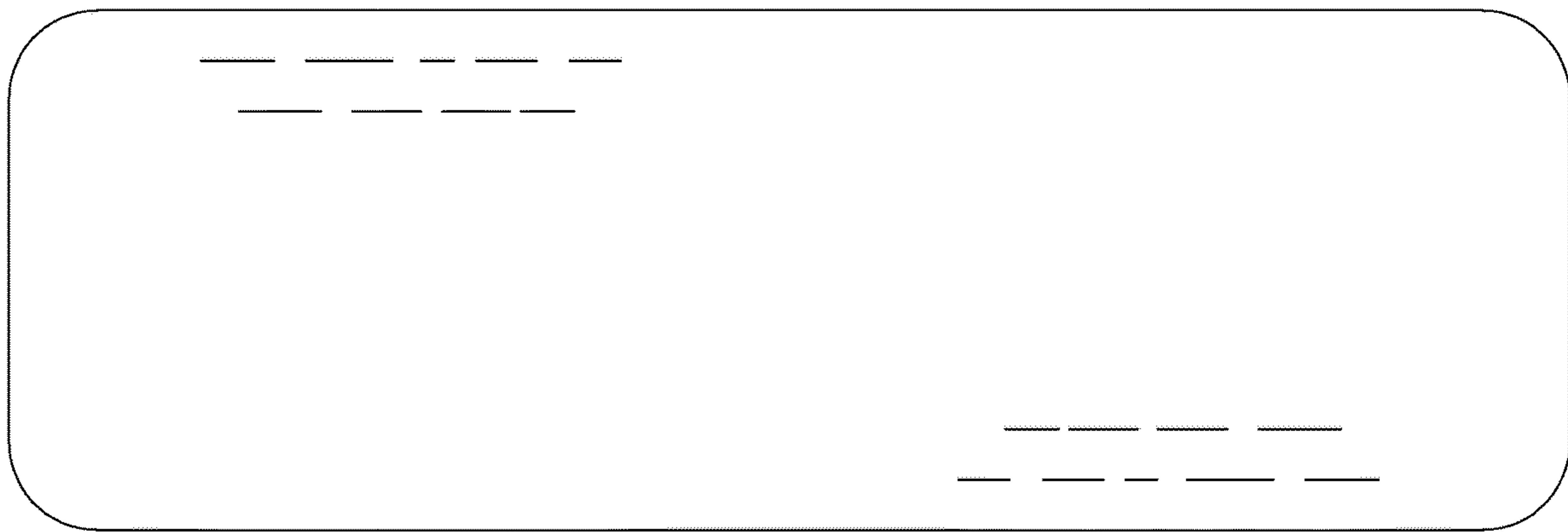


FIG.7