



US00D970254S

(12) **United States Design Patent**
Chiquin

(10) **Patent No.:** **US D970,254 S**

(45) **Date of Patent:** **** Nov. 22, 2022**

(54) **ROUND CLUTCH CORE GUARD**

FOREIGN PATENT DOCUMENTS

(71) Applicant: **Vertilux Limited**, Medley, FL (US)

AU 2009203048 10/2015
BG 6230-0011 9/2006

(72) Inventor: **Edwin Chiquin**, Miami, FL (US)

(Continued)

(73) Assignee: **VERTILUX LIMITED**, Medley, FL (US)

OTHER PUBLICATIONS

Bing Search, <http://www.quebanana.com/tienda/ver/herrajesmarino/145224>, Aug. 22, 2013.

(**) Term: **15 Years**

(Continued)

(21) Appl. No.: **29/728,945**

Primary Examiner — Susan E Krakower

Assistant Examiner — Jerry Shiu-an-Hua Hsu

(22) Filed: **Mar. 23, 2020**

(74) *Attorney, Agent, or Firm* — Malloy & Malloy, P.L.

(51) **LOC (13) Cl.** **06-10**

(57) **CLAIM**

(52) **U.S. Cl.**

The ornamental design for a round clutch core guard, as shown and described.

USPC **D6/580**

DESCRIPTION

(58) **Field of Classification Search**

USPC D6/575, 577, 580, 581; D8/349-383

CPC E06B 9/24; E06B 9/50; E06B 9/78; E06B

9/42; E06B 9/44; E06B 9/326; E06B

9/90; G09F 11/23

See application file for complete search history.

FIG. 1 is a front perspective view illustrating one embodiment of my design for a round clutch core guard;

FIG. 2 is a left view thereof;

FIG. 3 is a top view thereof;

FIG. 4 is a right view thereof;

FIG. 5 is a bottom view thereof;

FIG. 6 is a rear view thereof;

FIG. 7 is a rear perspective view thereof; and

FIG. 8 is a front perspective view thereof.

FIG. 9 is a front view illustrating another embodiment of my design for a round clutch core guard;

FIG. 10 is a left view thereof;

FIG. 11 is a top view thereof;

FIG. 12 is a right view thereof;

FIG. 13 is a bottom view thereof;

FIG. 14 is a rear view thereof;

FIG. 15 is a rear perspective view thereof; and,

FIG. 16 is a front perspective view thereof.

The broken lines illustrate portions of the round clutch core guard, which forms no part of the claimed design.

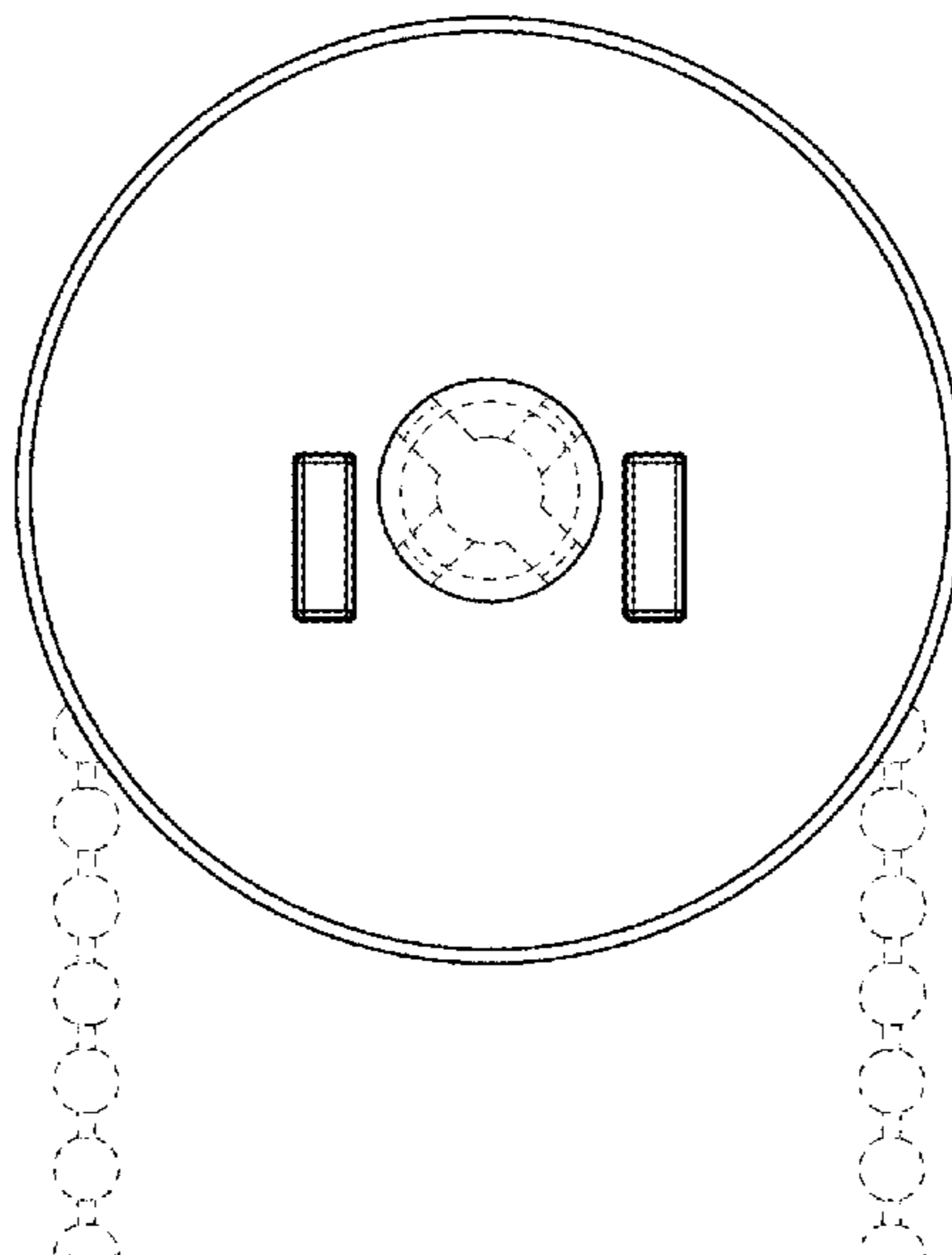
(56) **References Cited**

U.S. PATENT DOCUMENTS

1,909,109	A	5/1933	Kopfstein
2,549,905	A	4/1951	Jablon
3,297,075	A	1/1967	Howell et al.
3,402,421	A	9/1968	Weber
3,417,519	A	12/1968	Hitter
3,454,073	A	7/1969	Man
3,524,491	A	8/1970	Olson
4,122,559	A	10/1978	Kelly
4,197,896	A	4/1980	Reichstadt
D259,810	S	7/1981	Dallaire
D260,183	S	8/1981	Dallaire
4,393,915	A	7/1983	Olson

(Continued)

1 Claim, 16 Drawing Sheets



(56)

References Cited

U.S. PATENT DOCUMENTS

D271,055 S	10/1983	Cascone et al.	8,480,048 B2	7/2013	Krantz-Lilienthal
4,452,294 A	6/1984	Fukuchi	8,528,623 B2	9/2013	Roberts
D294,321 S	2/1988	Olofsson	D691,398 S	10/2013	Chou
4,840,216 A	6/1989	John	D692,685 S	11/2013	Chou
4,935,988 A	6/1990	Ford et al.	D694,039 S	11/2013	Licciardi Di Stefano
4,987,943 A	1/1991	Charest	D694,040 S *	11/2013	Di Stefano D6/580
5,137,073 A	8/1992	Huang	8,584,317 B2	11/2013	Liebscher et al.
5,232,039 A	8/1993	Shapiro et al.	D695,042 S *	12/2013	Licciardi Di Stefano D6/580
5,259,687 A	11/1993	John	D697,335 S	1/2014	Dekker et al.
5,271,687 A	12/1993	Holka et al.	D699,976 S	2/2014	Chou
D345,498 S	3/1994	Fraser et al.	D710,128 S *	8/2014	Garcia D6/581
5,296,964 A	3/1994	Shopp	D715,629 S	10/2014	Grubb et al.
5,330,821 A	7/1994	Lo	8,960,621 B2	2/2015	Wills
D353,209 S	12/1994	Dallaire et al.	D727,659 S *	4/2015	Kao D6/580
D355,094 S	2/1995	Josephson	9,004,142 B2	4/2015	Marocco
D355,604 S	2/1995	De Baschmakoff	9,038,696 B2 *	5/2015	Lava E06B 9/68 160/321
5,647,421 A	7/1997	Hoffman et al.	9,060,636 B2	6/2015	Cannaverde
D382,651 S	8/1997	Colitto	D740,589 S	10/2015	Ng
D382,652 S	8/1997	Colitto	D742,138 S	11/2015	Chou
5,803,144 A	9/1998	Ives	9,175,512 B2 *	11/2015	Lu E06B 9/326
D405,194 S	2/1999	Kenkel	D753,933 S	4/2016	Ng
5,924,255 A	7/1999	Vagedes	D759,400 S	6/2016	Watkins
5,975,186 A	11/1999	Day	D762,398 S	8/2016	Ng
D429,588 S	8/2000	Smederod	9,498,079 B2	11/2016	Sanchuk
6,111,694 A	8/2000	Shopp	D775,939 S	1/2017	Ng
6,173,825 B1	1/2001	Liu	D780,945 S	3/2017	Guillemi
6,196,508 B1	3/2001	Nijs	D789,454 S	6/2017	Prisnie
6,202,967 B1	3/2001	Fraczek	D791,580 S	7/2017	Chou
D440,099 S	4/2001	Hortsen	D793,765 S	8/2017	Chou
6,230,782 B1	5/2001	Reichert	D798,133 S *	9/2017	Ng D8/380
6,234,233 B1	5/2001	Biro	D808,684 S	1/2018	Santilli
6,269,909 B1	8/2001	Grimes et al.	D808,685 S	1/2018	Raiti
6,408,922 B2	6/2002	Desrochers	D813,570 S *	3/2018	Santilli D6/580
D468,453 S	1/2003	Schrader	9,976,346 B2	5/2018	Ng
6,532,109 B1	3/2003	Shopp	D822,228 S	7/2018	Wang et al.
D479,934 S	9/2003	Colson et al.	D828,052 S	9/2018	Bouroullec et al.
6,666,251 B2	12/2003	Ikle	D833,175 S	11/2018	Miroshnichenko et al.
D489,209 S	5/2004	Goldberg	D843,130 S	3/2019	Bacal
6,739,373 B1	5/2004	Liu et al.	D843,131 S	3/2019	Chou
D492,809 S	7/2004	Weitgasser	10,309,153 B2	6/2019	McPherson et al.
D494,401 S	8/2004	Davies et al.	D854,192 S	7/2019	Rokvic
6,817,399 B2	11/2004	Berman et al.	D854,855 S	7/2019	Garcia Garcia
6,817,402 B1	11/2004	Fraczek et al.	D854,856 S	7/2019	Garcia Garcia
6,978,821 B2	12/2005	Welfonder	10,407,905 B2	9/2019	Neal
7,048,028 B2	5/2006	Wolfe et al.	10,544,621 B2	1/2020	Mocanu et al.
D530,967 S	10/2006	Smith	D878,103 S	3/2020	Bacal
7,141,164 B2	11/2006	Slack et al.	10,619,412 B2	4/2020	Chen et al.
7,168,475 B2	1/2007	Colson et al.	D885,084 S	5/2020	Chiquin
D537,173 S	2/2007	Westphal et al.	10,648,230 B2	5/2020	Holt et al.
7,195,052 B2	3/2007	Nien et al.	D911,064 S	2/2021	Holt et al.
D542,068 S	5/2007	Watkins et al.	D920,004 S	5/2021	Chiquin
7,210,513 B2	5/2007	Goldenberg et al.	D936,388 S	11/2021	Schwandt et al.
D557,116 S	12/2007	Zakowski	D940,477 S	1/2022	Chiquin
7,353,857 B2	4/2008	Koop	11,332,974 B2	5/2022	Chiquin
7,367,536 B1	5/2008	Anderson et al.	D954,467 S	6/2022	Chiquin
7,380,582 B1	6/2008	Anderson et al.	2003/0178276 A1	9/2003	Fraczek et al.
D573,267 S	7/2008	Brinton et al.	2004/0129391 A1	7/2004	Gottschall et al.
D577,138 S	9/2008	Kitagawa et al.	2004/0182522 A1	9/2004	Strand et al.
D591,442 S	4/2009	Ford et al.	2005/0247413 A1	11/2005	Nien et al.
D596,435 S	7/2009	Wills	2005/0269044 A1	12/2005	Nien
D599,051 S	8/2009	Wu et al.	2006/0000559 A1	1/2006	Bohlen
D604,885 S	11/2009	Ford et al.	2006/0049325 A1	3/2006	Jung
7,614,439 B2	11/2009	Lukos	2006/0113046 A1	6/2006	Prince et al.
D616,567 S	5/2010	Desrosiers et al.	2006/0243402 A1	11/2006	Chang
D616,568 S	5/2010	Desrosiers et al.	2007/0169900 A1	7/2007	Chen et al.
7,770,625 B2	8/2010	Lukos	2007/0221344 A1	9/2007	Beach et al.
D628,715 S	12/2010	Gosling et al.	2007/0284051 A1	12/2007	Grimes et al.
D634,573 S	3/2011	Risher	2008/0035281 A1	2/2008	Kirby
7,921,602 B2	4/2011	Ohanesian	2008/0245489 A1	10/2008	Chuang et al.
7,997,041 B2	8/2011	Slack et al.	2009/0229767 A1	9/2009	Mullet et al.
D652,568 S	1/2012	Trzesniowski	2009/0250177 A1	10/2009	Byeon
8,136,569 B2	3/2012	Bohlen et al.	2009/0258752 A1	10/2009	Bohlen et al.
8,220,520 B2	7/2012	Lukos	2010/0101741 A1	4/2010	Koop
D675,050 S	1/2013	Garcia	2010/0175838 A1	7/2010	Faller et al.
D680,357 S	4/2013	Wills et al.	2010/0300631 A1	12/2010	Sullivan
			2011/0006176 A1	1/2011	Krantz-Lilienthal
			2011/0049071 A1	3/2011	Hart et al.
			2011/0114809 A1	5/2011	Ng

(56)

References Cited

U.S. PATENT DOCUMENTS

2012/0012262 A1 1/2012 Santoro et al.
 2012/0031572 A1 2/2012 Ng et al.
 2012/0061034 A1 3/2012 Ng
 2012/0097346 A1 4/2012 Ng
 2012/0255686 A1 10/2012 Huang
 2013/0048229 A1 2/2013 Dwarka
 2013/0068405 A1 3/2013 Lava et al.
 2013/0098563 A1 4/2013 Jang
 2013/0176743 A1 7/2013 Pfund et al.
 2014/0009519 A1 1/2014 Kumagai et al.
 2014/0048218 A1 2/2014 Ng
 2014/0251558 A1 9/2014 Chou
 2014/0262076 A1 9/2014 Mullet et al.
 2014/0305602 A1 10/2014 Kirby et al.
 2014/0352897 A1 12/2014 Mullet et al.
 2015/0027059 A1 1/2015 Lu et al.
 2015/0047792 A1 2/2015 Lukosiunas et al.
 2015/0075726 A1 3/2015 Byun
 2015/0240851 A1 10/2015 Giacometti et al.
 2015/0275571 A1 10/2015 Guhl
 2015/0292261 A1 10/2015 Chou
 2015/0292262 A1 10/2015 Miller et al.
 2015/0297014 A1 10/2015 Cannaverde
 2015/0368970 A1 12/2015 Chambers et al.
 2016/0032646 A1 2/2016 Fleischman
 2016/0051074 A1 2/2016 Chou
 2016/0090779 A1 3/2016 Nurre et al.
 2016/0130869 A1 5/2016 Cheng
 2016/0298375 A1 10/2016 Wagner et al.
 2016/0326800 A1 11/2016 Marocco
 2016/0340972 A1 11/2016 Chou
 2017/0009519 A1 1/2017 Marocco
 2017/0079459 A1 3/2017 Filko
 2017/0114593 A1 4/2017 Hebeisen et al.
 2018/0087319 A1 3/2018 McPherson et al.
 2018/0202157 A1 7/2018 Neal
 2019/0264499 A1 8/2019 McNeill et al.
 2019/0352963 A1 11/2019 Jang

2020/0052515 A1 2/2020 Nien et al.
 2020/0095825 A1 3/2020 Chen et al.
 2020/0131846 A1 4/2020 Hebeisen et al.
 2020/0208464 A1 7/2020 Guest et al.
 2020/0355026 A1 11/2020 Liu
 2021/0310299 A1 10/2021 Chiquin

FOREIGN PATENT DOCUMENTS

BG 6230-0016 9/2006
 BR 3020120013798 2/2013
 BR 3020120056900 3/2016
 CN 2012300548304 3/2013
 CN 2012303568969 4/2013
 CO 07051520 5/2007
 CO 282 7/2012
 EM 000113899-0003 4/2003
 EM 000275839-0002 12/2004
 EM 000279633-0001 1/2005
 EM 000518923-0001 4/2006
 EM 000795752-0001 9/2007
 EM 001084370-0013 2/2009
 EM 001102875-0002 3/2009
 EM 0013369940001 7/2012
 EM 003342013-0012 8/2016
 GB 2052622 12/1995
 GB 2391577 2/2004
 MX 38640 5/2013
 PE 002031-2018 1/2019
 WO WOD068016-0004 6/2006
 WO WOD086931-0004 6/2015

OTHER PUBLICATIONS

Rollashade, Rollashade Contract Series, Feb. 5, 2018.
 ROLLEASEACMEDA, System Quick Reference Guide; https://www.rollaseacmeda.com/docs/default-source/default-document-library/edge-side-channels_qrg_us_v1-0.pdf?sfvrsn=0&sfvrsn=0, Feb. 5, 2018.

* cited by examiner

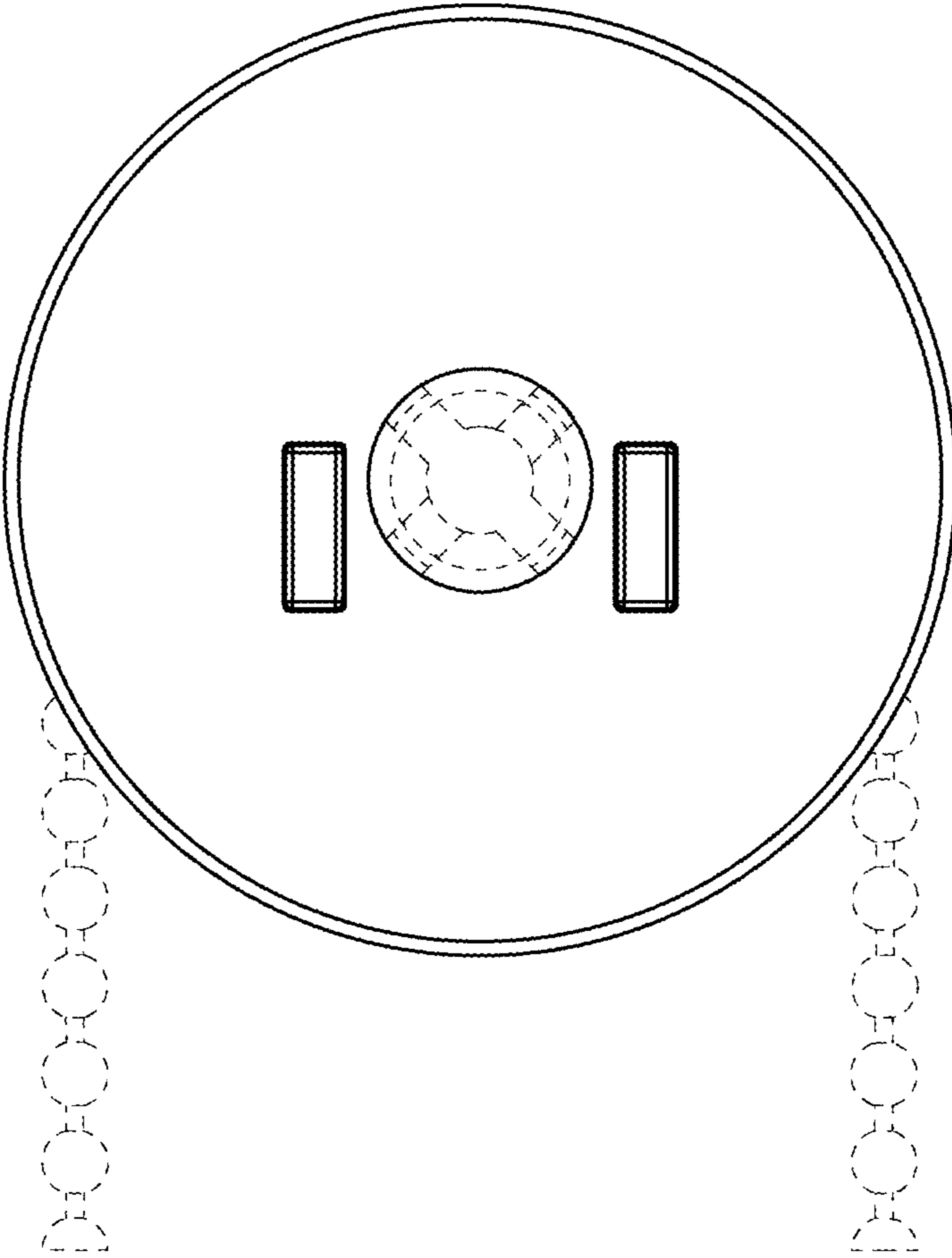


FIG. 1

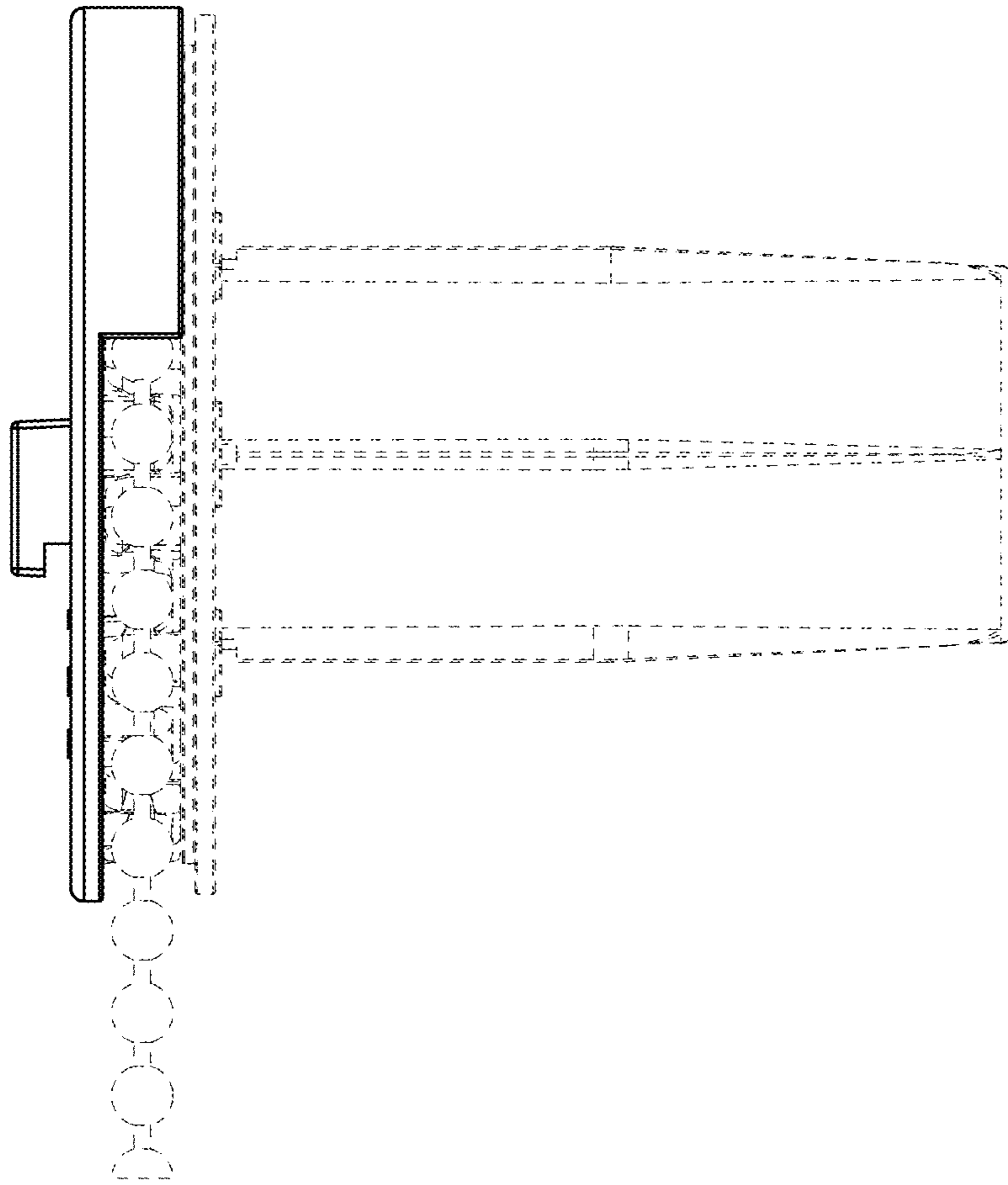


FIG. 2

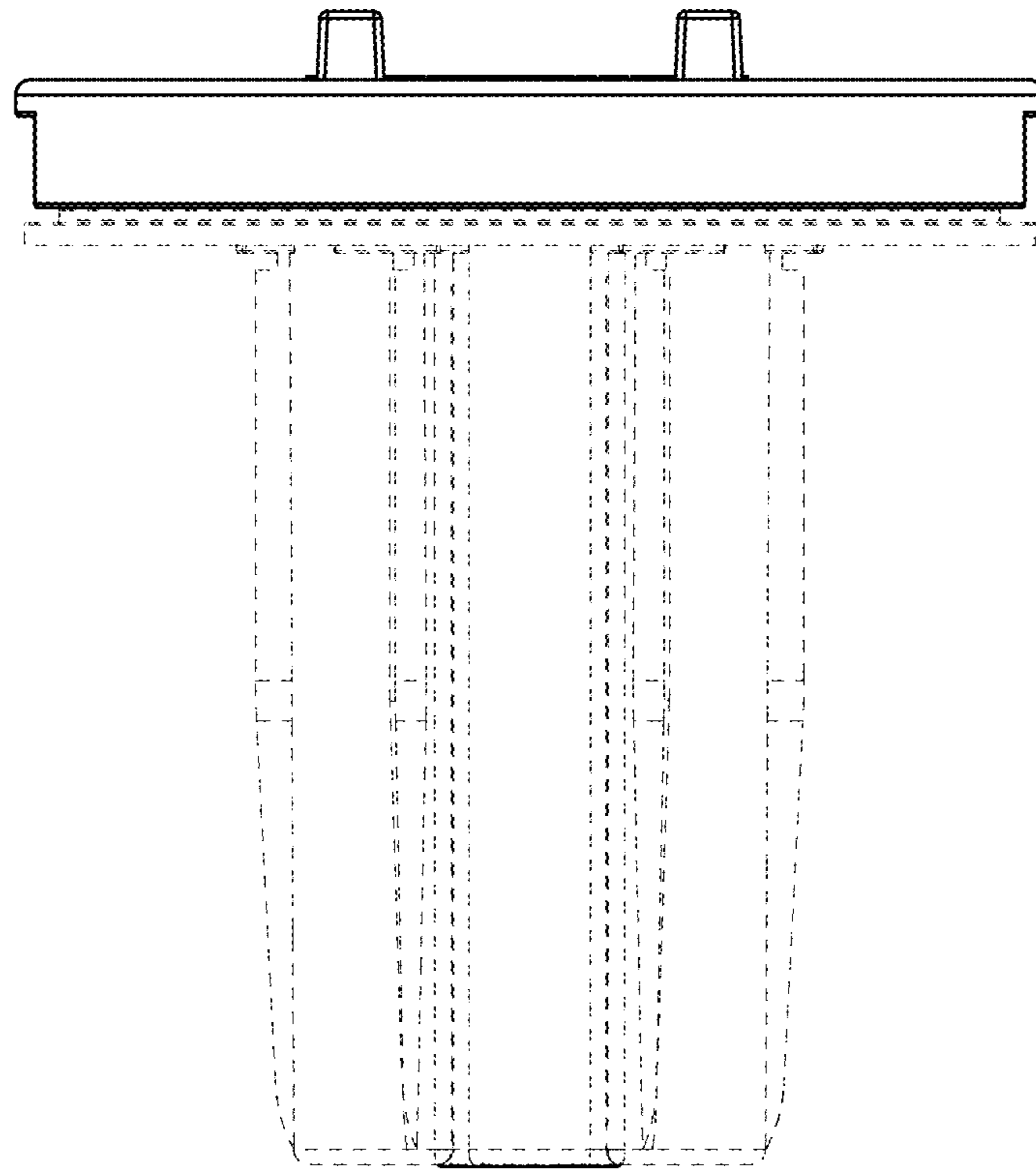


FIG. 3

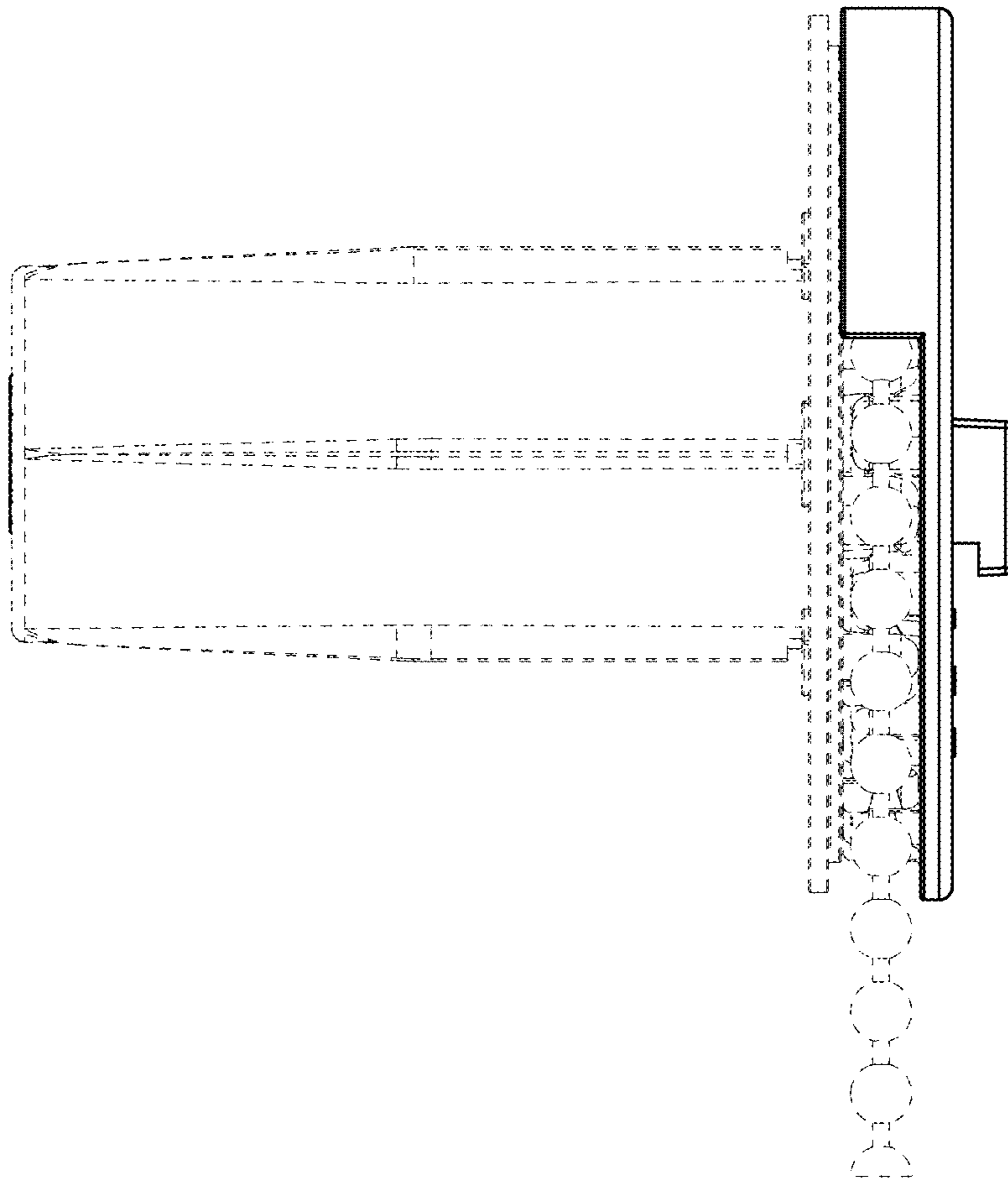


FIG. 4

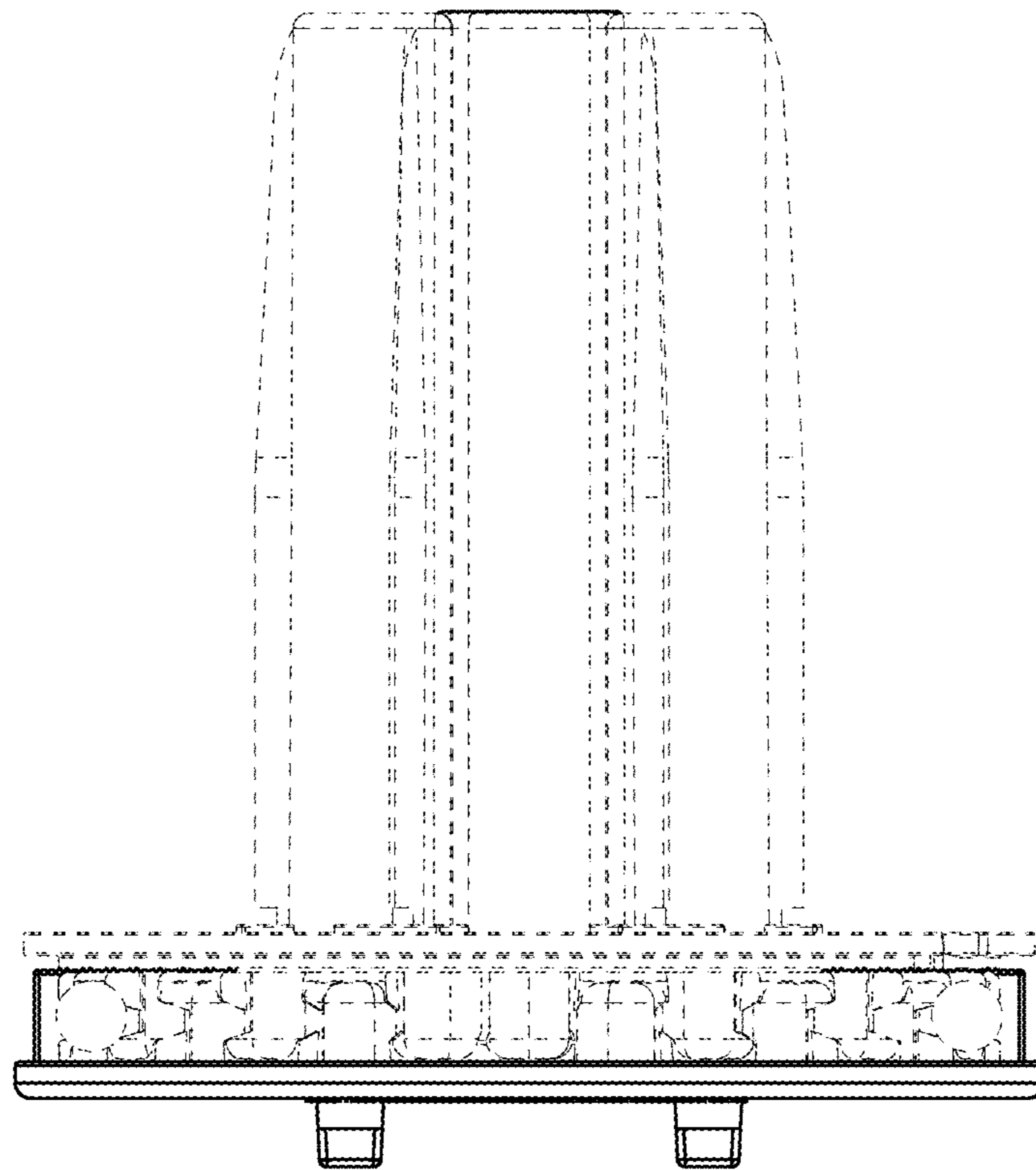


FIG. 5

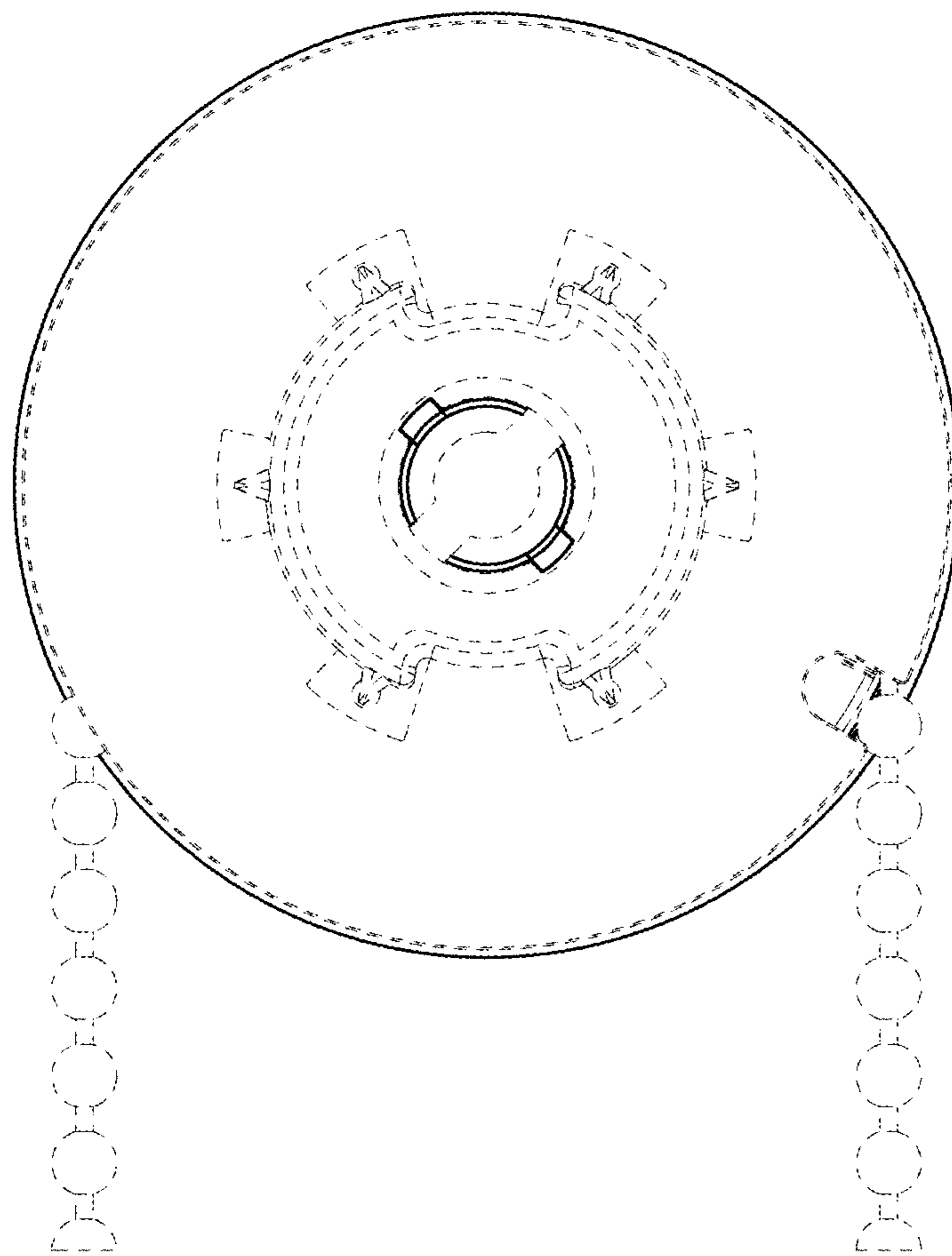


FIG. 6

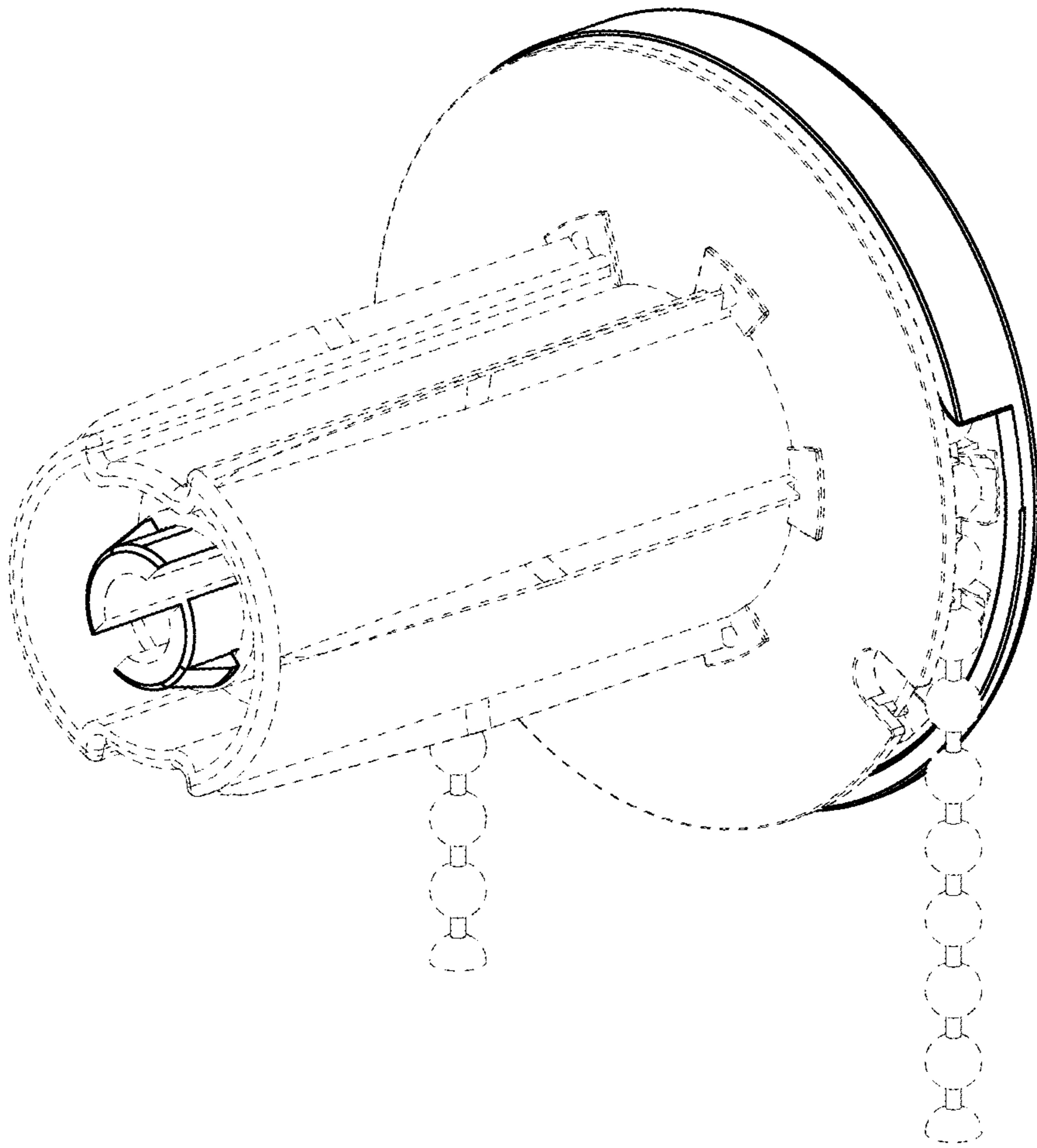


FIG. 7

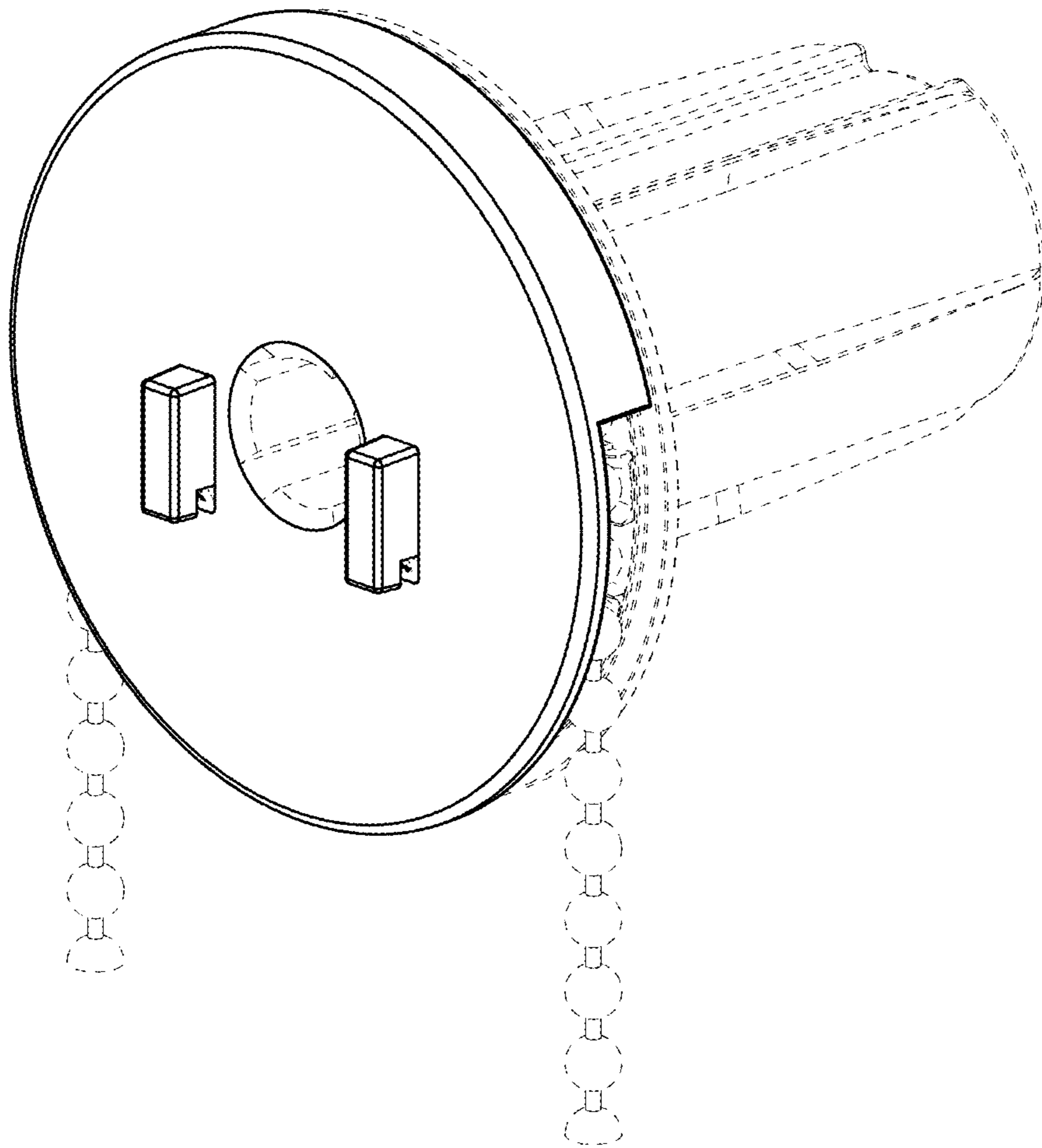


FIG. 8

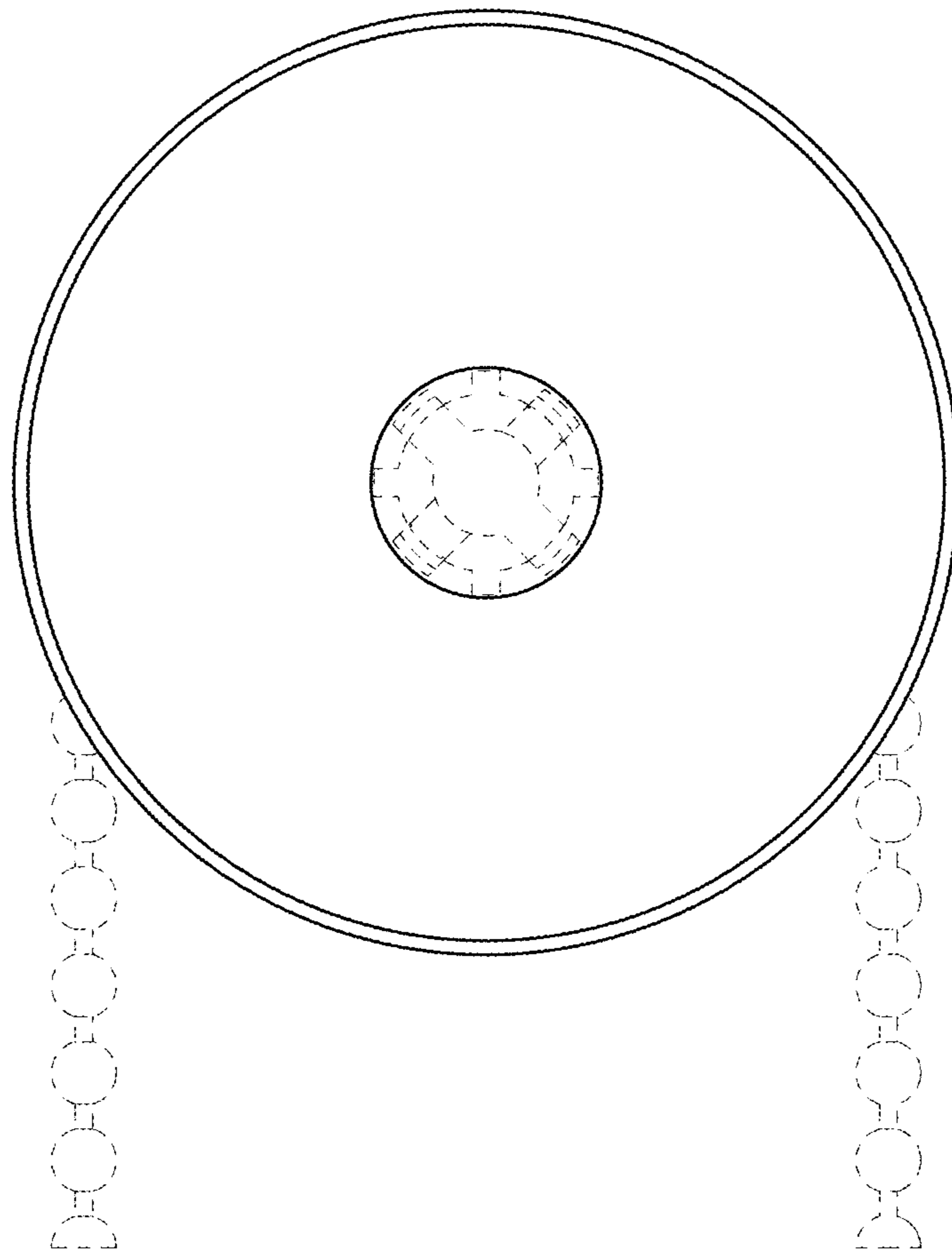


FIG. 9

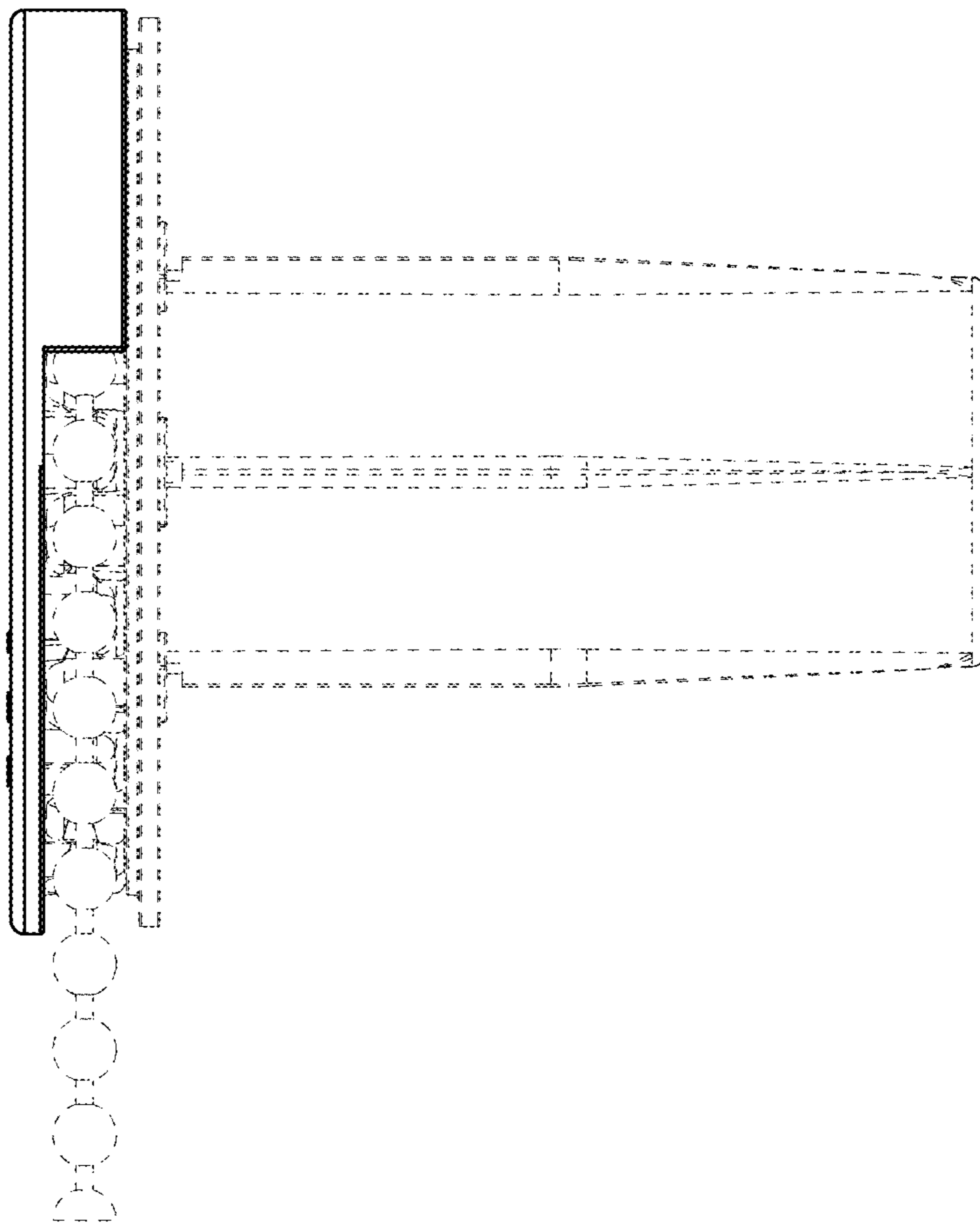


FIG. 10

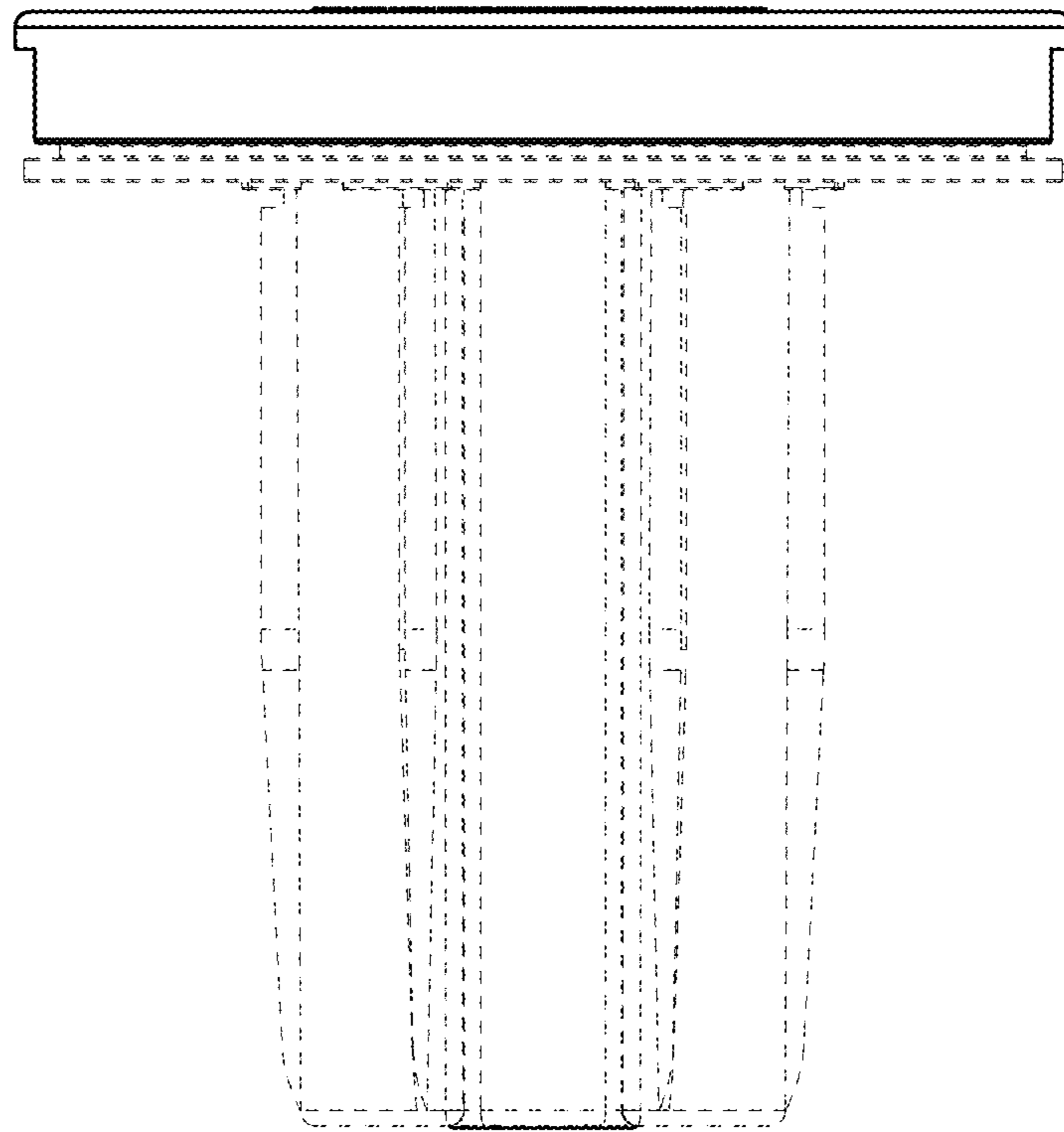


FIG. 11

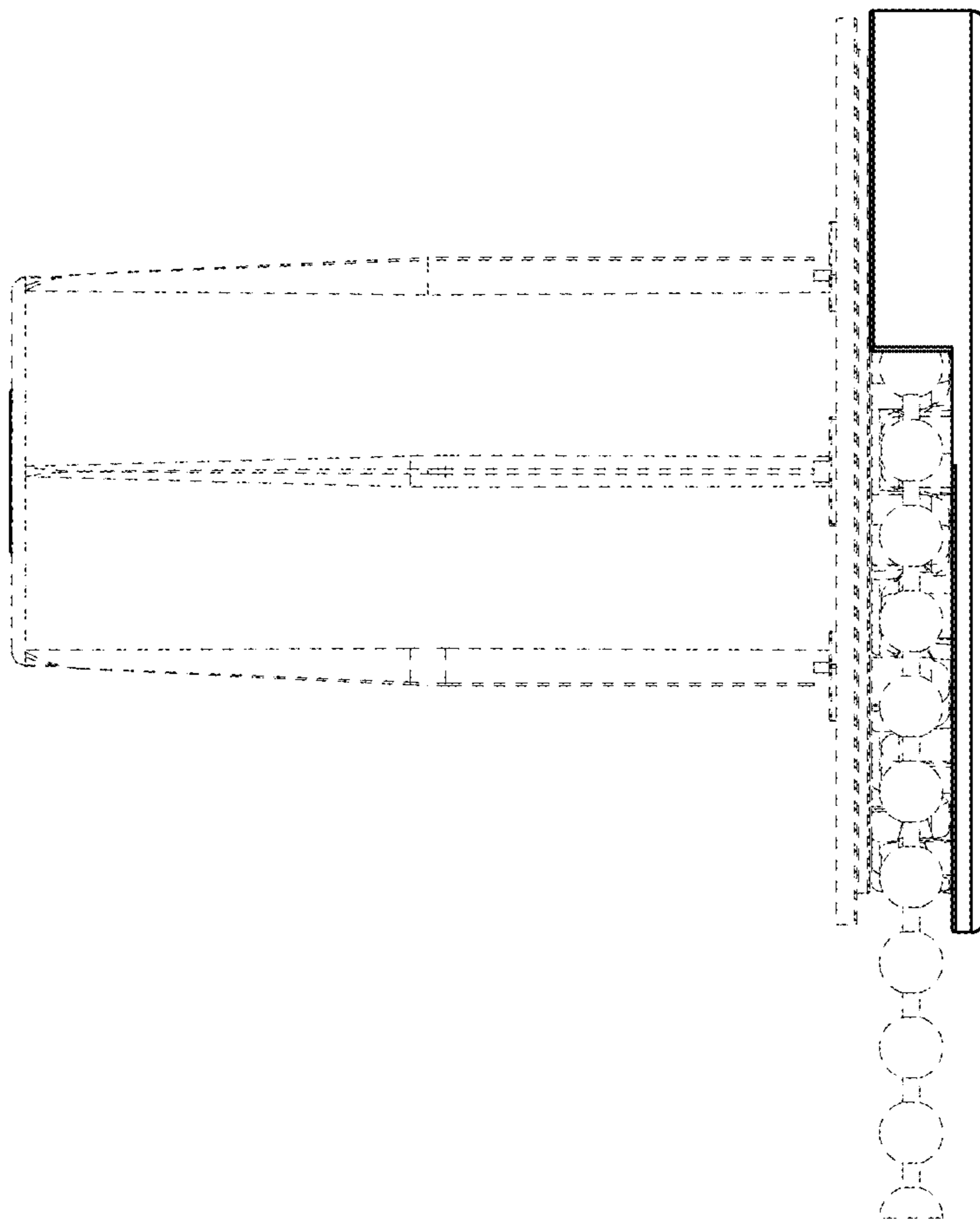


FIG. 12

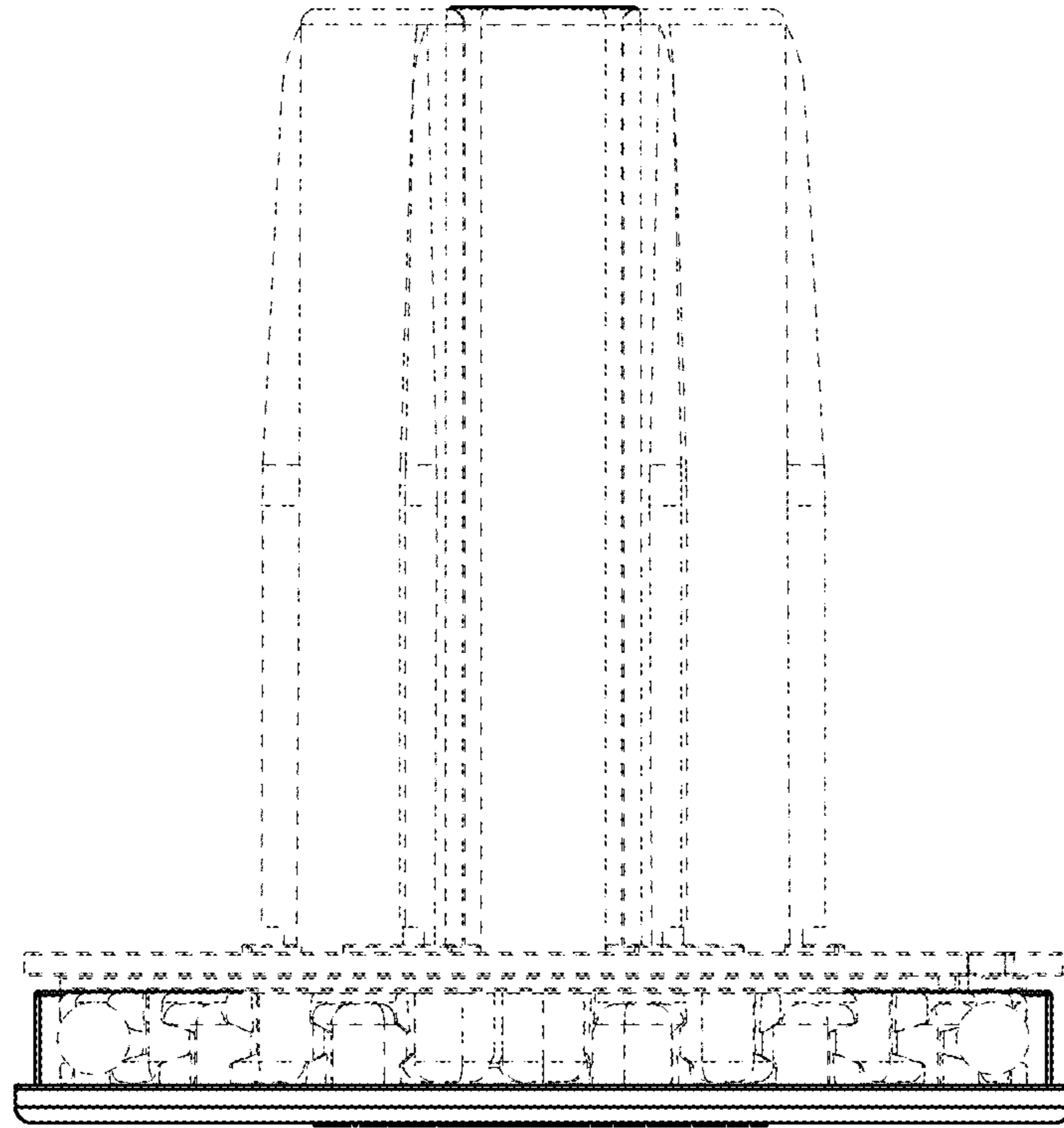


FIG. 13

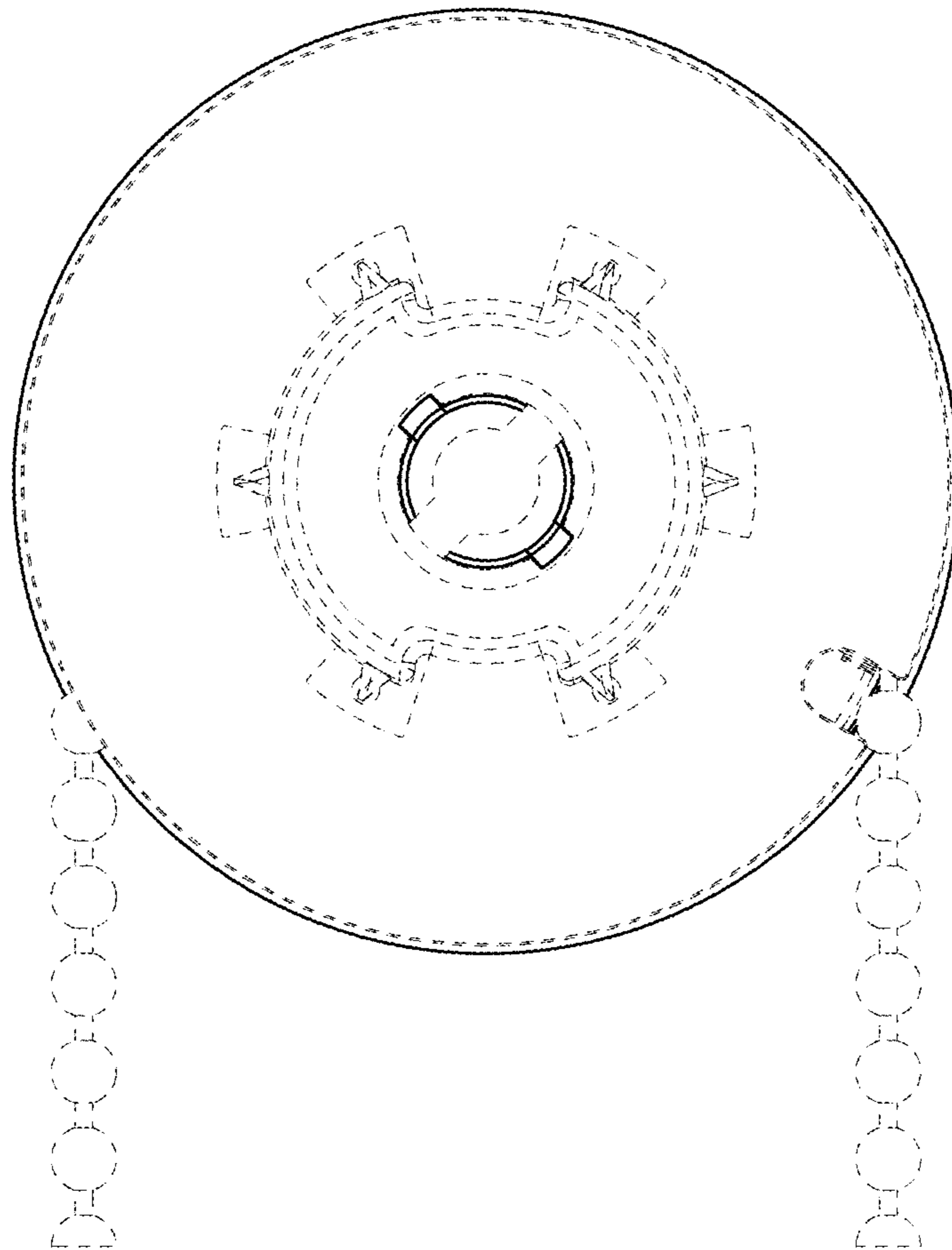


FIG. 14

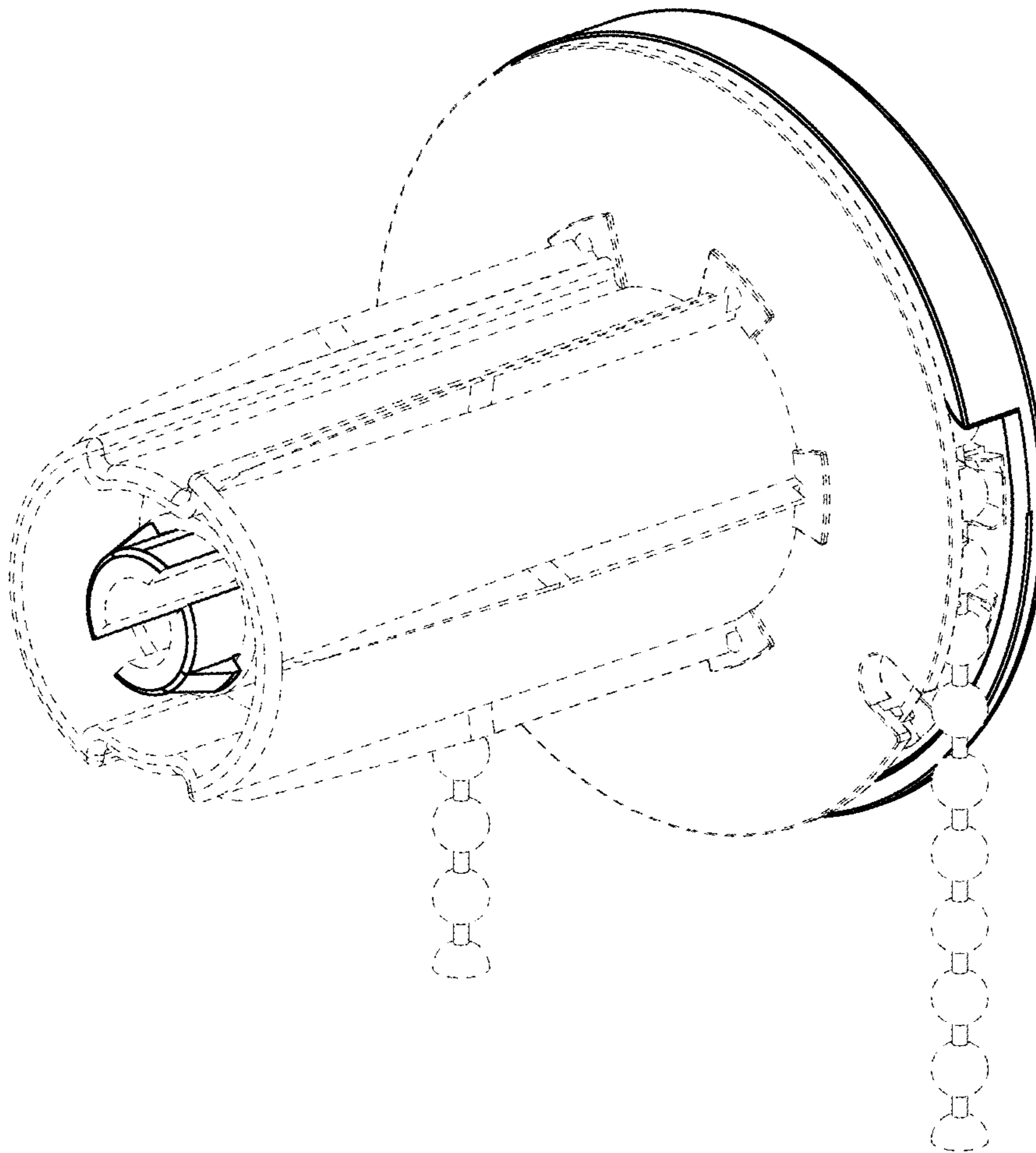


FIG. 15

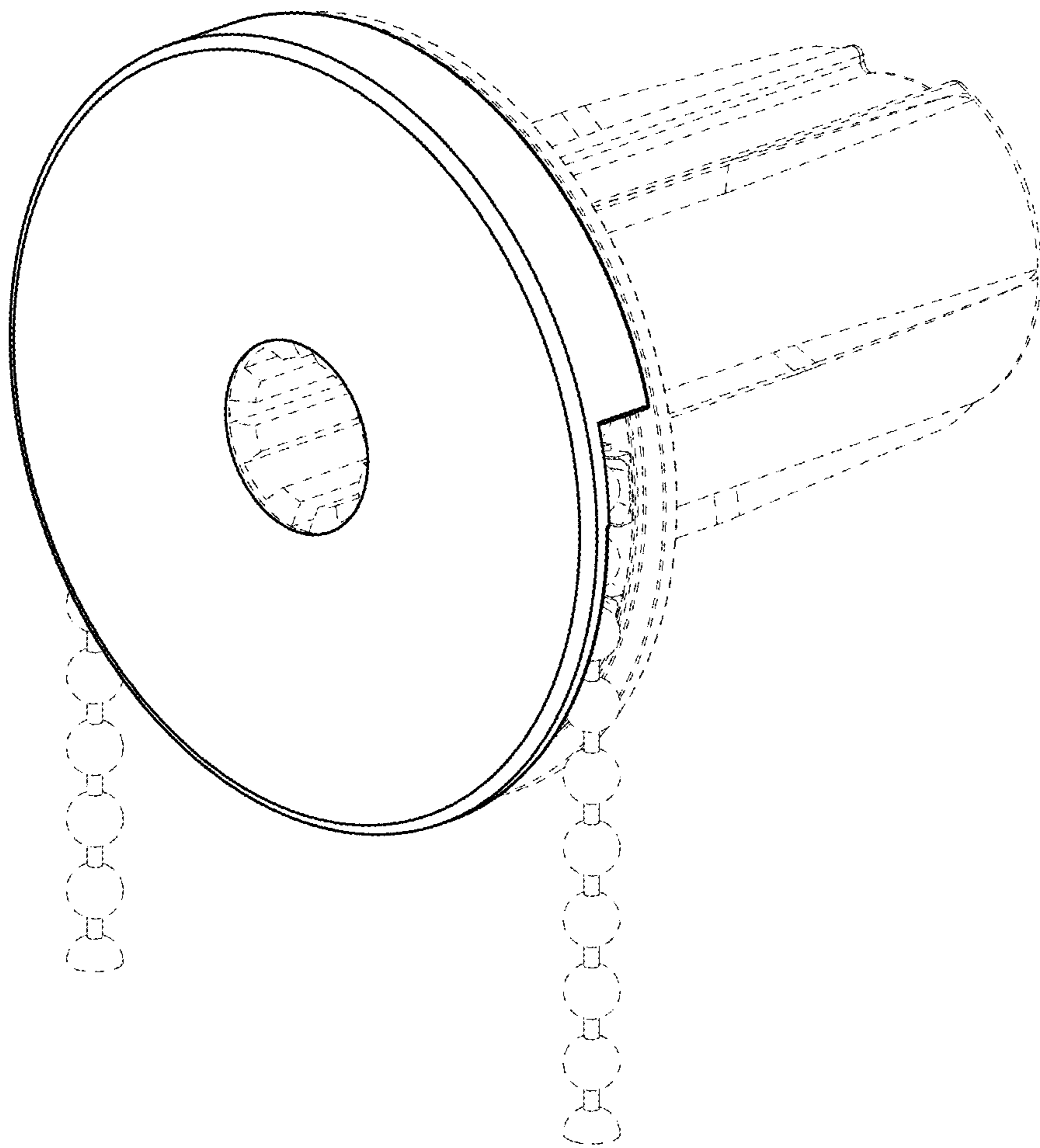


FIG. 16