



US00D970252S

(12) **United States Design Patent** (10) **Patent No.:** **US D970,252 S**
Cook et al. (45) **Date of Patent:** **** Nov. 22, 2022**

(54) **DISPENSING STATION**

- (71) Applicant: **Bob's Space Racers, Inc.**, Holly Hill, FL (US)
- (72) Inventors: **Glenda Cassata Cook**, Ormond Beach, FL (US); **Jack Cook**, Ormond Beach, FL (US)
- (73) Assignee: **Bob's Space Racers, Inc.**, Holly Hill, FL (US)
- (**) Term: **15 Years**

- (21) Appl. No.: **29/746,392**
- (22) Filed: **Aug. 13, 2020**
- (51) **LOC (13) Cl.** **23-08**
- (52) **U.S. Cl.**
USPC **D6/542**
- (58) **Field of Classification Search**
USPC D6/524, 553, 286, 515, 518, 520, 542, D6/663; D4/199; D32/35, 54; D7/306; D23/234, 270, 286
CPC A47K 4/00; A47K 1/02; A47K 2210/00; B05B 11/3035
See application file for complete search history.

(56) **References Cited**

U.S. PATENT DOCUMENTS

- 55,982 A * 7/1866 Bayley A47K 1/02 312/290
- 1,654,616 A * 1/1928 Spann A47B 81/005 312/204
- D85,766 S * 12/1931 Renzenhausen et al. D6/542
- D184,383 S * 2/1959 Stevens D23/286
- D255,924 S * 7/1980 Rosenkranz D23/292

(Continued)

FOREIGN PATENT DOCUMENTS

- EM 007872361-0001 5/2020
- GB 6089861 5/2020
- GB 6091415 6/2020

OTHER PUBLICATIONS

Hand Sanitizing Stations, available in facebook.com, published May 14, 2020 Year 2020 [online], Retrieved on Mar. 28, 2022 from URL: <https://www.facebook.com/BSRGames/photos/a.444212905642612/3126097714120771/?type=3&theater> (Year: 2020).*

Primary Examiner — Vy N Koenig

Assistant Examiner — Michelle M Reeves

(74) *Attorney, Agent, or Firm* — Standley Law Group LLP; Jeffrey Standley; Kenny Pung

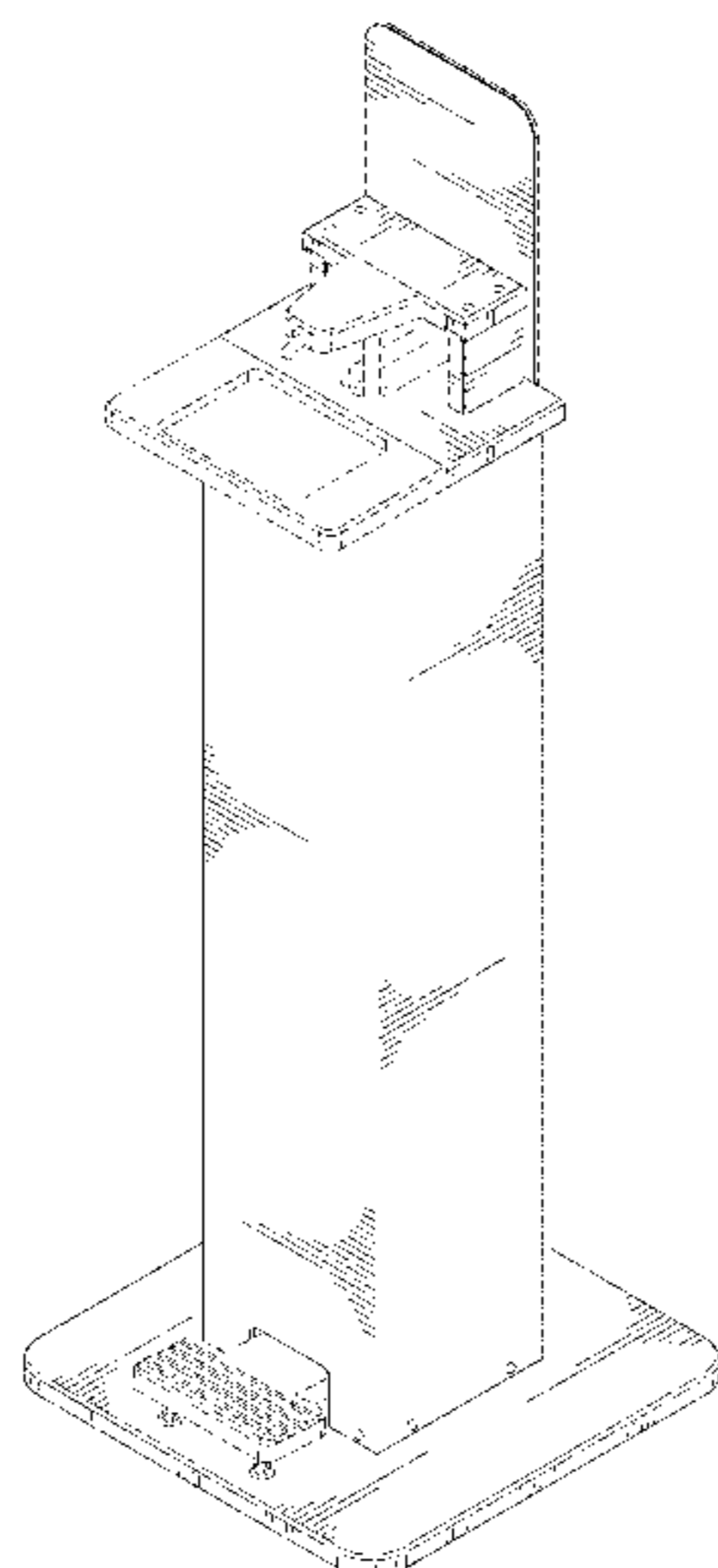
(57) **CLAIM**

The ornamental design for a dispensing station, as shown and described.

DESCRIPTION

FIG. 1 is a front perspective view of an exemplary dispensing station of the present invention with a pump bottle dispenser shown in broken lines to provide environment; FIG. 2 is a front elevation view of the dispensing station thereof; FIG. 3 is rear elevation view of the dispensing station thereof; FIG. 4 is a left-side elevation view of the dispensing station thereof, the right-side elevation view being a mirror image thereof; and, FIG. 5 is a top plan view of the dispensing station thereof. The long dash/short dash lines shown in FIG. 1 and 5 depict the boundaries of the claim and form no part of the claimed design. The evenly dashed broken lines shown and described in FIG. 1 as the pump bottle dispenser depict environmental subject matter and form no part of the claimed design. The additional broken lines in FIGS. 1-5 of the drawings illustrate portions of the dispensing station that form no part of the claimed design.

1 Claim, 5 Drawing Sheets



(56)

References Cited

U.S. PATENT DOCUMENTS

D279,062	S *	6/1985	Kanfer	D6/545
D318,598	S	7/1991	Plough	
D359,546	S	6/1995	Savage et al.	
D368,856	S	4/1996	Peay	
D385,138	S	10/1997	Warshawsky	
D430,984	S *	9/2000	Camarena	D6/520
6,302,350	B1 *	10/2001	Burrell	A47K 10/38 242/560
6,662,971	B1	12/2003	Nguyen et al.	
D486,335	S	2/2004	Sonneman	
D522,269	S *	6/2006	Walker	D6/663
D531,442	S *	11/2006	Chou	D6/542
D544,071	S *	6/2007	Teuscher	D23/234
D553,876	S *	10/2007	Walker	D6/663
D604,544	S	11/2009	Daams	
D625,536	S *	10/2010	Moed	D6/518
D625,538	S	10/2010	Lorenzatti	
D632,765	S *	2/2011	Stob	D23/270
8,082,611	B1 *	12/2011	Marshall	A47K 1/02 239/146
D667,660	S *	9/2012	Adolf	D6/518
D671,346	S	11/2012	Zlatic et al.	
D737,417	S *	8/2015	Tronza	D23/286
D767,916	S *	10/2016	Morrison	D6/515
D812,928	S	3/2018	Buell et al.	
D818,739	S	5/2018	Buell et al.	
D835,923	S	12/2018	Buell et al.	
11,224,889	B1	1/2022	Cadkin et al.	
D947,989	S	4/2022	Cadkin et al.	
2008/0063470	A1	3/2008	Bousson et al.	
2010/0052549	A1	3/2010	Hudson et al.	
2017/0112121	A1	4/2017	Ryan	
2022/0039551	A1 *	2/2022	McSmith	A47K 5/1202
2022/0061594	A1 *	3/2022	Berman	A47K 5/1217

* cited by examiner

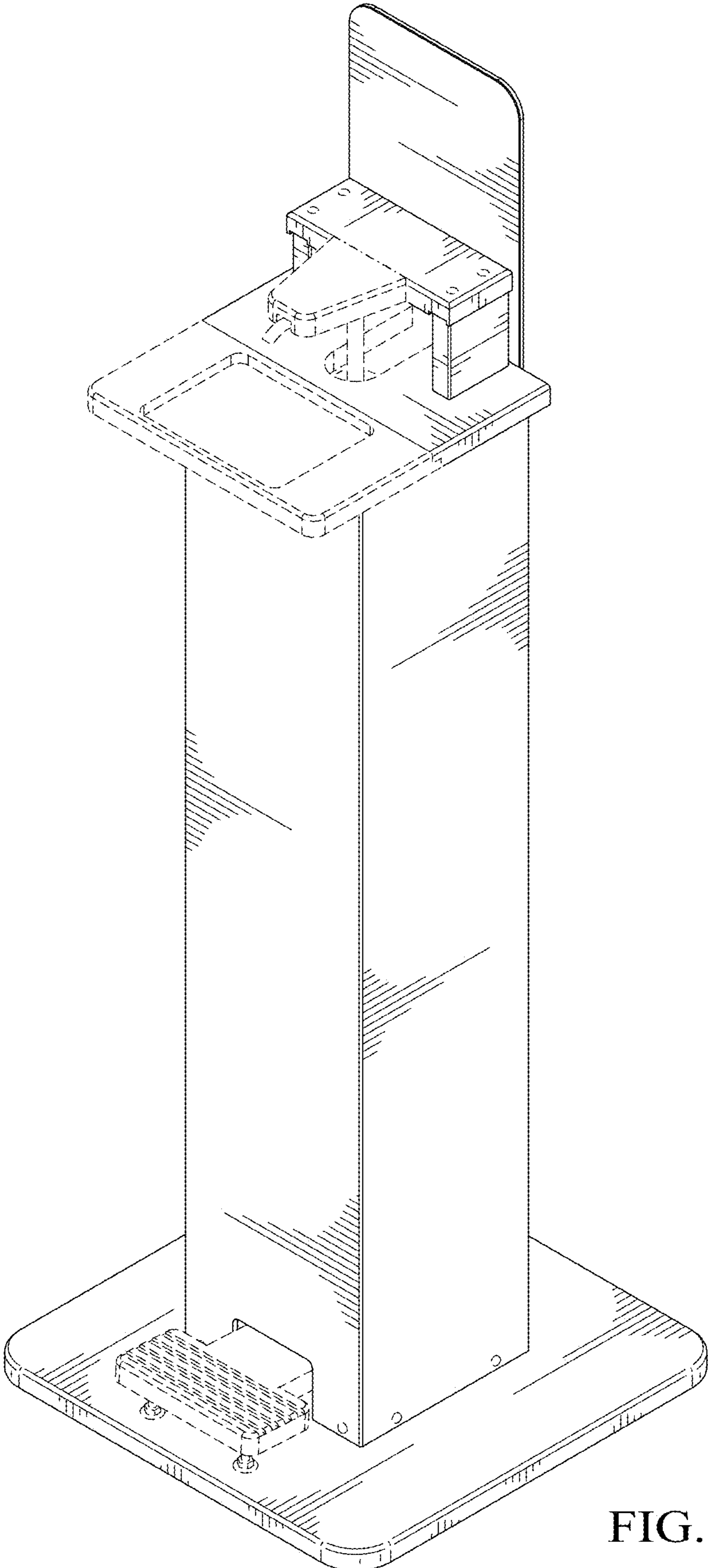


FIG. 1

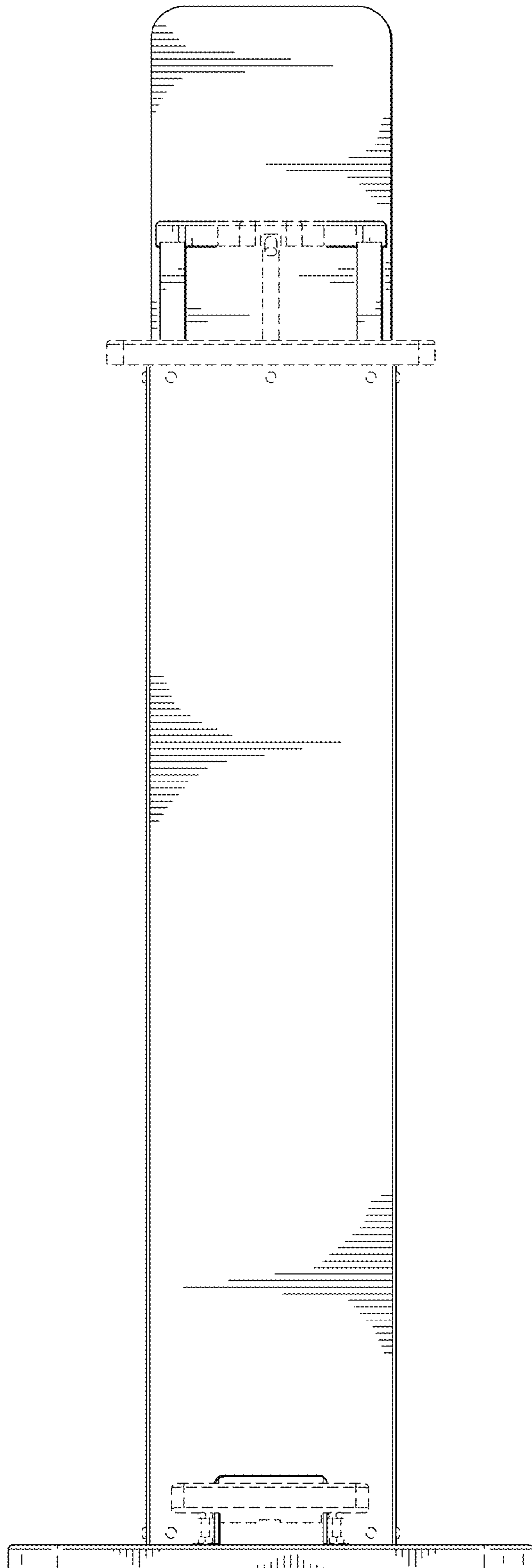


FIG. 2

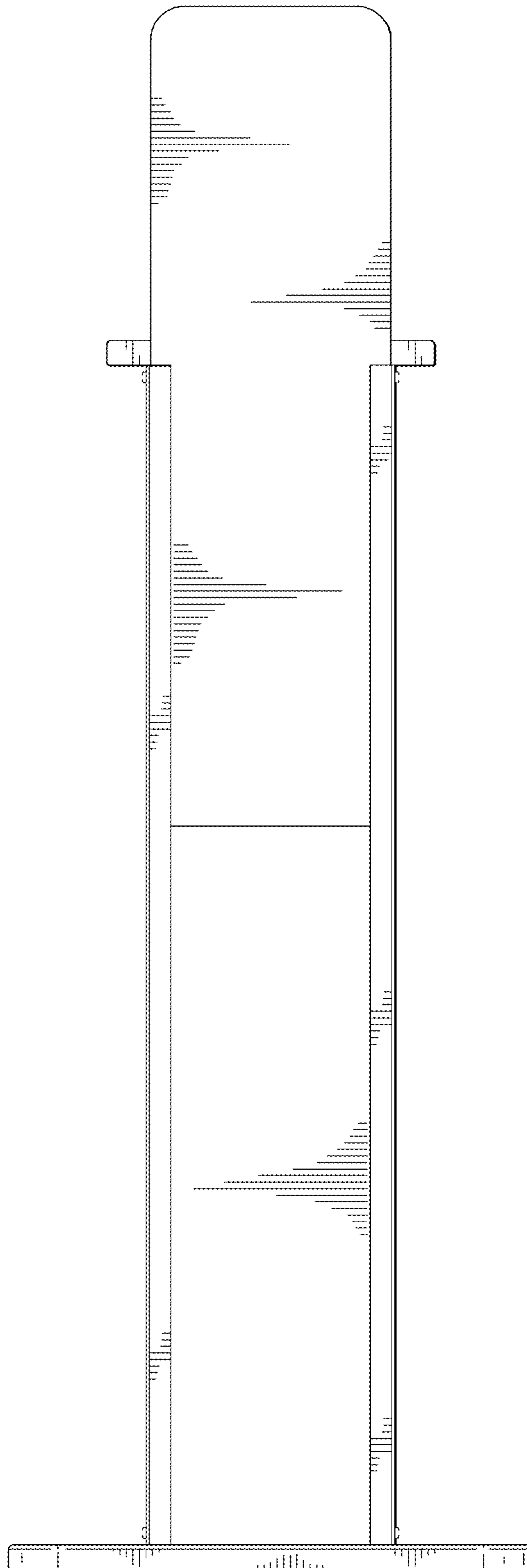


FIG. 3

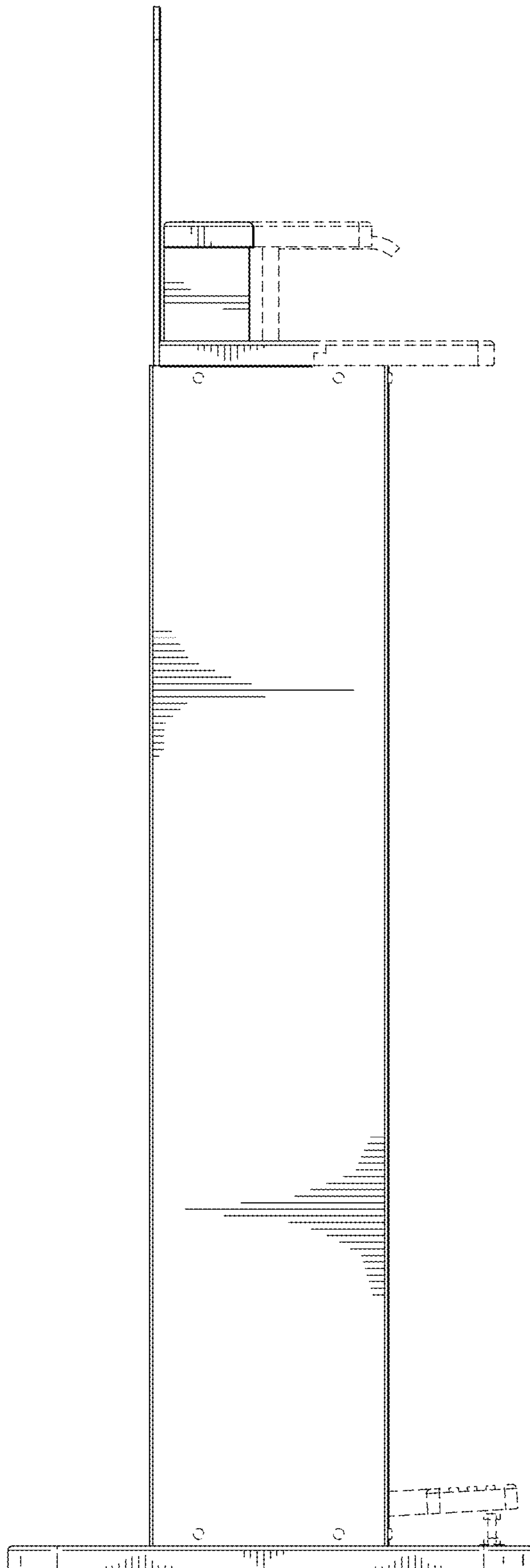


FIG. 4

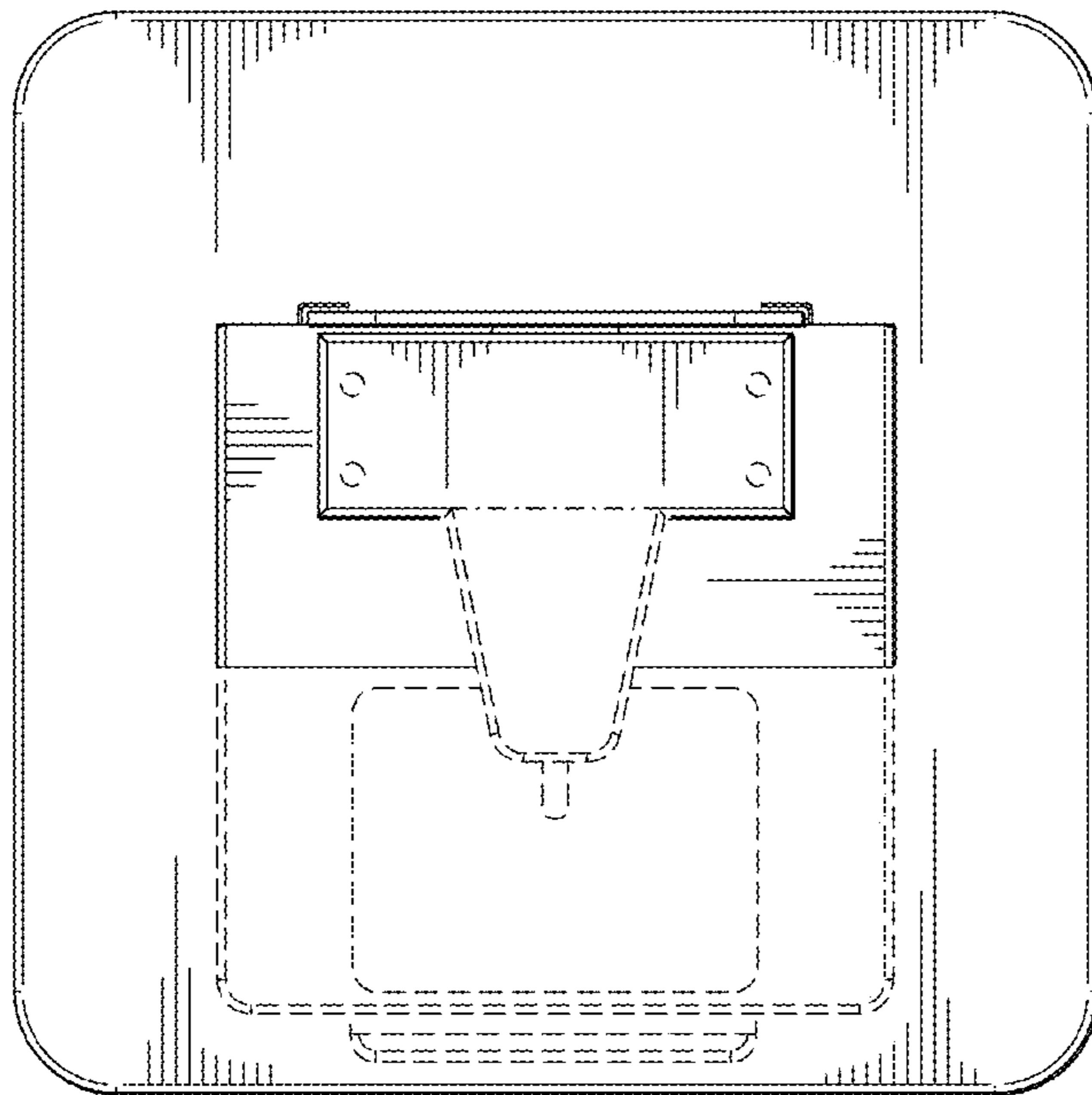


FIG. 5