



US00D970251S

(12) **United States Design Patent** (10) **Patent No.:** **US D970,251 S**
Tran (45) **Date of Patent:** **** Nov. 22, 2022**

(54) **SOAP CONTAINER**
(71) Applicant: **Tran & Tran Holding GmbH**, Amberg (DE)
(72) Inventor: **Beate Tran**, Amberg (DE)
(73) Assignee: **Tran & Tran Holdings GmbH**, Amberg (DE)
(**) Term: **15 Years**

D757,458 S * 5/2016 Snell D6/536
D817,023 S * 5/2018 Oliver D6/536
D839,619 S * 2/2019 Umholtz D6/356
D841,975 S * 3/2019 Peng D3/205
D846,264 S * 4/2019 Wu D3/201
D876,536 S * 2/2020 Shirley D18/50
D878,048 S * 3/2020 Wang D3/294
D887,701 S * 6/2020 Schaeppers D3/203.1
D902,580 S * 11/2020 Amatoury D3/203.1
D908,959 S * 1/2021 Ramm D3/205
D908,960 S * 1/2021 Ramm D3/205
D916,497 S * 4/2021 Levy D6/536
D926,465 S * 8/2021 Schaeppers D3/203.1

(Continued)

(21) Appl. No.: **35/511,732**

(22) Filed: **Dec. 30, 2020**

(80) **Hague Agreement Data**

Int. Filing Date: **Dec. 30, 2020**
Int. Reg. No.: **DM/213714**
Int. Reg. Date: **Dec. 30, 2020**
Int. Reg. Pub. Date: **Apr. 23, 2021**

(51) **LOC (13) Cl.** **23-08**

(52) **U.S. Cl.**
USPC **D6/536**

(58) **Field of Classification Search**
USPC D3/201, 203.1, 205, 215, 216, 217, 327;
D6/512, 524, 536, 537, 538, 539
CPC ... A47K 5/03; A47K 5/02; A47K 5/04; A47K
5/08

See application file for complete search history.

(56) **References Cited**

U.S. PATENT DOCUMENTS

D484,305 S * 12/2003 Eldon, III D3/205
D562,545 S * 2/2008 Dawson D3/203.1
D578,386 S * 10/2008 Silvenis D3/203.1
D592,399 S * 5/2009 Sage D3/295
D641,164 S * 7/2011 Cornu D3/294
D672,554 S * 12/2012 Penttinen D3/273
D694,102 S * 11/2013 Bellamah D9/424

OTHER PUBLICATIONS

Savont soap holder, posted at savont.de, posted on Jan. 21, 2019, site visited Apr. 12, 2022. online, available from internet: <https://web.archive.org/web/20190121082525/https://www.savont.de/en/> (Year: 2019).*

(Continued)

Primary Examiner — Catherine Ho

(74) *Attorney, Agent, or Firm* — Bryan W. Bockhop; Bockhop Intellectual Property Law, LLC

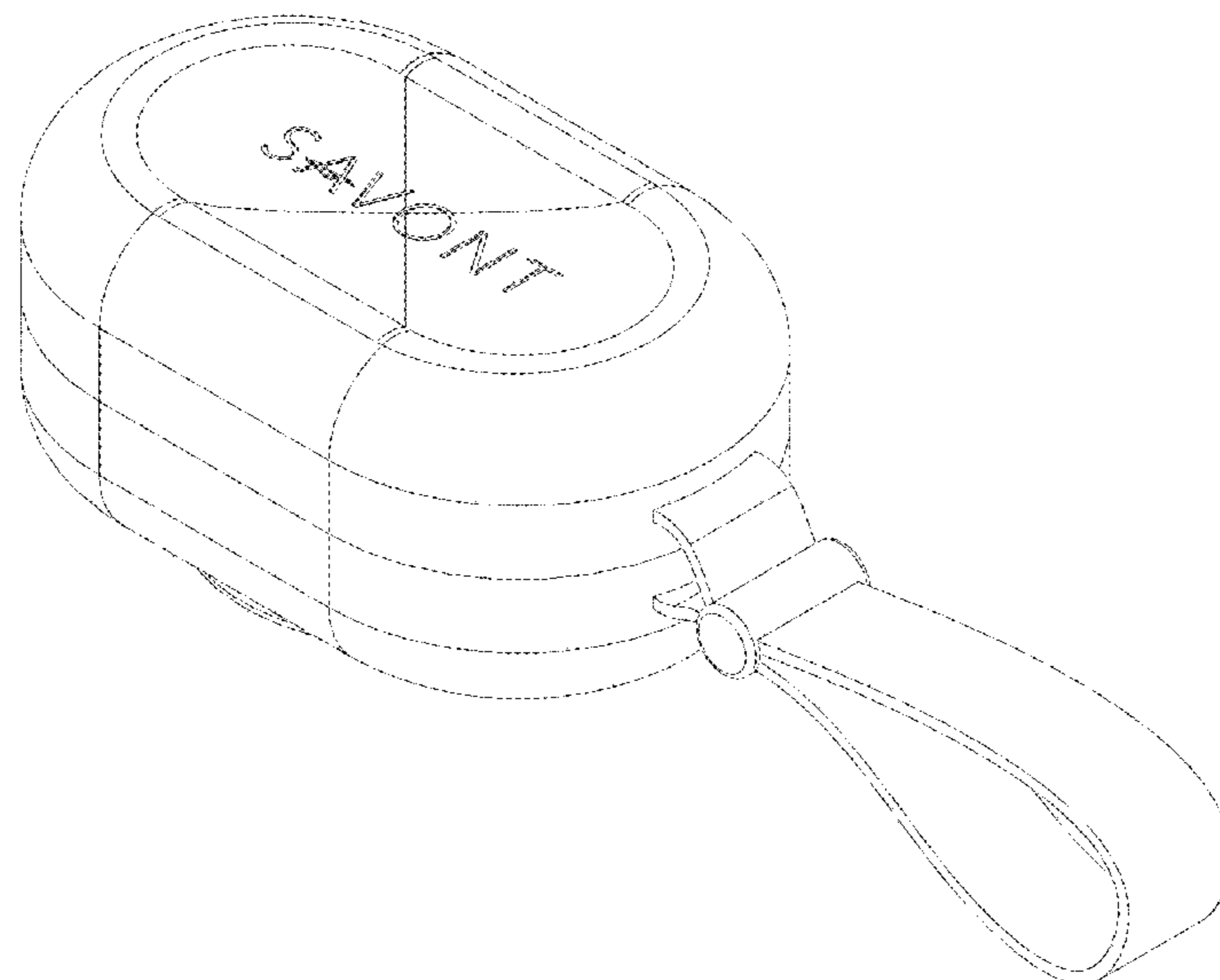
(57) **CLAIM**

The ornamental design for a soap container, as shown and described.

DESCRIPTION

- 1.1: perspective view
- 1.2: top view
- 1.3: right perspective view shown in an open position
- 1.4: right perspective view shown in a closed position
- 1.5: right view
- 1.6: bottom view
- 1.7: cross sectional view taken along line 1.7-1.7 in FIG. 1.4
- 1.8: front perspective view shown in an open position in another alternate configuration.

1 Claim, 8 Drawing Sheets



(56)

References Cited

U.S. PATENT DOCUMENTS

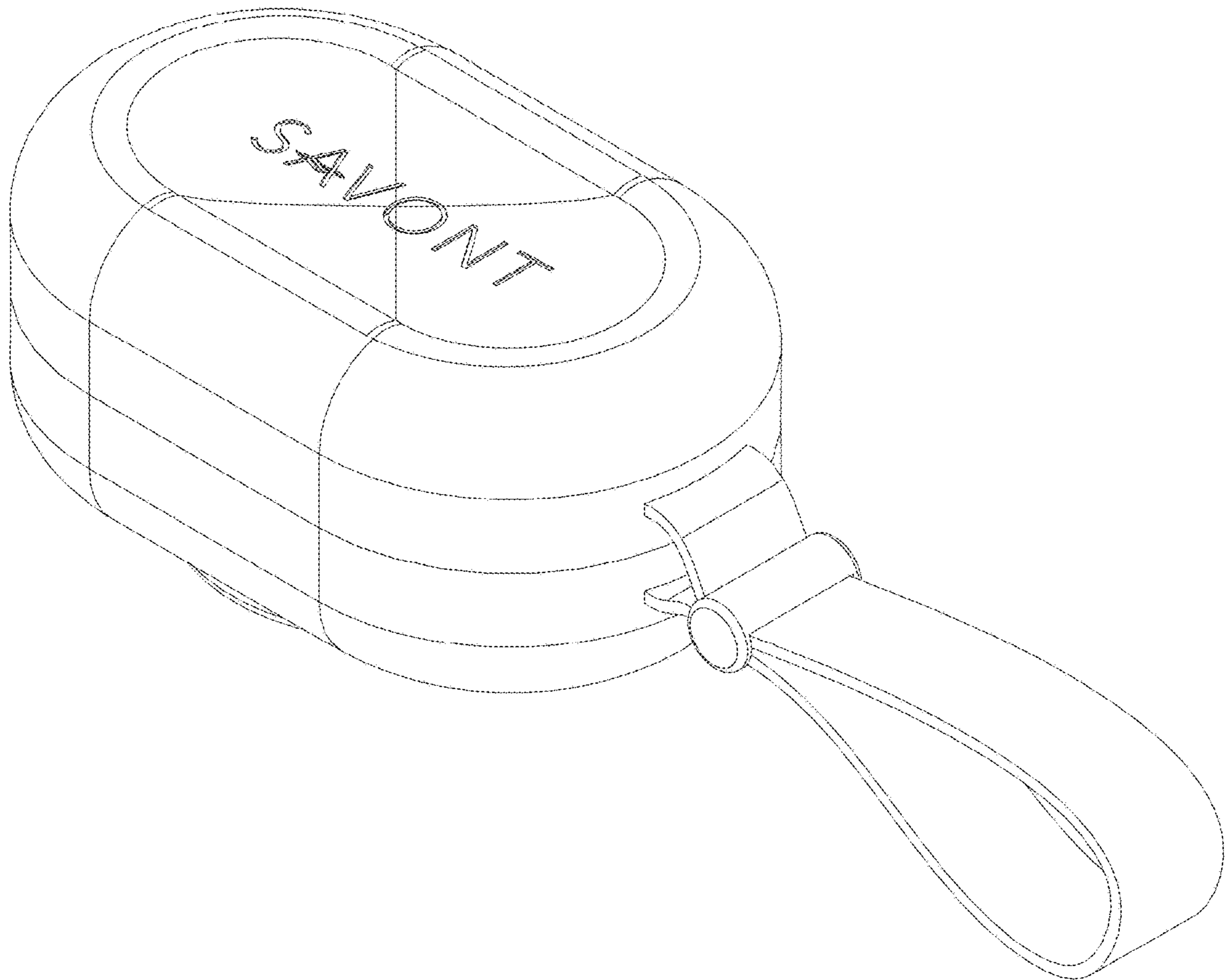
D935,164 S * 11/2021 Zhang D3/201
2014/0299275 A1 * 10/2014 Melet A47K 5/03
156/580

OTHER PUBLICATIONS

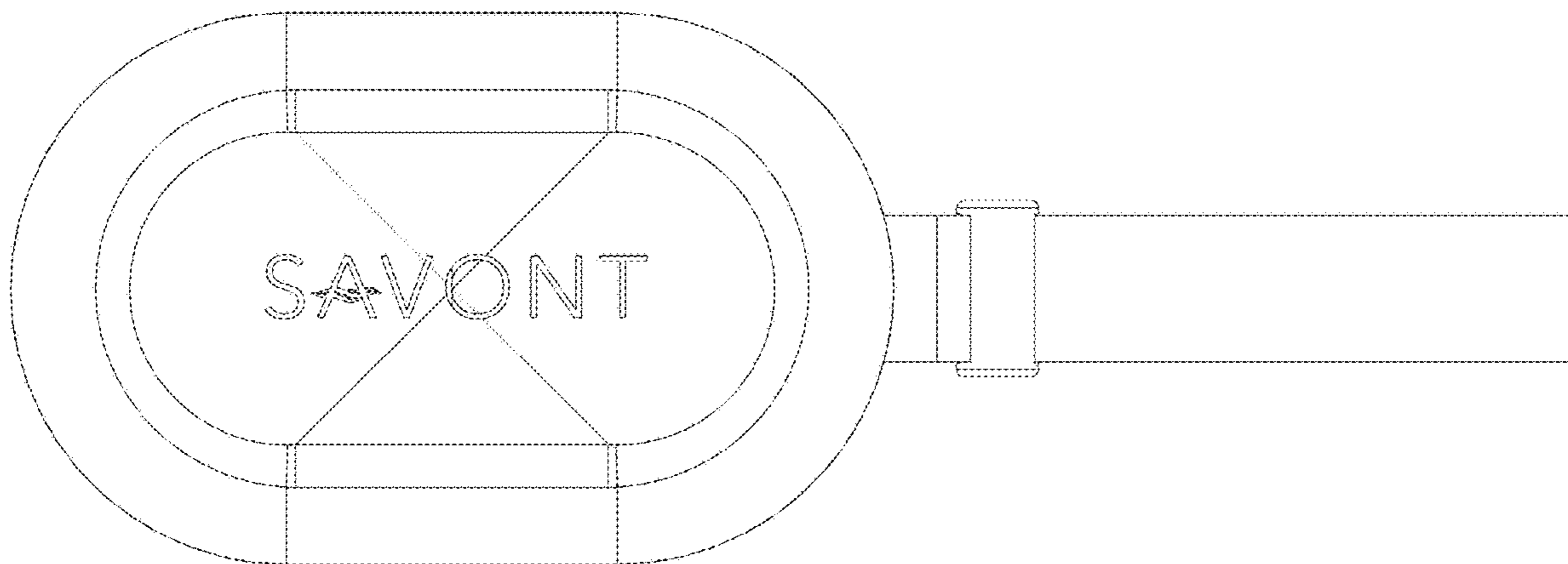
Portineer, posted at amazon.com, posted on Feb. 28, 2021, site visited Apr. 12, 2022. online, available from internet: <https://www.amazon.com/PORTINEER-Carry-Dri-Specially-Designed-Silicone/dp/B08R2DBPW5> (Year: 2021).*

* cited by examiner

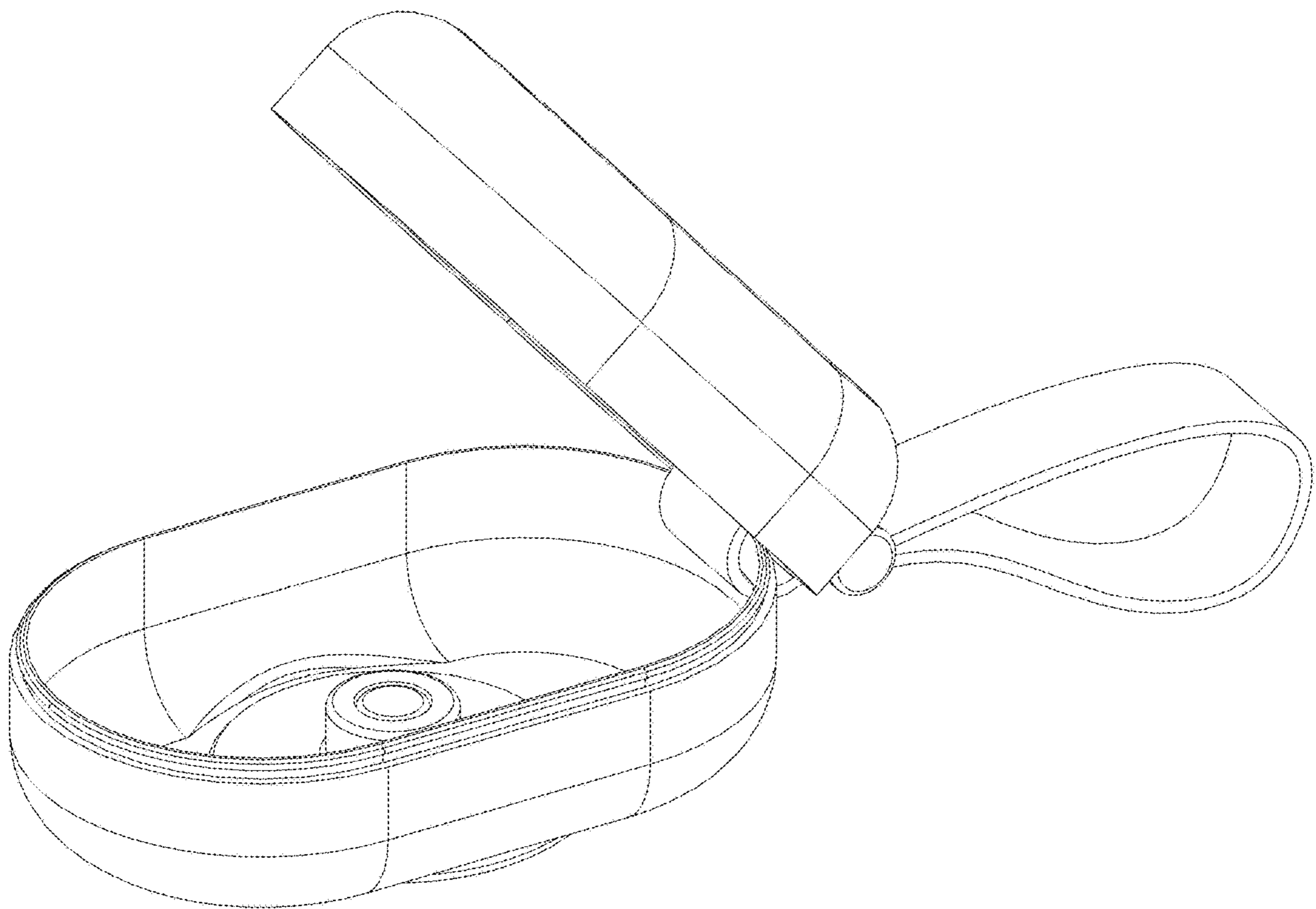
1.1



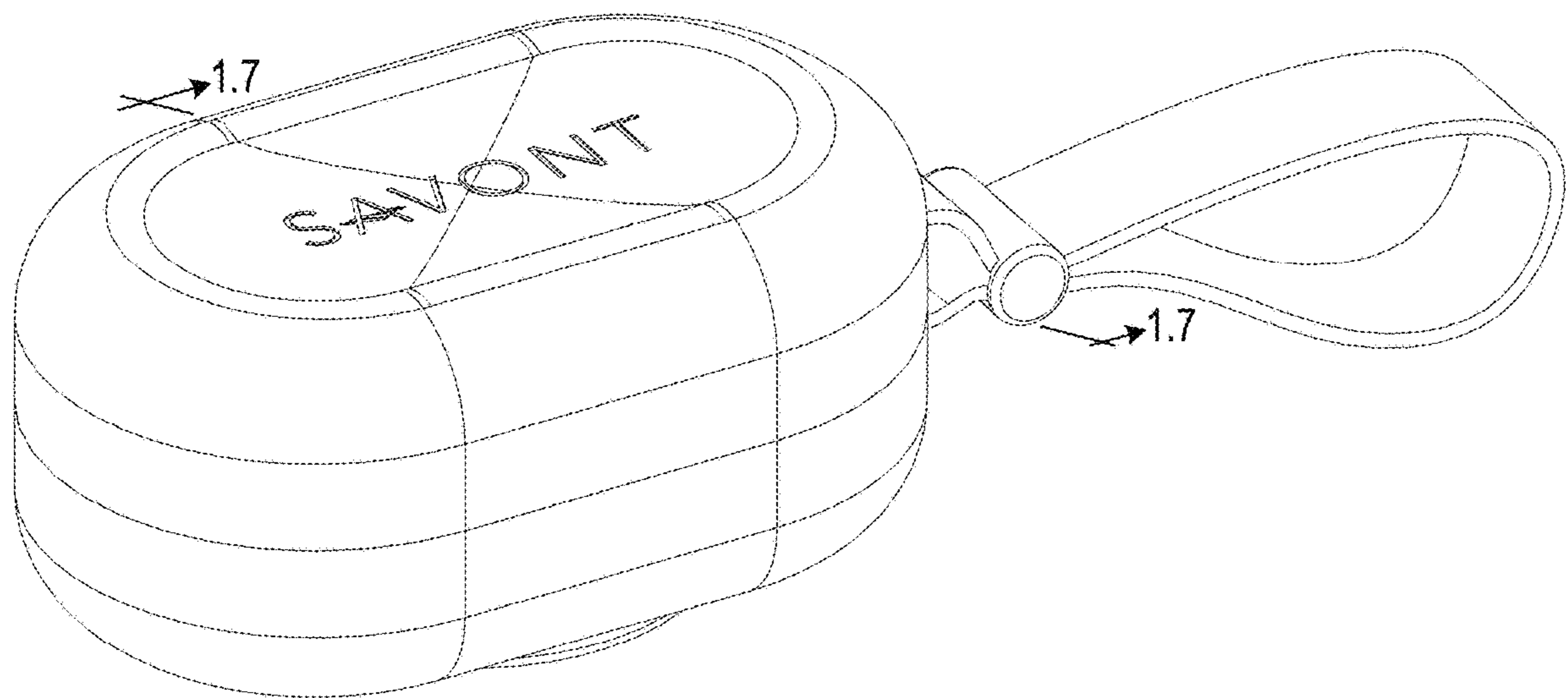
1.2



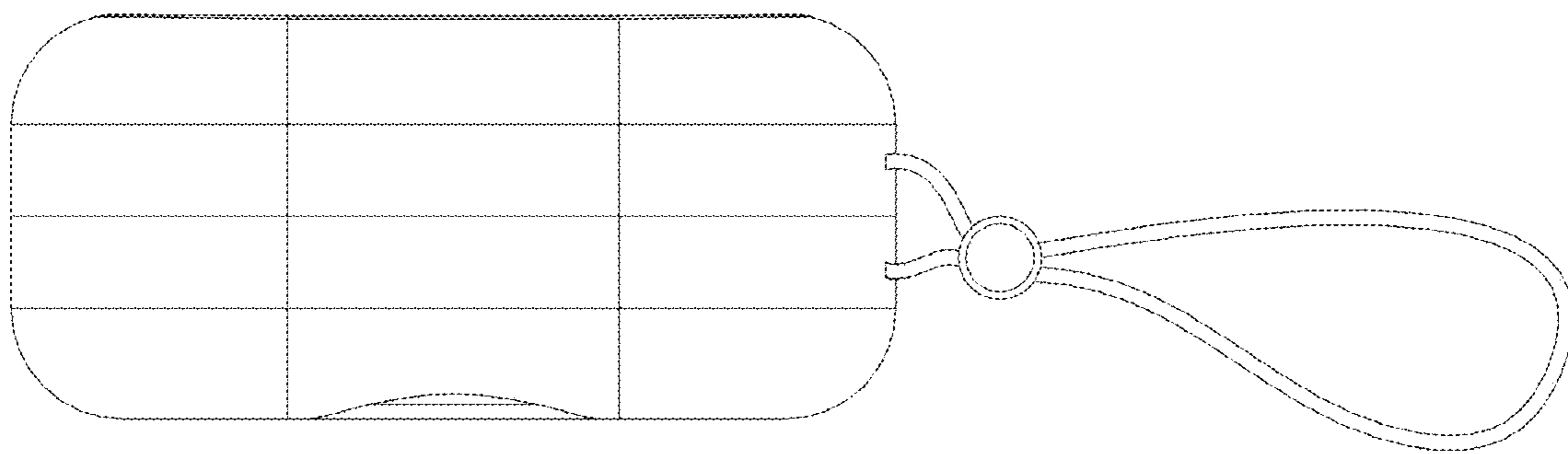
1.3



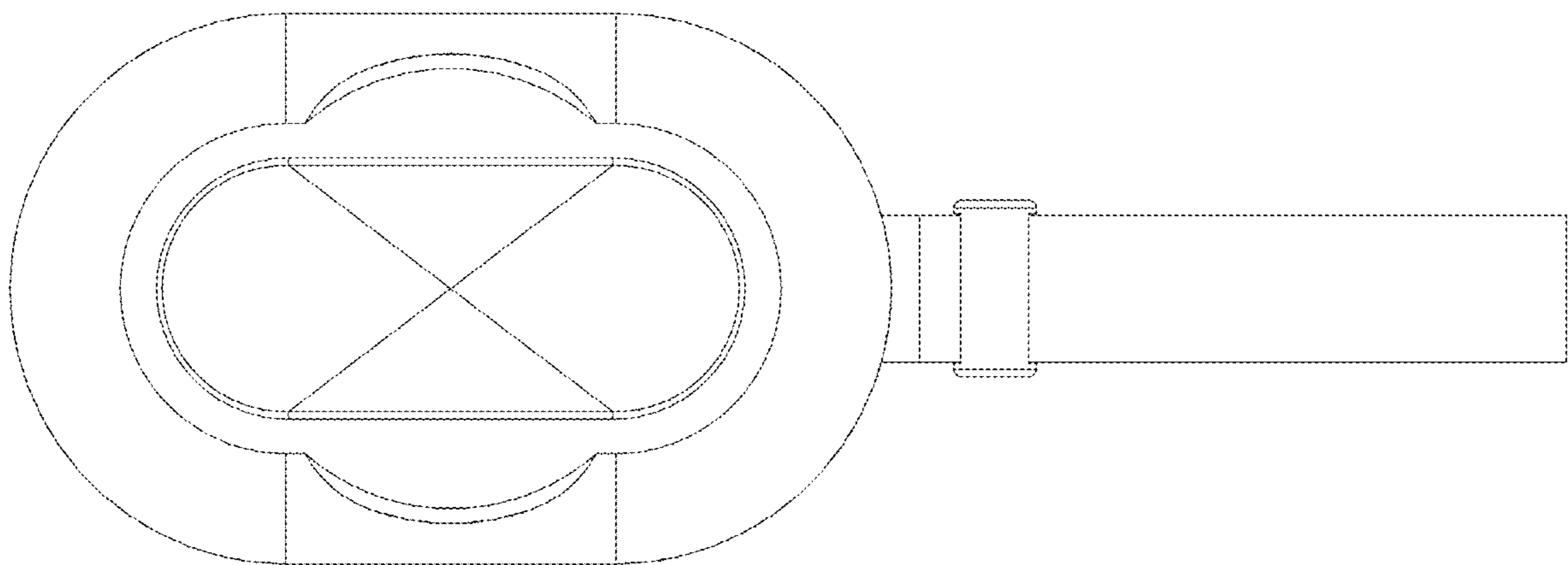
1.4



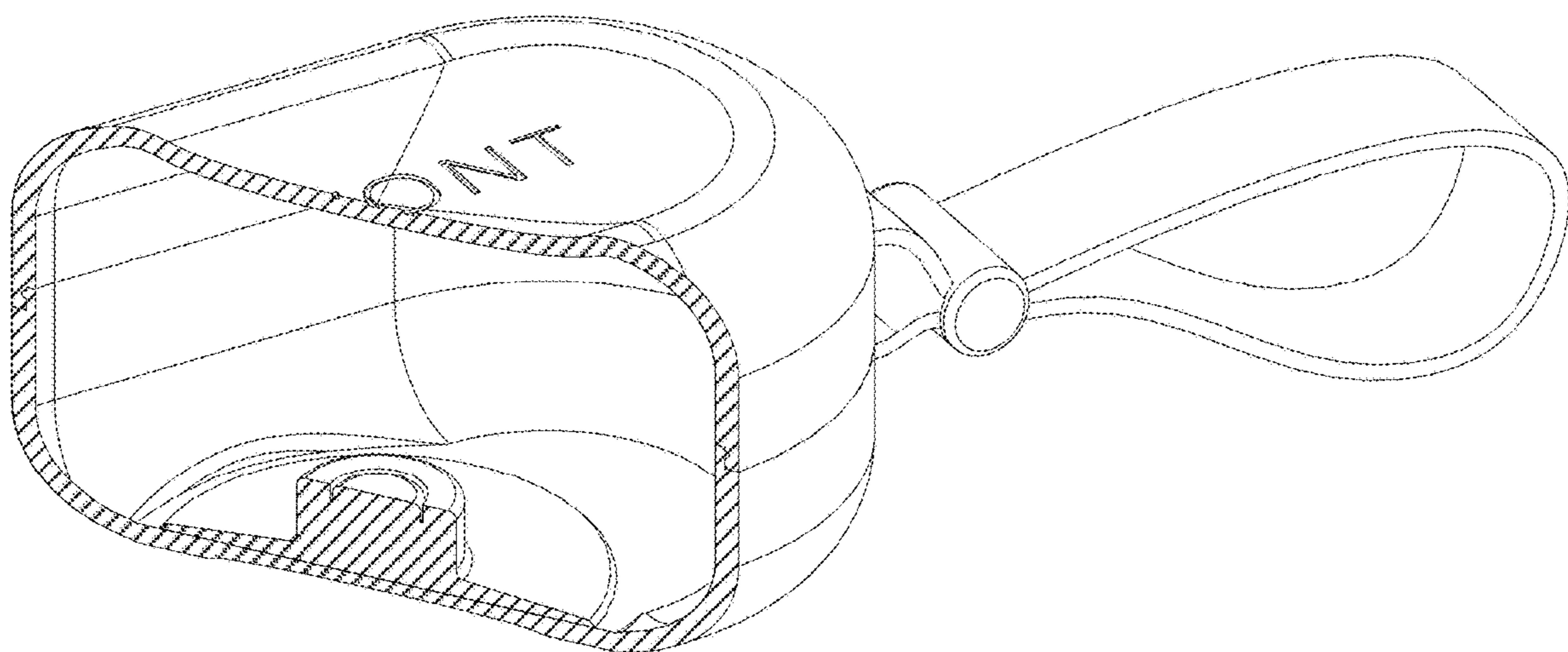
1.5



1.6



1.7



1.8

