

US00D970249S

(12) **United States Design Patent** (10) **Patent No.:** **US D970,249 S**
Wang (45) **Date of Patent:** **** Nov. 22, 2022**

(54) **SHOWER CADDY**
(71) Applicant: **SellerX Eleven GMBH**, Berlin (DE)
(72) Inventor: **Qin Wang**, Zhongshan (CN)
(**) Term: **15 Years**
(21) Appl. No.: **29/652,483**

D761,043 S * 7/2016 Snider D6/675.2
D776,467 S * 1/2017 Snider D6/675.5
D779,232 S * 2/2017 Pan D6/566

FOREIGN PATENT DOCUMENTS

CN 304239048 * 8/2017
WO D095468-093 * 4/2017

OTHER PUBLICATIONS

KINCMAX Shower Caddy (Online) 12 pgs. Available as early as Mar. 30, 2020. [retrieved Dec. 1, 2021] https://www.amazon.com/KINCMAX-Bathroom-Traceless-Organizer-Rustproof/dp/B0828DJ2HD/ref=cm_cr_ar_p_d_product_top?ie=UTF8&th=1 (Year: 2020).*
Orimade Adhesive Shower Caddy Basket Shelf . . . (Online) 11 pgs. Available Aug. 8, 2019. [Retrieved Nov. 30, 2021] <https://www.amazon.com/Orimade-Adhesive-Organizer-Stainless-Drilling/dp/B07TBYXKJ5?th=1> (Year: 2019).*

* cited by examiner

Primary Examiner — Marie D. Fast Horse
Assistant Examiner — Jennifer Sierra Yosinski
(74) *Attorney, Agent, or Firm* — Tarter Krinsky & Drogin LLP

(22) Filed: **Aug. 31, 2020**
(51) **LOC (13) Cl.** **06-04**
(52) **U.S. Cl.**
USPC **D6/525**
(58) **Field of Classification Search**
USPC D6/563, 564, 525, 513, 567, 553, 514,
D6/304, 566, 675.5, 675.2, 675.3;
D3/201, 304, 306, 310, 313, 318;
211/12, 13.1, 85.3, 85.9, 30, 32, 85.31,
211/86.01, 87.01, 88.04, 90.03, 94.02,
211/106, 106.1
CPC A47K 3/281; A47K 5/03; A47K 10/08;
A47K 5/04; A47K 5/02; A47K 3/286;
A47K 17/00; A47K 2201/00; A47K
3/001; A47K 5/00; A47K 5/18; A47K
1/09; A47K 2201/025
See application file for complete search history.

(57) **CLAIM**

The ornamental design for a shower caddy, as shown and described.

(56) **References Cited**

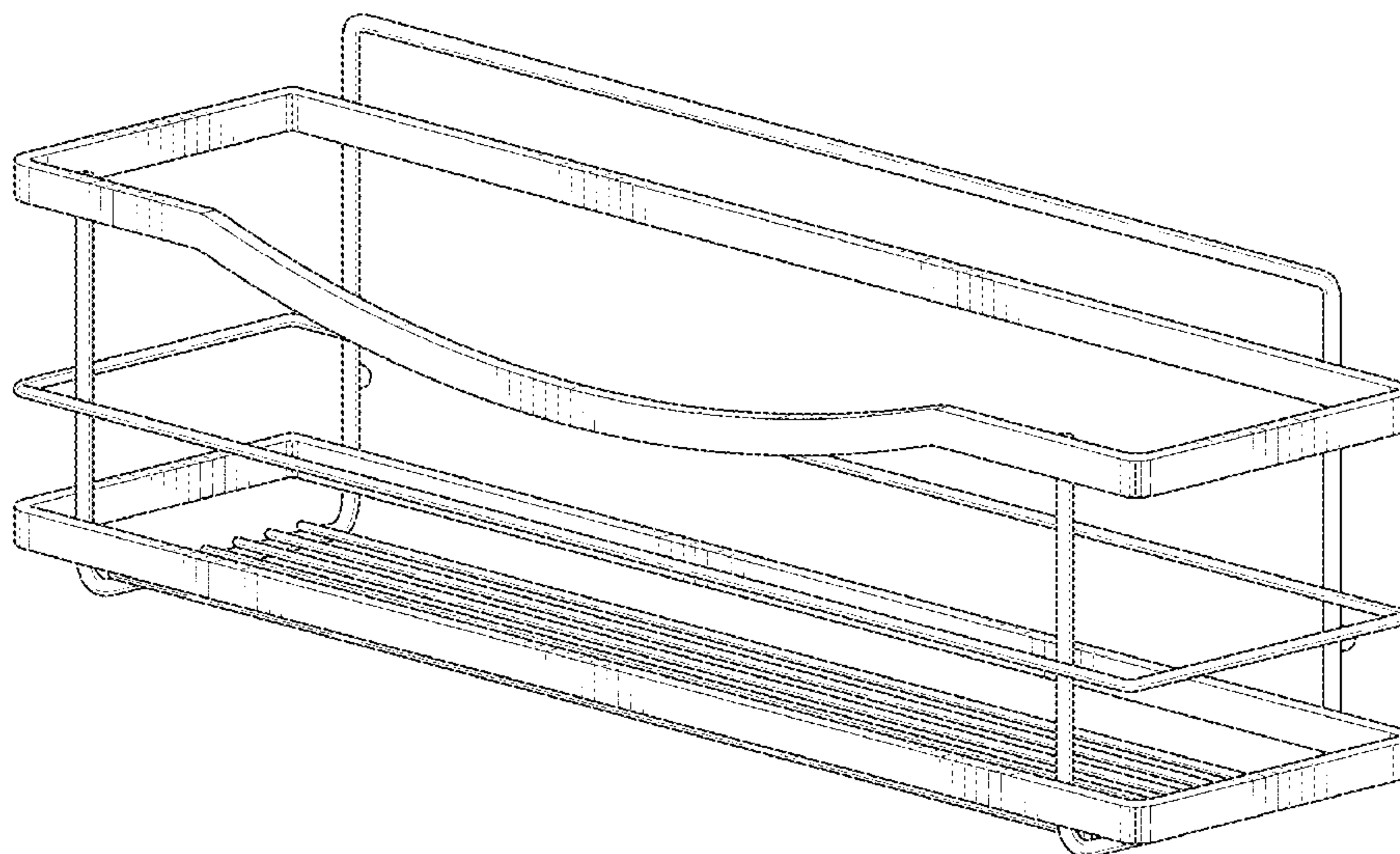
U.S. PATENT DOCUMENTS

D458,640 S * 6/2002 Hofman D19/75
D481,761 S * 11/2003 Walsh D19/75
D507,108 S * 7/2005 Suero, Jr. D3/304
D554,419 S * 11/2007 Thompson D6/566
D584,056 S * 1/2009 Giorghie D3/304
D588,814 S * 3/2009 Giorghie D3/304
D628,385 S * 12/2010 Klein D6/513
D650,209 S * 12/2011 Snider D6/513
D675,849 S * 2/2013 Tawil D6/705.6
D701,397 S * 3/2014 Snider D6/566
D717,070 S * 11/2014 Callif D6/566
D753,422 S * 4/2016 Snider D6/675.3
D757,457 S * 5/2016 Guindi D6/513

DESCRIPTION

FIG. 1 is a front perspective view of a shower caddy, showing my new design;
FIG. 2 is a front elevation view thereof;
FIG. 3 is a rear elevation view thereof;
FIG. 4 is a left-side elevation view thereof;
FIG. 5 is a right-side elevation view thereof;
FIG. 6 is a top plan view thereof; and,
FIG. 7 is a bottom plan view thereof.

1 Claim, 7 Drawing Sheets



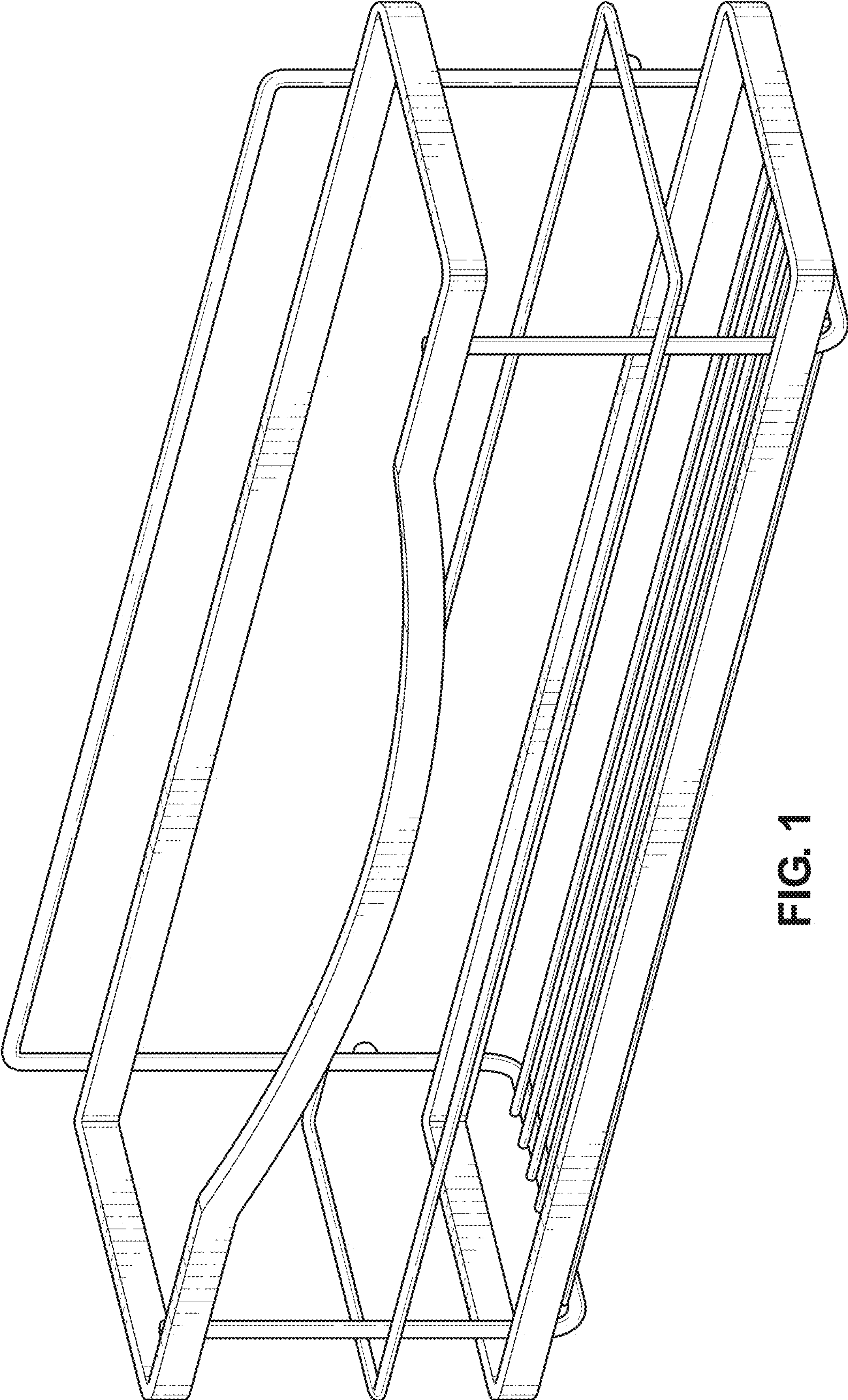


FIG. 1

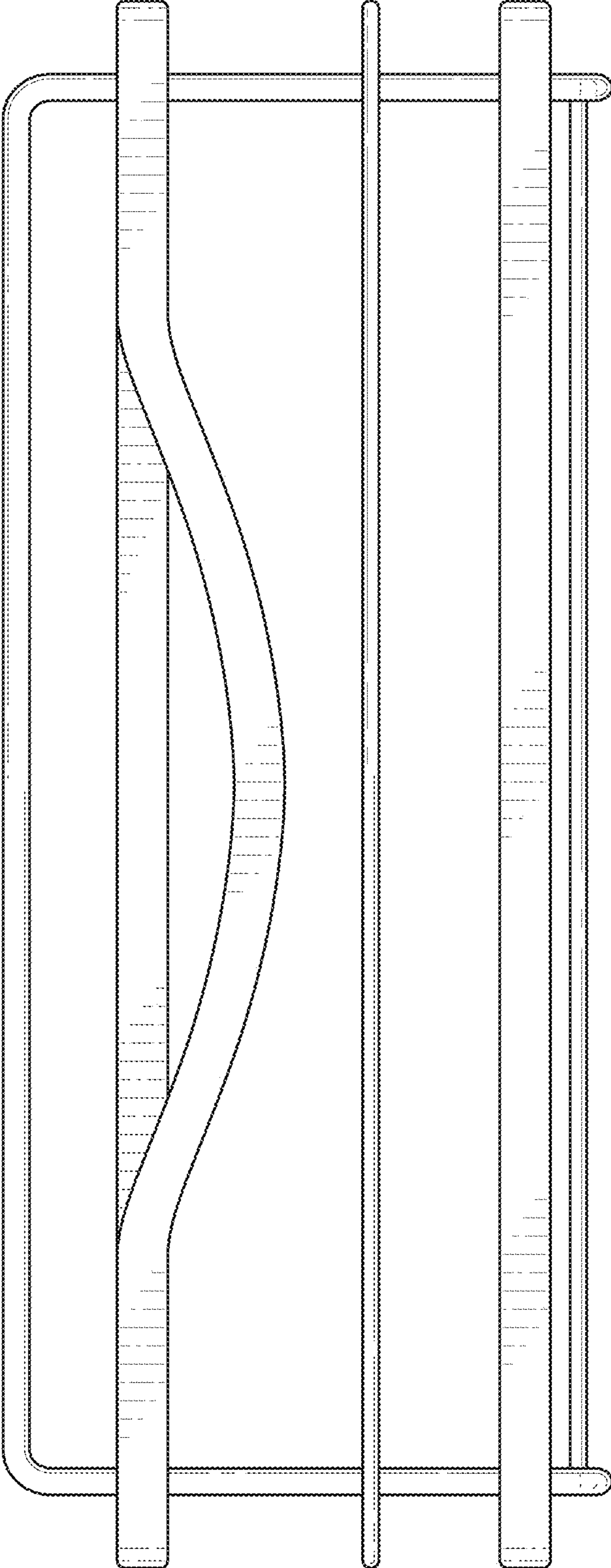


FIG. 2

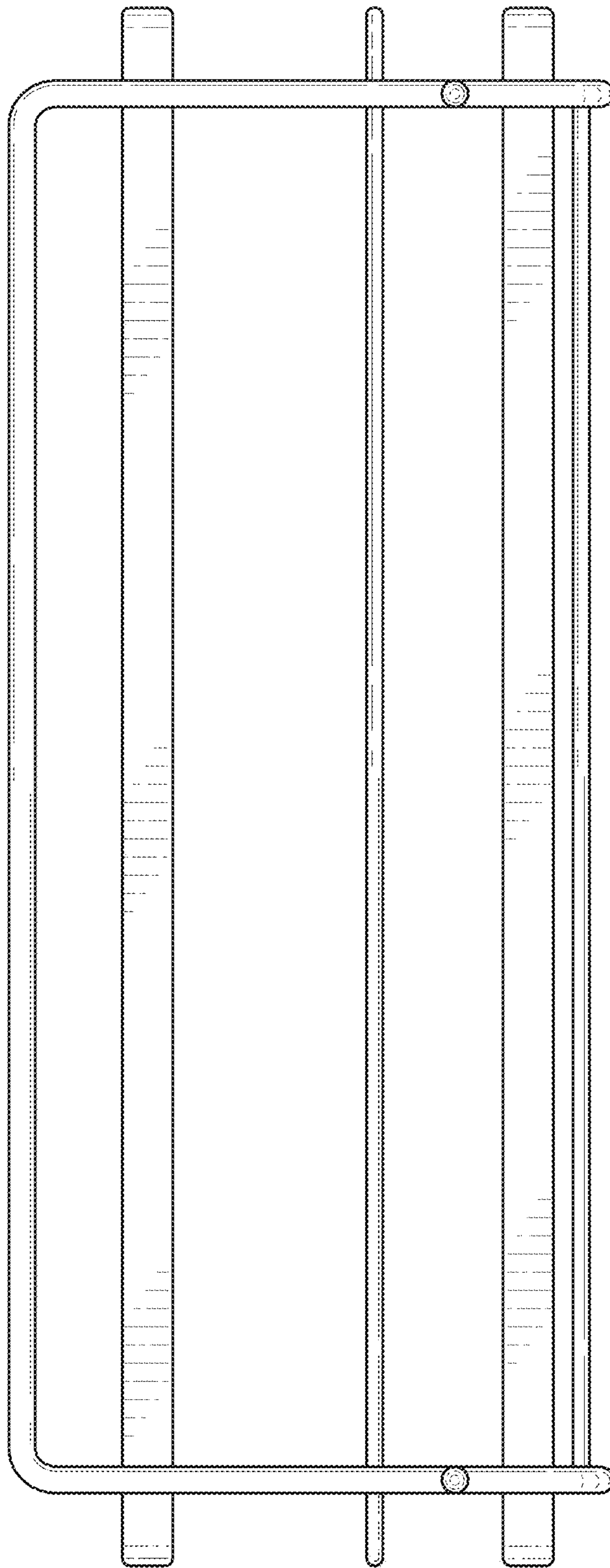


FIG. 3

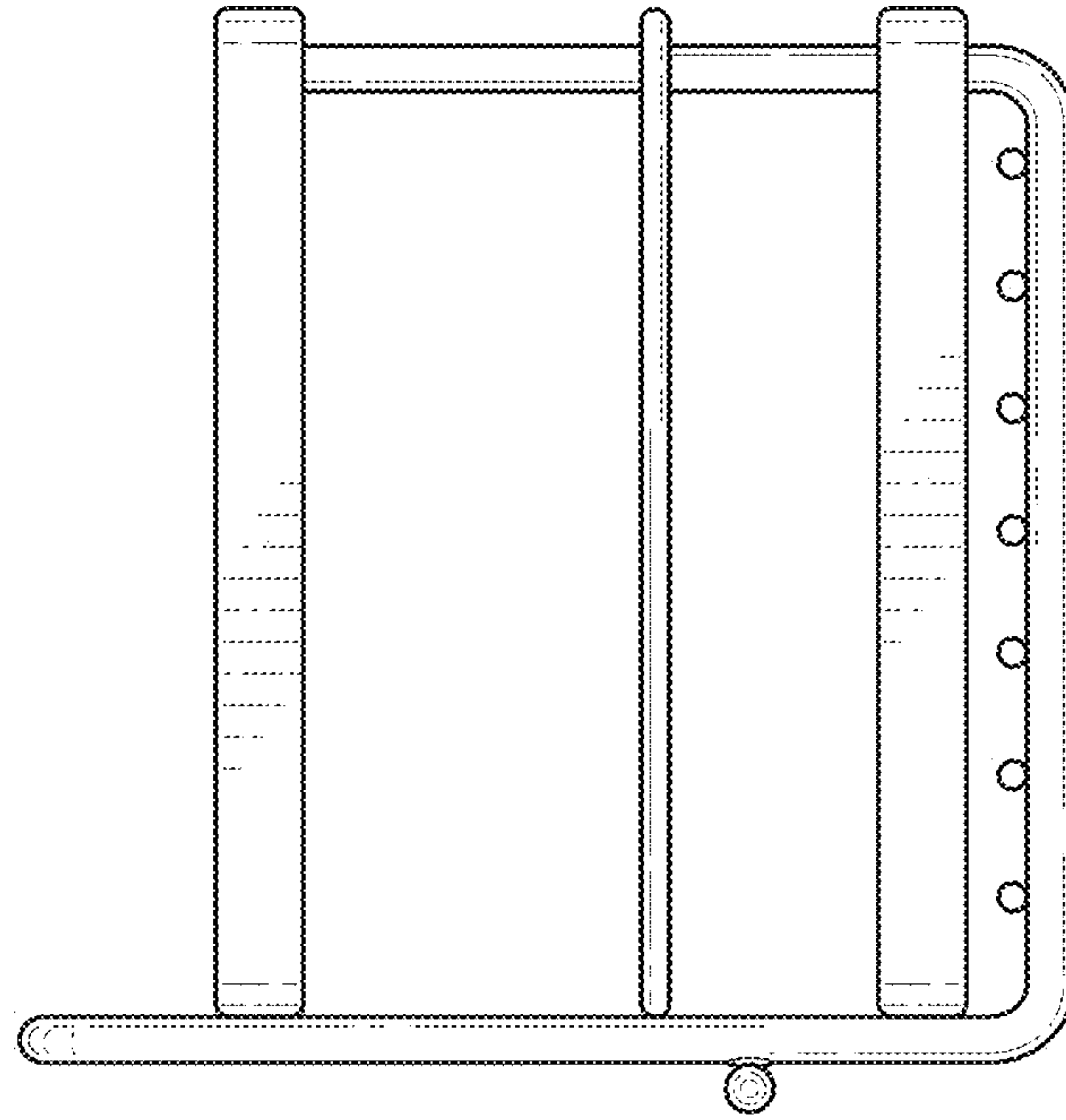


FIG. 4

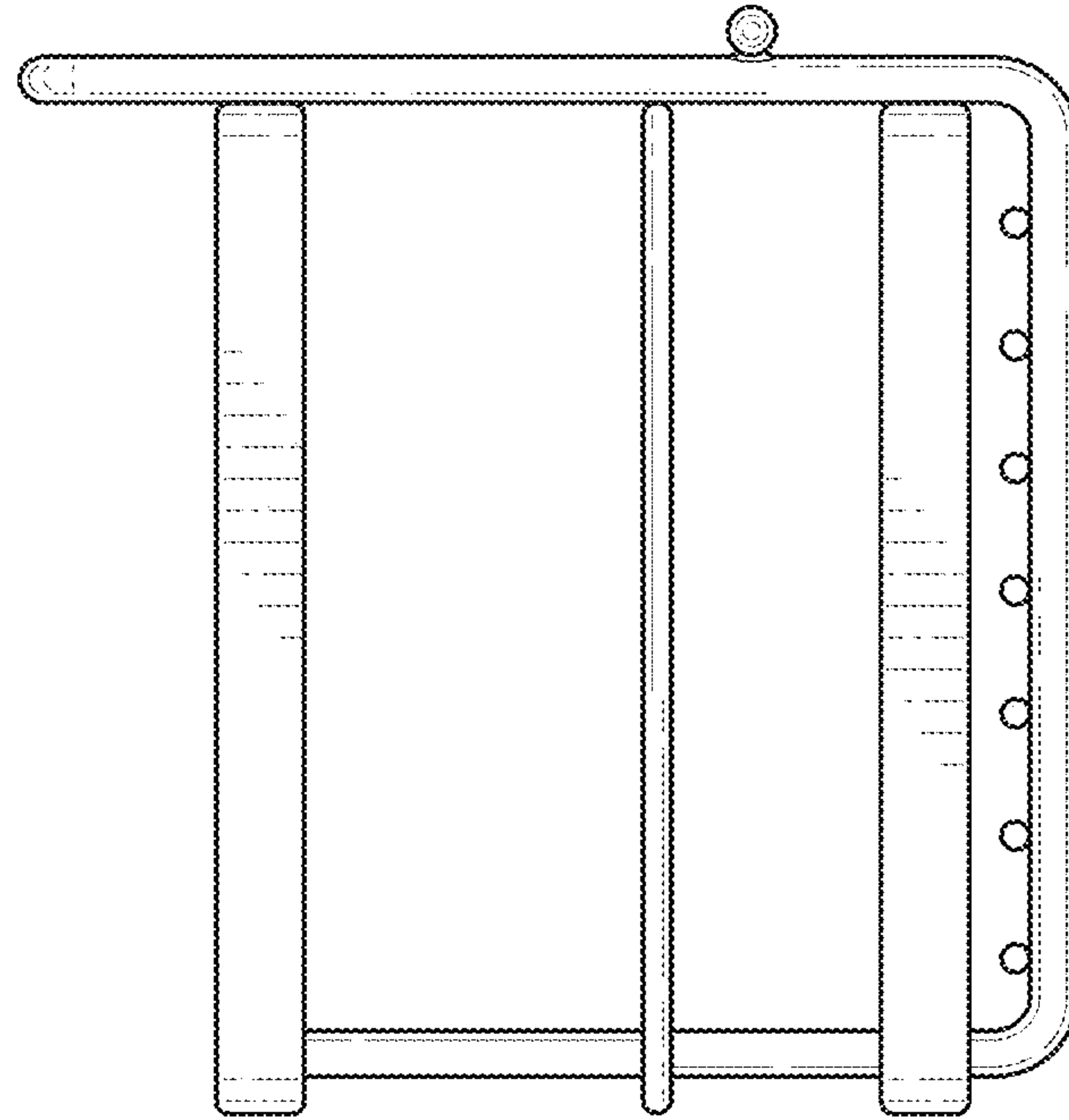


FIG. 5

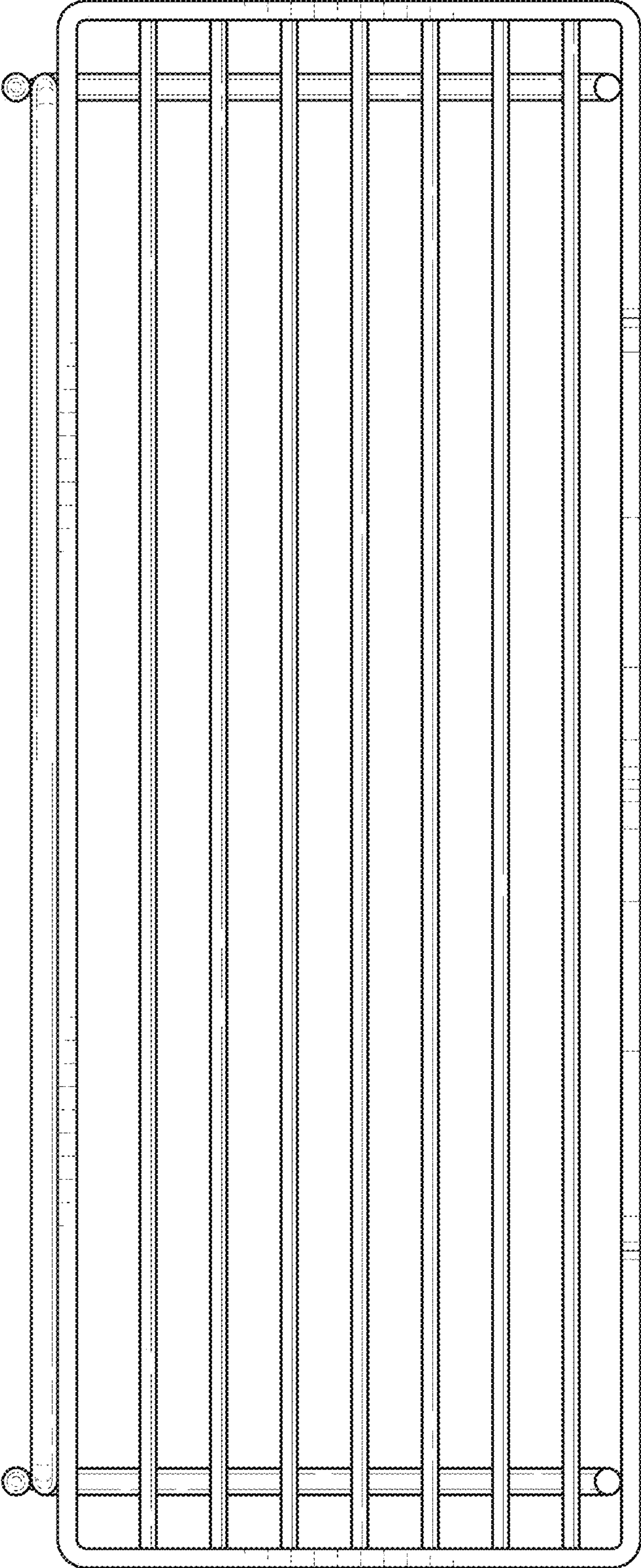


FIG. 6

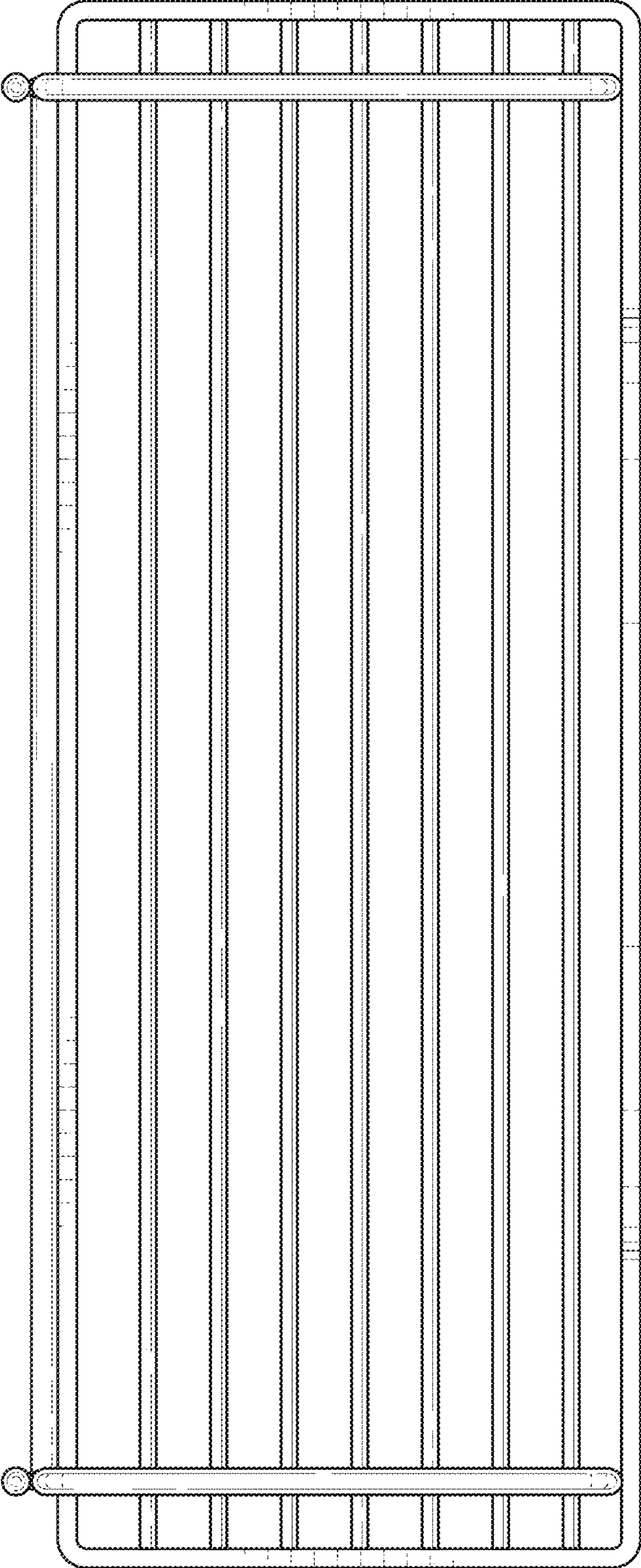


FIG. 7