



US00D970246S

(12) **United States Design Patent**
Shan et al.

(10) **Patent No.:** **US D970,246 S**

(45) **Date of Patent:** **** Nov. 22, 2022**

(54) **CRADLE**

- (71) Applicant: **Keeson Technology Corporation Limited**, Zhejiang (CN)
- (72) Inventors: **Huafeng Shan**, Zhejiang (CN); **Hewen Ge**, Zhejiang (CN); **Chuanxiang Ji**, Zhejiang (CN); **Chenhua Zhou**, Zhejiang (CN); **Shengjiao Mo**, Zhejiang (CN)
- (73) Assignee: **Keeson Technology Corporation Limited**, Jiaxing (CN)

(**) Term: **15 Years**

(21) Appl. No.: **29/762,079**

(22) Filed: **Dec. 15, 2020**

(30) **Foreign Application Priority Data**

- Jun. 15, 2020 (CN) 202030304319.X
- (51) **LOC (13) Cl.** **06-02**
- (52) **U.S. Cl.**
USPC **D6/391**
- (58) **Field of Classification Search**
USPC D6/383, 384, 390, 391, 392
CPC A47D 9/00; A47D 7/02; A47D 7/03
See application file for complete search history.

(56) **References Cited**

U.S. PATENT DOCUMENTS

- 1,391,566 A * 9/1921 Musselman A47C 19/22
5/2.1
- D109,645 S * 5/1938 Pearson 5/93.1
- D144,670 S * 5/1946 Adolf 5/93.1
- D385,124 S * 10/1997 Proano D6/391
- D385,427 S * 10/1997 Proano D6/391
- D390,036 S * 2/1998 Proano D6/390
- D390,037 S * 2/1998 Proano D6/390

(Continued)

OTHER PUBLICATIONS

“Joymer Baby Bed Crib.” Found online Jul. 14, 2022 at www.amazon.com. Customer question answered Jun. 30, 2019. Retrieved from URL: <https://us.amazon.com/JOYMOR-Mattress-Storage-Converts-Toddler/dp/B08GWV11KS> (Year: 2019).*

(Continued)

Primary Examiner — Mary Ann Calabrese
Assistant Examiner — Katelin G Kloberg

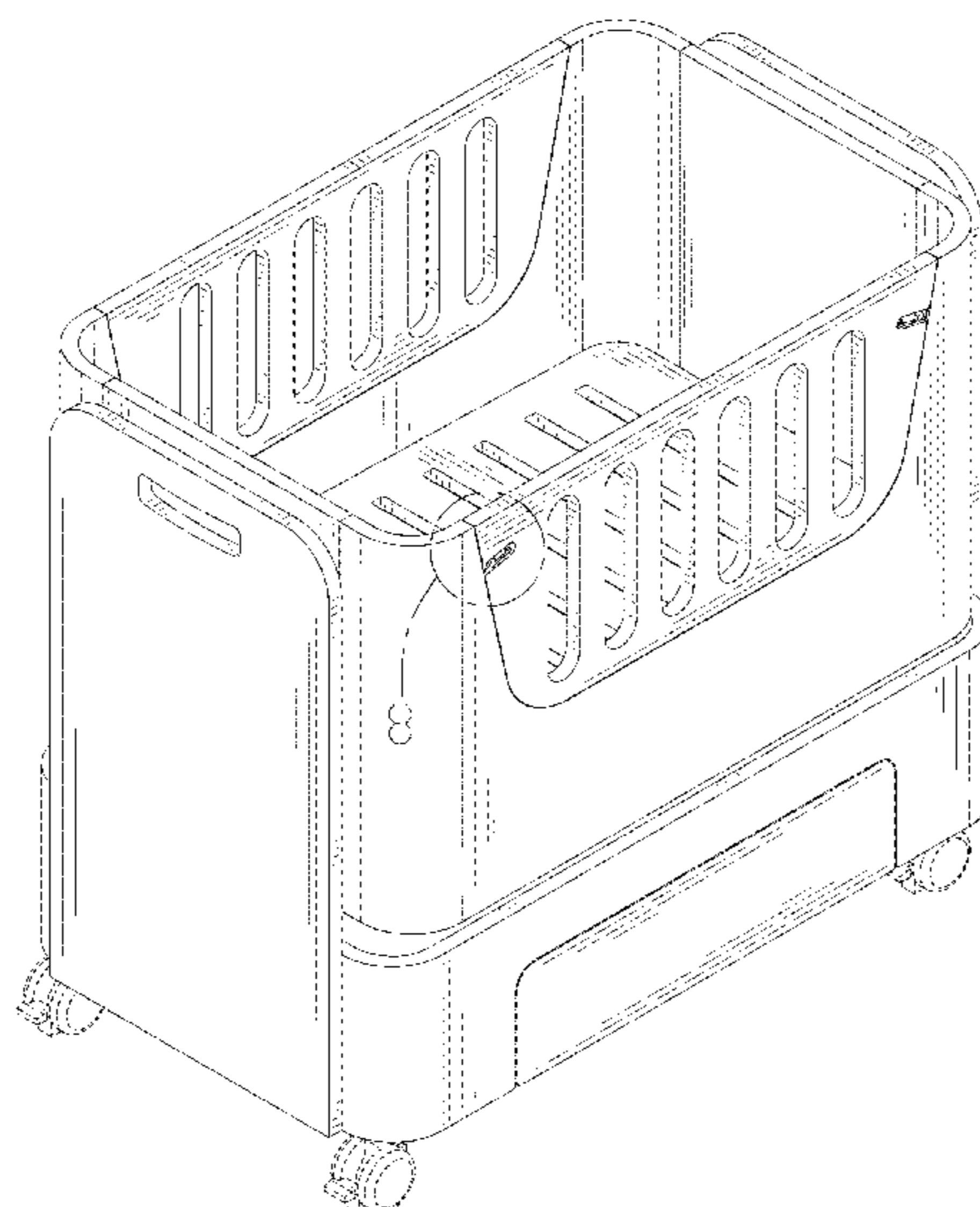
(57) **CLAIM**

The ornamental design for a cradle, as shown and described.

DESCRIPTION

FIG. 1 is a front, top and left side perspective view of a cradle showing our new design;
 FIG. 2 is a rear, top and right side perspective view thereof;
 FIG. 3 is a front elevational view thereof;
 FIG. 4 is a rear elevational view thereof;
 FIG. 5 is a left side view thereof;
 FIG. 6 is a right side view thereof;
 FIG. 7 is a top plan view thereof;
 FIG. 8 is an enlarged view of portion 8 in FIG. 1;
 FIG. 9 is a front, top, left side perspective view showing the cradle in a first use state that with one side of the cradle removed for clarity of illustration;
 FIG. 10 is a front, top, left side perspective view showing the cradle in a second use state with one side of the cradle removed for clarity of illustration; and,
 FIG. 11 is a front, top and left side perspective view showing the cradle in a third use state.
 The broken lines in the drawings illustrate portions of the cradle which form no part of the claimed design.
 No bottom plan view is provided since the bottom is unornamented and forms no part of the claimed design.

1 Claim, 11 Drawing Sheets



(56)

References Cited

U.S. PATENT DOCUMENTS

D594,245 S * 6/2009 Hagstrom D6/390
D617,573 S * 6/2010 Lake D6/390
9,756,963 B2 * 9/2017 Bien-Willner A47D 7/03
D896,544 S * 9/2020 Preutz D6/390
D944,577 S * 3/2022 Arabadzhi D6/690
2002/0157180 A1 * 10/2002 Koenig A47D 7/02
5/2.1
2010/0275379 A1 * 11/2010 Streightiff A47D 15/001
5/724
2011/0191955 A1 * 8/2011 Wu A47D 9/00
5/93.1
2012/0073044 A1 * 3/2012 Lake A47D 7/002
5/99.1

OTHER PUBLICATIONS

“Baby Joy 6 in 1 Convertible Crib.” Found online Jul. 14, 2022 at
www.amazon.com. Product reviewed Jan. 20, 2020. Retrieved from
URL: <https://www.amazon.com/dp/B08N9QDS3K> (Year: 2020).*

* cited by examiner

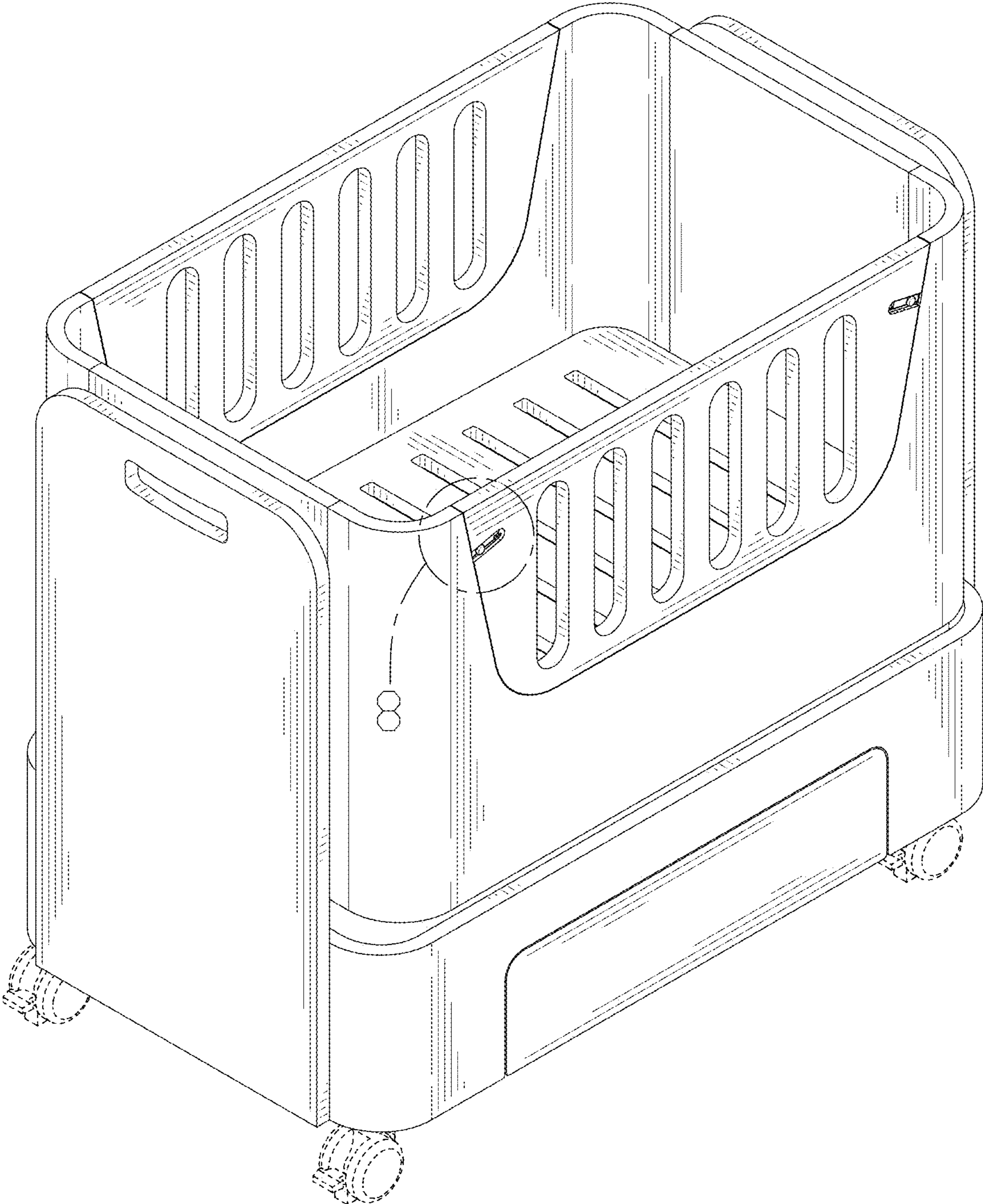


FIG. 1

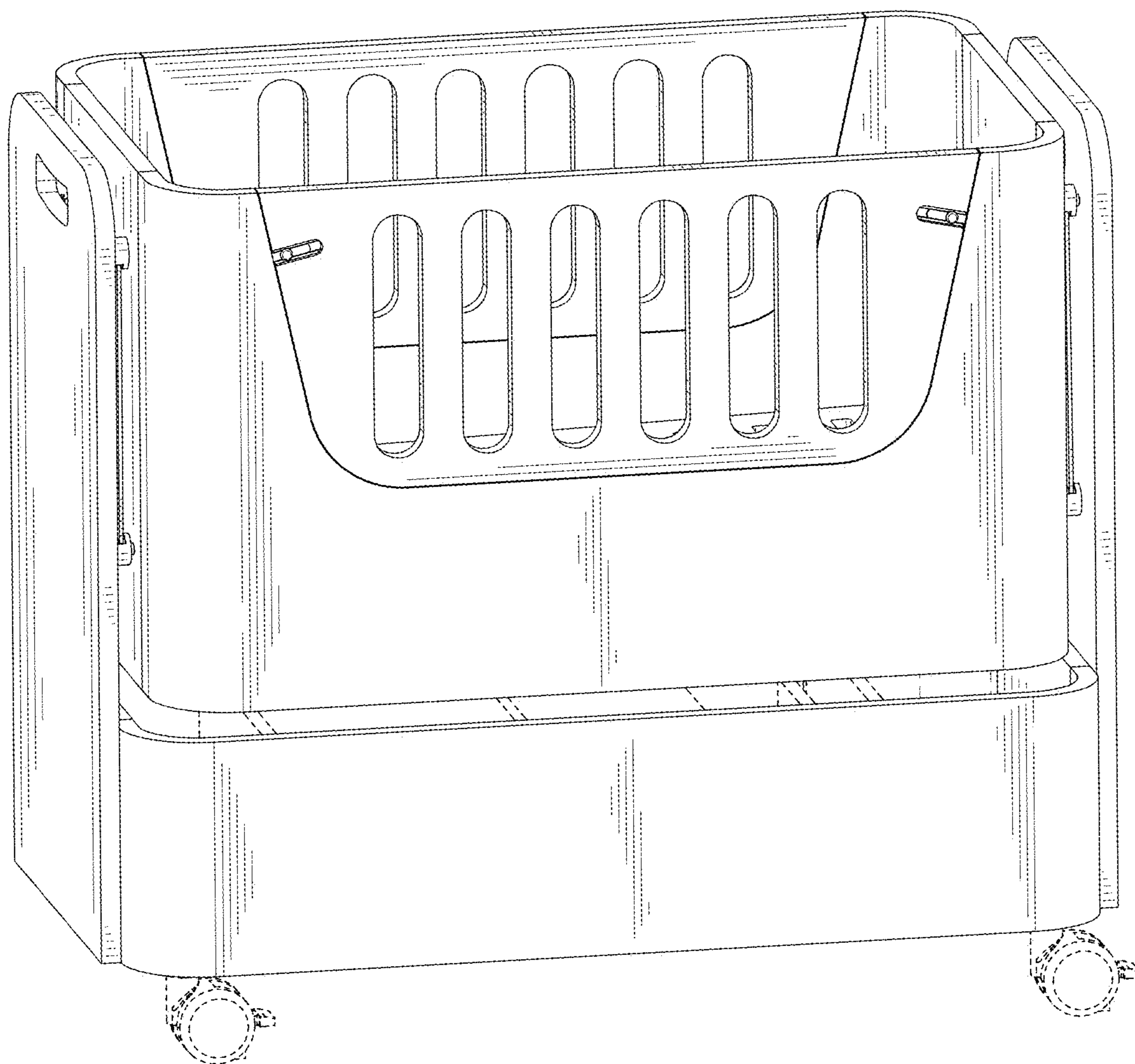


FIG. 2

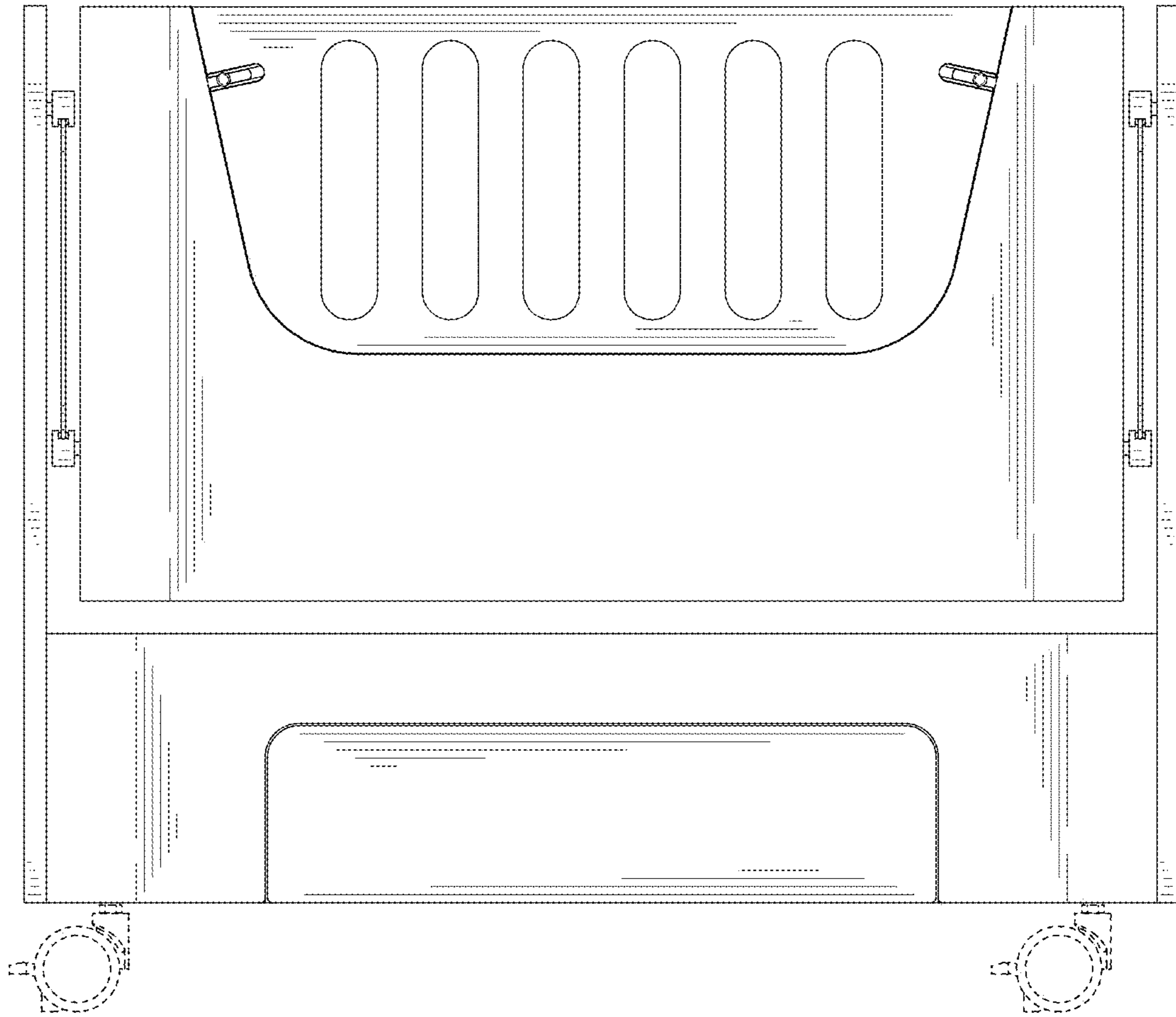


FIG. 3

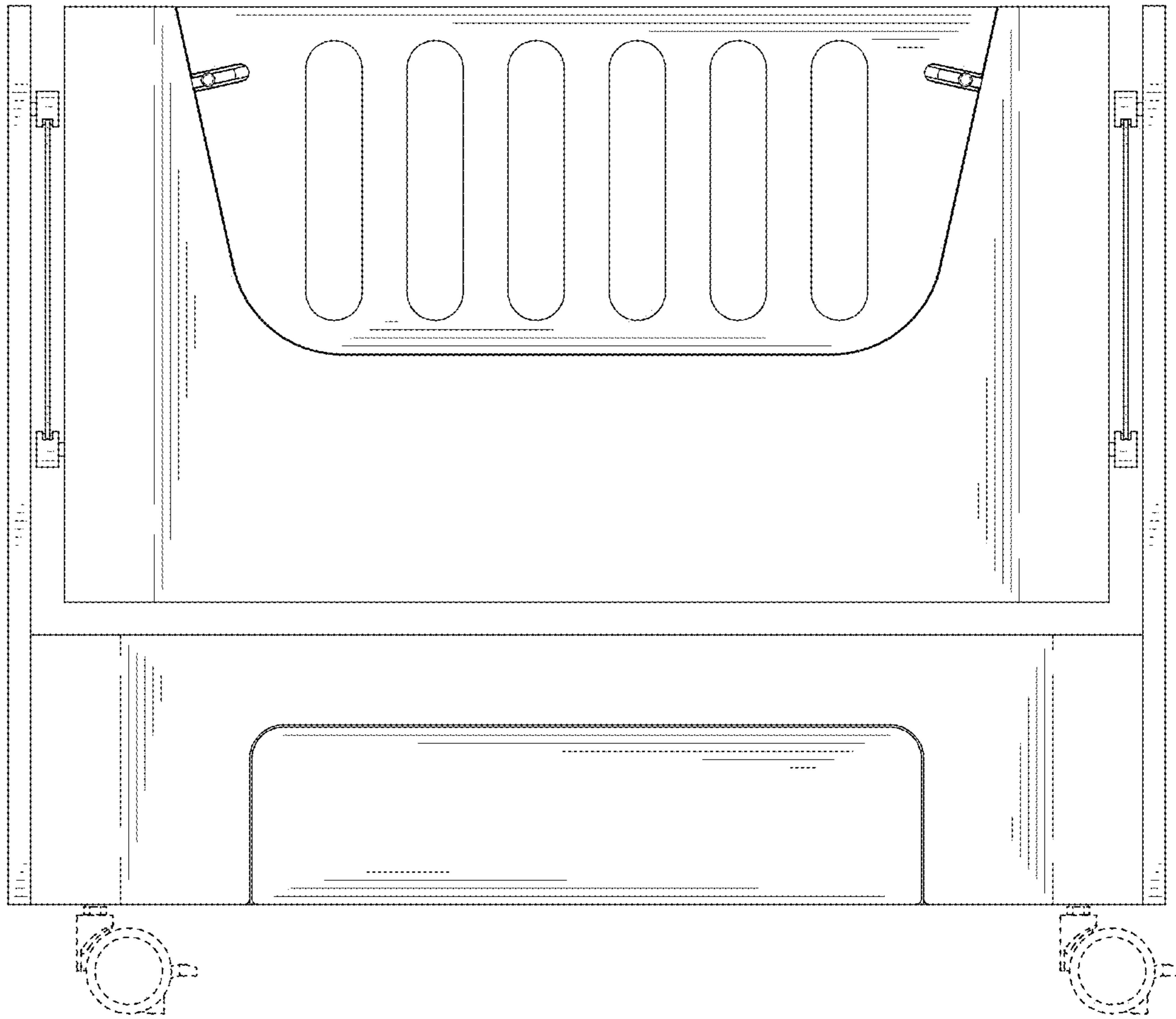


FIG. 4

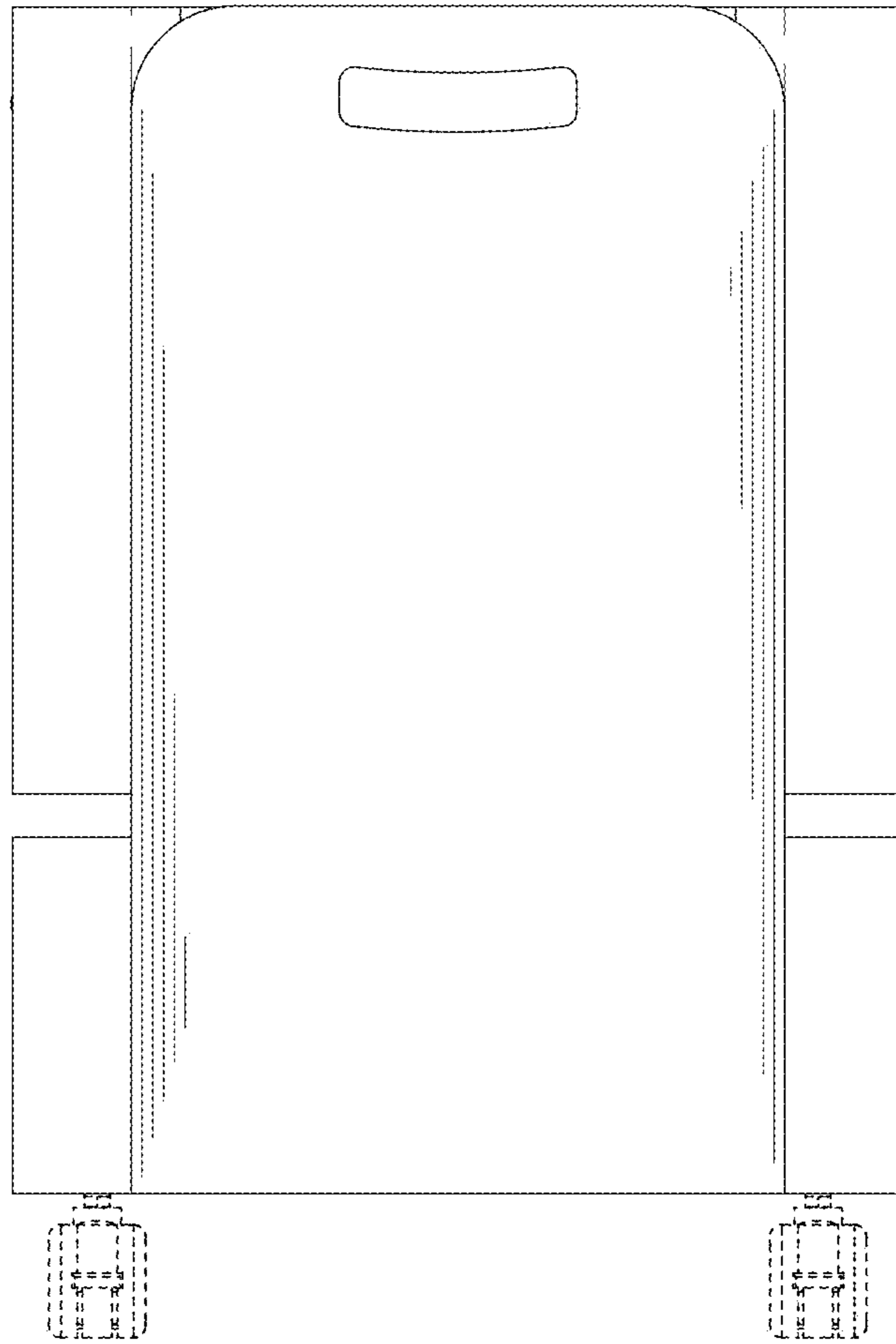


FIG. 5

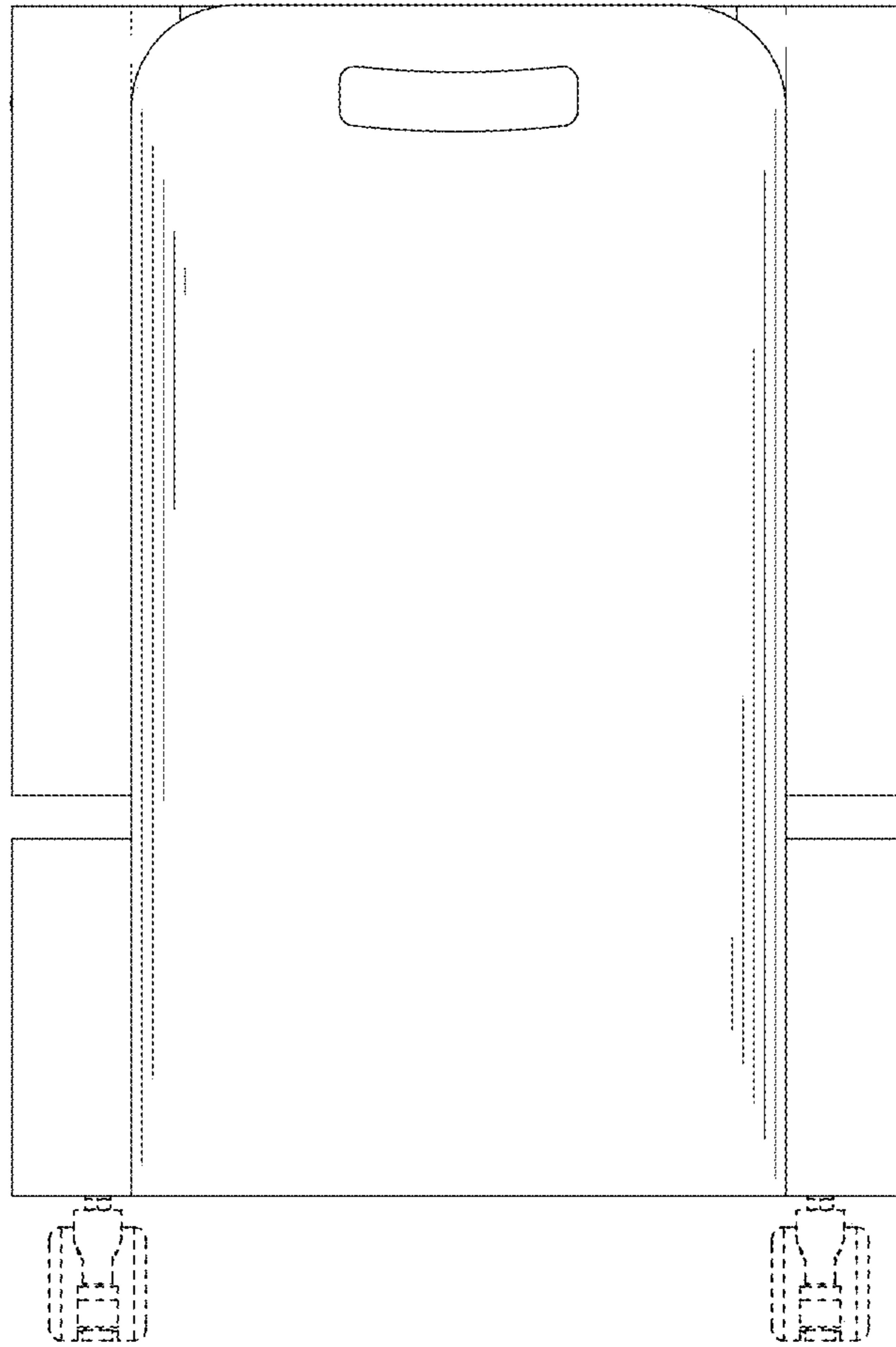


FIG. 6

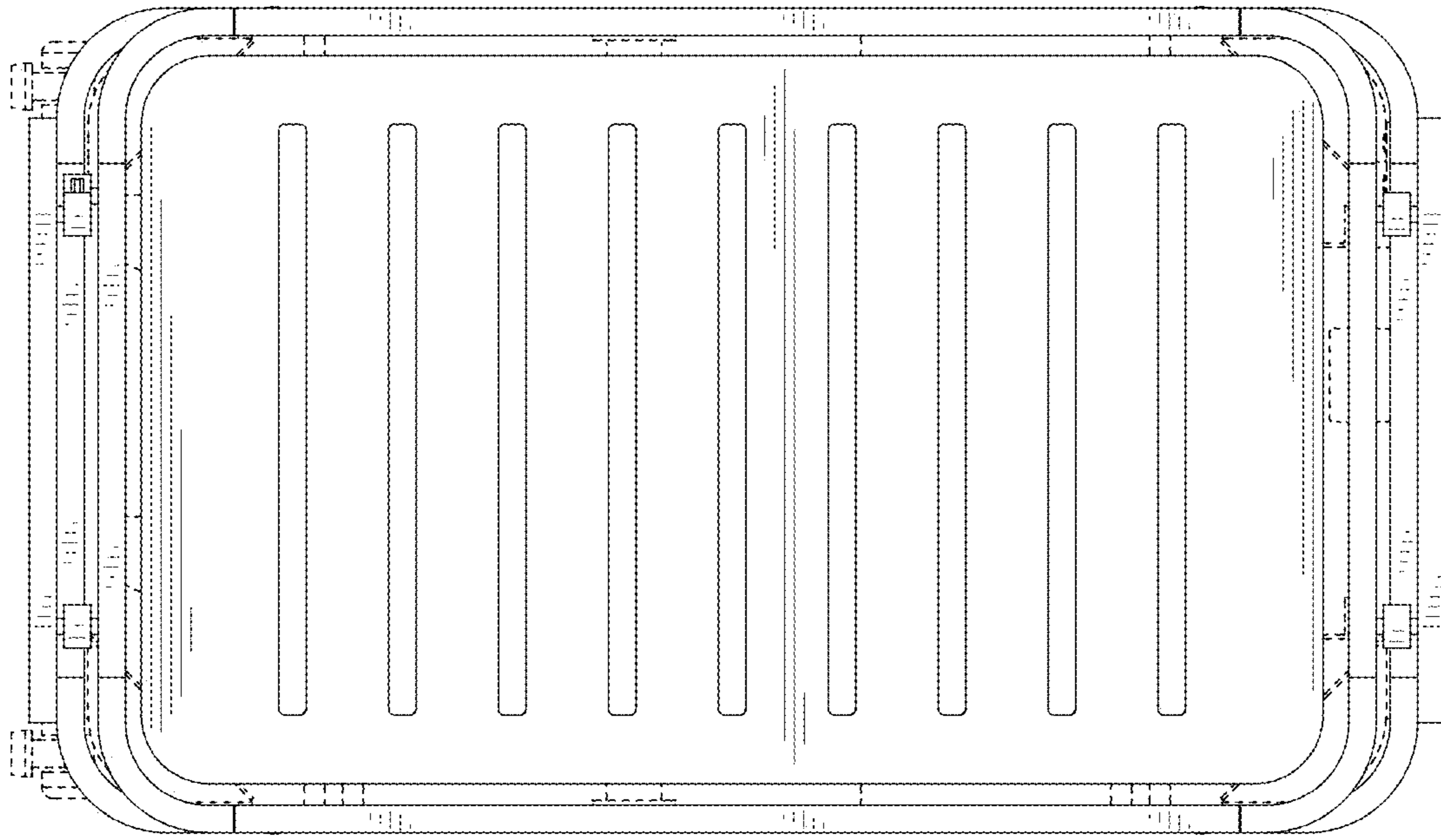


FIG. 7

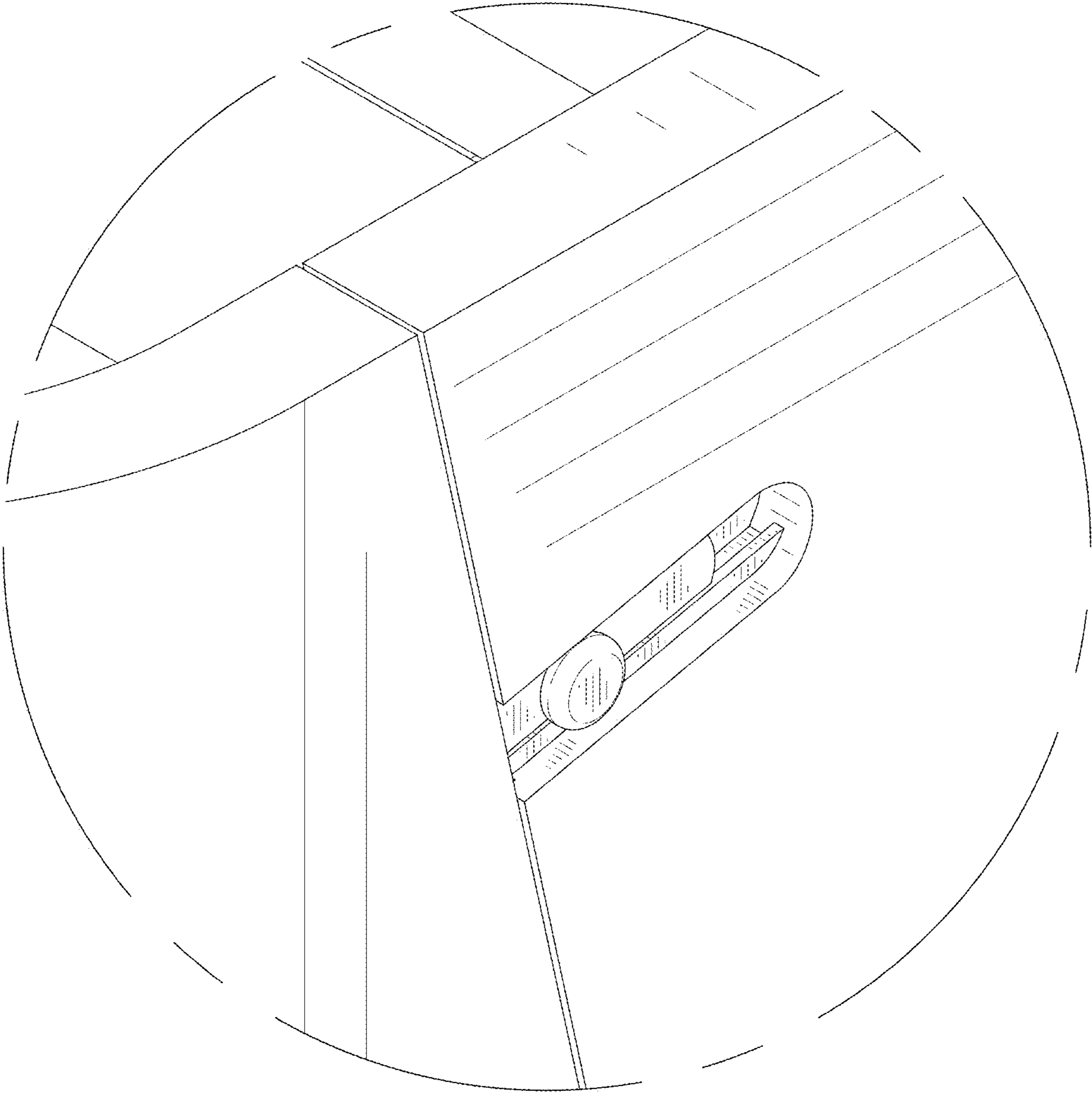


FIG. 8

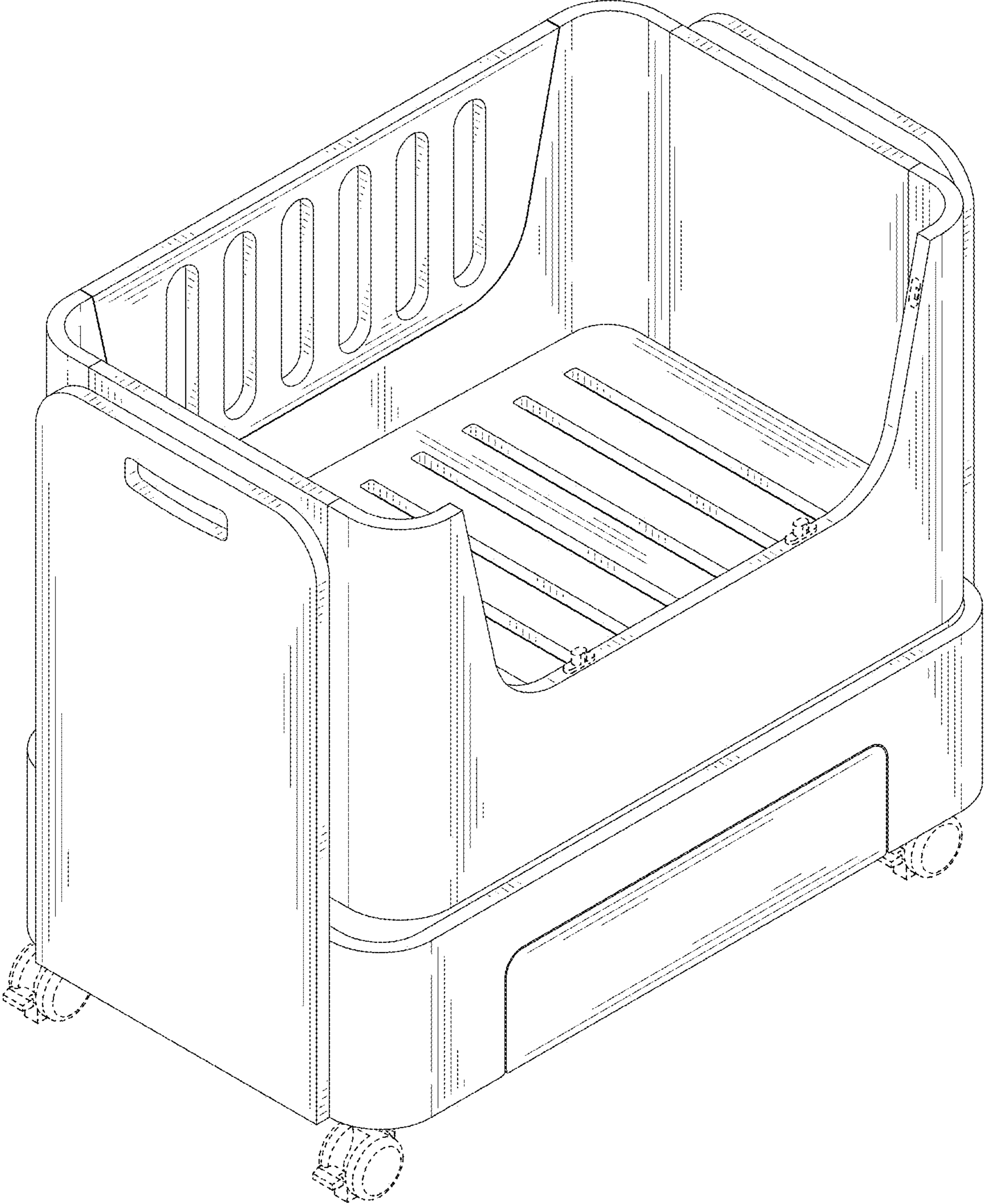


FIG. 9

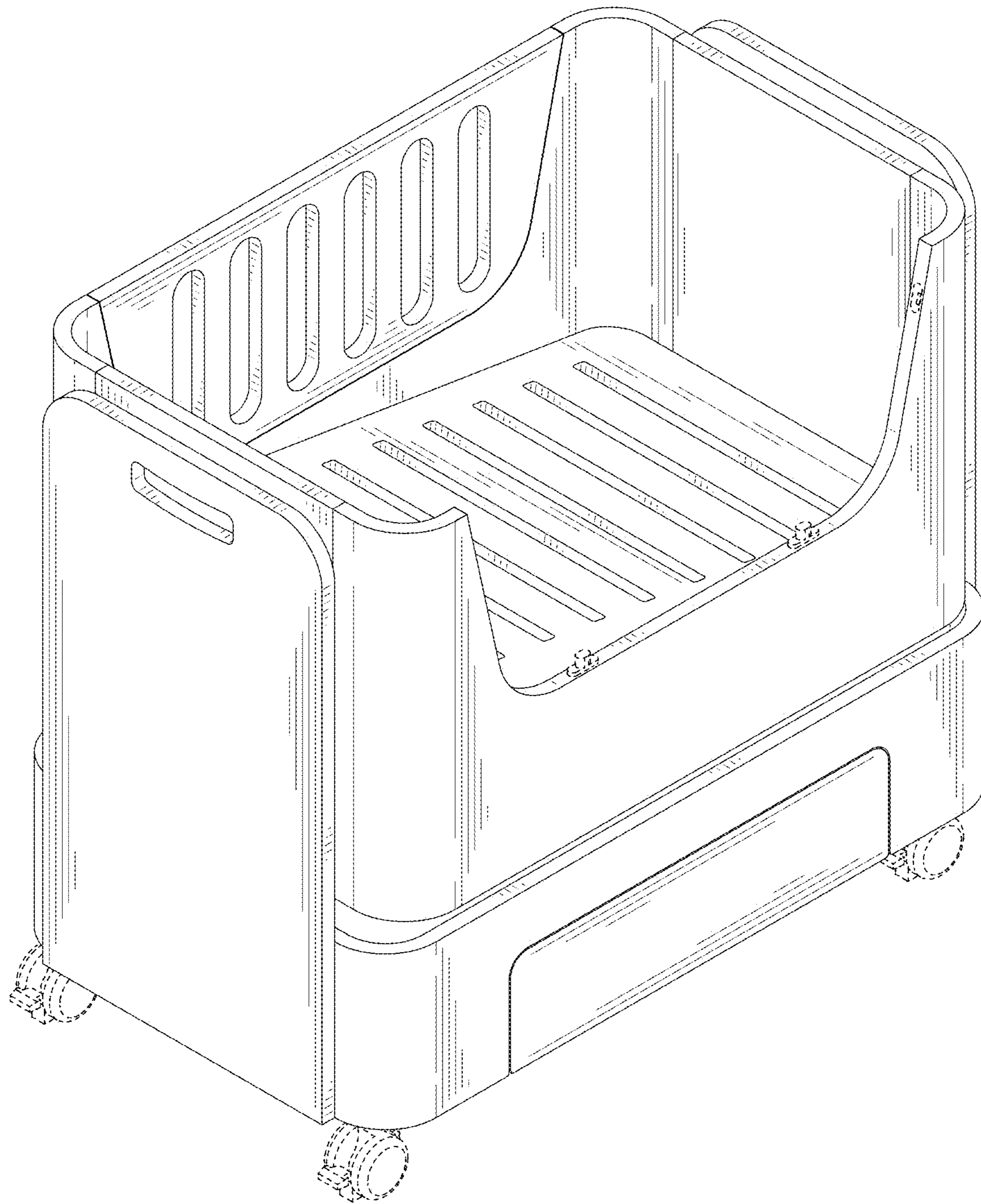


FIG. 10

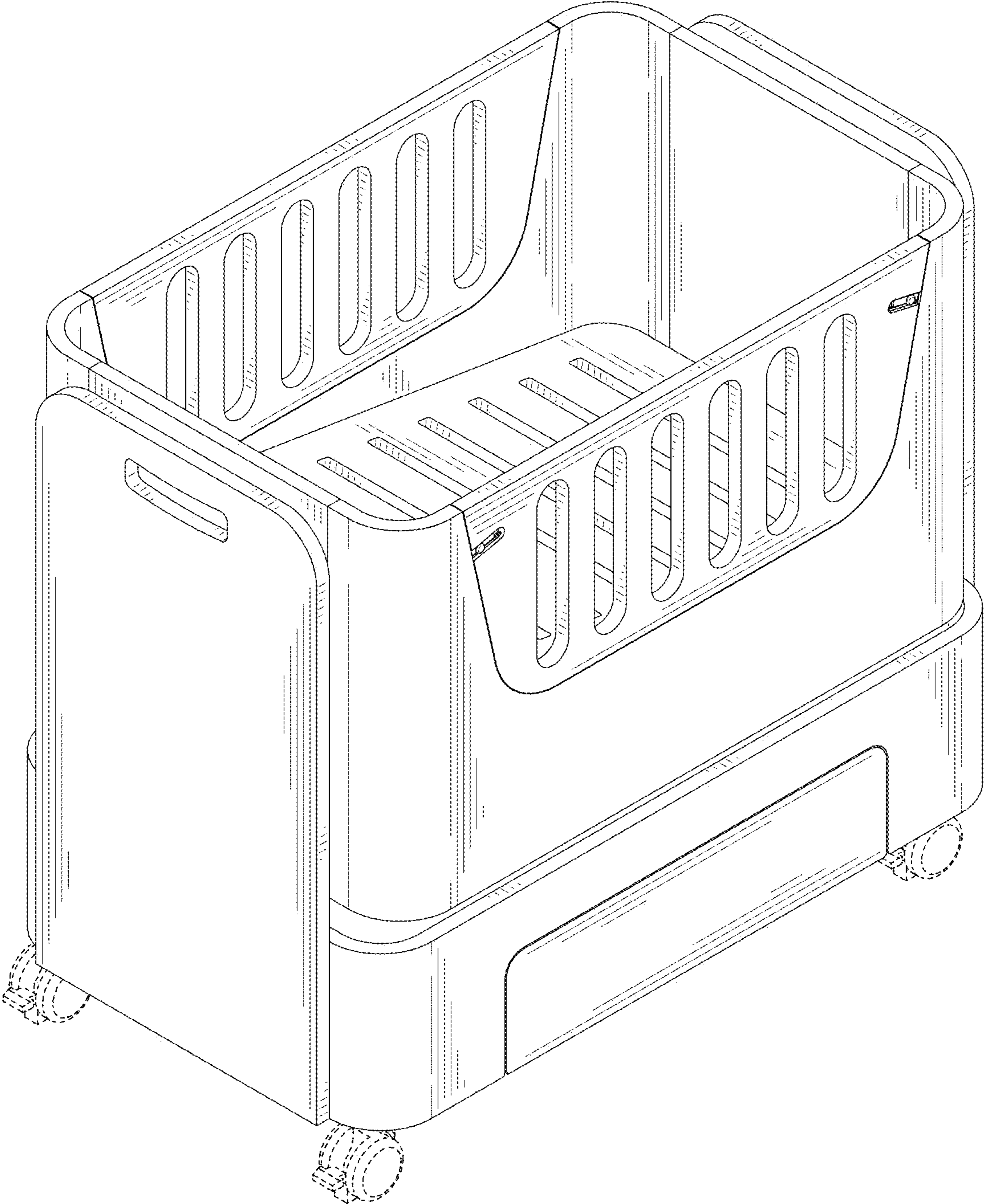


FIG. 11