



US00D970242S

(12) **United States Design Patent** (10) **Patent No.:** **US D970,242 S**  
**Liu** (45) **Date of Patent:** **\*\* Nov. 22, 2022**

(54) **ACCENT CHAIR**  
(71) Applicant: **Tingting Liu**, Shenzhen (CN)  
(72) Inventor: **Tingting Liu**, Shenzhen (CN)  
(\*\*) Term: **15 Years**

D648,557 S \* 11/2011 Frnier ..... D6/369  
D810,457 S \* 2/2018 Natuzzi ..... D6/379  
D867,007 S \* 11/2019 Lievore ..... D6/373  
D867,008 S \* 11/2019 Lievore ..... D6/381  
D874,167 S 2/2020 Tian  
D937,598 S \* 12/2021 Qin ..... D6/371  
D937,599 S 12/2021 Du  
D938,751 S 12/2021 Ciani et al.  
D939,236 S 12/2021 Bentzen

(21) Appl. No.: **29/791,480**  
(22) Filed: **Jan. 12, 2022**  
(51) **LOC (13) Cl.** ..... **06-01**  
(52) **U.S. Cl.**  
USPC ..... **D6/371**  
(58) **Field of Classification Search**  
USPC ..... D6/369, 370, 371, 372, 373, 374, 375,  
D6/378, 379  
CPC .. A47C 1/02; A47C 4/028; A47C 4/02; A47C  
7/02; A47C 7/20; A47C 7/14; A47C 7/44  
See application file for complete search history.

**OTHER PUBLICATIONS**

“Hooseng Living Room Accent Armchair . . . ” Jun. 15, 2021,  
amazon.com, site visited Aug. 11, 2022 <[https://www.amazon.com/Hooseng-Armchair-Leather-Extra-Large-Anti-Scratch-Mats-Medieval/dp/B08Z7GN9SK/ref=cm\\_cr\\_arp\\_d\\_product\\_top?ie=UTF8](https://www.amazon.com/Hooseng-Armchair-Leather-Extra-Large-Anti-Scratch-Mats-Medieval/dp/B08Z7GN9SK/ref=cm_cr_arp_d_product_top?ie=UTF8)> (Year:  
2021).\*

\* cited by examiner

*Primary Examiner* — Kevin K Rudzinski  
*Assistant Examiner* — Paul D Bohannon  
(74) *Attorney, Agent, or Firm* — Jeenam Park

(56) **References Cited**

**U.S. PATENT DOCUMENTS**

D180,689 S \* 7/1957 Jiranek ..... D6/377  
D188,046 S \* 5/1960 Galloway ..... D6/379  
3,019,051 A \* 1/1962 Nugent ..... A47C 31/11  
297/297  
D193,980 S \* 11/1962 Ritts ..... D6/369  
3,222,108 A \* 12/1965 Sanchez Pablos ..... A47C 7/282  
297/229  
D217,345 S \* 4/1970 Pitt ..... D6/363  
3,591,233 A \* 7/1971 Turcksin ..... A47C 7/14  
297/282  
D222,450 S \* 10/1971 Brook ..... D6/373  
3,896,531 A \* 7/1975 Gorman ..... A47C 4/028  
297/440.22  
D250,922 S \* 1/1979 Adkinson ..... D6/379  
D432,806 S \* 10/2000 Gomez ..... D6/379  
D562,020 S \* 2/2008 Massaud ..... D6/373  
D606,329 S \* 12/2009 Van Duysen ..... D6/375  
D612,628 S \* 3/2010 Mourgue ..... D6/379

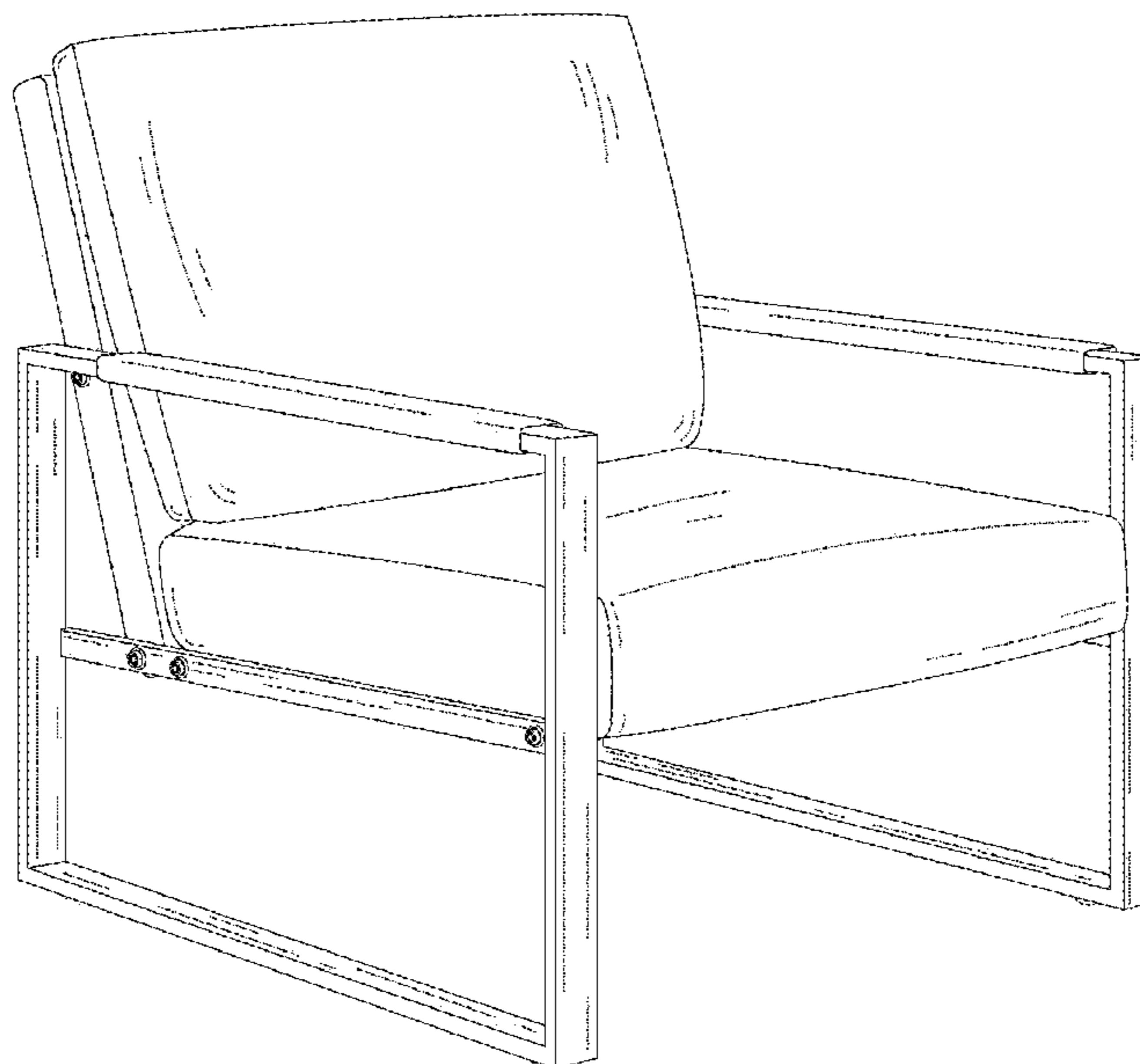
(57) **CLAIM**

The ornamental design for an accent chair, as shown and described.

**DESCRIPTION**

FIG. 1 is a perspective view of an accent chair, showing my new design;  
FIG. 2 is a front view thereof;  
FIG. 3 is a rear view thereof;  
FIG. 4 is a left side view thereof;  
FIG. 5 is a right side view thereof;  
FIG. 6 is a top plan view thereof; and,  
FIG. 7 is a bottom plan view thereof.  
The broken lines shown in the drawings illustrate portions of the article that form no part of the claimed design.

**1 Claim, 7 Drawing Sheets**



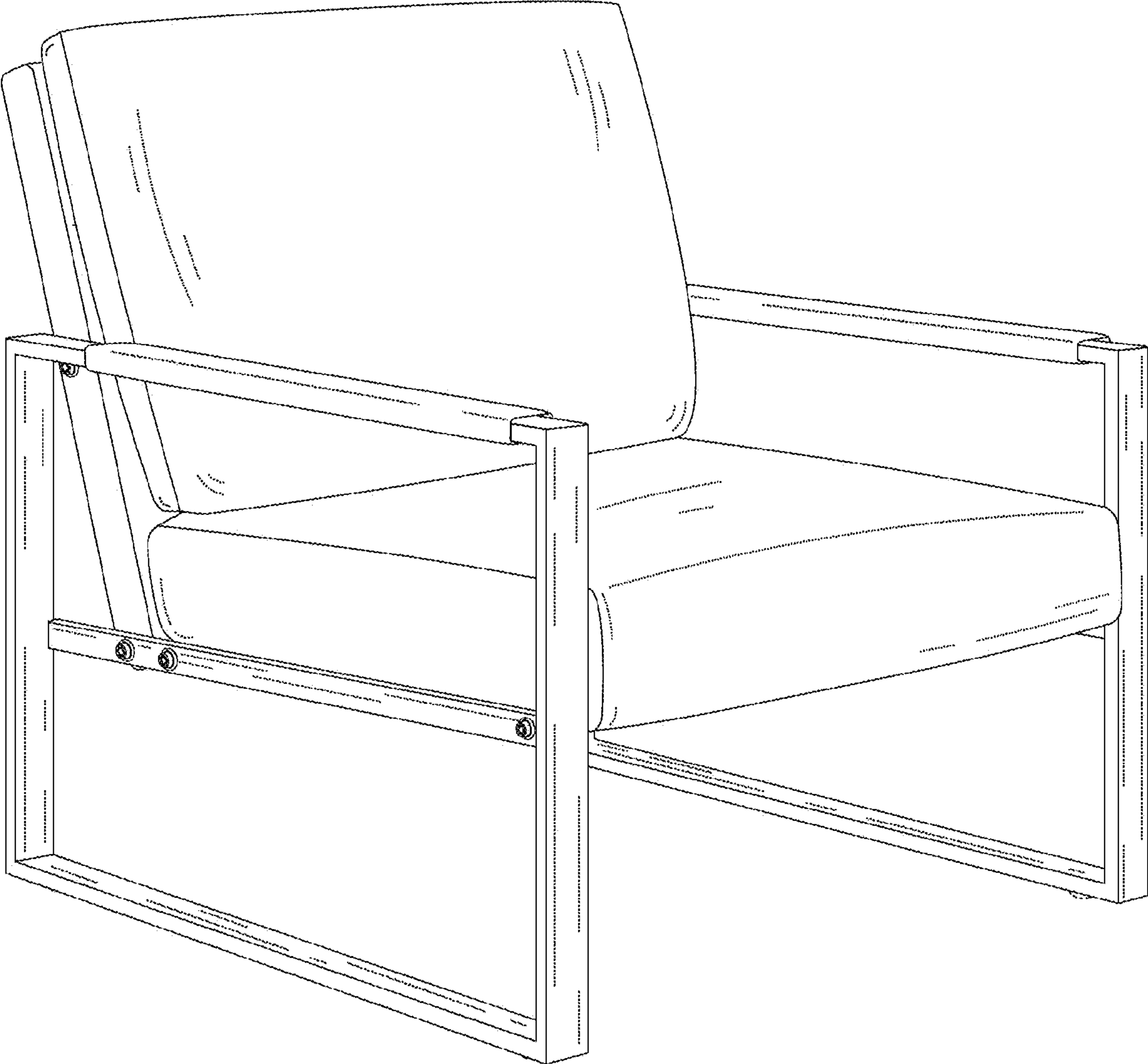


FIG. 1

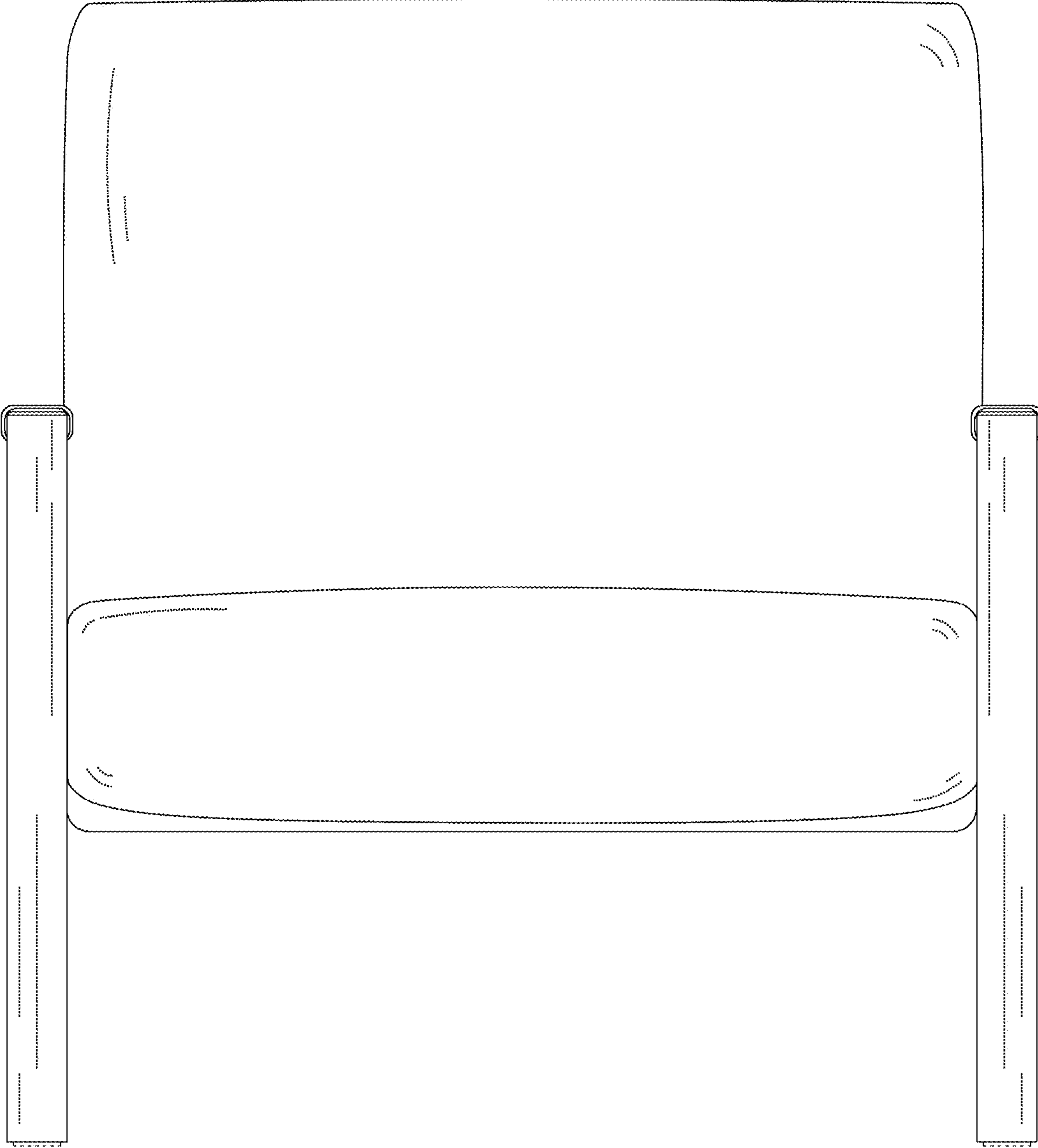


FIG. 2

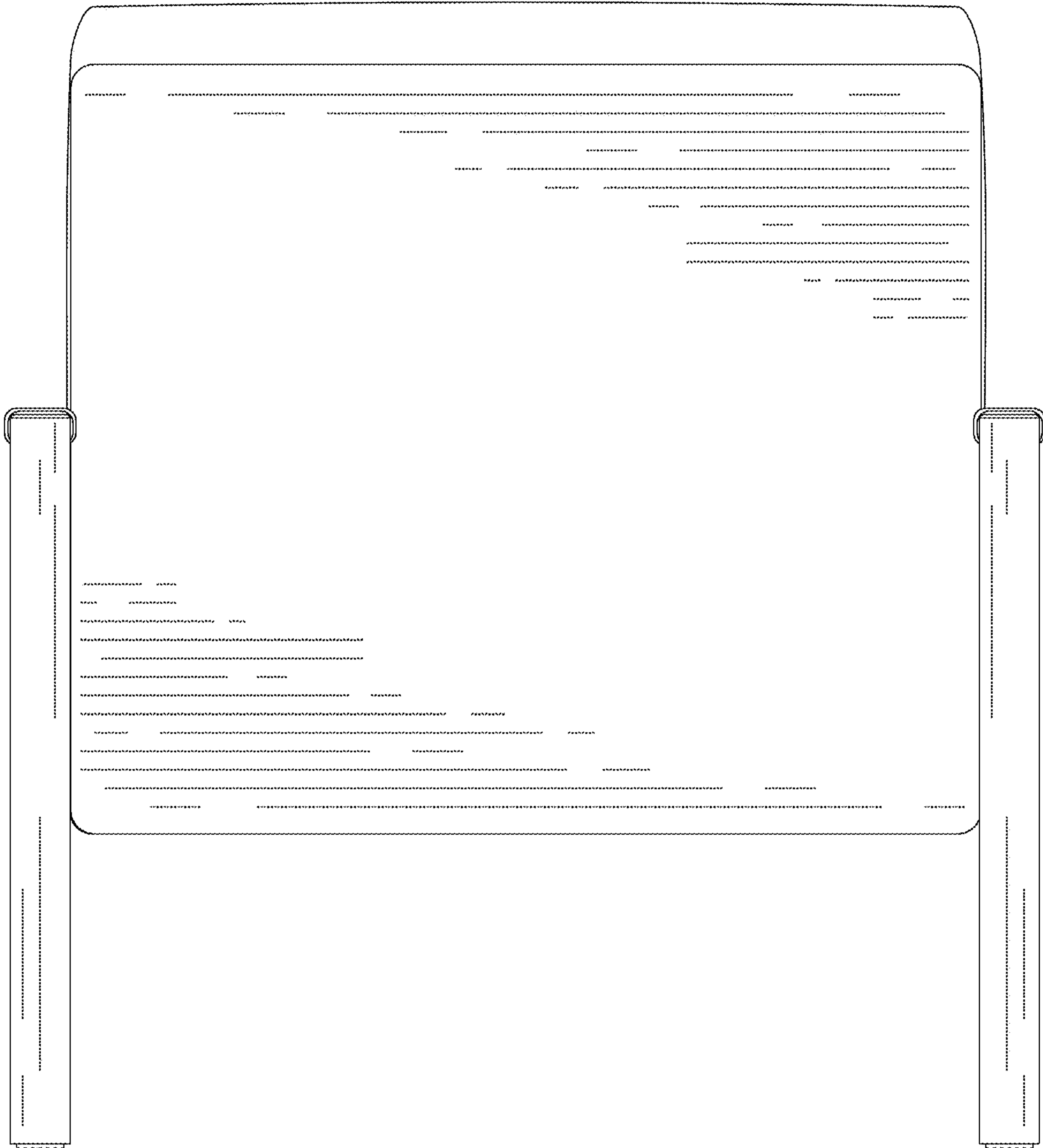


FIG. 3

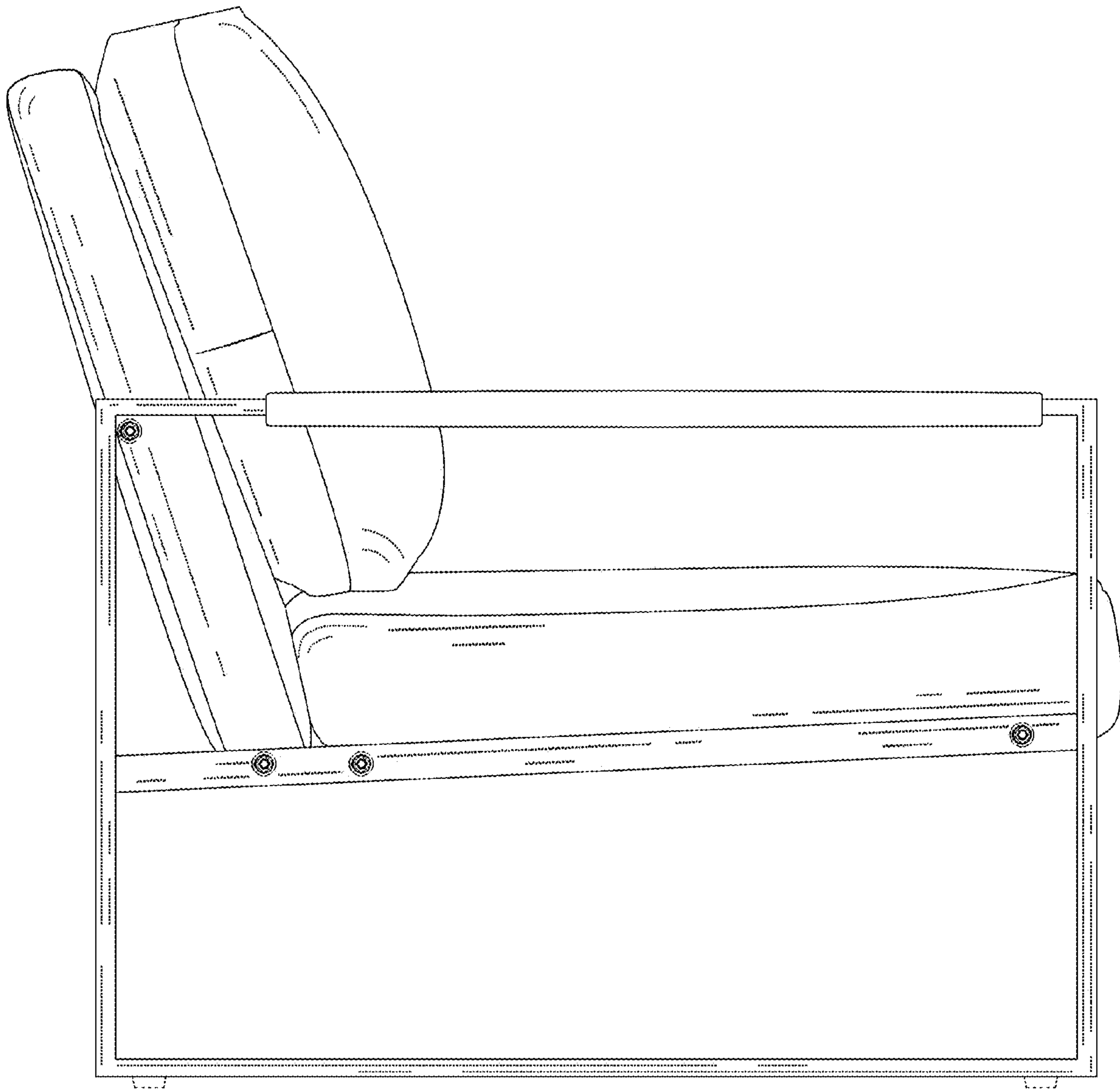


FIG. 4

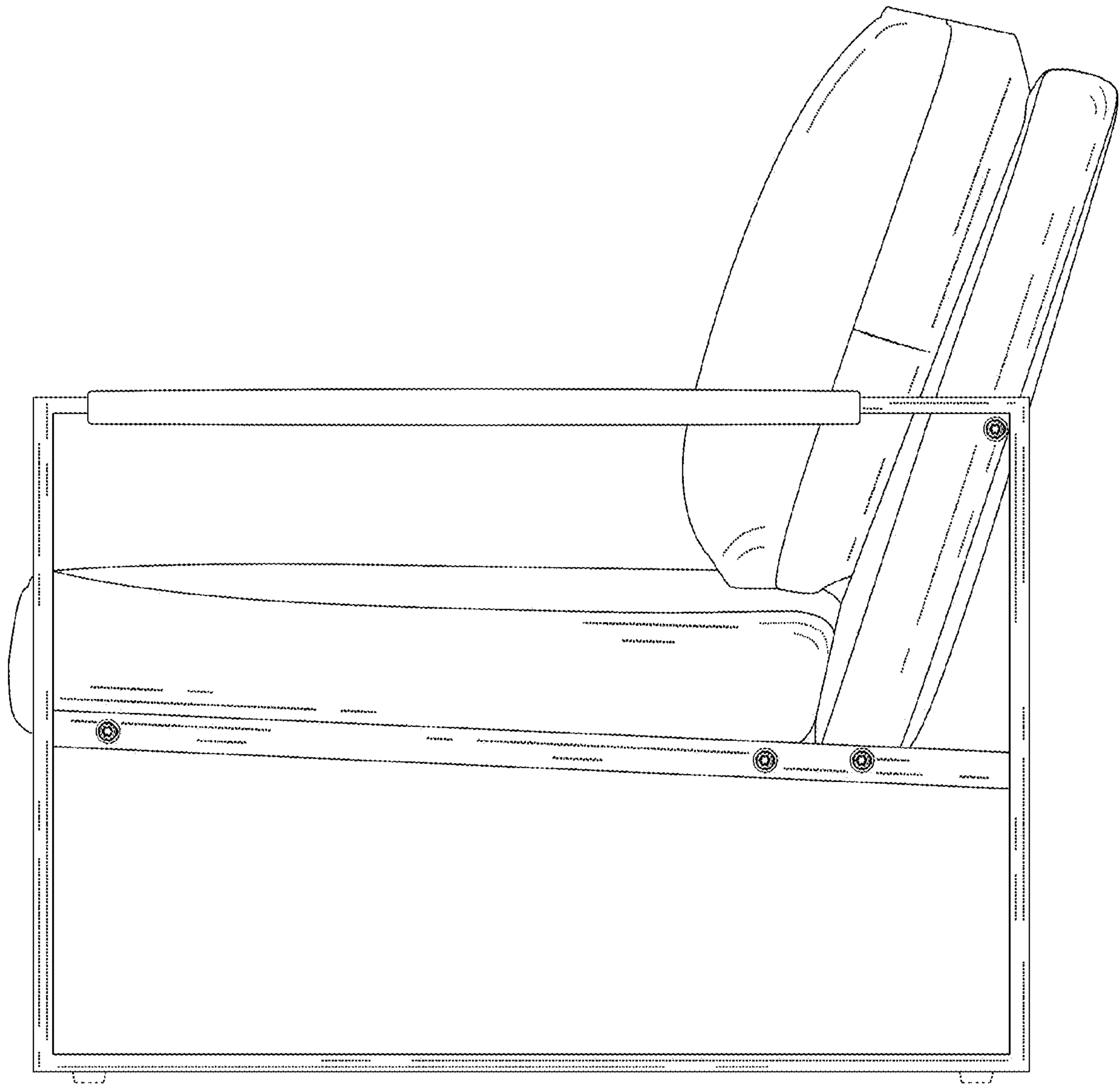


FIG. 5

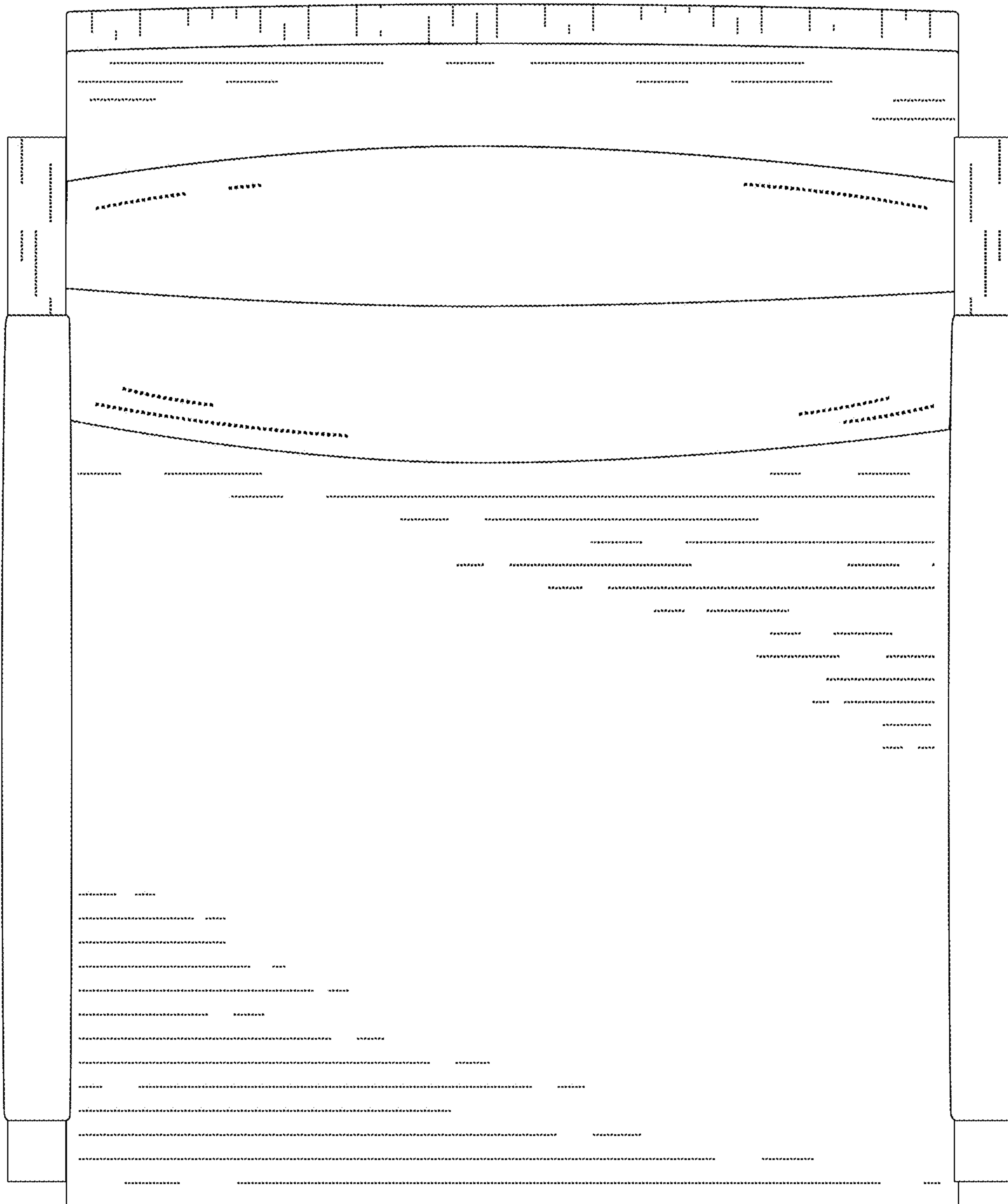


FIG. 6

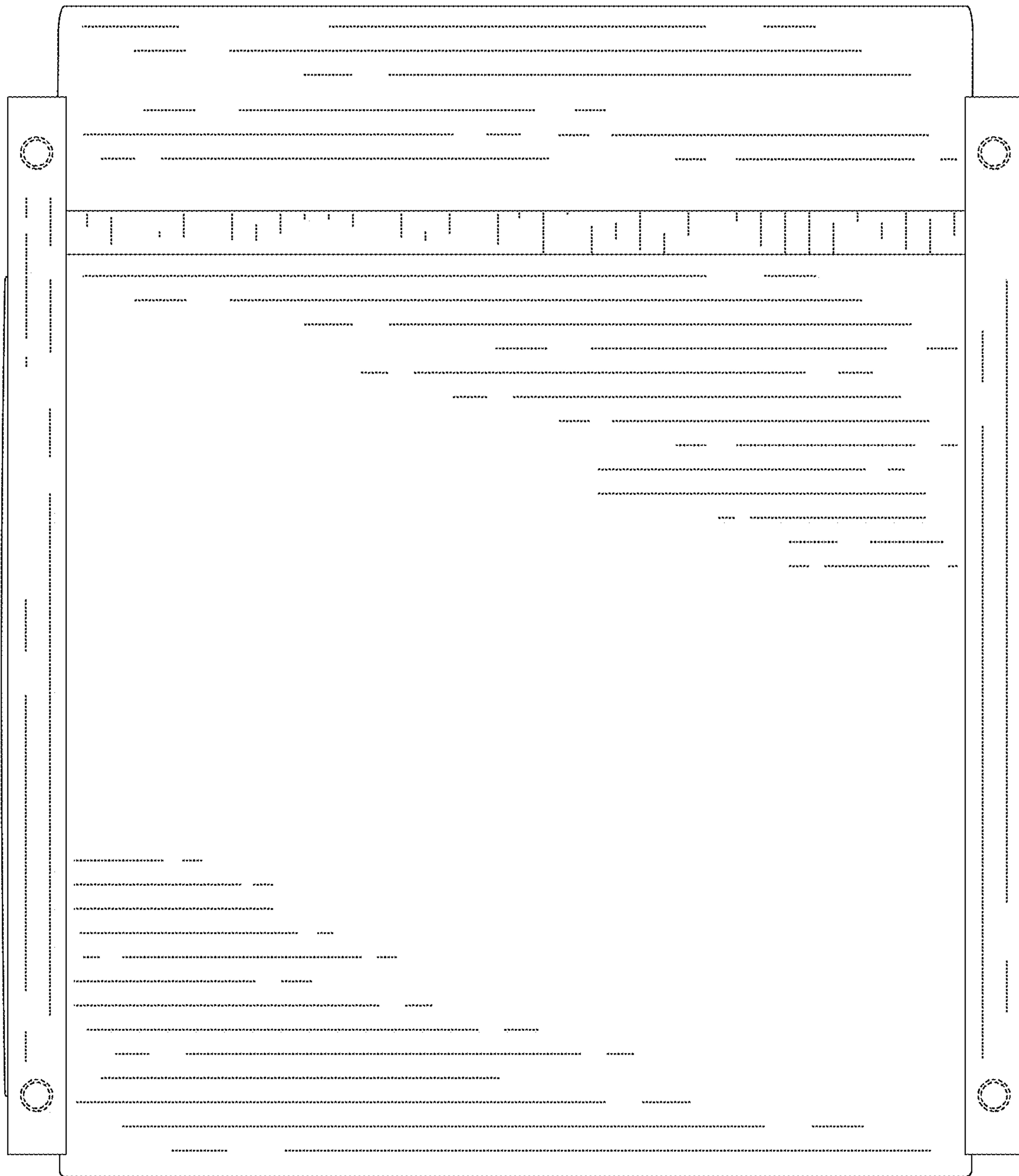


FIG. 7