



US00D970239S

(12) **United States Design Patent** (10) **Patent No.:** **US D970,239 S**
Feng (45) **Date of Patent:** **** Nov. 22, 2022**

(54) **CHAISE LOUNGE**
(71) Applicant: **Jiang Feng**, Zhejiang (CN)
(72) Inventor: **Jiang Feng**, Zhejiang (CN)
(73) Assignee: **Jiang Feng**, Ningbo (CN)
(**) Term: **15 Years**

D439,757 S * 4/2001 Saad Rionda D6/361
D512,230 S * 12/2005 Krake D6/361
D514,336 S * 2/2006 Spector D6/361
D518,655 S * 4/2006 Grosfillex D6/361
D527,938 S * 9/2006 Dandrea D6/611
8,123,291 B1 * 2/2012 Hernandez A47C 1/143
297/31
D707,049 S * 6/2014 Asner D6/361
D733,443 S * 7/2015 Griffin D6/361

(Continued)

(21) Appl. No.: **29/842,015**
(22) Filed: **Jun. 9, 2022**

(30) **Foreign Application Priority Data**

Apr. 16, 2022 (CN) 202230215216.5

(51) **LOC (13) Cl.** **06-01**

(52) **U.S. Cl.**
USPC **D6/361**

(58) **Field of Classification Search**
USPC D6/334, 335, 342, 345, 349, 352, 360,
D6/363, 364, 365, 369, 374, 375, 376,
D6/355, 381, 361, 362
CPC .. A47C 1/02; A47C 1/028; A47C 1/14; A47C
4/04; A47C 4/08; A47C 4/18; A47C 4/02;
A47C 4/03; A47C 5/10
See application file for complete search history.

(56) **References Cited**

U.S. PATENT DOCUMENTS

D135,417 S 4/1943 Smith
D150,461 S 8/1948 Roth
D166,990 S 6/1952 O'Neill
D182,797 S 5/1958 Ensign
D216,510 S 1/1970 Meyer
D233,810 S 12/1974 Uyeda
D279,732 S 7/1985 Zlotnick
D335,585 S 5/1993 Grosfillex
D369,916 S * 5/1996 Lemoine D6/361
D411,378 S * 6/1999 Van Rhienen D6/361
6,089,655 A * 7/2000 Colman A47C 1/143
239/289

OTHER PUBLICATIONS

Beige Adjustable Height Aluminum Chaise Lounge Chair by Unknown, first available: Aug. 19, 2022. Homedepot.com [online], [site visited Aug. 31, 2022], Internet URL: https://www.homedepot.com/p/Beige-Adjustable-Height-Aluminum-Chaise-Lounge-Chair-BU-YDW4-1758/321460643#overlay (Year: 2022).*

(Continued)

Primary Examiner — Steven J Czyz
Assistant Examiner — Hillary Catherine Shepard
(74) *Attorney, Agent, or Firm* — Dragon Sun Law Firm, PC; Jinggao Li; Nathaniel Perkins

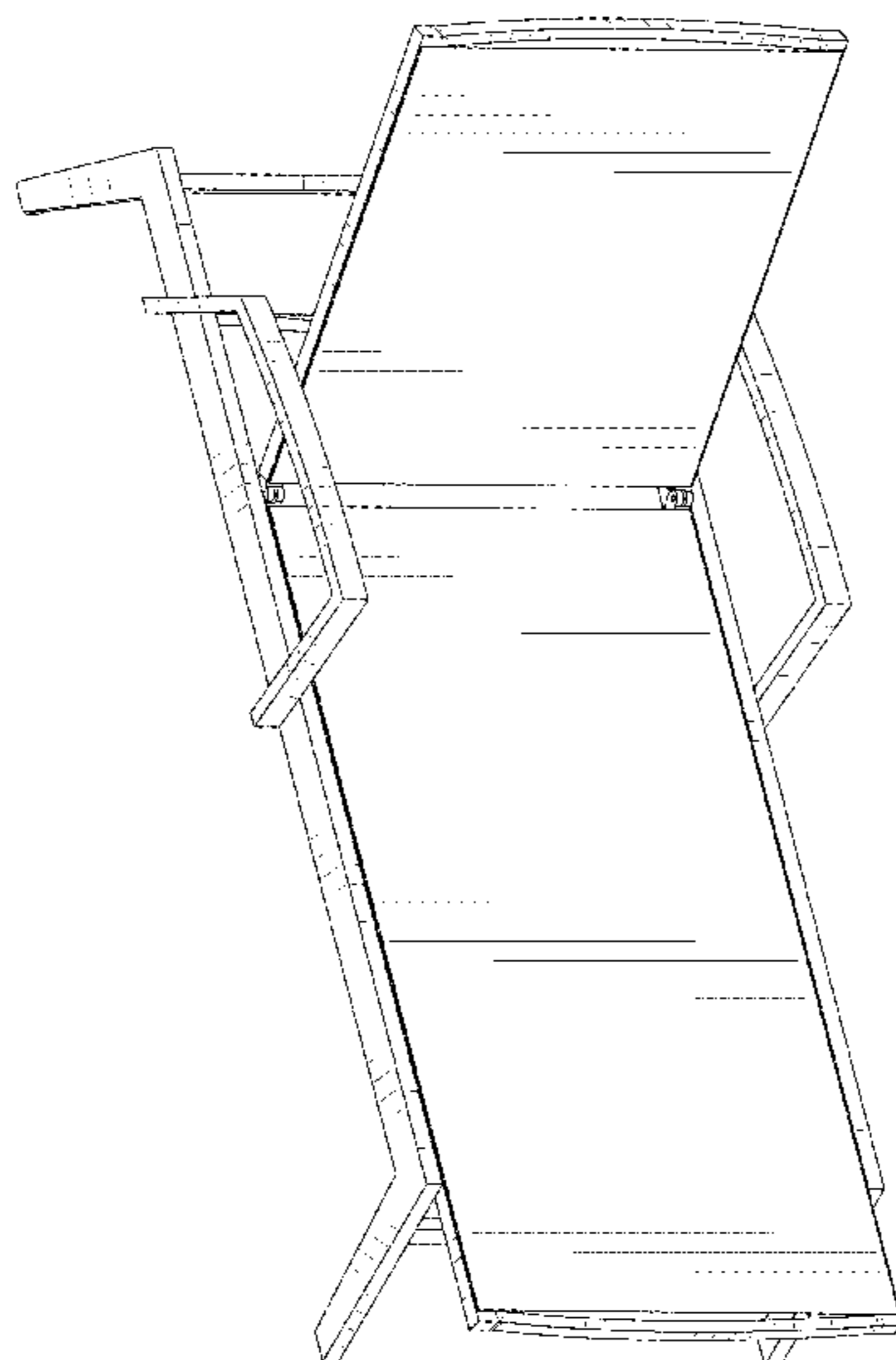
(57) **CLAIM**

The ornamental design for a chaise lounge, as shown and described.

DESCRIPTION

FIG. 1 is a top, left perspective view of a chaise lounge showing my new design;
FIG. 2 is a bottom, left perspective view thereof;
FIG. 3 is a top view thereof;
FIG. 4 is a bottom view thereof;
FIG. 5 is a left view thereof;
FIG. 6 is a right view thereof;
FIG. 7 is rear view thereof; and,
FIG. 8 is a front view thereof.

1 Claim, 8 Drawing Sheets



(56)

References Cited

U.S. PATENT DOCUMENTS

10,136,728 B2 * 11/2018 Ben-Haim A47C 1/143
D841,996 S * 3/2019 Barber D6/361
D855,342 S * 8/2019 Lievore D6/361
D957,837 S * 7/2022 Ranco D6/361
2012/0223549 A1 * 9/2012 Broyles A47C 7/744
297/180.15
2018/0255929 A1 * 9/2018 Ben-Haim A47C 1/143

OTHER PUBLICATIONS

Patio 2 Pieces Aluminum Chaise Lounge by Iwicker, first available: May 18, 2021. Amazon.com [online], [site visited Aug. 31, 2022], Internet URL: https://www.amazon.com/Iwicker-2-Pieces-Adjustable-Reclining-5-Position/dp/B0952VGQYK/ref=sr_1_28 (Year: 2021).*

Kresge 77.6" Long Reclining Chaise Lounge Set by Latitude Run, first available: Sep. 14, 2018. Wayfair.com [online], [site visited Aug. 31, 2022], Internet URL: <https://www.wayfair.com/outdoor/pdp/latitude-run-kresge-reclining-chaise-lounge-w005001605.html> (Year: 2018).*

* cited by examiner

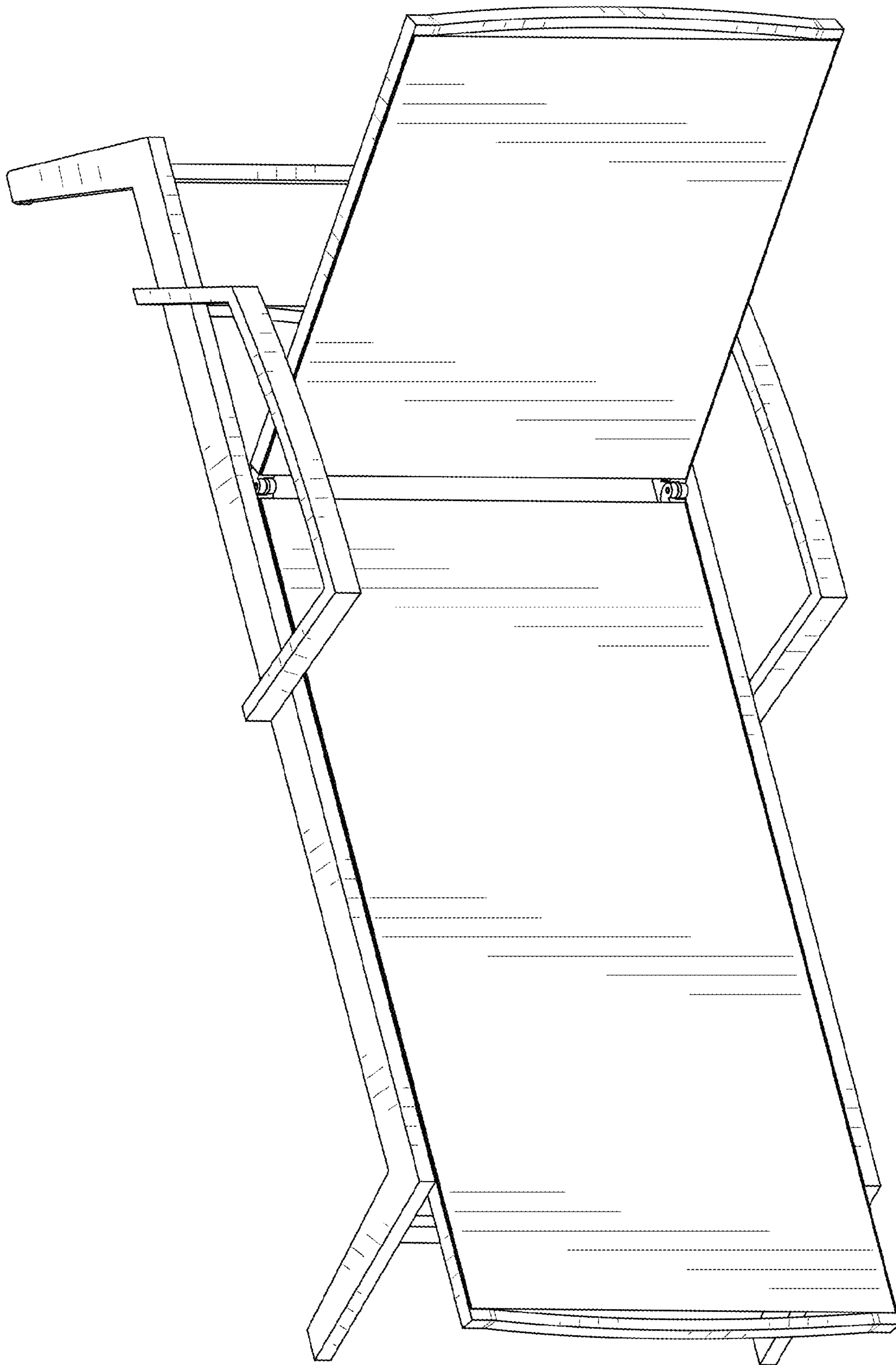


FIG. 1

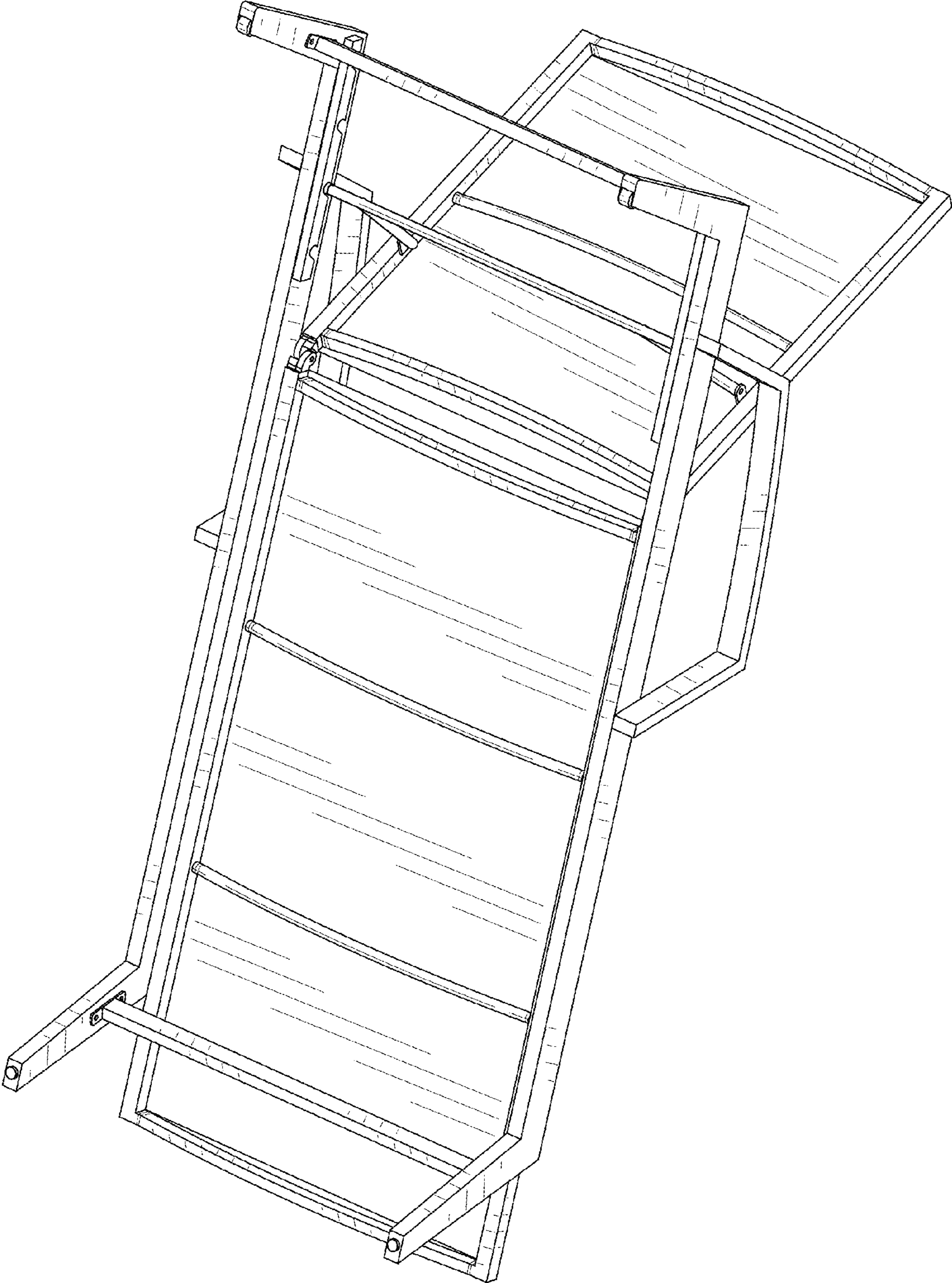


FIG. 2

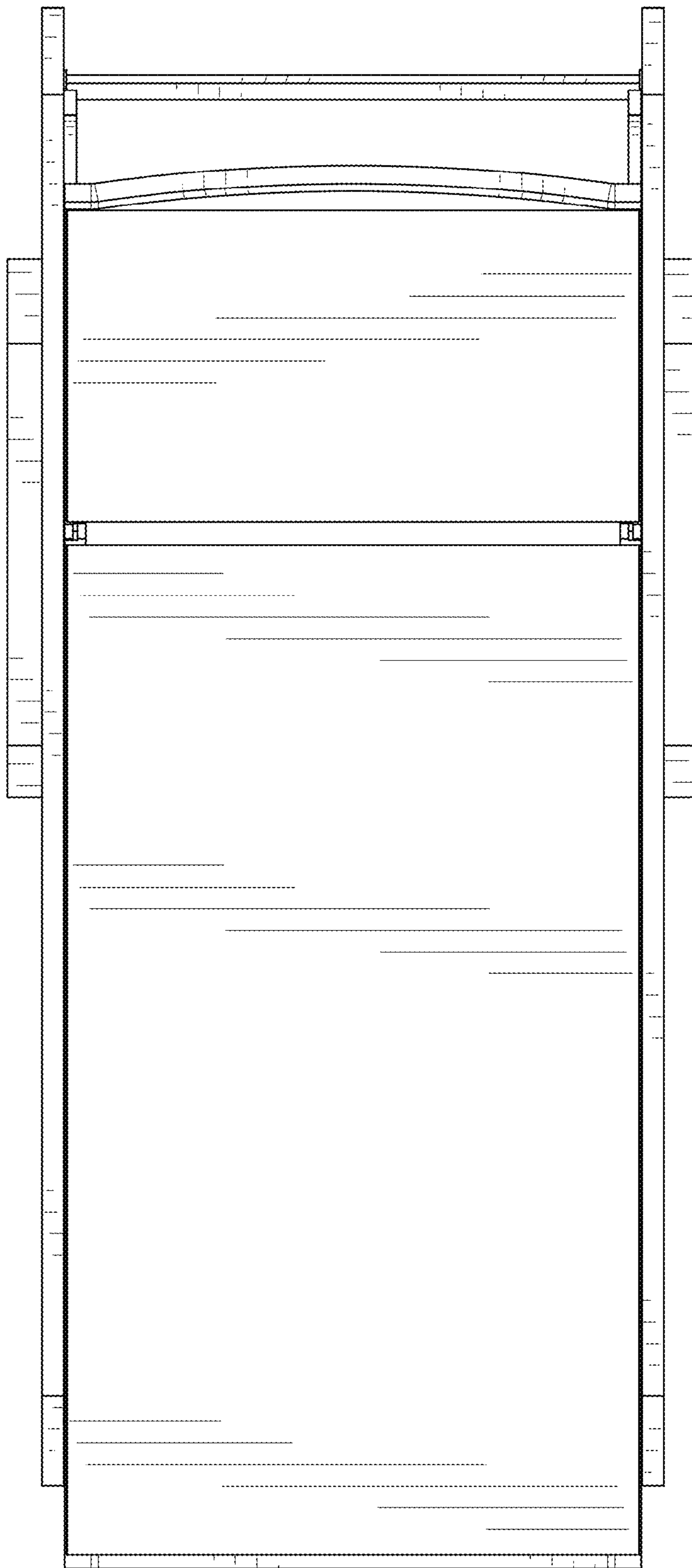


FIG. 3

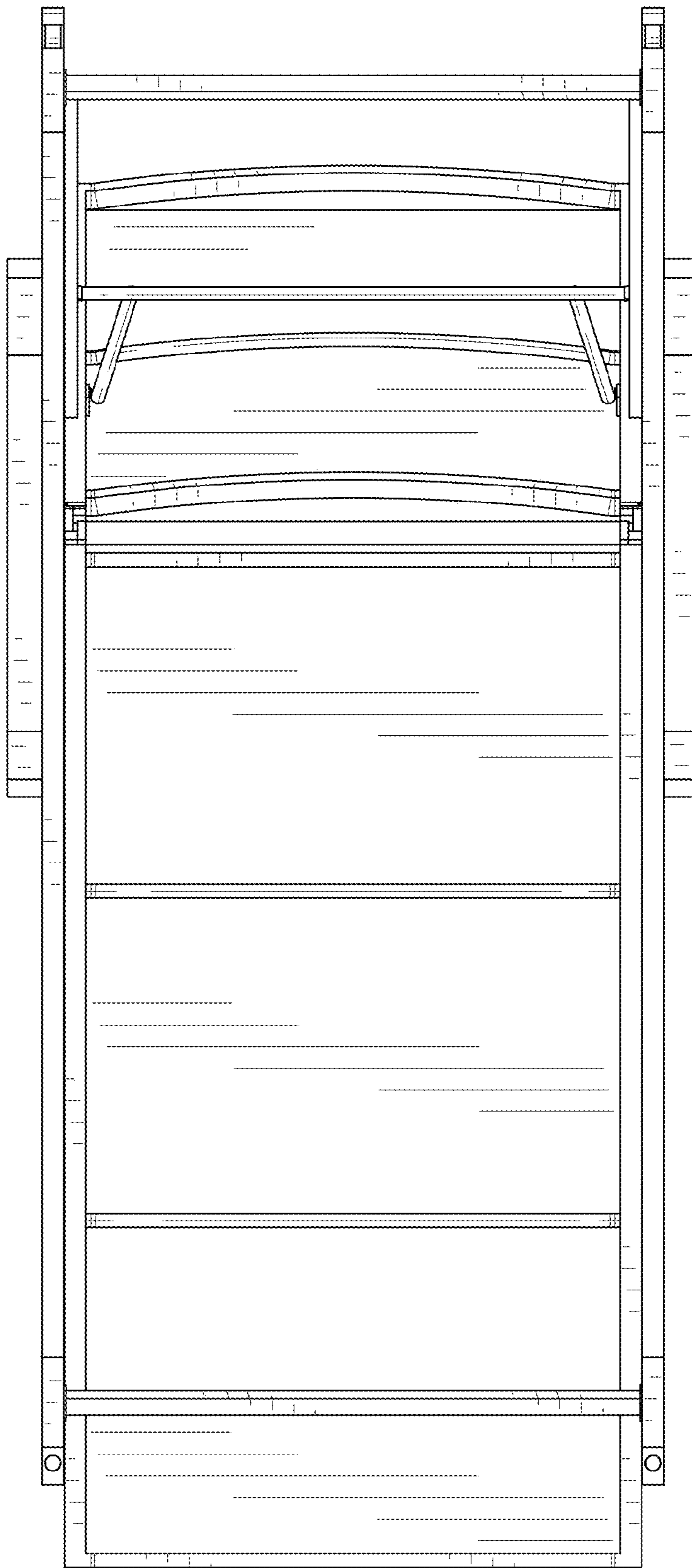


FIG. 4

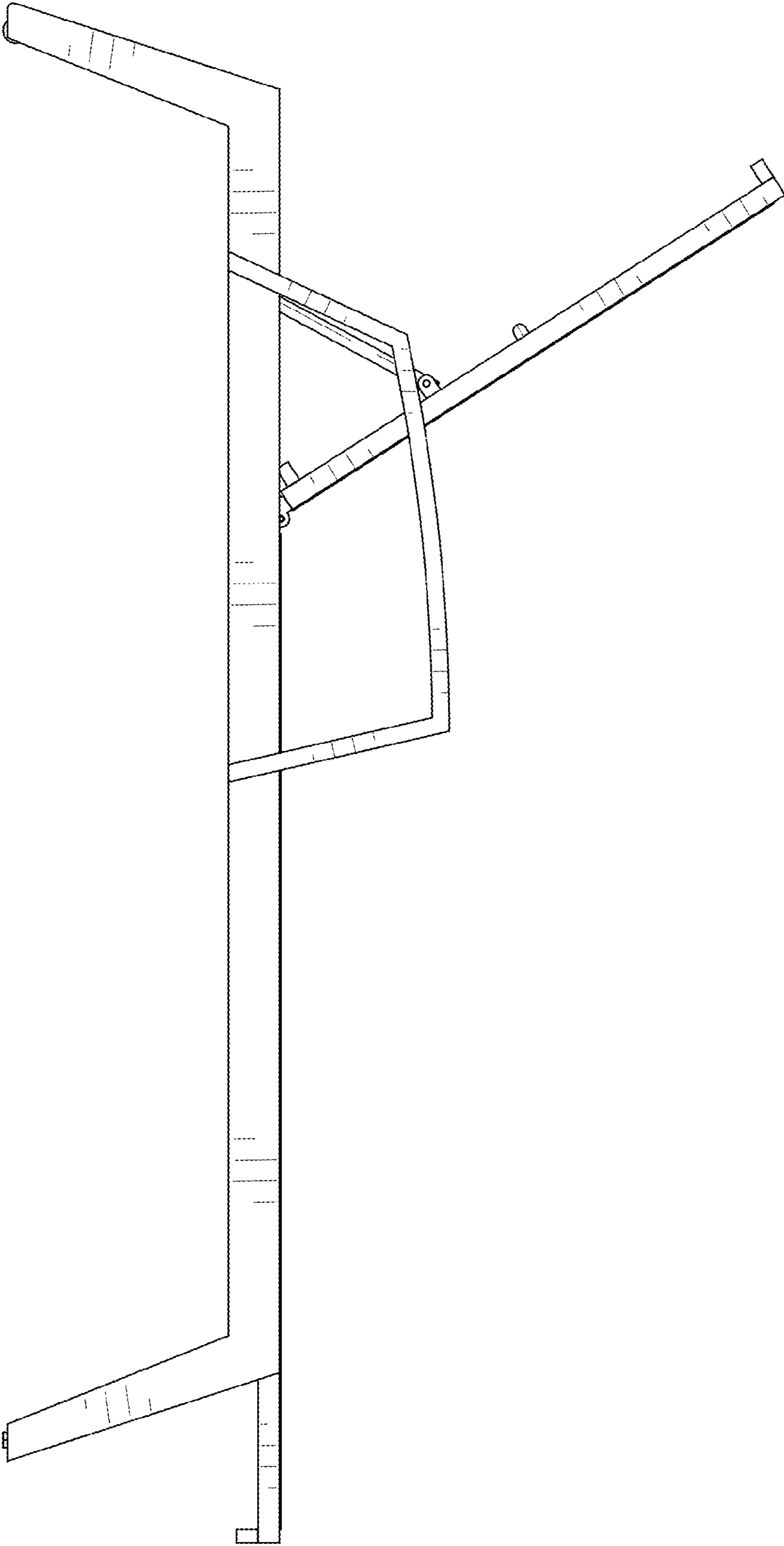


FIG. 5

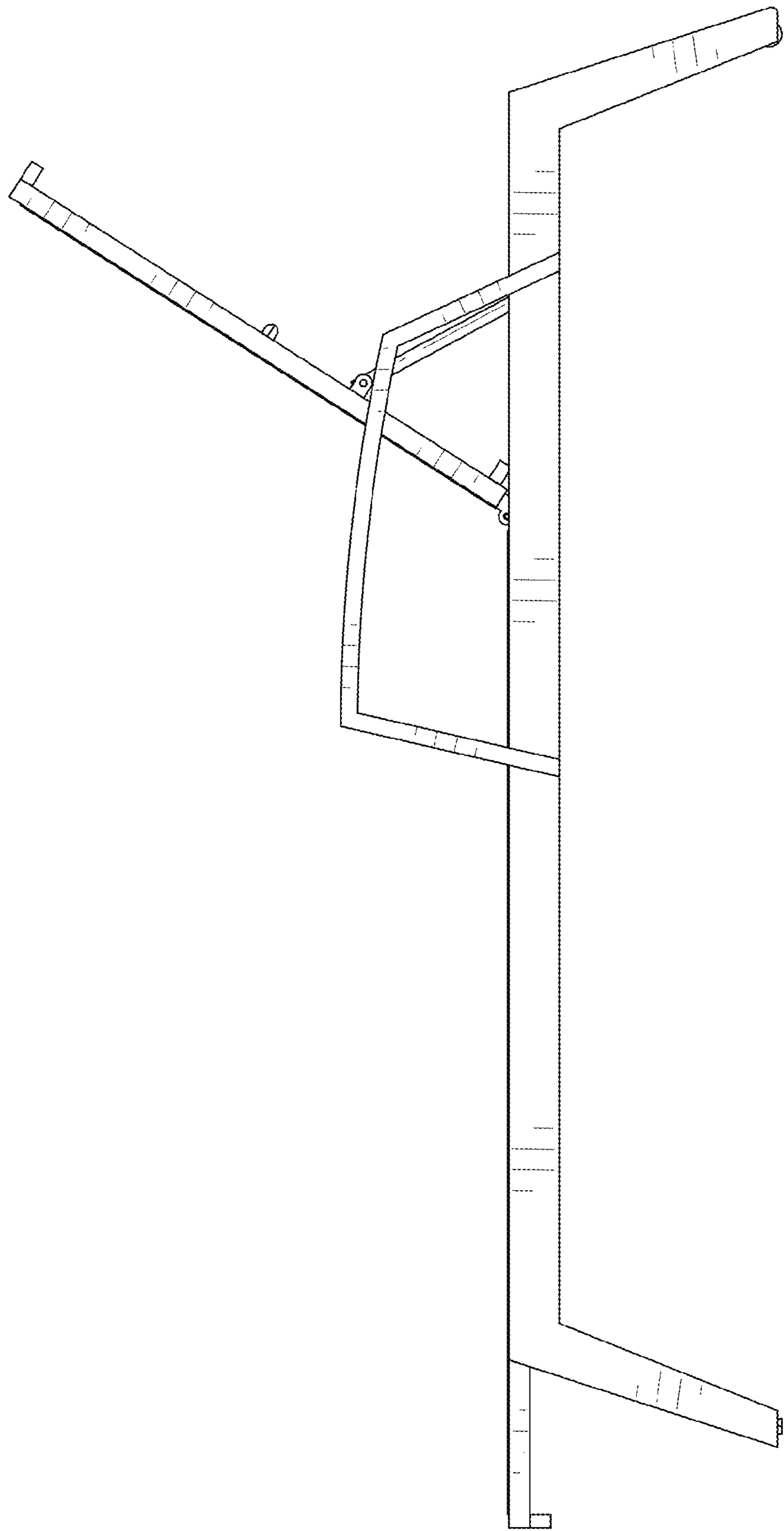


FIG. 6

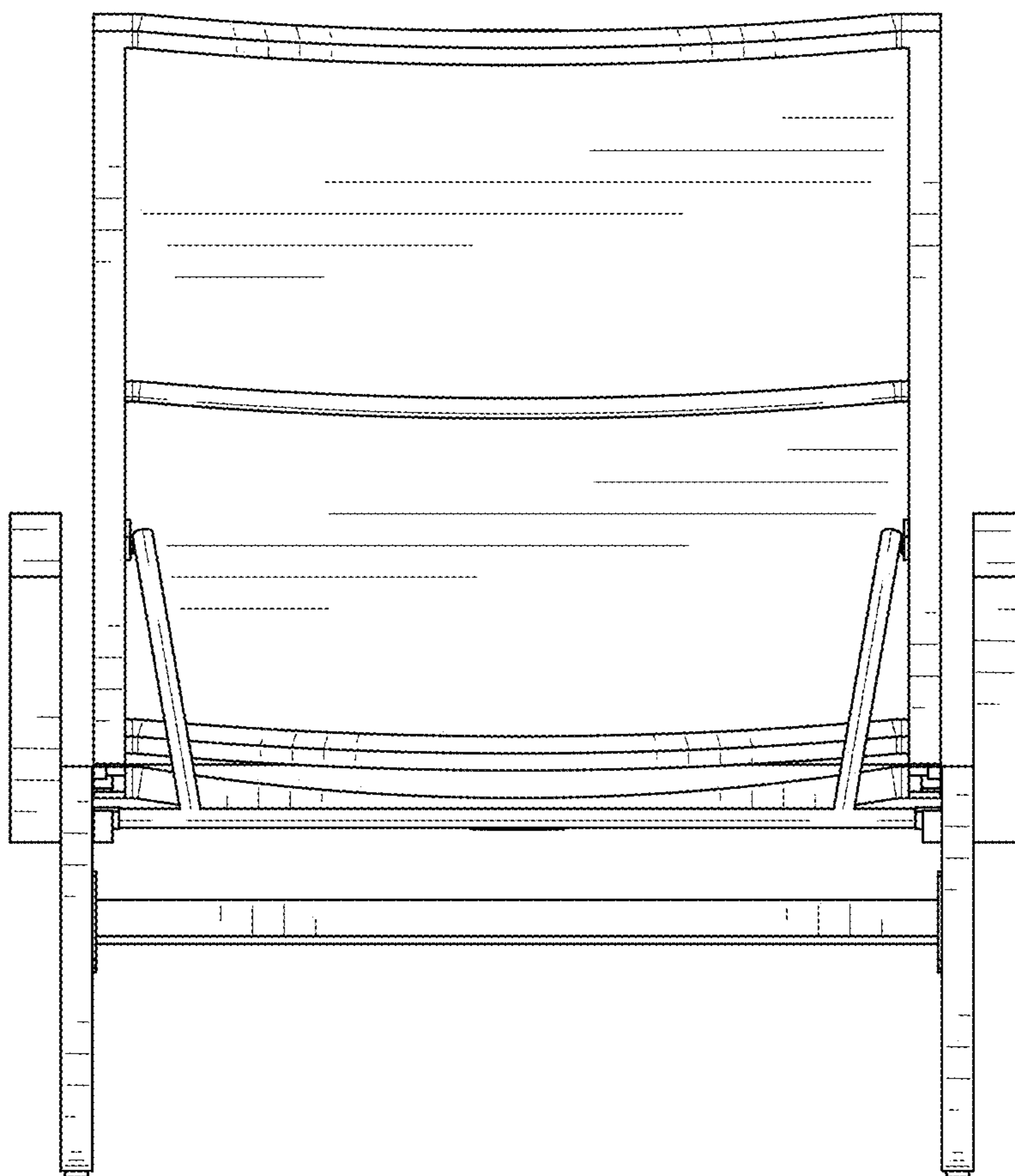


FIG. 7

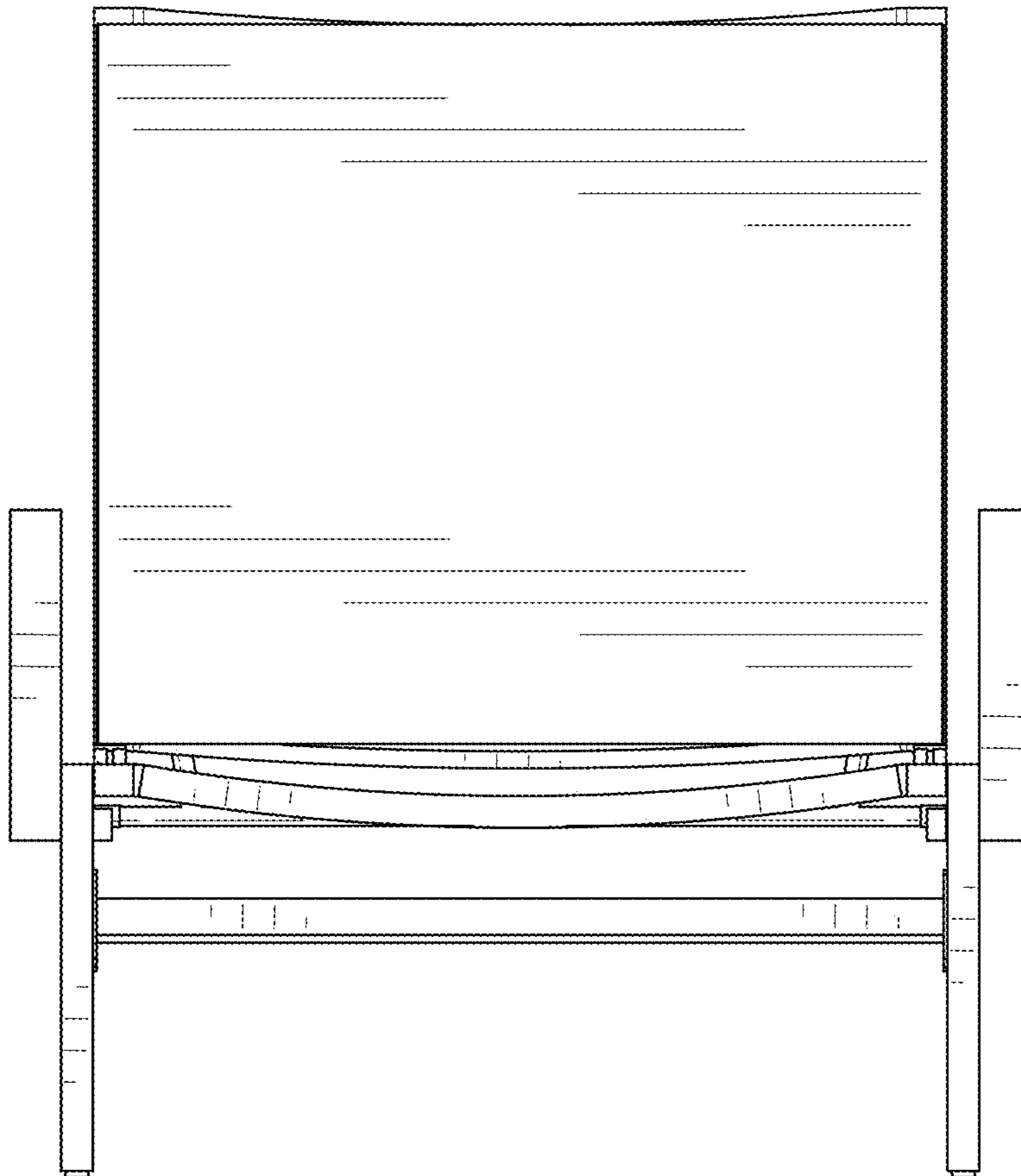


FIG. 8