



US00D970238S

(12) **United States Design Patent**  
**Kim et al.**

(10) **Patent No.:** **US D970,238 S**

(45) **Date of Patent:** **\*\* Nov. 22, 2022**

(54) **VEHICLE FRONT SEAT**

45/00; B60K 35/00; B60K 37/06; B60K  
2026/026; B60K 2370/685; B60K  
2370/744

(71) Applicant: **Canoo Technologies Inc.**, Torrance, CA  
(US)

See application file for complete search history.

(72) Inventors: **Richard Kim**, Los Angeles, CA (US);  
**Taeho Kim**, South Pasadena, CA (US);  
**Arthur Henrique Martins Junior**, Los  
Angeles, CA (US); **Cameron Bresn**,  
Redondo Beach, CA (US); **Jarrad**  
**Adams**, Hermosa Beach, CA (US)

(56) **References Cited**

U.S. PATENT DOCUMENTS

1,978,494 A 10/1934 Junkers  
D426,392 S 6/2000 Ott et al.  
(Continued)

(73) Assignee: **Canoo Technologies Inc.**, Torrance, CA  
(US)

OTHER PUBLICATIONS

(\*\*) Term: **15 Years**

Non-final Office Action dated Feb. 18, 2022, in connection with  
U.S. Appl. No. 29/706,603, 16 pages.

(21) Appl. No.: **29/791,945**

(Continued)

(22) Filed: **Feb. 21, 2022**

*Primary Examiner* — Paul D Bohannon

**Related U.S. Application Data**

(62) Division of application No. 29/706,603, filed on Sep.  
20, 2019.

(51) **LOC (13) Cl.** ..... **06-01**

(52) **U.S. Cl.**  
USPC ..... **D6/356**

(58) **Field of Classification Search**

USPC ..... D6/334, 356, 360, 369, 370, 374, 376,  
D6/716, 716.1, 716.2, 716.3, 716.4,  
D6/716.5, 716.7, 366, 335, 342, 364, 375;  
D21/521, 533, 548; D12/133, 7, 85, 187,  
D12/400, 195; D14/172  
CPC .... A61H 2201/0149; B60N 2/06; B60N 2/20;  
B60N 2/22; B60N 2/58; B60N 2/68;  
B60N 2/80; B60N 2/643; B60N 2/888;  
B60N 2/859; B60N 2/1615; B60N  
2/7035; B60N 2/42745; B60N 2002/0272;  
B60N 2205/35; B60N 2/44; B60N 2/56;  
B60N 2/206; B60N 2/366; B60N 2/933;  
B60N 2/2222; B60N 2/2245; B60N  
2/686; B60N 2/688; B60N 2/46; B60N  
2/30; F16B 2/08; F16B 2/803; F16B

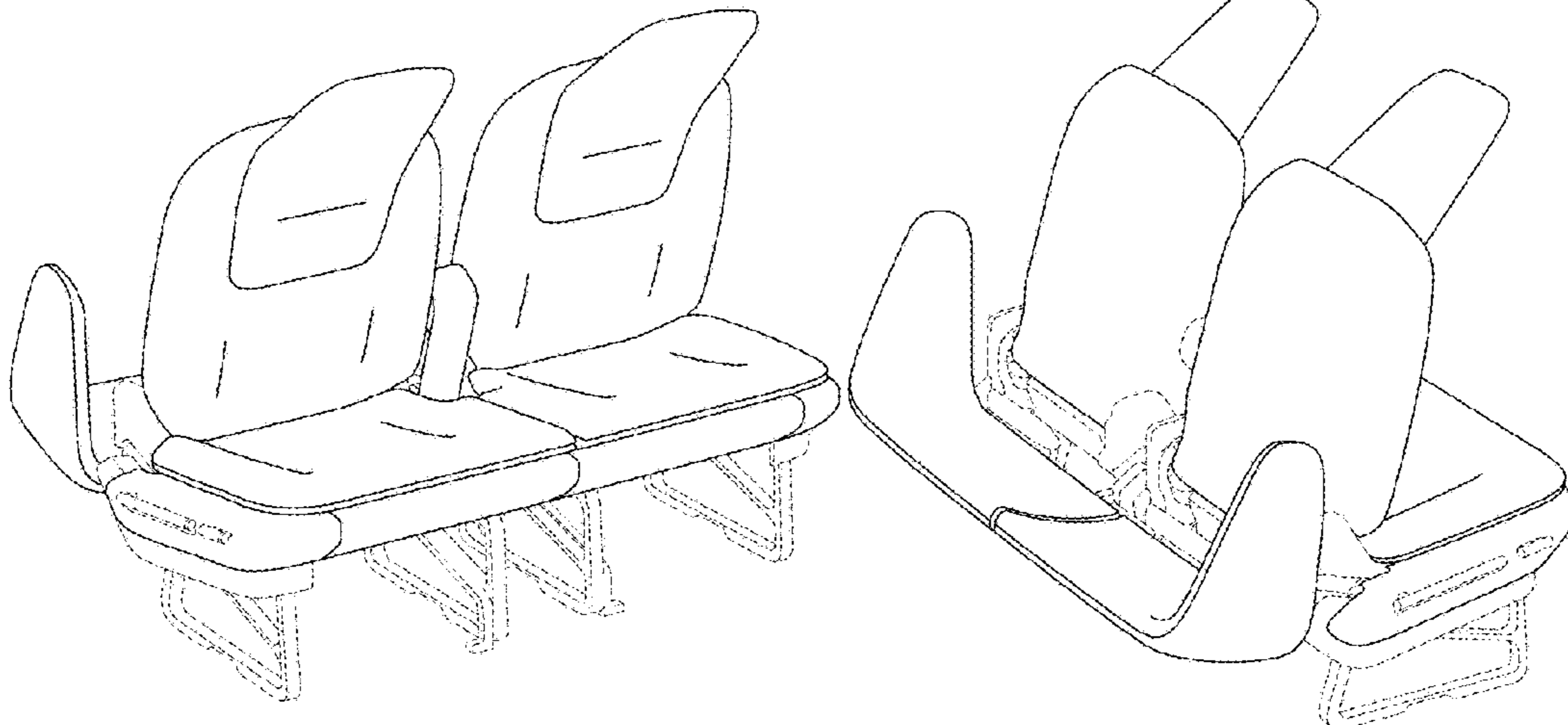
(57) **CLAIM**

The ornamental design for a vehicle front seat, as shown and  
described.

**DESCRIPTION**

FIG. 1 is a front view of a vehicle front seat, where the  
vehicle front seat is shown in a first position of use,  
according to the present invention.  
FIG. 2 is a side view thereof.  
FIG. 3 is a side view of the vehicle front seat, where the  
vehicle front seat is shown in a second position of use.  
FIG. 4 is first perspective view thereof.  
FIG. 5 is a second perspective view thereof.  
FIG. 6 is a first top view thereof.  
FIG. 7 is a second top view thereof; and,  
FIG. 8 is a rear view thereof.  
Mirror images of side views are within the scope of the  
claimed design even if not illustrated.  
Features shown in broken lines do not form part of the  
claimed design.

**1 Claim, 8 Drawing Sheets**



(56)

**References Cited**

U.S. PATENT DOCUMENTS

D513,132 S \* 12/2005 Yamazaki ..... D6/381  
 D577,499 S 9/2008 Tsay et al.  
 D590,612 S \* 4/2009 Zhang ..... D6/356  
 D612,163 S 3/2010 Wagener  
 D617,104 S 6/2010 Wagener  
 7,758,129 B2 \* 7/2010 Maruno ..... B60N 2/36  
 296/65.09  
 D650,189 S \* 12/2011 Nakaminami ..... D6/356  
 D651,004 S 12/2011 Fleming  
 D672,160 S 12/2012 Wagener  
 D707,047 S 6/2014 Carter et al.  
 D707,048 S 6/2014 Nishida et al.  
 D711,125 S 8/2014 Nishida et al.  
 D723,822 S 3/2015 Cai et al.  
 D726,426 S 4/2015 Carter et al.  
 D747,891 S 1/2016 Kasparian et al.  
 D755,531 S \* 5/2016 Ahn ..... D6/356  
 D774,319 S \* 12/2016 Ingnlath ..... D6/356  
 D778,080 S \* 2/2017 Ahn ..... D6/356  
 D822,397 S 7/2018 Waterhouse et al.

D841,348 S \* 2/2019 Hodder ..... D6/356  
 D861,364 S \* 10/2019 Pinder ..... D6/356  
 D862,099 S \* 10/2019 Hodder ..... D6/356  
 D915,090 S \* 4/2021 Zhang ..... D6/356  
 D924,583 S \* 7/2021 Kang ..... D6/356  
 11,230,208 B2 \* 1/2022 Flick ..... B60N 2/0818  
 11,235,719 B2 \* 2/2022 Onuma ..... B60R 16/037  
 2002/0070594 A1 \* 6/2002 Mochizuki ..... B60N 2/067  
 297/344.1  
 2022/0041083 A1 \* 2/2022 Mondragon ..... B60N 2/6054

OTHER PUBLICATIONS

Non-final Office Action dated May 5, 2022, in connection with U.S. Appl. No. 29/791,946, 9 pages.  
 Notice of Allowance dated May 4, 2022, in connection with U.S. Appl. No. 29/706,603, 7 pages.  
 Ex parte Quayle Action dated May 10, 2022, in connection with U.S. Appl. No. 29/791,947, 10 pages.  
 Restriction Requirement dated Jan. 27, 2022, in connection with U.S. Appl. No. 29/706,603, 7 pages.

\* cited by examiner

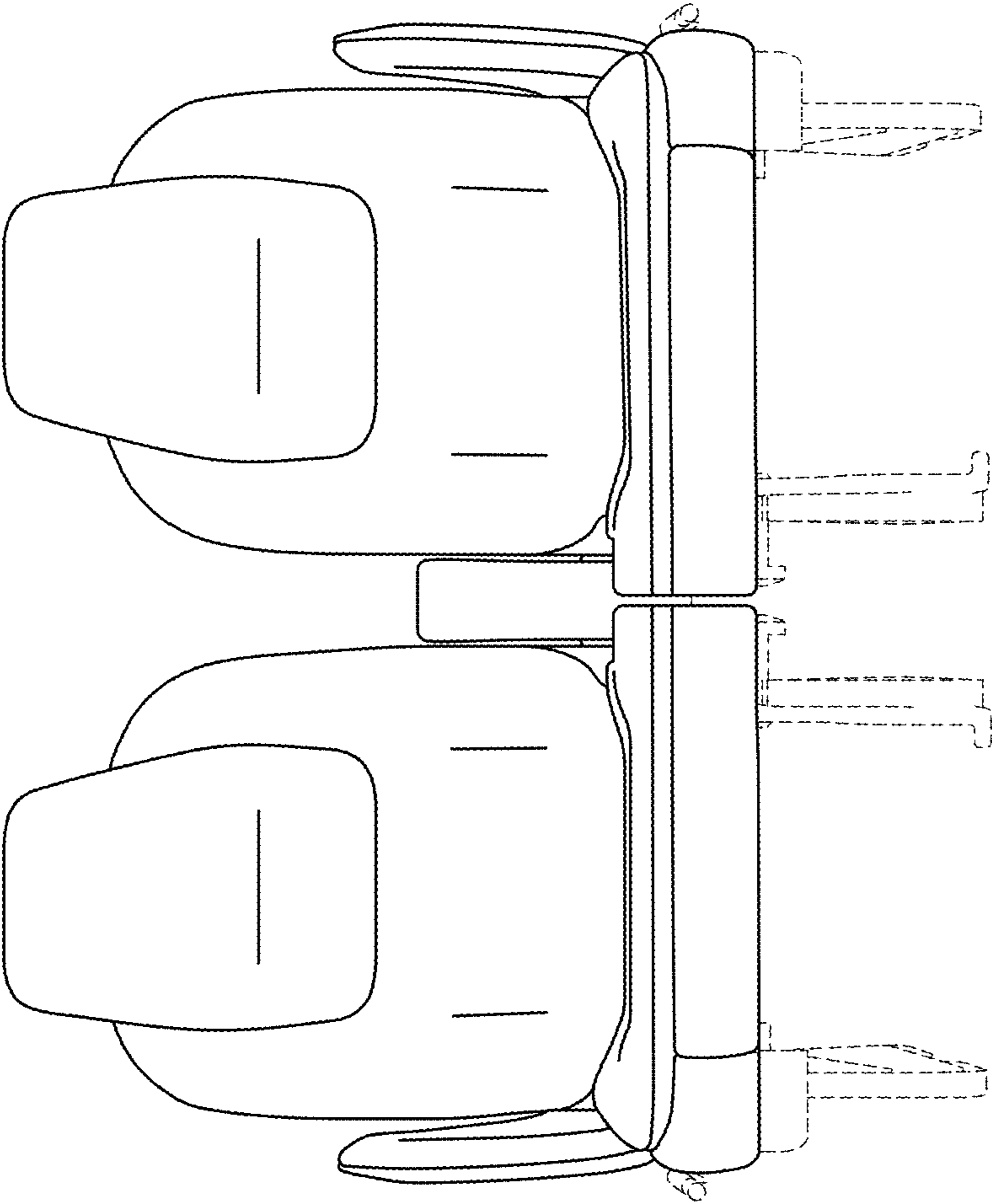


FIG. 1

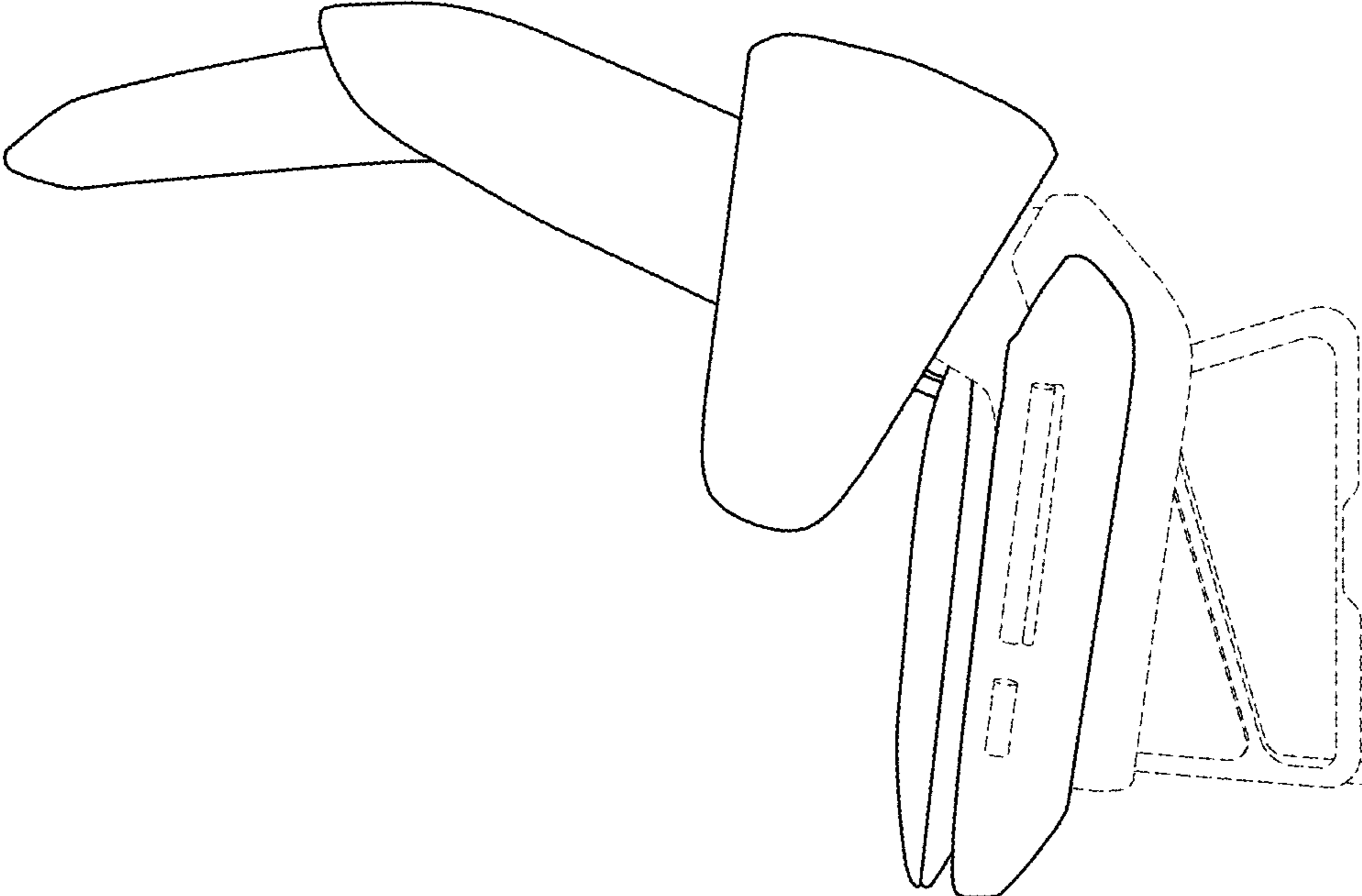


FIG. 2

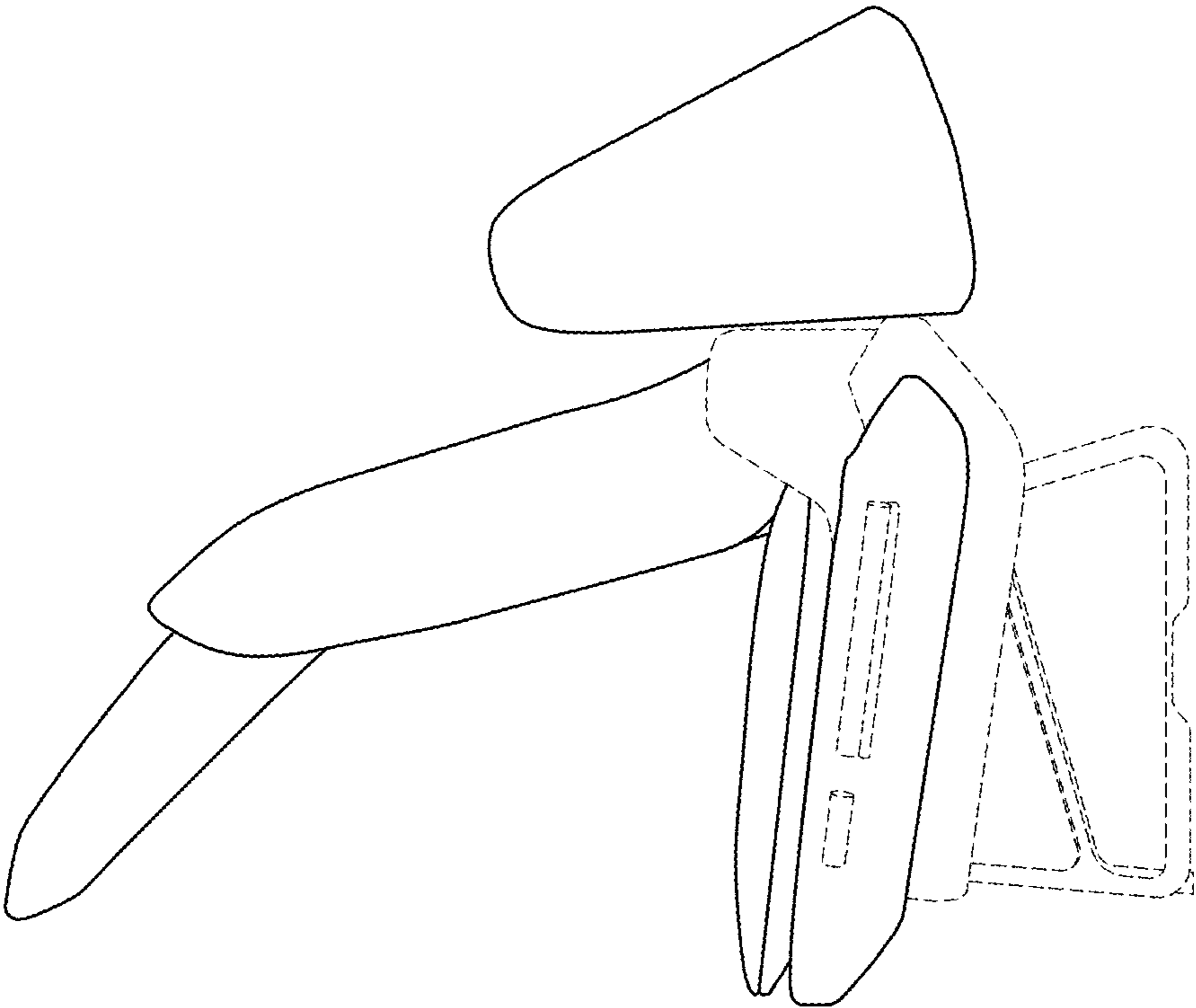


FIG. 3



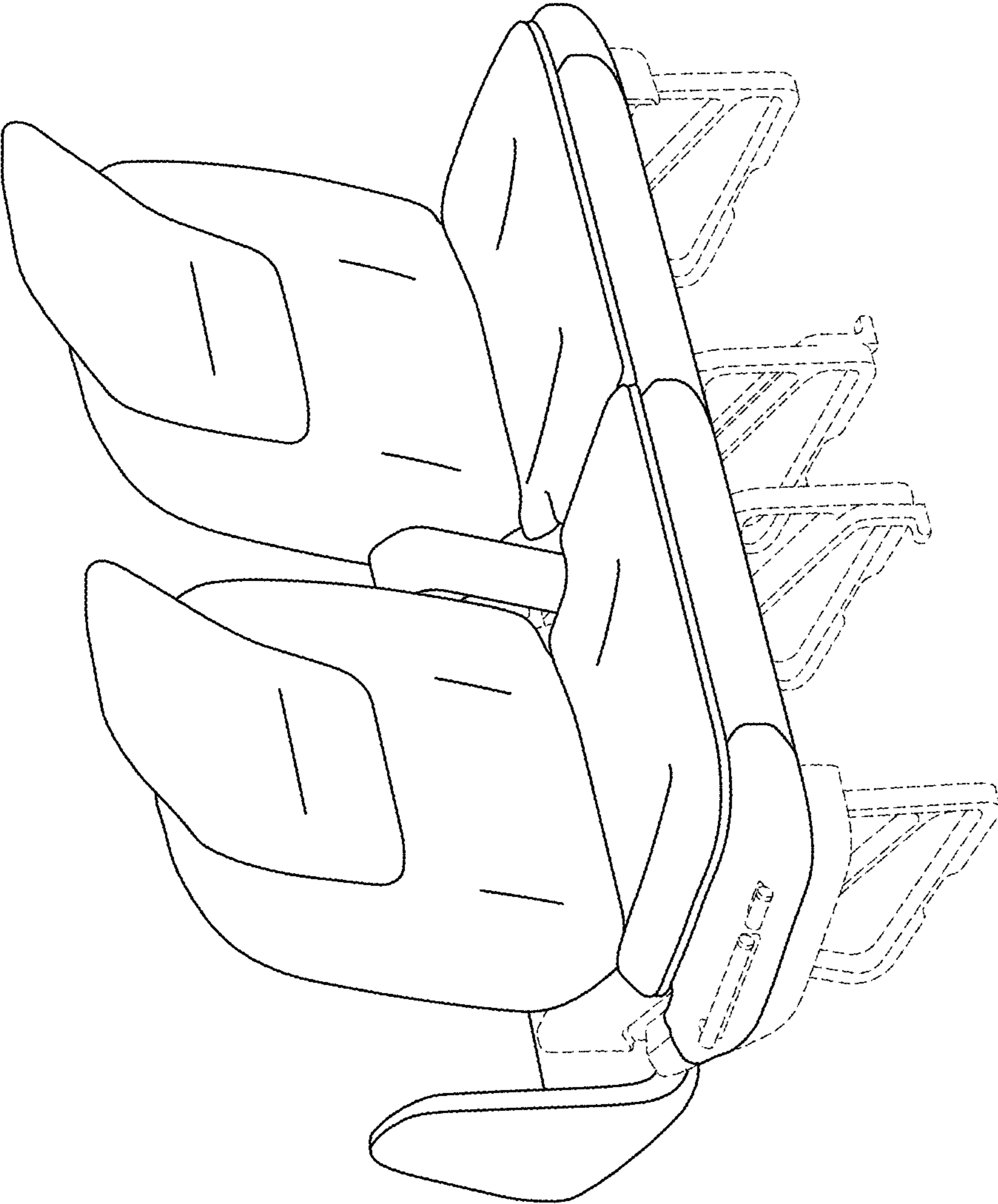


FIG. 4

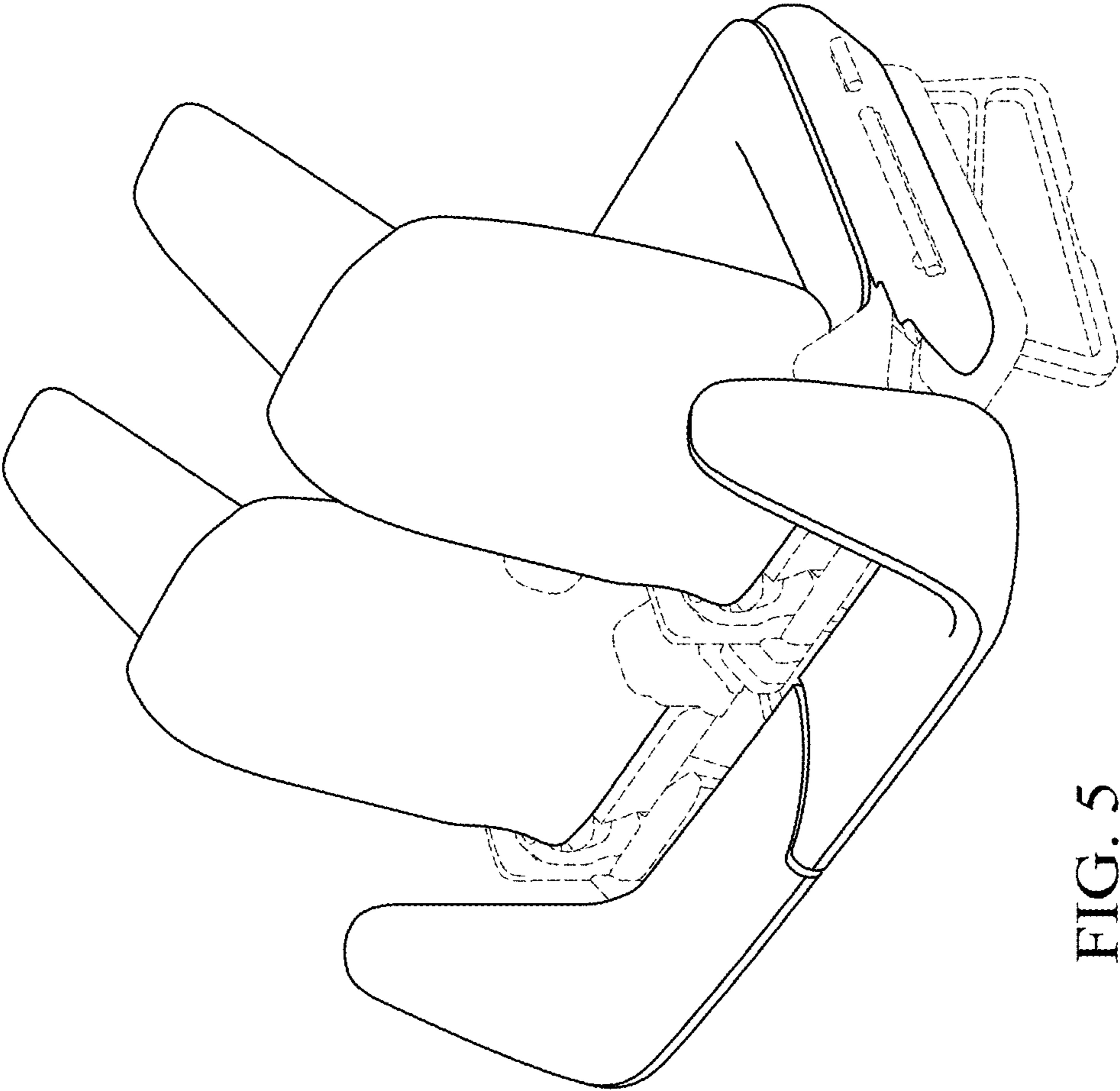


FIG. 5

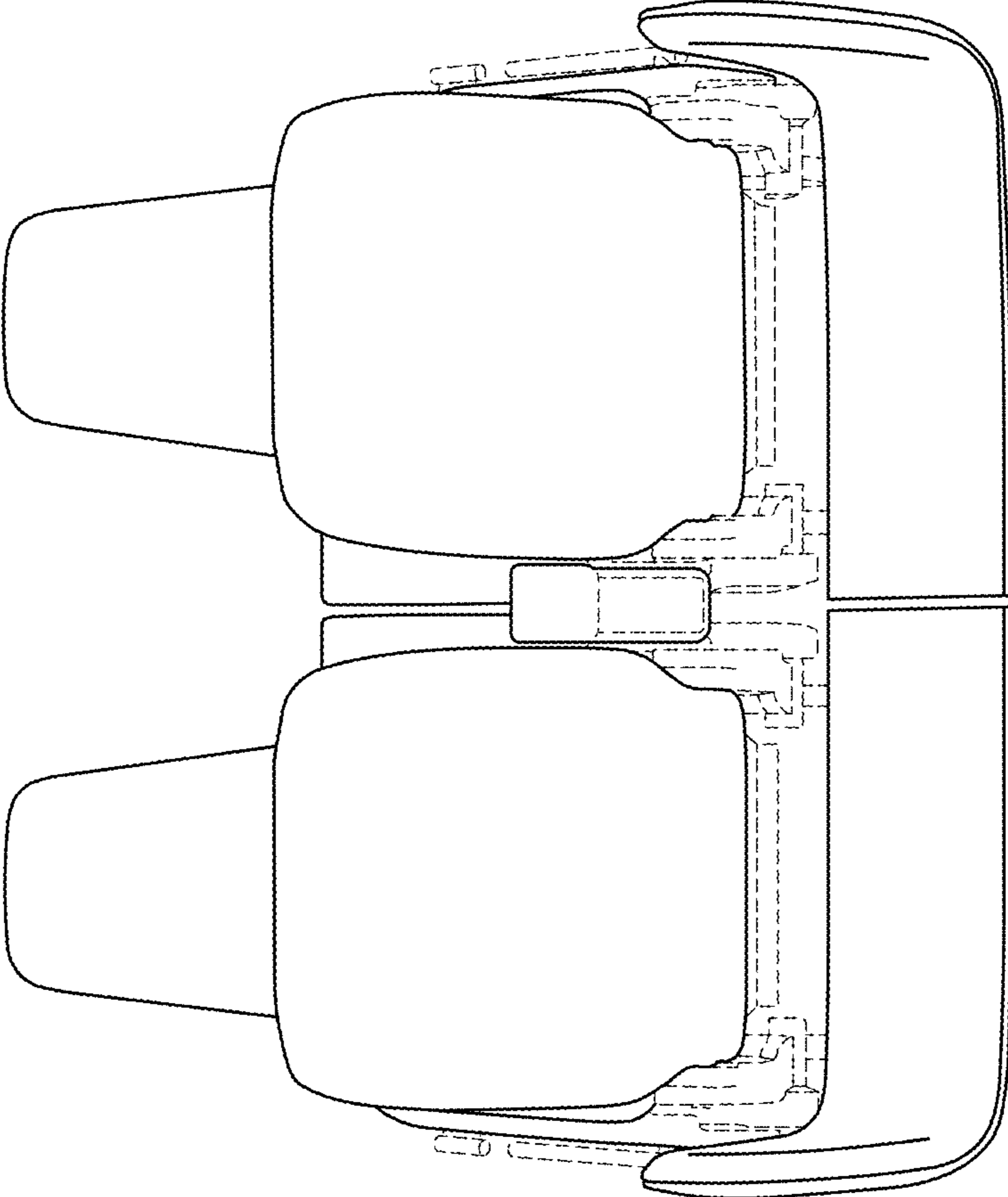


FIG. 6



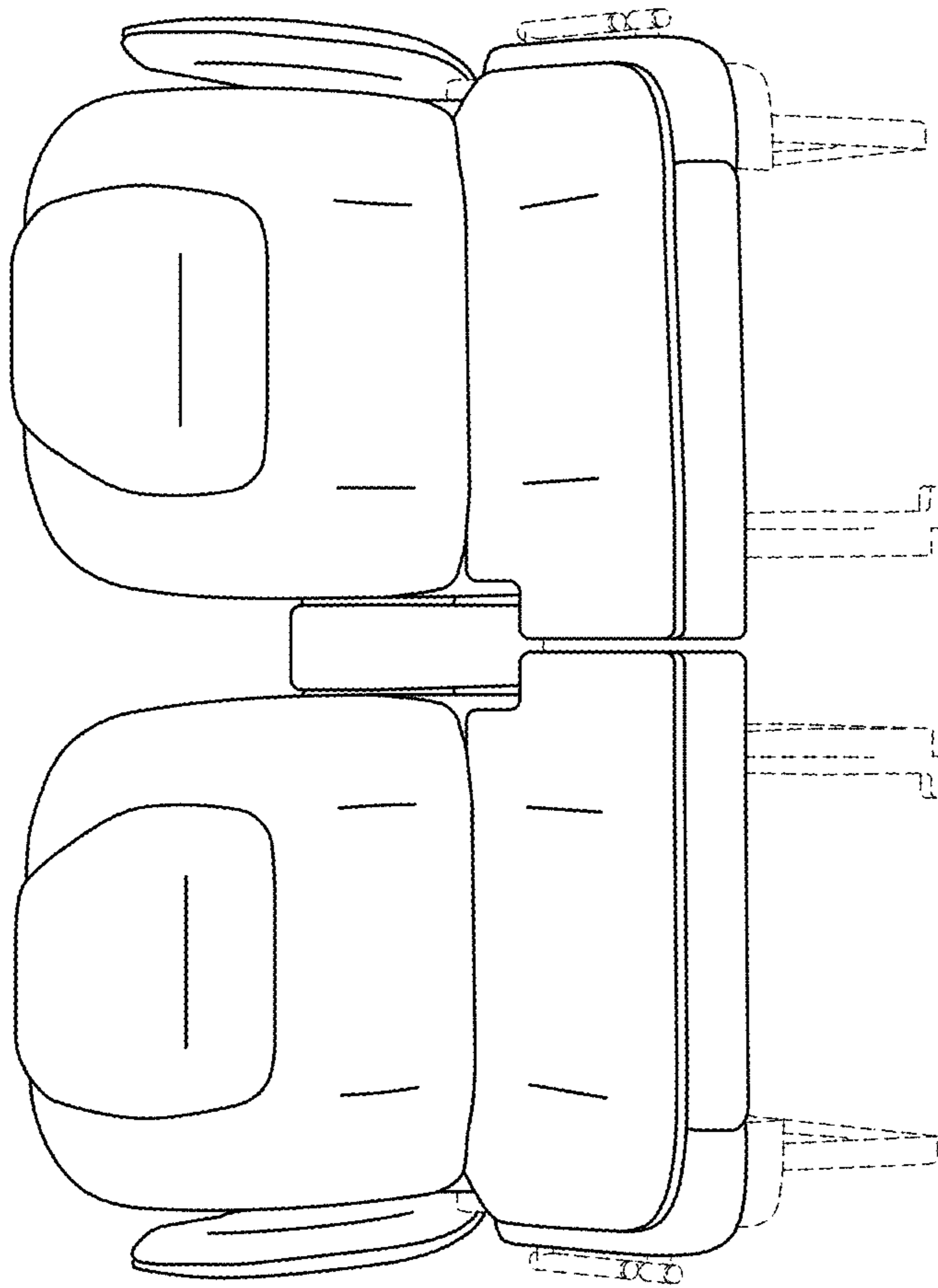


FIG. 7

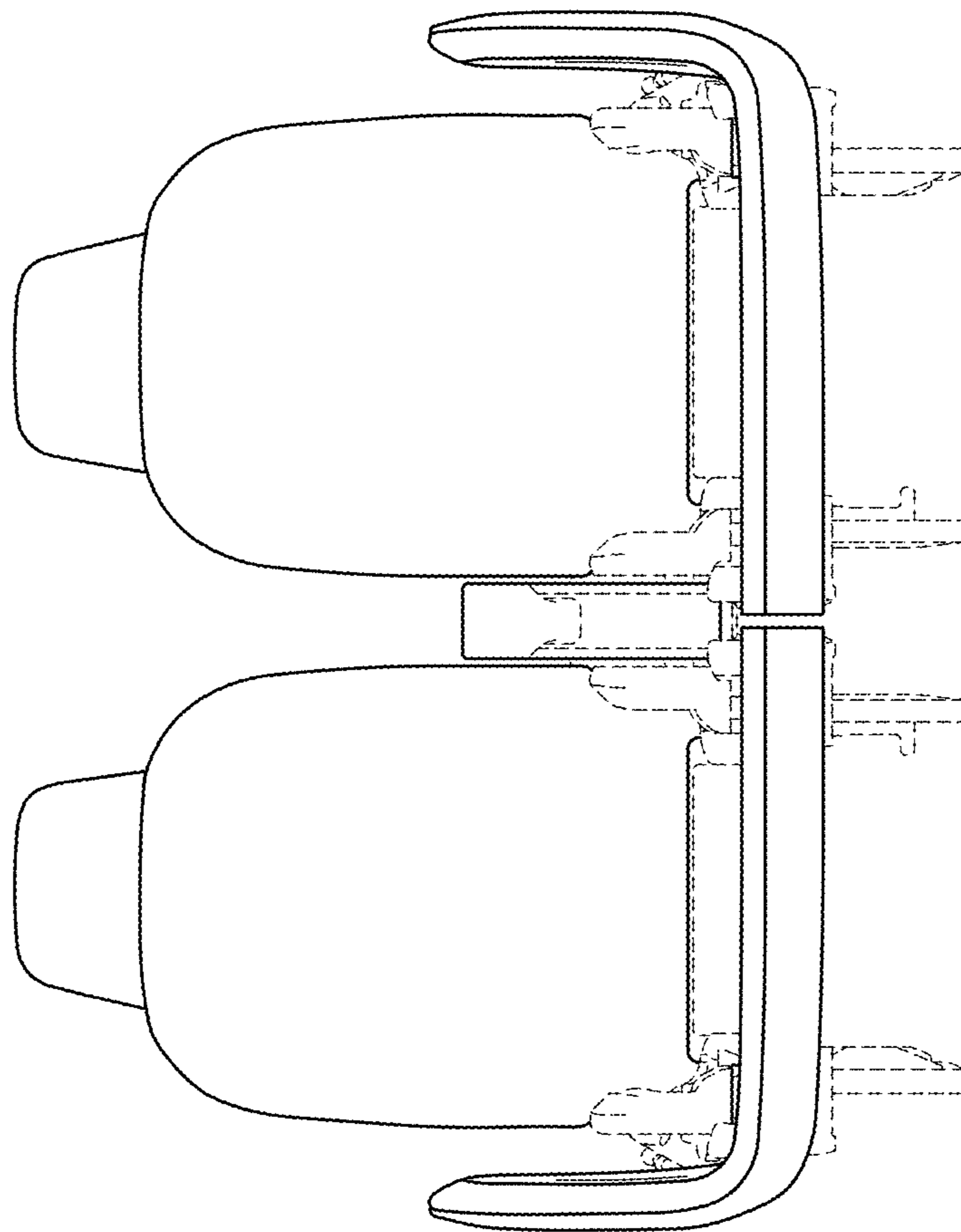


FIG. 8