



US00D970234S

(12) **United States Design Patent** (10) **Patent No.:** **US D970,234 S**
Mei (45) **Date of Patent:** **** Nov. 22, 2022**

(54) **HAT HOLDER**
(71) Applicant: **Silang Mei**, Shenzhen (CN)
(72) Inventor: **Silang Mei**, Shenzhen (CN)
(73) Assignee: **Silang Mei**, Shenzhen (CN)
(**) Term: **15 Years**
(21) Appl. No.: **29/849,734**
(22) Filed: **Aug. 12, 2022**
(51) **LOC (13) Cl.** **06-08**
(52) **U.S. Cl.**
USPC **D6/315**
(58) **Field of Classification Search**
USPC D6/315, 316, 319, 320, 323, 325, 326,
D6/327, 328, 682, 512, 513, 552, 553,
D6/567; D8/349, 367, 380, 381
CPC . A42B 1/002; A47F 7/06; A47F 7/143; A47G
25/10
See application file for complete search history.

D712,672 S * 9/2014 Farias, Jr. D6/323
10,264,896 B2 * 4/2019 Petner A47F 7/06
D882,968 S * 5/2020 Avendano D6/320
10,939,714 B2 * 3/2021 Giles A47F 7/06
D917,183 S 4/2021 Murray
2003/0226861 A1 * 12/2003 Frey A47G 25/10
223/14

OTHER PUBLICATIONS

Wall Mounted Hat Cap [online], [site visited Sep. 23, 2022].
Available from internet, URL: <<https://hat-tac.com/>> (Year: 2022).*

* cited by examiner

Primary Examiner — Cynthia Ramirez
Assistant Examiner — Xavier Marti-Santos
(74) *Attorney, Agent, or Firm* — Nitin Kaushik

(57) **CLAIM**

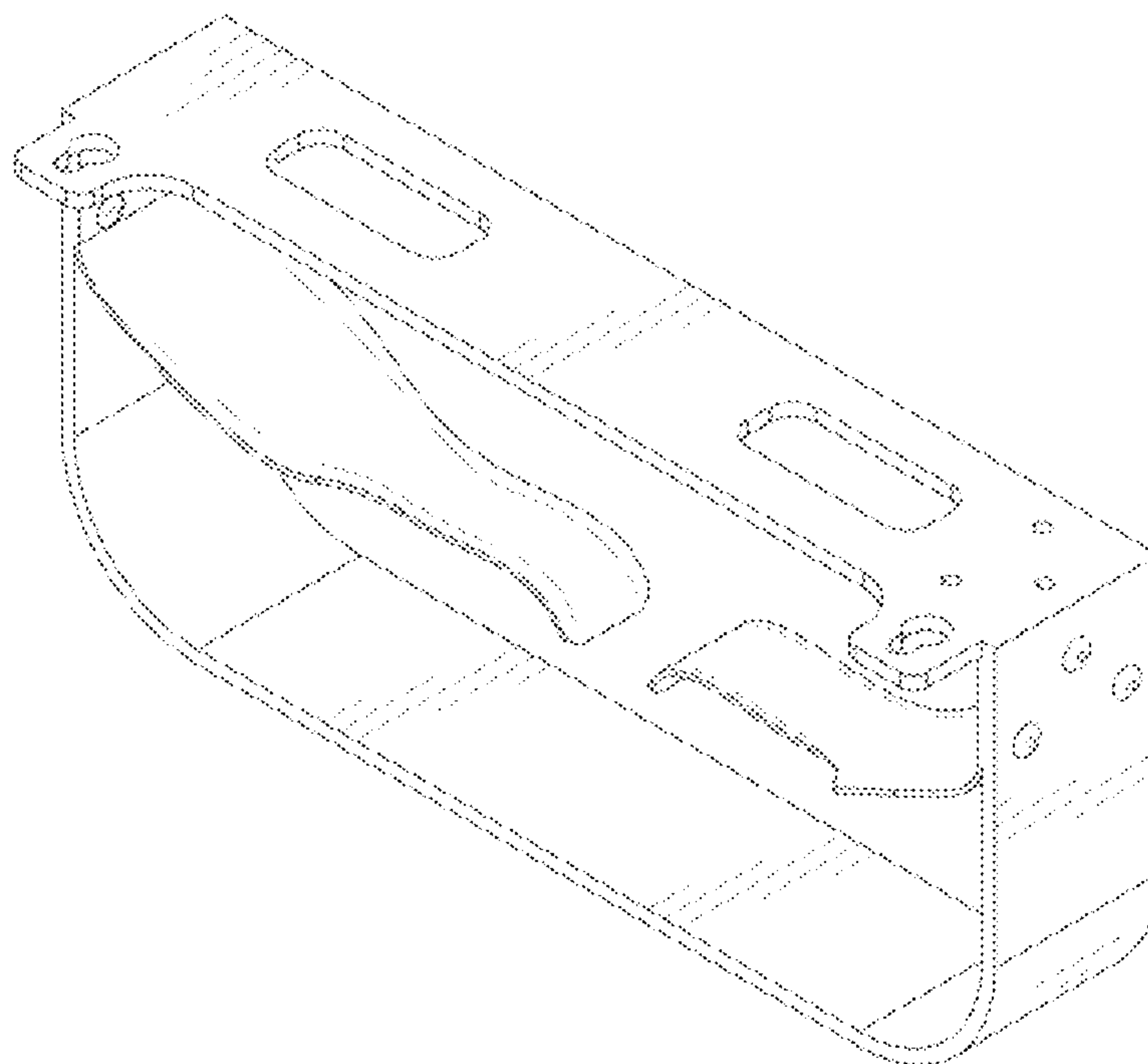
The ornamental design for a hat holder, as shown and described.

DESCRIPTION

FIG. 1 is a top perspective view of a hat holder, showing my new design;
FIG. 2 is a bottom perspective view thereof;
FIG. 3 is a front view thereof;
FIG. 4 is a rear view thereof;
FIG. 5 is a left side view thereof;
FIG. 6 is a right side view thereof;
FIG. 7 is a top view thereof; and,
FIG. 8 is a bottom view thereof.

1 Claim, 8 Drawing Sheets

(56) **References Cited**
U.S. PATENT DOCUMENTS
D281,203 S * 11/1985 Nystrom D6/320
4,641,756 A * 2/1987 Brown A47G 25/0657
211/85.3
D324,735 S * 3/1992 Collister D24/227
5,908,146 A * 6/1999 Levin A42B 1/002
223/24
D493,963 S * 8/2004 Alves D6/320
D609,080 S * 2/2010 Schorn D6/552
7,665,616 B1 * 2/2010 Hobbie A47F 7/06
211/31
D707,456 S * 6/2014 Farias, Jr. D6/323



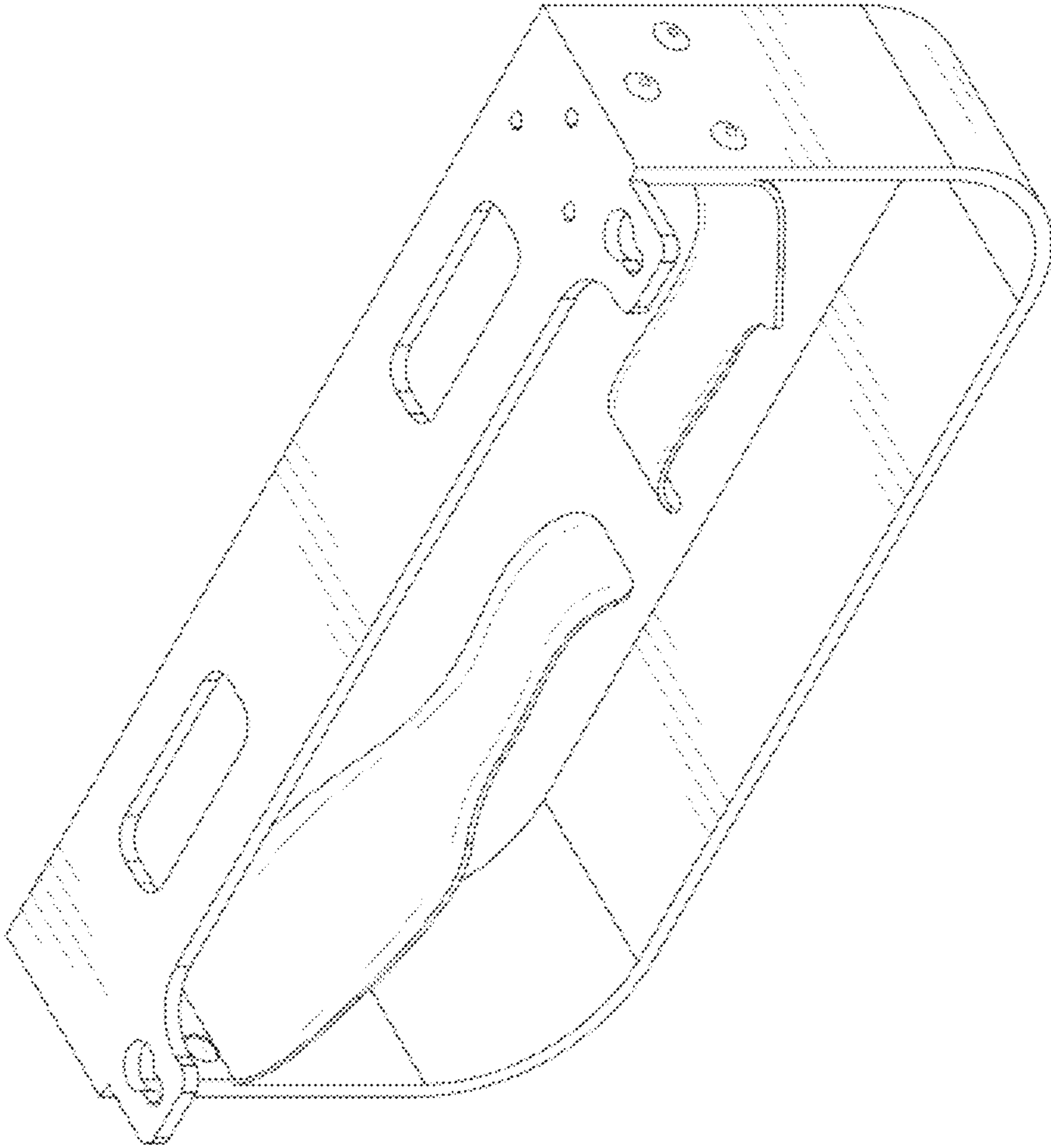


FIG. 1

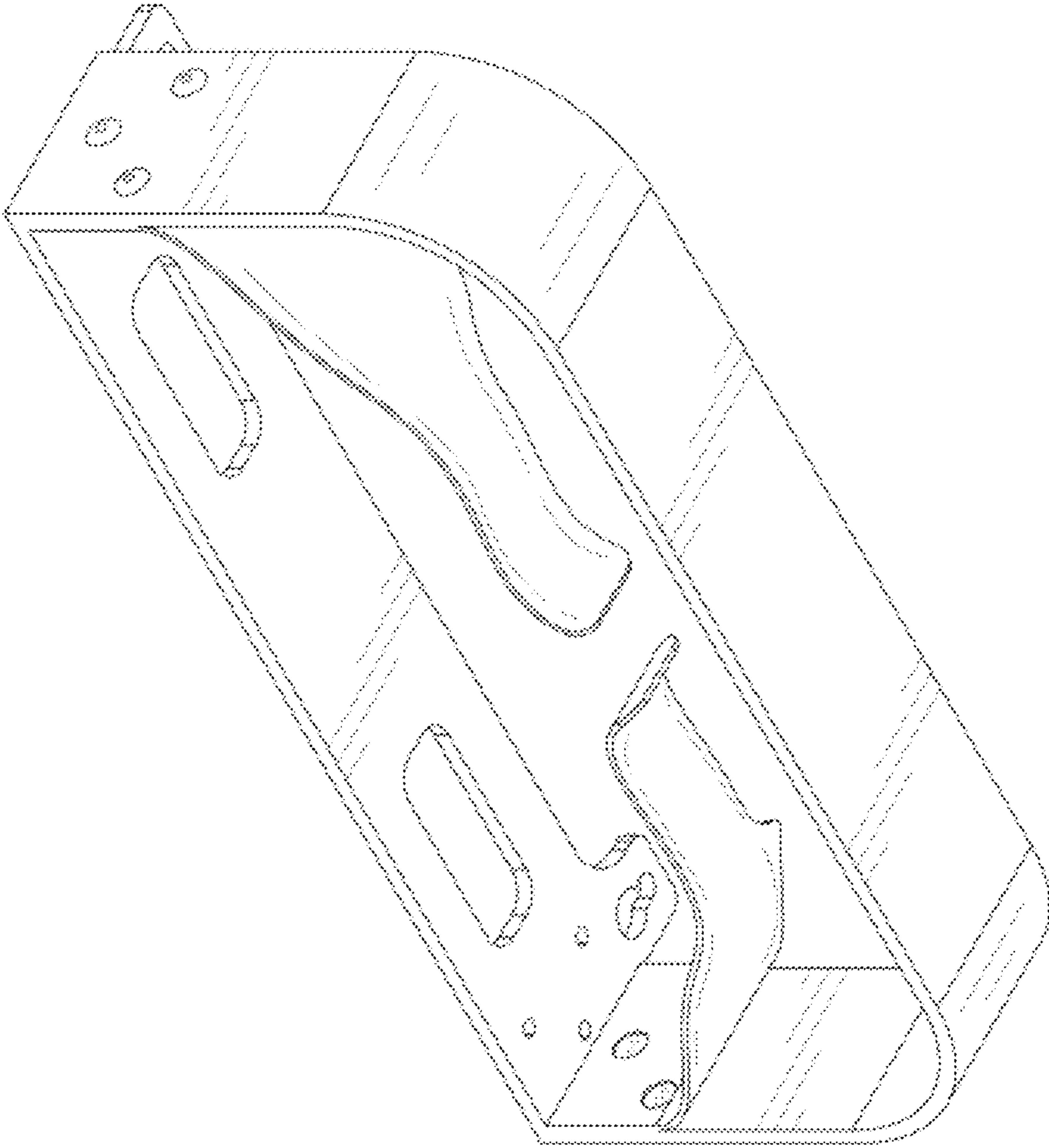


FIG. 2

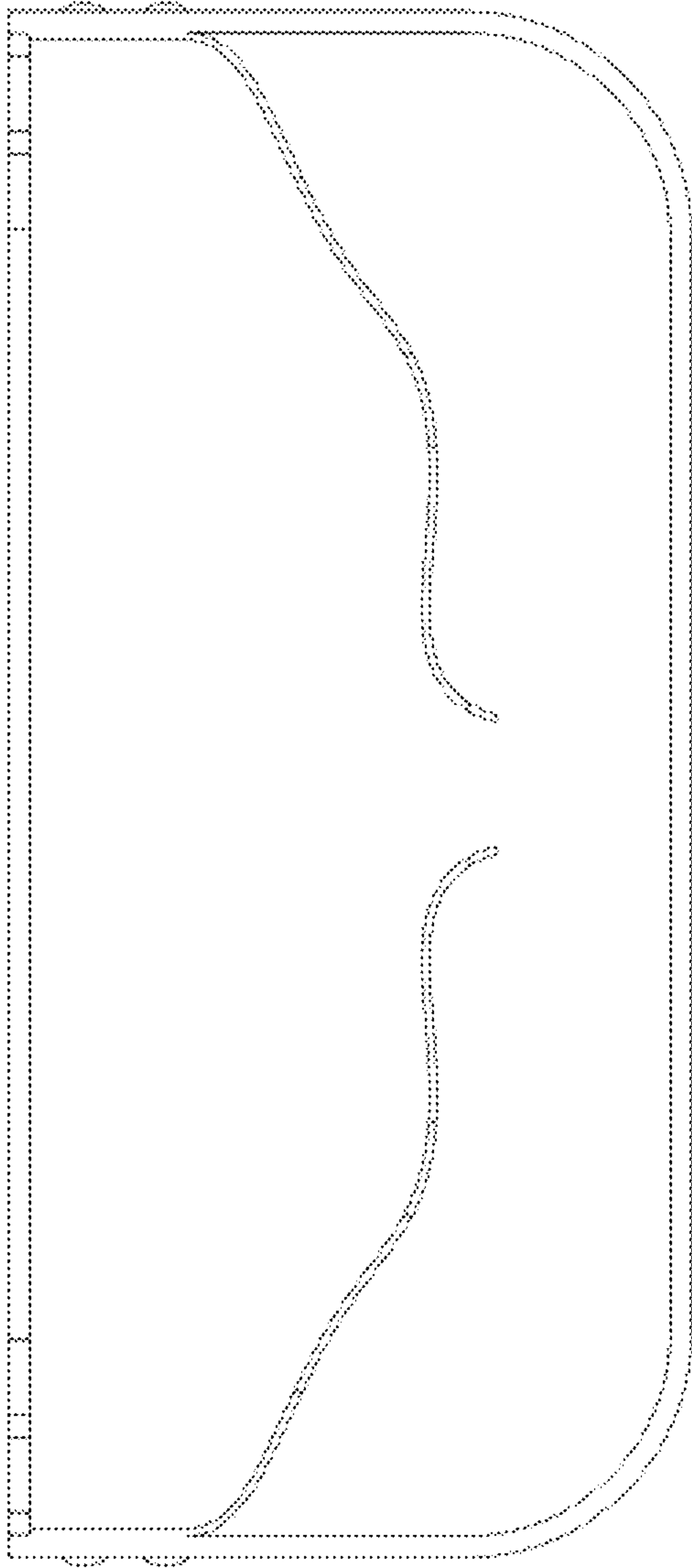


FIG. 3

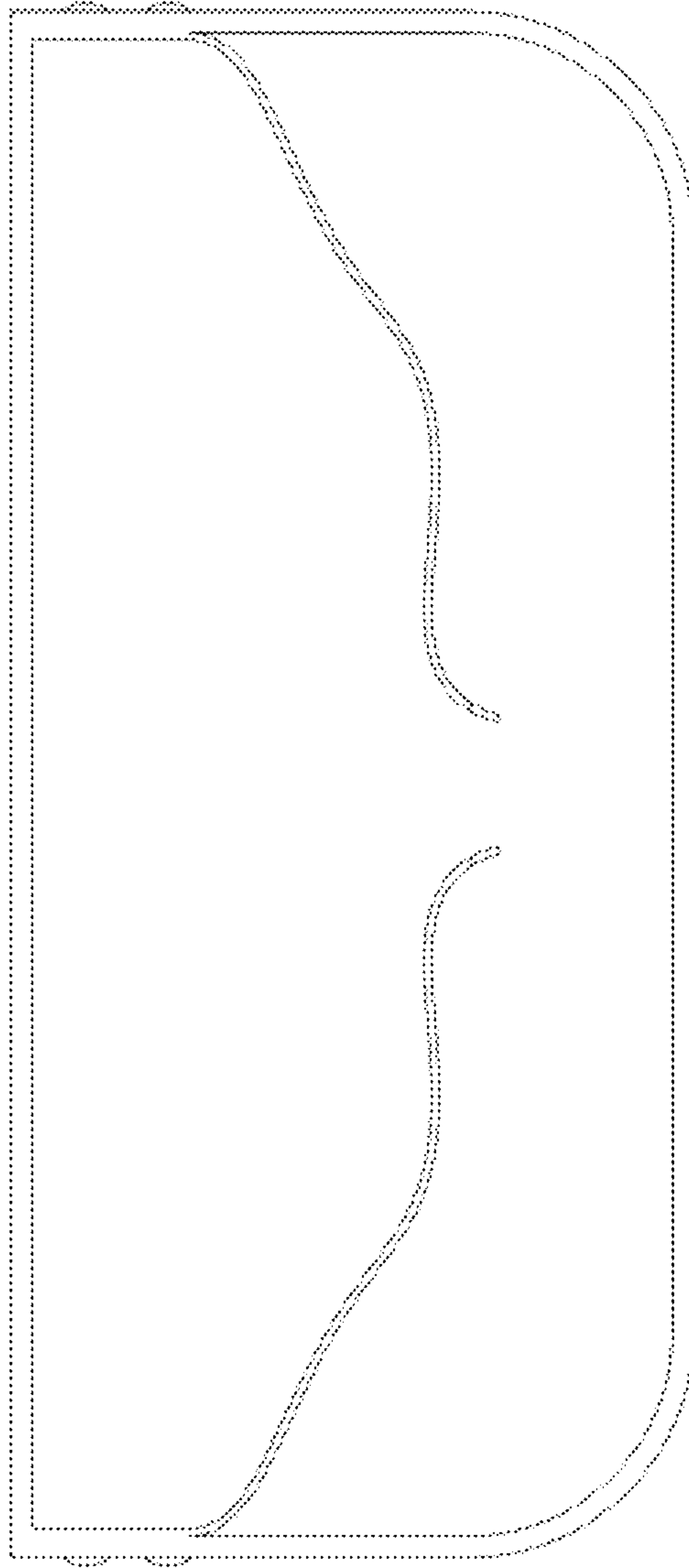


FIG. 4

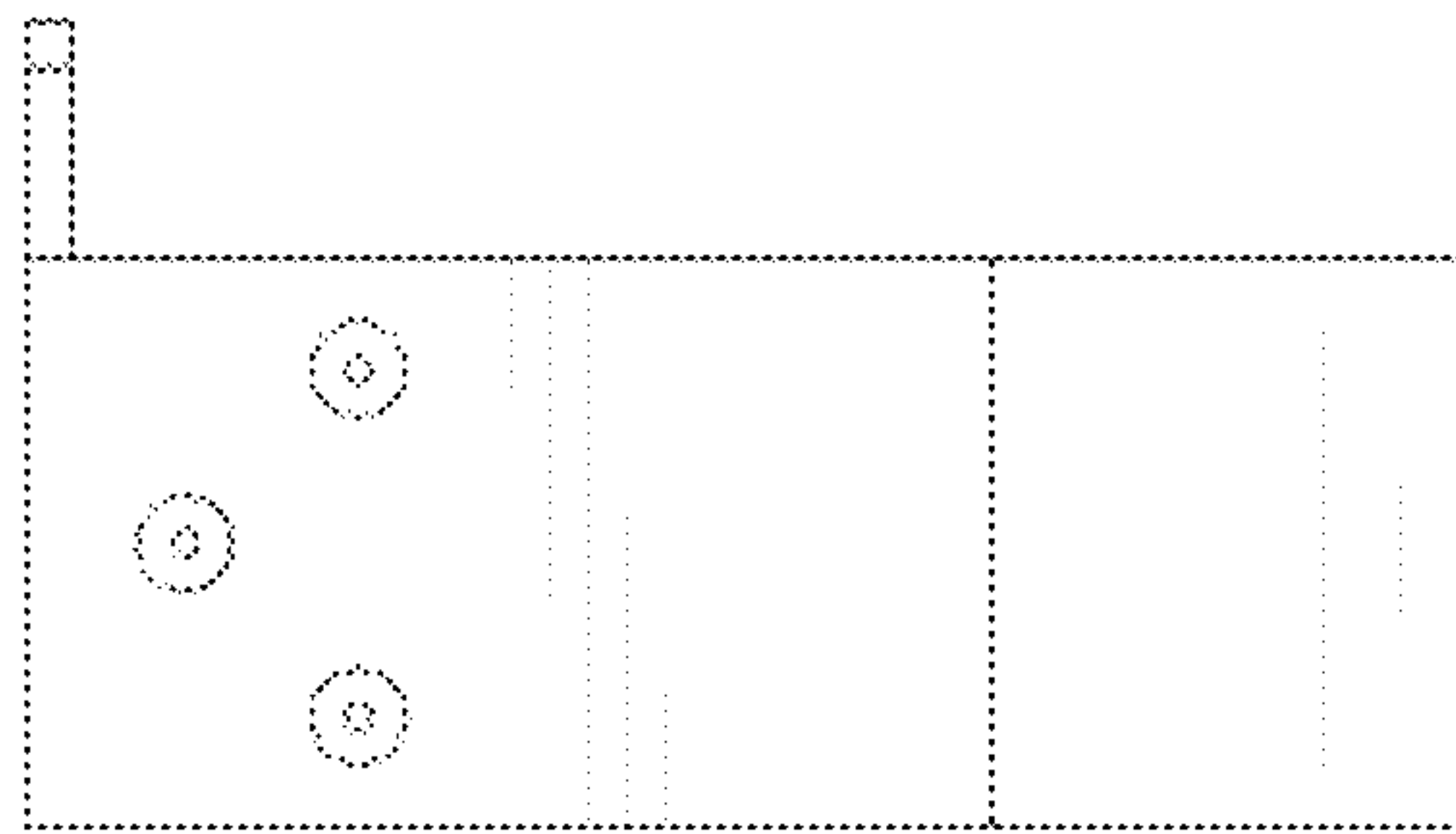


FIG. 5

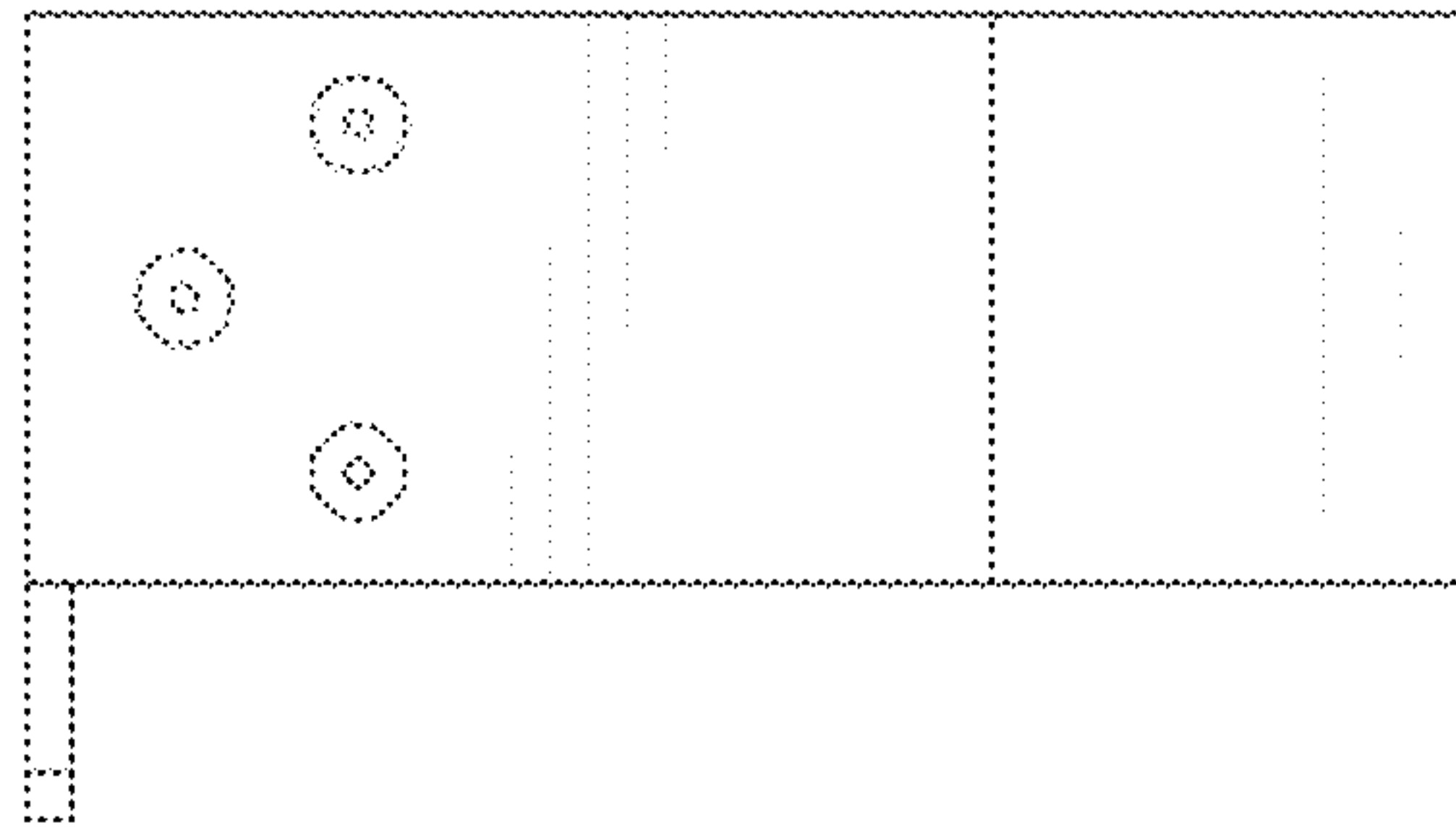


FIG. 6

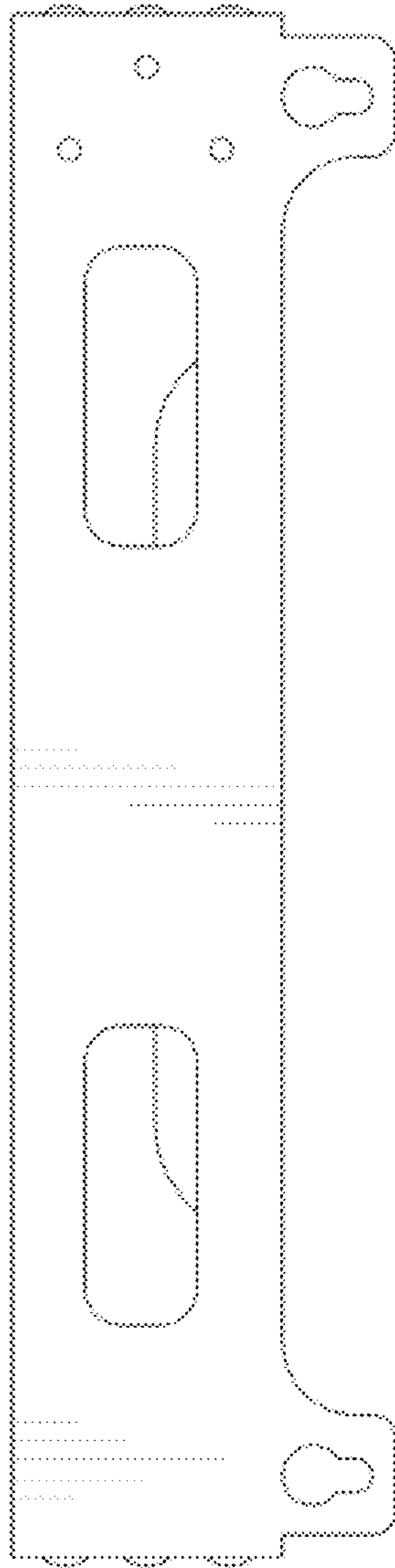


FIG. 7

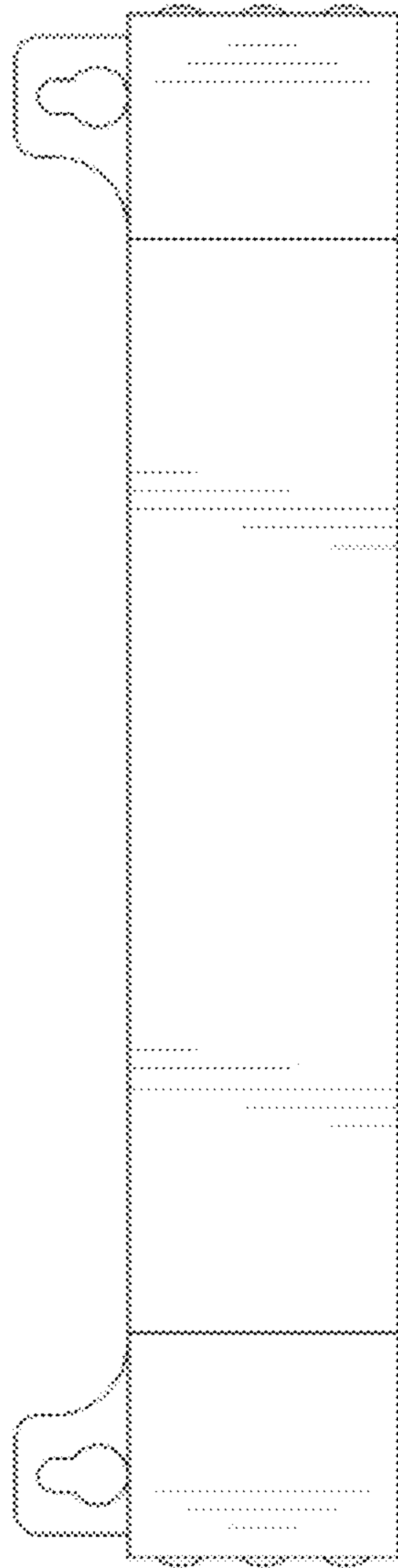


FIG. 8